



665 2WD / 665 DTC 4WD

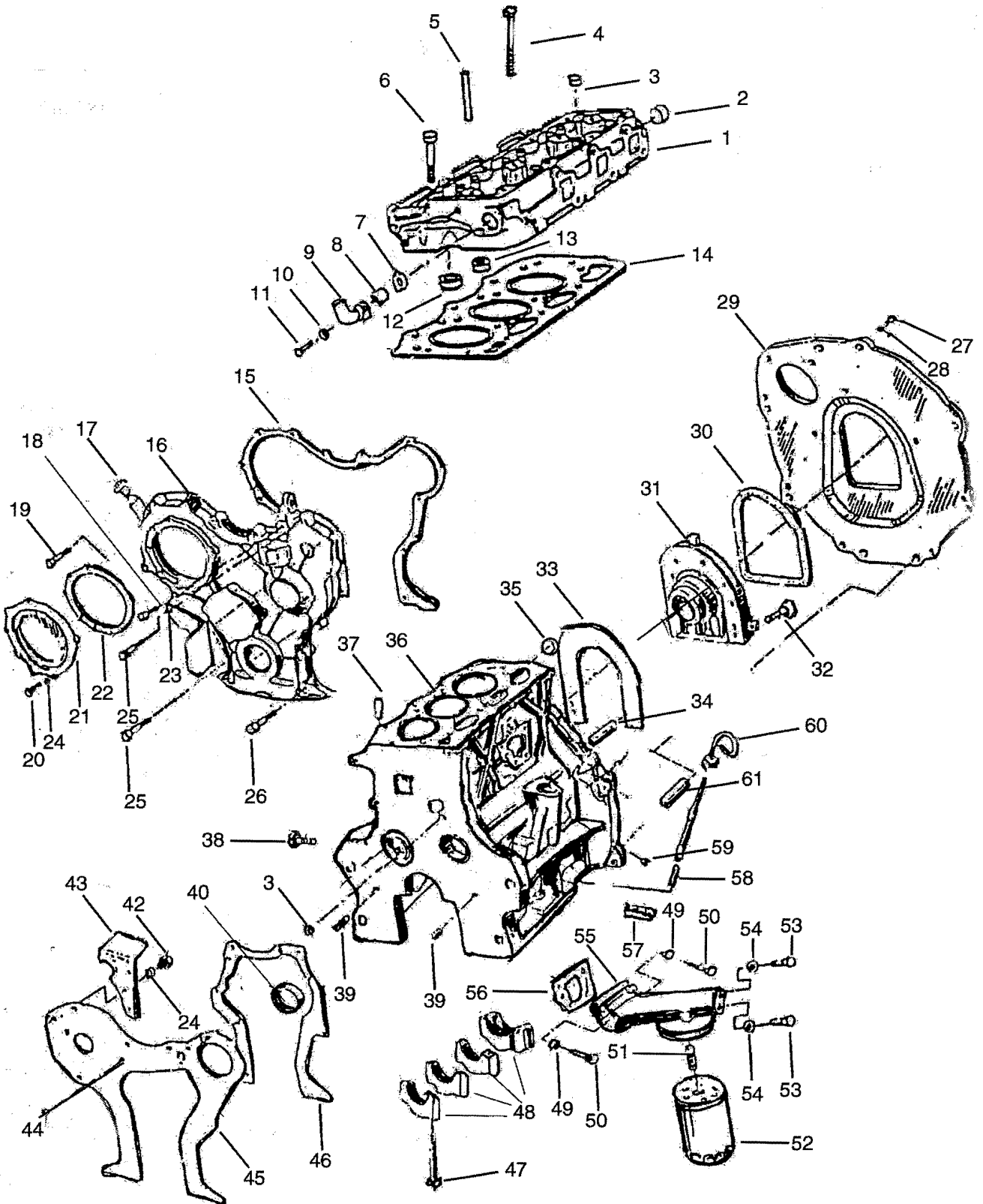
PART'S MANUAL

665 / 665 DTC

SECTION 1

ENGINE

665 / 665 DTC



CYLINDER BLOCK & CYLINDER HEAD

1:1

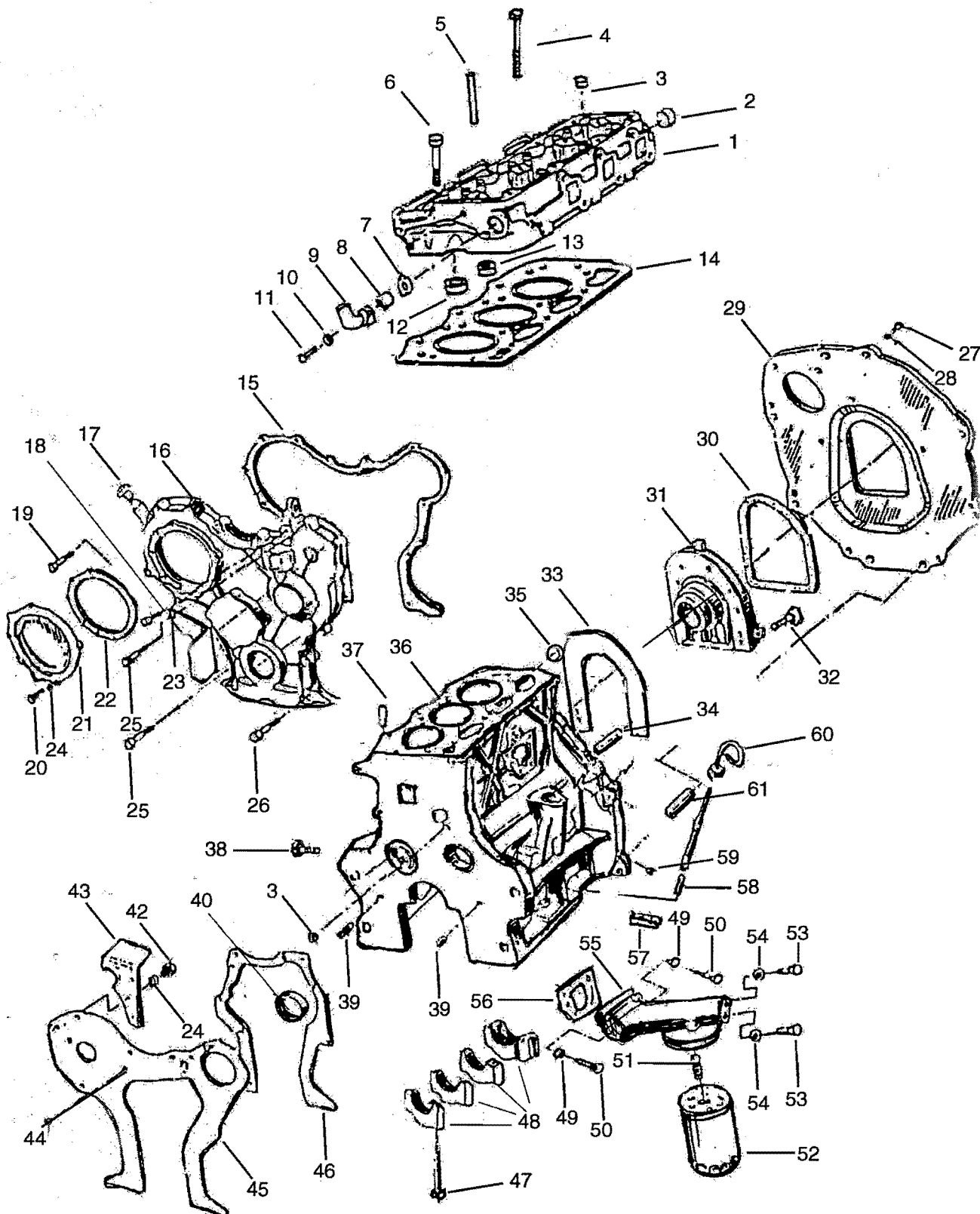
Ⓢ - SERIAL NUMBER BREAK, ↙ - INDICATES UP TO AND INCLUDING THAT SERIAL NUMBER

665 / 665 DTC

ITEM No.	PART No.	DESCRIPTION	VENDOR No.	QUANTITY	
				665 665 DTC	
1	ESL15194	Cylinder Head Assembly 665 (Includes items 2-4,12 and 13)	D10045340	1	1
2	390628S	Plug, (1.761) Cup	-	2	2
3	390624S	Plug, (1.12) Cup	-	4	4
4	ESL15204	Bolt, (M12x1.5x216) Cylinder Head	D10044570	4	4
5	ESL15225	Guide Valve	D10045010	6	6
6	ESL15203	Bolt, (M12x1.5x1.44) Cylinder Head	D10044580	10	10
7	ESL10502	Gasket Water Outlet	D10011760	1	1
8	ESL15207	Thermostart Assembly Water	-	1	1
9	ESL10503	Connection Water Outlet	D10011750	1	1
10	348065S	Washer, (5/16) Spring Lock	D10011770	2	2
11	ESL15208	Bolt, (M8x1.00x30-6.6) Hex Head	D10045190	2	2
12	ESL15196	Insert Intake Valve Seat	D10045040	3	3
13	ESL15199	Insert Exhaust Valve Seat	D10045030	-	-
14	ESL15205	Gasket Cylinder Head	D10044810	1	1
15	ESL13324	Gasket Cylinder Block Front Cover	D10010870	1	1
16	ESL15217	Cover Timing Gear	D10045020	1	1
17	ESL10060	Cap Engine Lube Oil Filter Tube	D10010930	1	1
18	304760S8	Bolt, (3/8-16x1.50) Hex Head	-	1	1
19	300878S8	Bolt, (5/16-18x2.50)Hex Head	-	3	3
20	304648S8	Bolt, (5/16-18x0.75) Hex Head	-	6	6
21	ESL13691	Cover Fuel Injection Pump Timing	D10044730	1	1
22	ESL15222	Gasket Timing Cover	D10044780	1	1
23	ESL10076	Deflector Fan Air LH	-	1	1
24	34806S8	Washer, (5/16) Spring Lock	-	12	12
25	300880S8	Bolt, (3/8-16x2.50) Hex Head	-	2	2
26	58639S8	Bolt, (3/8-16x2.25) Hex Head	-	8	8
27	304650S8	Bolt, (3/8-16x0.75) Hex Head	-	3	3
28	34807S8	Washer, (3/8) Spring Lock	-	3	3
29	ESL15220	Plate Engine Rear	D10044600	1	1
30	ESL15221	Gasket Rear Plate	D10044860	1	1
31	ESL15224	Carrier Seal Rear Oil Seal	D10061670	1	1
32	304682S8	Bolt, (5/16-18x1.00) Hex Head	-	8	8
33	ESL15223	Gasket Seal Carrier	D10044770	1	1
34	ESL15231	Pin Plain Dowel	D10044760	1	1
35	390626S	Plug, (1.50) Cup	-	5	5
-	390629S36	Plug, (1.814) Cup	-	AR	AR

CYLINDER BLOCK & CYLINDER HEAD

665 / 665 DTC



CYLINDER BLOCK & CYLINDER HEAD

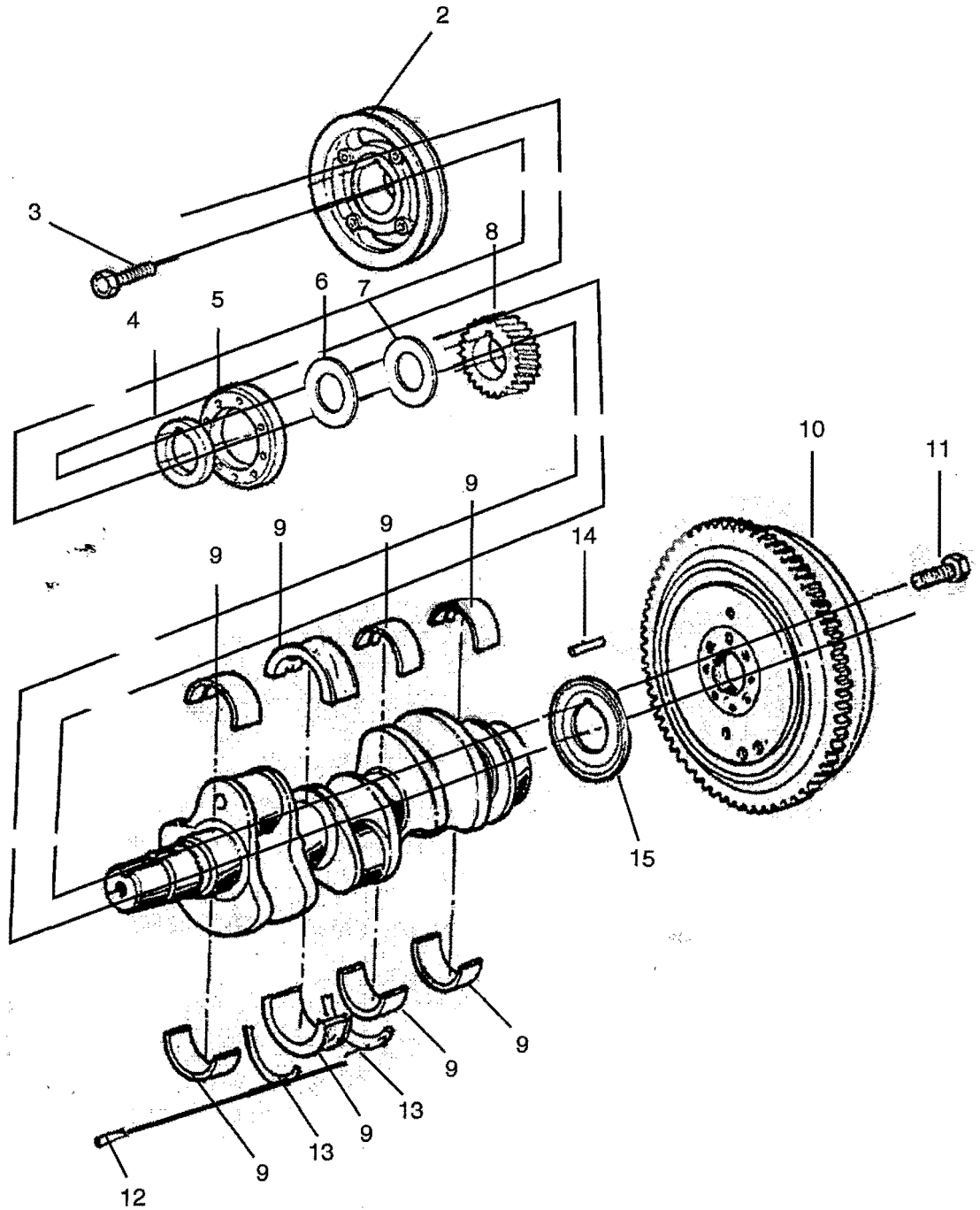
665 / 665 DTC

ITEM No.	PART No.	DESCRIPTION	VENDOR No.	QUANTITY 665 665 DTC	
36	ESL15244	Plug Oil Pan Drain	D10061670	1	1
37	ESL10120	Dowel Cyl. Head to Block Cyl.	D10010280	2	2
38	87651S8	Plug, (1/4-18) Pipe	-	1	1
39	73329S	Pin, (3/8x1.125) Plain Dowel	-	2	2
40	ESL15215	Bearings Camshaft	D10010150	1	1
41	ESL15222	Gasket Timing Cover	D10044780	1	1
42	337975S8	Nut, (5/16-18) Hex	-	3	3
43	ESL10079	Deflector Pan Air RH	D10010890	1	1
44	45964S8	Bolt, (5/16-18x.75) Hex Head	-	4	4
45	ESL15218	Plate Engine Front Cover	D10047860	1	1
46	ESL15219	Gasket Engine Front Cover	D10047860	1	1
47	ESL13691	Bolt, (9/16-12x4.45) Hex Head	D10044730	8	8
48	ESL15245	Gasket Water Pump	D10044720	1	1
49	387887S8	Nut, (3/8-16) Hex	-	-	-
50	ESL15234	Bolt, (M8x1.25x60-6.6) Hex Head	D10043930	4	4
51	ESL10082	Insert Oil Filter Mounting	-	1	1
52	ESL10083	Filter Assembly Lube Oil	D10017600	1	1
53	ESL15229	Plug Oil Filter Body	D10044970	2	2
54	ESL15230	Washer Oil Filter Body	D10044940	2	2
55	ESL15226	Bracket Oil Filter Mounting	D10044960	1	1
56	ESL15227	Gasket Oil Filter Mounting	D10044800	1	1
57	ESL10072	Cover Flywheel Access	D10044780	1	1
58	ESL10052	Tube Oil Level Indicator	D10048250	1	1
59	304682S8	Plug, (3/8-18) Hex Head	-	1	1
60	ESL15216	Indicator Assembly Oil Level	D10048250	1	1
61	300866S8	Bolt, (5/16-18x2.12) Hex Head	-	1	1

Service Kits:

A	ESL15369	Engine Assembly 665	D10047820	1	1
B	ESL15575	Engine Assembly w/elec: 665	-	1	1
C	ESL15523	Engine Overhauling Gasket Set	-	1	1
D	ESL15567	Decarbonizing Kit 665	-	1	1
E	ESL15520	Engine Plug Kit Std	-	1	1
F	ESL15521	Engine Plug Kit Oversized	-	-	-
G	ESL15564	Engine Overhauling Kit 665-010	-	1	1
H	ESL15565	Engine Overhauling Kit 665-020	-	1	1
I	ESL15566	Engine Overhauling Kit 665-030	-	1	1

665 / 665 DTC



CRANKSHAFT & FLYWHEEL ASSEMBLY



ENGINE

665 / 665 DTC

ITEM No.	PART No.	DESCRIPTION	VENDOR No.	QUANTITY	
				665 665 DTC	
1	ESL15396	Crankshaft and Gear Assy. (Includes item # 8)	D10048090	1	1
2	ESL12623	Pulley Crankshaft	D10039630	1	1
3	ESL15248	Bolt, (M10x1.50x45-10.9)	D10044910	5	5
4	ESL15249	Spacer Crank Shaft Pulley	D10044880	1	1
5	ESL15237	Seal Crankshaft Front	D10044410	1	1
6	ESL15250	Seal 'O' Ring, (0.103x1.75)	D10010400	1	1
7	ESL15238	Seal Crankshaft Rear	D10044550	1	1
8	ESL15251	Gear Crankshaft	D10047880	1	1
9	ESL15385	Main Bearing Set (consists of 4 pairs of main bearings)	-	1	1
10	ESL15397	Flywheel Assembly	D10047870	1	1
11	ESL15255	Bolt Flywheel Mounting	D10044590	2	2
12	ESL15256	Dowel Thrust Washer	D10044750	2	2
13	ESL15257	Washer Thrust	D10044740	1	1
14	ESL15258	Dowel Flywheel	D10044920	1	1
15	ESL15238	Seal Crankshaft Rear	D10044550	1	1

Service Kits:

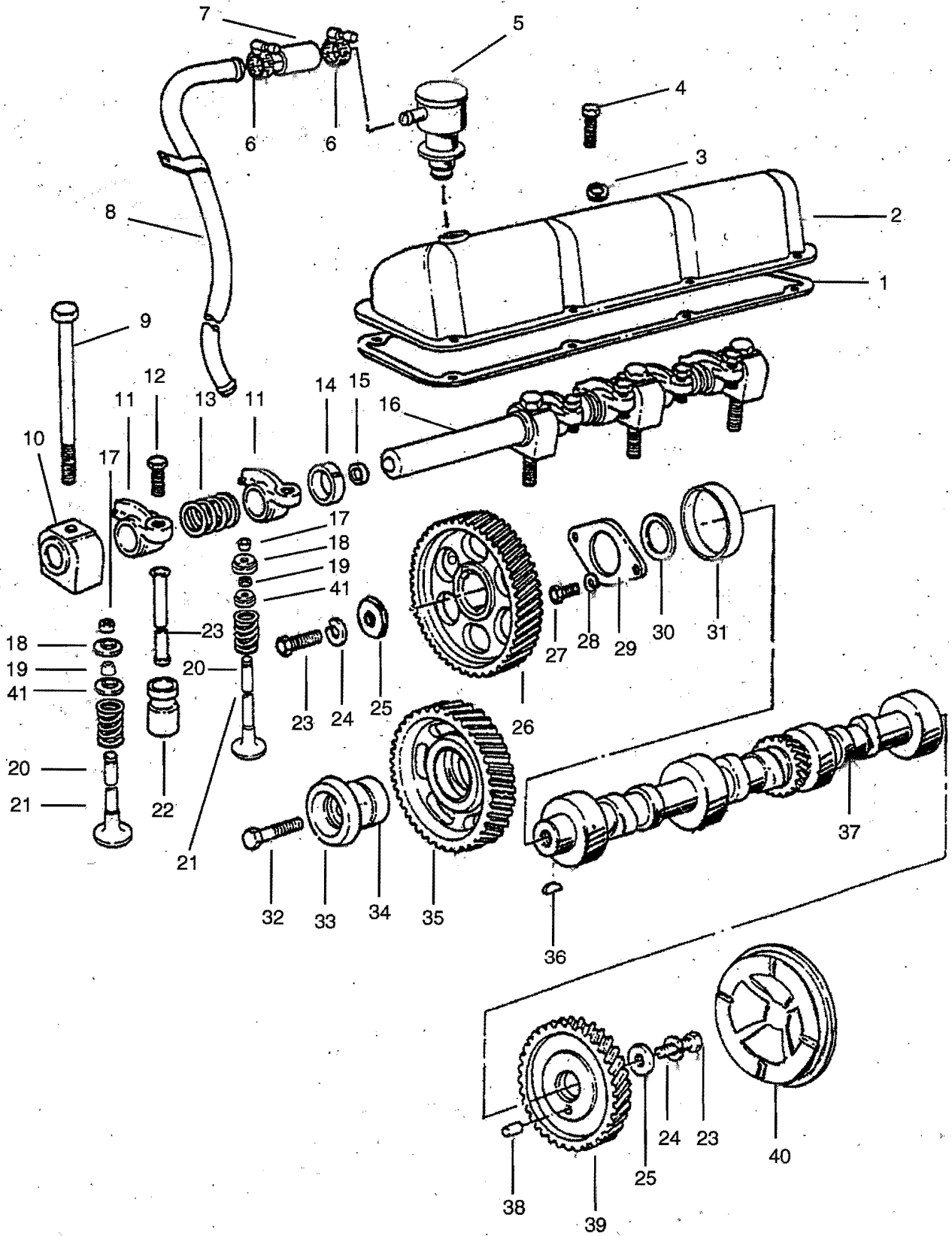
A	ESL15384	Engine Bearing Set 10 o/s (consists of Main Bearings and Rod Bearings for an engine)	-	1	1
B	ESL15540	Engine Bearing Set 20 o/s	-	1	1
C	ESL15541	Engine Bearing Set 30 o/s	-	1	1
D	ESL15542	Engine Bearing Set 40 o/s	-	1	1

CRANKSHAFT & FLYWHEEL ASSEMBLY

Ⓢ - SERIAL NUMBER BREAK ,

↙ - INDICATES UP TO AND INCLUDING THAT SERIAL NUMBER

665 / 665 DTC



CAMSHAFT & ROCKER ARM

1:7

© - SERIAL NUMBER BREAK, ↙ - INDICATES UP TO AND INCLUDING THAT SERIAL NUMBER



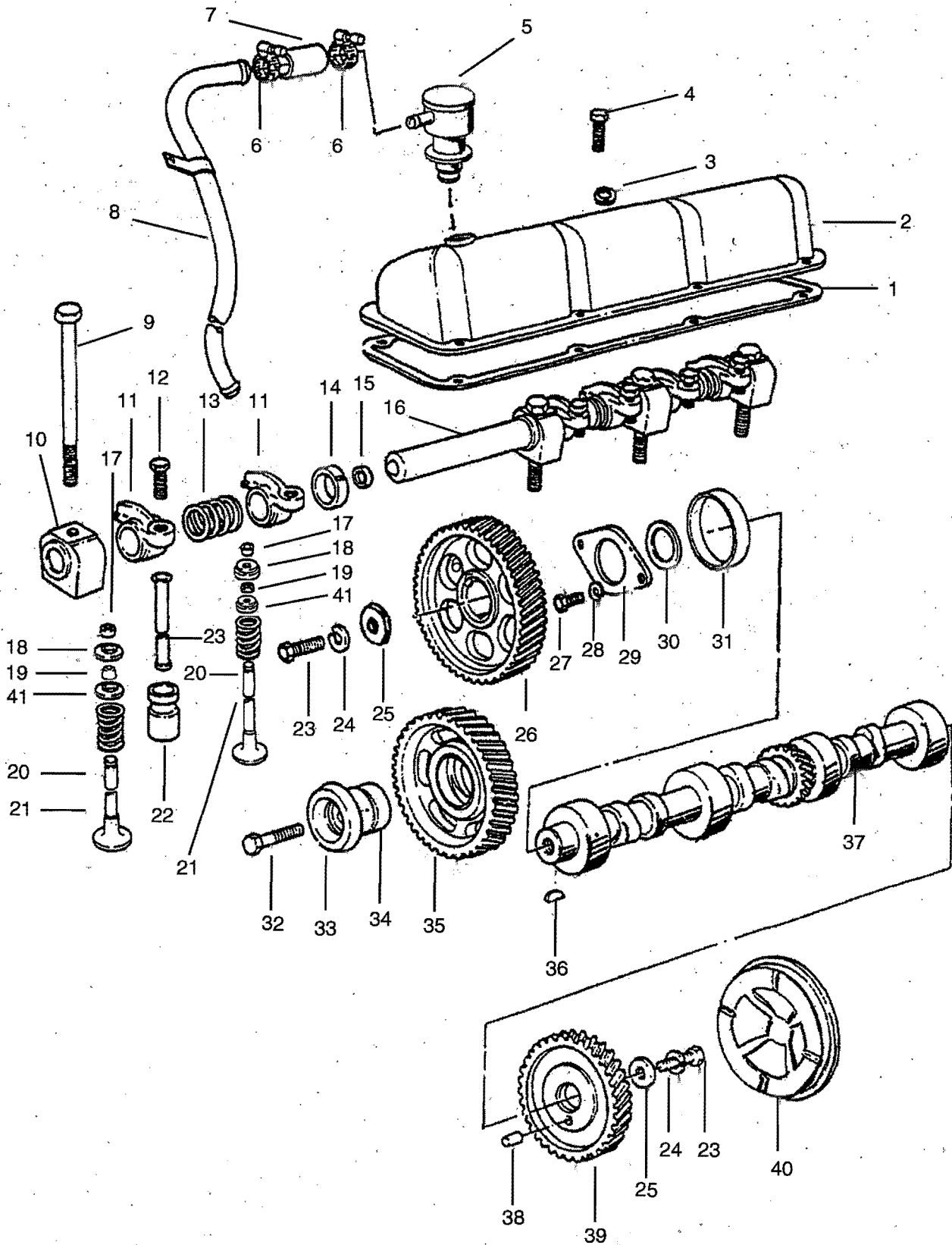
ENGINE

665 / 665 DTC

ITEM No.	PART No.	DESCRIPTION	VENDOR No.	QUANTITY 665 665 DTC	
1	ESL15273	Gasket Valve Rocker Arm	D10044820	1	1
2	ESL15272	Cover Valve Rocker Arm	D10045090	1	1
3	N630173S8	Washer M8 Spring Lock	-	8	8
4	ESL15274	Bolt, (M8x1.25x20-8.8) Hex Head	D81500110	8	8
5	ESL15282	Breather Assembly Crank Case	D10045270	1	1
6	ESL15281	Clamp Hose	D10102430	2	2
7	ESL15518	Hose Breather Assembly	D10102400	1	1
8	ESL15519	Tube Assembly Crankcase Vent	D10045260	-	-
9	ESL15264	Bolt, M12x1.5x216) Cylinder Head	D10044570	4	4
10	ESL15263	Support Valve Rocker	D10045080	4	4
11	ESL10168	Kit Rocker Arm W/Screw	D10075030	6	6
12	ESL10131	Screw, (7/16-20) Valve Rocker Arm	D10011640	6	6
13	ESL10134	Spring Valve Rocker	D10011590	3	3
14	ESL10135	Spacer Valve Rocker	D10011600	3	3
15	ESL10046	Plug, (0.761) Cup	-	2	2
16	ESL10132	Shaft Valve Rocker	D10011560	1	1
17	ESL15270	Key Valve Spring Retainer	D10045200	-	-
18	ESL15269	Retainer Valve Spring Upper	D10045050	6	6
19	ESL15271	Seal Valve Stem	D10045060	6	6
20	ESL15268	Spring Valve	D10044890	3	3
21	ESL15346	Valve Set Exhaust 5 o/s	-	3	3
-	ESL15547	Valve Set Exhaust 10 o/s	-	3	3
-	ESL15548	Valve Set Exhaust 15 o/s	-	3	3
-	ESL15267	Valve Air Intake	-	3	3
-	ESL15549	Valve Air Intake 5 o/s	-	3	3
-	ESL15550	Valve Air Intake 10 o/s	-	3	3
-	ESL15551	Valve Air Intake 15 o/s	-	3	3
22	ESL15260	Tappet Valve	-	6	6
23	ESL15262	Rod Valve Push	D10044510	6	6
24	34808S8	Washer, (7/16) Spring Lock	D10045070	3	3
25	ESL11644	Washer Cam Shaft	D10010520	3	3
26	ESL15277	Gear Cam Shaft	D10047890	1	1
27	304648S8	Bolt, (5/16-18x0.75) Hex Head	D81000200	2	2
28	ESL11975	Washer, (5/16) Spring Lock	D86000040	2	2
29	ESL10152	Plate Camshaft Thrust	D10010490	1	1
30	ESL10150	Spacer Cam Washer	D10010480	1	1
31	ESL15213	Cam Bush Set	D93100020	1	1
32	ESL11922	Bolt, (5/8-11x2.125) Hex Head	D81000570	1	1
33	ESL10147	Adapter Cam Shaft	D10010560	1	1
34	ESL10146	Bush Cam Shaft Drive Gear	D10020980	1	1

CAMSHAFT & ROCKER ARM

665 / 665 DTC



CAMSHAFT & ROCKER ARM

1:9

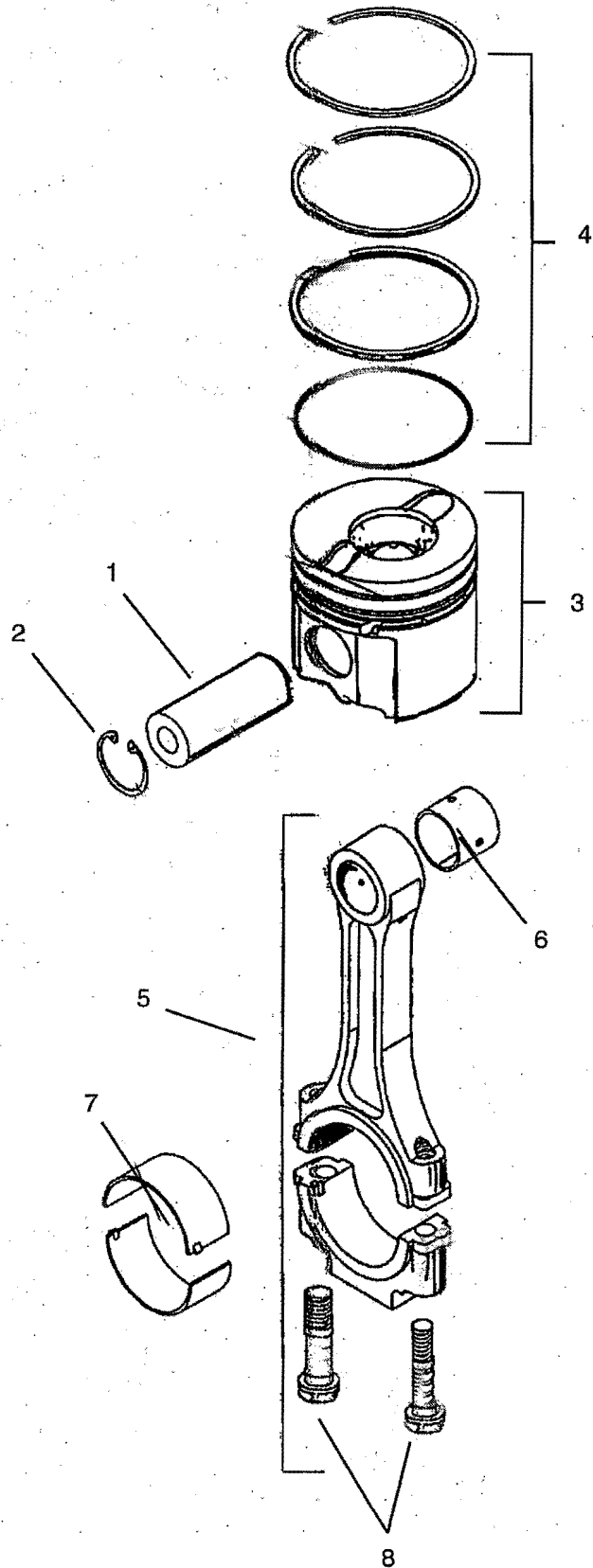
Ⓢ - SERIAL NUMBER BREAK, ↙ - INDICATES UP TO AND INCLUDING THAT SERIAL NUMBER

665 / 665 DTC

<i>ITEM No.</i>	<i>PART No.</i>	<i>DESCRIPTION</i>	<i>VENDOR No.</i>	<i>QUANTITY</i> 665 665 DTC
35	ESL15276	Gear Crank Shaft Drive Assembly	D10047900	1 1
36	74178S8	Key, (3/16x3/4) Woodruff	-	3 3
37	ESL15275	Cam Shaft	D10044400	1 1
38	ESL10155	Pin, (5/16x0.625) Dowel	-	1 1
39	ESL15278	Gear Assembly Cam Shaft, Hydraulic Pump	D10059240	1 1
40	ESL10156	Cover Camshaft Hydraulic, Pump Drive	D10010340	1 1
-	ESL10145	Gear Assembly Camshaft Drvie	D10020950	1 1
41	ESL15279	Retainer Valve Spring Lower	D10044900	6 6

CAMSHAFT & ROCKER ARM

665 / 665 DTC



PISTON & CONNECTING ROD



ENGINE

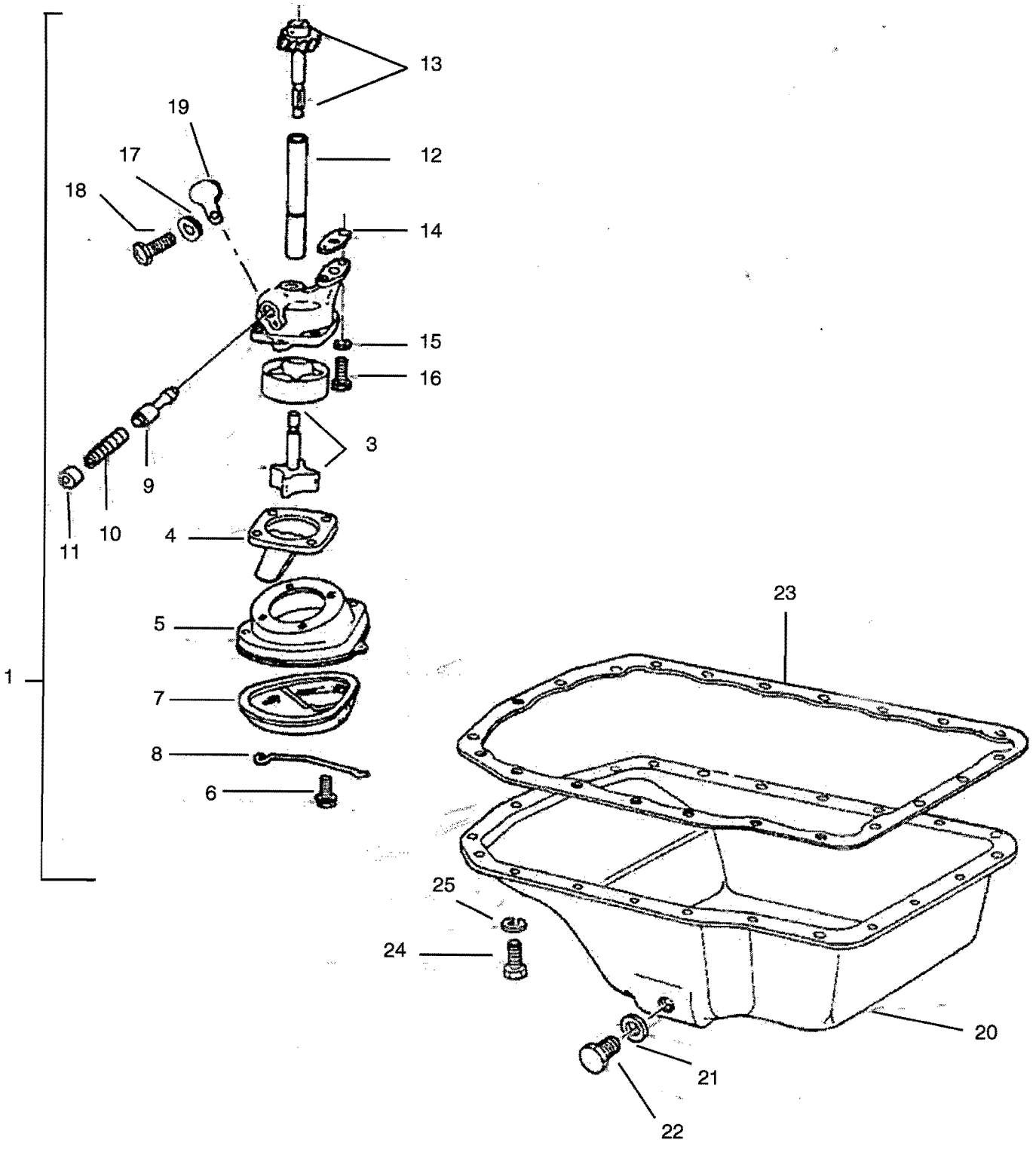
665 / 665 DTC

<i>ITEM No.</i>	<i>PART No.</i>	<i>DESCRIPTION</i>	<i>VENDOR No.</i>	<i>QUANTITY</i> 665 665 DTC	
1	ESL15284	Pin Piston	D10044660	3	3
2	ESL15285	Ring Retaining	D10045100	6	6
3	ESL15602	Piston Set 665	D10028490A	1	1
4	ESL15552	Ring Set 665	D10047490	-	-
5	ESL15603	Rod Assy. Connecting	D10044430	3	3
6	ESL15296	Bush Set Connecting Rod	D10044990	1	1
7	ESL15297	Connecting Rod Bearing Set	D10045000	1	1
-	ESL15553	Connecting Rod Bearing Set 10 o/s	-	1	1
-	ESL15554	Connecting Rod Bearing Set 20 o/s	-	1	1
-	ESL15555	Connecting Rod Bearing Set 30 o/s	-	1	1
-	ESL15556	Connecting Rod Bearing Set 40 o/s	-	1	1
8	ESL15299	Bolt, (M12x69-10.9) Con. Rod	D10044560	6	6

PISTON & CONNECTING ROD

Ⓢ - SERIAL NUMBER BREAK , **↙** - INDICATES UP TO AND INCLUDING THAT SERIAL NUMBER

665 / 665 DTC



OIL PUMP & OIL PAN

665 / 665 DTC

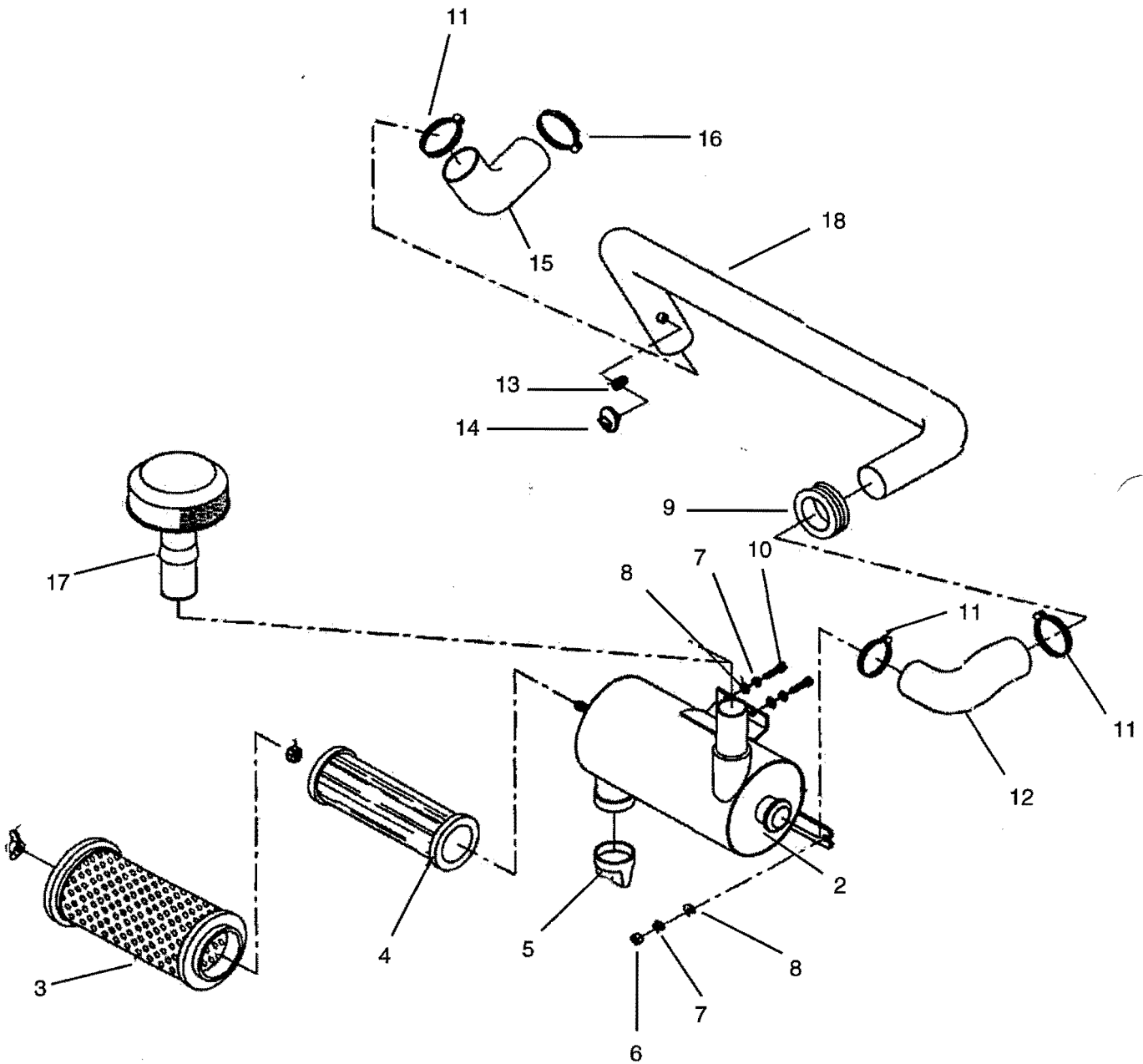
ITEM No.	PART No.	DESCRIPTION	VENDOR No.	QUANTITY	
				665 665 DTC	
1	ESL10203	Pump Assembly Engine Lube Oil	D10010970	1	1
2	-	Body Engine Lube Oil Pump	-	1	1
3	ESL12629	Rotor and Shaft Assy. Lube Oil, Pump Drive	D10104340	1	1
4	-	Cover Lube Oil Pump	-	1	1
5	-	Cover Lube Oil Pump Screen	-	1	1
6	ESL11779	Bolt M6x1.00x20-6.6 Hex Flanged (Lube Oil Pump)	-	4	4
7	ESL10191	Screen Lube Oil Pump	D10011030	4	4
8	ESL10193	Spring Lube Oil Pump Screen	D10011080	1	1
9	ESL10188	Valve Lube Oil Pressure Relief Valve	D10011050	1	1
10	ESL10189	Spring Lube Oil Pump Relief Valve	D10011010	1	1
11	ESL10190	Plug Lube Oil Pump Relief Valve	D10010990	1	1
12	ESL10195	Shaft Lube Oil Pump	D10011170	1	1
13	ESL10196	Shaft and Gear Assembly	D10011100	1	1
14	ESL10197	Gasket Lube Oil Pump	D10011140	1	1
15	ESL11645	Washer Lube Oil Pump Lock	D10011150	2	2
16	378310S36	Bolt,(3/8-16x1.38) Hex Head	-	2	2
17	N630173S8	Washer M8 Spring Lock	-	1	1
18	N605531S8	Bolt,(M8x1.25x20-9.8) Hex Head	-	1	1
19	ESL11646	Stop Lube Oil Pump Relief Valve	-	1	1
20	ESL15300	Pan Assembly Oil	D10044630	1	1
21	ESL10201	Gasket Drain Plug	D10044710	1	1
22	ESL15244	Plug Oil Pan Drain	D10061670	1	1
23	ESL15243	Gasket Oil Pan	D10044790	1	1
24	304666S8	Bolt, (3/8-16x0.875) Hex Head	-	22	22
25	34807S8	Washer, (3/8) Spring Lock	-	22	22

OIL PUMP & OIL PAN

Notes

AIR INTAKE
&
EXHAUST SYSTEM

665 / 665 DTC



AIR CLEANER - DRY ELEMENT TYPE

2:1

Ⓢ - SERIAL NUMBER BREAK, ↙ - INDICATES UP TO AND INCLUDING THAT SERIAL NUMBER

665 / 665 DTC

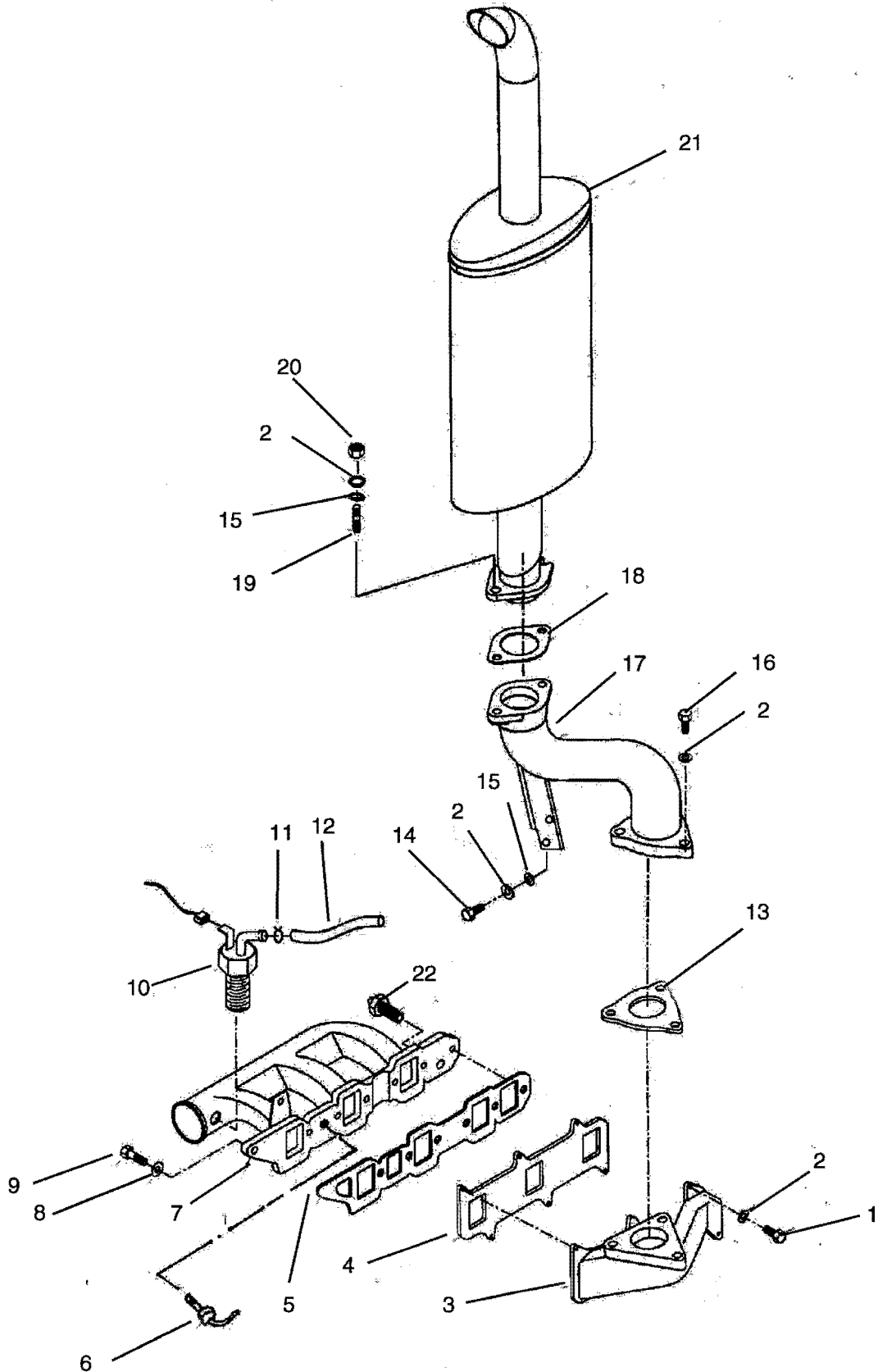
ITEM No.	PART No.	DESCRIPTION	VENDOR No.	QUANTITY 665 665 DTC	
1	ESL10232	Air Cleaner Assembly - Dry (includes items 2-5)	D10026730	1	1
2	-	Housing - Dry Air Cleaner	-	1	1
3	ESL10221	Element Primary Filter	D10093670	1	1
4	ESL10222	Filter Secondary Dry Air Cleaner	D10102340	1	1
5	ESL15302	Cap Dust Dry Air Cleaner	D10115740	1	1
6	N620014S8	Nut, (M10x1.50-5) Hex	-	2	2
7	N630174S8	Washer, (M10) Spring Lock	-	4	4
8	N630069S8	Washer, (M10) Flat	-	4	4
9	ESL10231	Grommet Air Cleaner	D10026760	2	2
10	304650S8	Bolt, (3/8-16x0.75) Hex Head	-	2	2
11	ESL12083	Clamp Assembly 70MM Diameter	D10017170	3	3
12	ESL11837	Hose Engine Air Cleaner Outlet	D10026720	1	1
13	ESL12616	Gasket	-	1	1
14	ESL12617	Indicator Dry Air Cleaner	D10026560	1	1
15	ESL15301	Hose Engine Air Cleaner, Outlet Lower	D10048130	1	1
16	ESL11977	Clamp Assembly Air Cleaner Hose	D10017630	1	1
17	ESL12070	Cap And Extension Assembly, Air Cleaner	D10026740	1	1
18	ESL12515	Tube Engine Air Cleaner Outlet	D10026750	1	1

AIR CLEANER - DRY ELEMENT TYPE

Ⓢ - SERIAL NUMBER BREAK ,

↙ - INDICATES UP TO AND INCLUDING THAT SERIAL NUMBER

665 / 665 DTC



INTAKE MANIFOLD & EXHAUST SYSTEM



AIR INTAKE & EXHAUST SYSTEM

665 / 665 DTC

ITEM No.	PART No.	DESCRIPTION	VENDOR No.	QUANTITY
				665 665 DTC
1	N600319S8	Bolt, (M10x1.50x70-8.8) Hex Head	-	6 6
2	N630069S8	Washer, (M10) Flat	-	13 13
3	ESL15306	Manifold Exhaust	D10044610	1 1
4	ESL15242	Gasket Exhaust Manifold	D10044830	3 3
5	ESL15305	Gasket Engine Air Intake Manifold	D10048010	1 1
6	ESL15318	Switch Thermostart	D10047980	1 1
7	ESL15304	Intake Manifold	D10047850	1 1
8	N605531S8	Bolt, (M8x1.25x20-9.8) Hex Head	-	7 7
9	ESL15208	Bolt, (M8x1.00x30-6.6) Head	-	3 3
10	ESL15314	Thermostart Engine TX12346	D10027380	1 1
11	ESL10284	Clamp Thermostat Tube	D10026200	2 2
12	ESL15315	Tube Nylon Thermostart	D10026170	1 1
13	ESL10245	Gasket Muffler Inlet	D10016120	1 1
14	ESL15310	Bolt M10x1.50x25-9.8 nn.	D81500280	2 2
15	ESL15309	Washer, (M10) Flat	D85500010	4 4
16	46008S8	Bolt, (3/8-16x1.00) Hex Head	-	3 3
17	ESL15308	Pipe Assembly Muffler Inlet	D10091160	1 1
18	ESL15313	Gasket Muffler Inlet	D10016120	1 1
19	ESL15307	Stud, (B M10x26-6.8) Zinc Passivated	D84500020	2 2
20	N620014S8	Nut, (M10x1.50-5) Hex	-	2 2
21	ESL15312	Muffler Assembly Vertical	D10035260	1 1
22	ESL10238	Sensor Unit Water Temperature Gauge	D10011480	4 4
-	ESL11958	Screw, (M8x1.25x30-8.8) Hex Head	D81500310	1 1

INTAKE MANIFOLD & EXHAUST SYSTEM

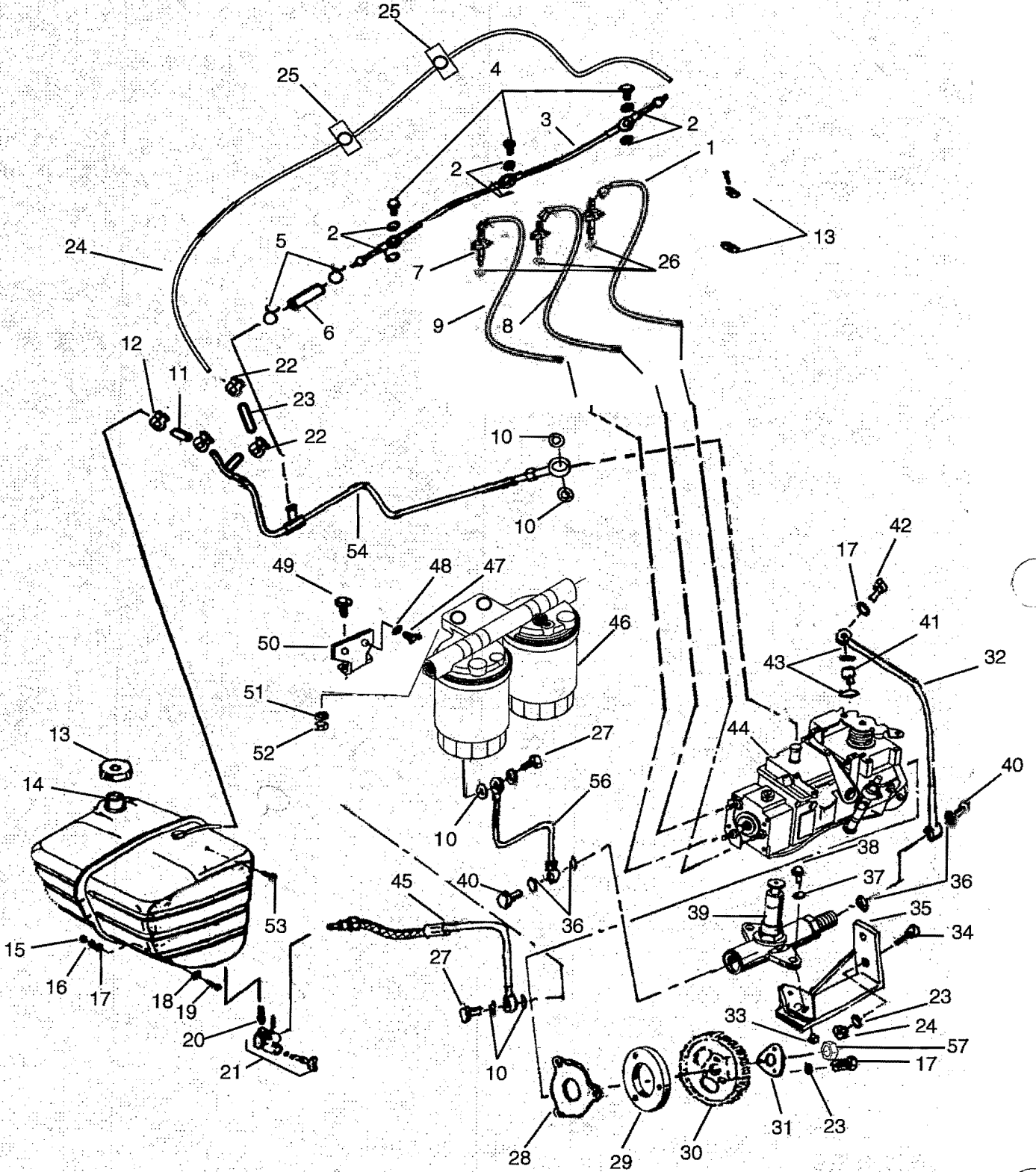
Ⓢ - SERIAL NUMBER BREAK ,

↙ - INDICATES UP TO AND INCLUDING THAT SERIAL NUMBER

Notes

FUEL SYSTEM

665 / 665 DTC



FUEL SYSTEM

3:1

Ⓢ - SERIAL NUMBER BREAK ,

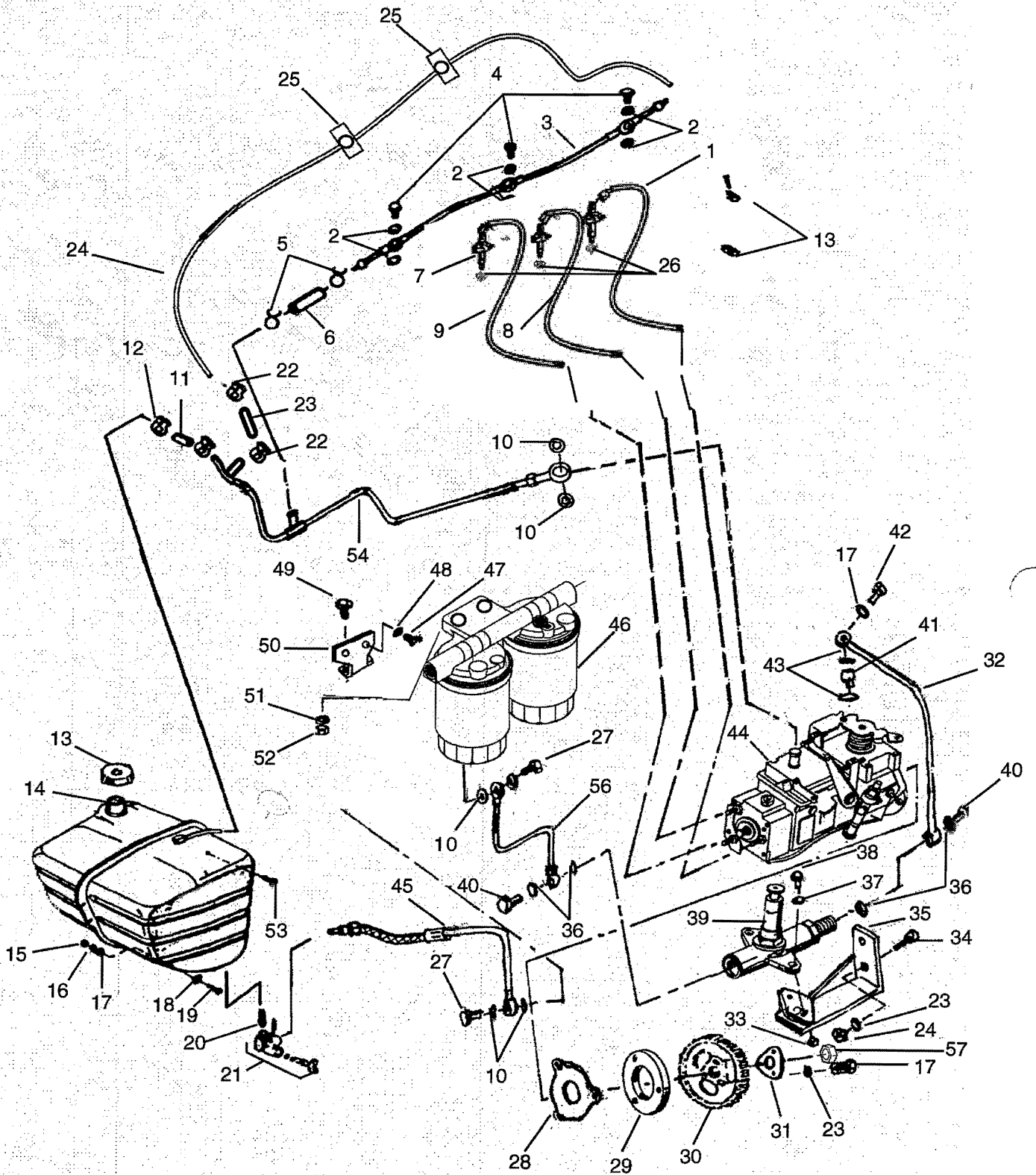
↙ - INDICATES UP TO AND INCLUDING THAT SERIAL NUMBER

665 / 665 DTC

ITEM No.	PART No.	DESCRIPTION	VENDOR No.	QUANTITY	
				665	665 DTC
1	ESL15333	Tube Assembly Fuel Injection Cylinder	D10047920	1	1
2	ESL15332	Washer, (6MM) Sealing	2564662AA	6	6
3	ESL15330	Tube Fuel Injection Pump Leak Off	D10047950	1	1
4	ESL15331	Bolt, (M6) Banjo	2564661AA	3	3
5	ESL10296	Clam Spring Wire Hose, (#7G)	D10018180	2	2
6	ESL15338	Hose	D10064600	1	1
7	ESL14907	Injector Assembly Fuel (VE)	D10047830	3	3
8	ESL15334	Tube Assembly Fuel Injection Cylinder	D10047930	1	1
9	ESL15335	Tube Assembly Fuel Injection Cylinder	D10047940	1	1
10	ESL11975	Washer, (14.2x19.9) Copper Sealing	D86000040	14	14
11	ESL10297	Coonector Fuel Return To Tank Tube	D10017360	1	1
12	ESL10298	Clamp Assembly Fuel Tube	D10017460	2	2
13	ESL10254	Cap and Key Assembly Fuel Tank	D10019100	1	1
14	ESL12656	Tank Assembly Fuel	D10039360	1	1
14	ESL10270	Tube Assembly Fuel Feed Pump	D10012570	1	1
15	33798S8	Nut, (5/16-24) Hex	-	2	2
16	44722S8	Washer, (5/16) Flat	-	7	7
17	ESL11742	Bolt Fuel Injection Pump Adapter Plate	D10010800	3	3
18	ESL10256	Spacer Fuel Tank Mounting Lower	D10018360	1	1
19	304683S8	Bolt, (5/16-18x1.00) Hex Head	-	2	2
20	ESL15319	Filter Fuel Tap 7 Screen	D10063180	1	1
20	304646S8	Bolt, (5/16-18x0.75) Hex Head	-	6	6
21	ESL10257	Tap And Screen Assembly Fuel Control	D10018590	1	1
22	34941S8	Washer, (5/16) Lock External Tooth	-	5	5
23	34806S8	Washer, (5/16) Spring Lock	-	9	9
23	ESL15324	Plug	D10102380	1	1
24	33797S8	Nut, (5/16-18) Hex	-	3	3
25	ESL15339	Bracket Fuel Injection Pump Rear Mounting	D10048040	1	1
26	304682S8	Bolt, (5/16-18x1.00) Hex Head	-	1	1
27	ESL13683	Bolt Pipe Union, (94110334)	D81001060	3	3
28	ESL15323	Gasket VE Pump	D10048000	1	1
29	ESL10030	Coupling Fuel Injection Pump Adapter Plate	D10010760	1	1
30	ESL15322	Gear VE Pump	D10047910	1	1
31	ESL10275	Plate Fuel Injection Pump	D10010780	1	1
32	ESL15344	Tube Assy. Hand Line Primer To FIP	D10047960	1	1
33	33796S8	Nut, (1/4-28) Hex	-	2	2
34	ESL15342	Bolt, (5/15-18x3.00)	D10047990	2	2

FUEL SYSTEM

665 / 665 DTC



FUEL SYSTEM

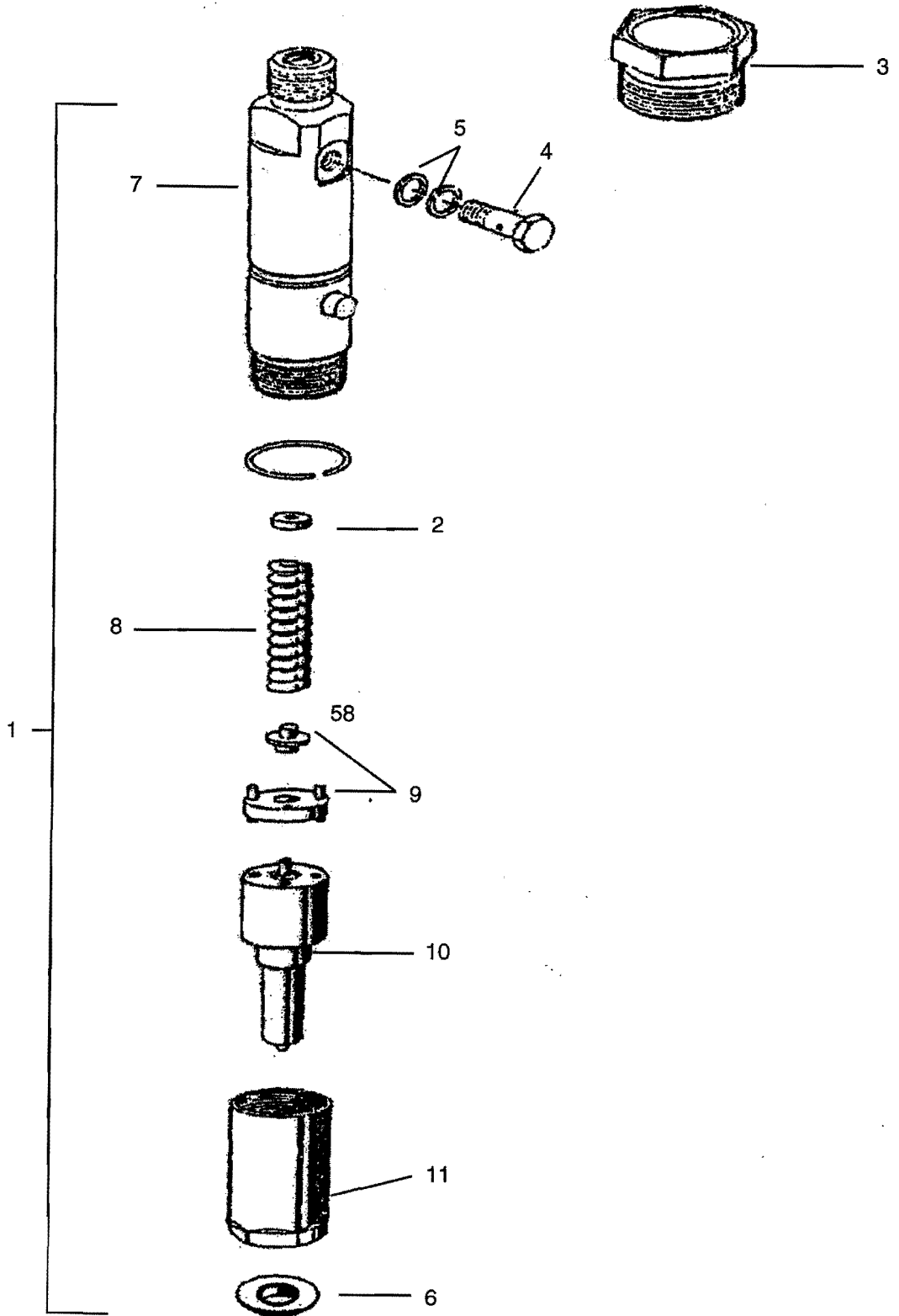
665 / 665 DTC

ITEM No.	PART No.	DESCRIPTION	VENDOR No.	QUANTITY	
				665 665 DTC	
35	ESL15341	Bracket Hand Primer Mounting	D10048050	1	1
36	ESL10357	Washer, (14.2x19.9) Copper Sealing	D10012580	4	4
37	34805S8	Washer, (1/4) Spring Lock	-	2	2
38	304633S8	Bolt, (1/4-28x0.62) Hex Head	-	2	2
39	ESL15343	Hand Primer Assembly	D10048070	1	1
40	ESL11778	Bolt, (M14x1.5x25.5) Hex Head	D10012590	2	2
41	ESL15346	Spacer Fuel Injection	D10048020	1	1
42	ESL11761	Bolt, (M12x1.5x23.5) Pipe Union	D10017500	1	1
43	ESL15345	Washer Copper Rotary	D10048060	3	3
44	ESL15371	Pump Assembly Fuel Injection 665	D10047840	1	1
45	ESL15321	Tube Assembly Fuel Tank To Filter	D10048190	1	1
46	ESL15328	Fuel Filter Assembly (Spin Type)	D10108550	1	1
47	304666S8	Bolt, (3/8-16x0.875) Hex Head	-	2	2
48	44726S8	Washer, (3/8) Flat	-	2	2
49	ESL11743	Bolt, Fuel Filter Bracket	-	2	2
50	ESL15329	Bracket Assembly Fuel Filter	D10044850	1	1
51	34809S8	Washer, (1/2) Spring Lock	-	2	2
52	ESL11782	Nut, Fuel filter Bracket	-	2	2
53	304635S8	Bolt, (5/16-24x0.625) Hex Head	-	1	1
54	ESL15337	Tube Assembly Fuel Tank Return	D10048180	1	1
55	ESL15336	Lamp Assembly High Pressure Pipe	D10047970	1	1
56	ESL15347	Tube Assembly Filter To H-L/Primer	D10048100	1	1
57	ESL15563	Nut, FIP Gear	D83500040	1	1

ESL 15354 Fuel Filter 2nd. 2°

ESL 15357 Fuel Filter Primary 1°

665 / 665 DTC



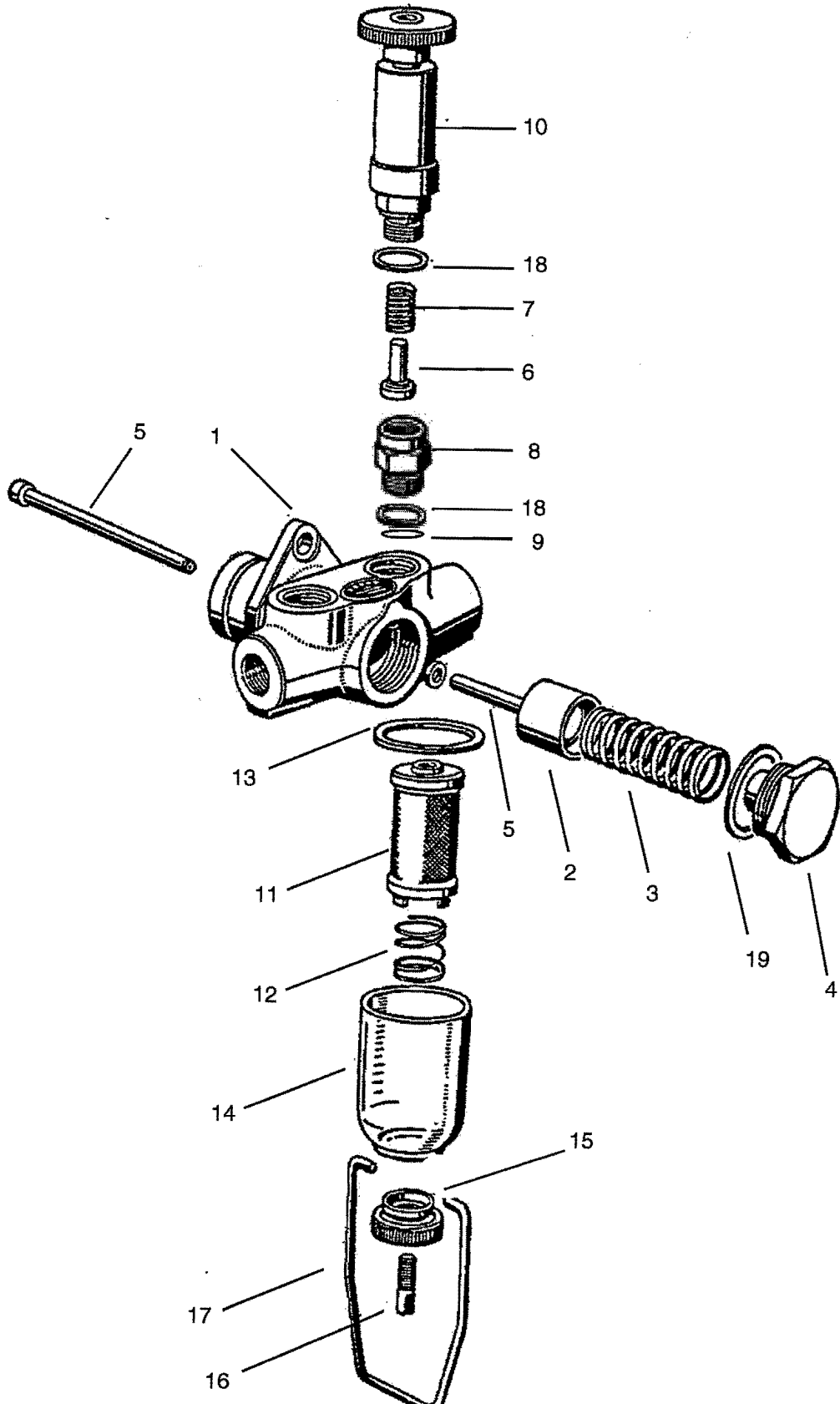
INJECTOR ASSEMBLY

665 / 665 DTC

ITEM No.	PART No.	DESCRIPTION	VENDOR No.	QUANTITY	
				665	665 DTC
1	ESL14907	Injector Assy. Fuel (VE)	D10047830	3	3
2	ESL15348	Adjusting Washer	-	1	1
3	ESL15349	Retaining Screw	-	AR	AR
4	ESL15350	Banjo Bolt	-	1	1
5	ESL15351	Washer	-	2	2
6	ESL15352	Sealing Washer	D10130700	1	1
7	-	Nozzle Holder (NSS)	-	1	1
8	-	Spring (NSS)	-	1	1
9	-	Seat, Spring (NSS)	-	1	1
10	-	Nozzle (NSS)	-	1	1
11	-	Cap, Nut Nozzle (NSS)	-	1	1

INJECTOR ASSEMBLY

665 / 665 DTC



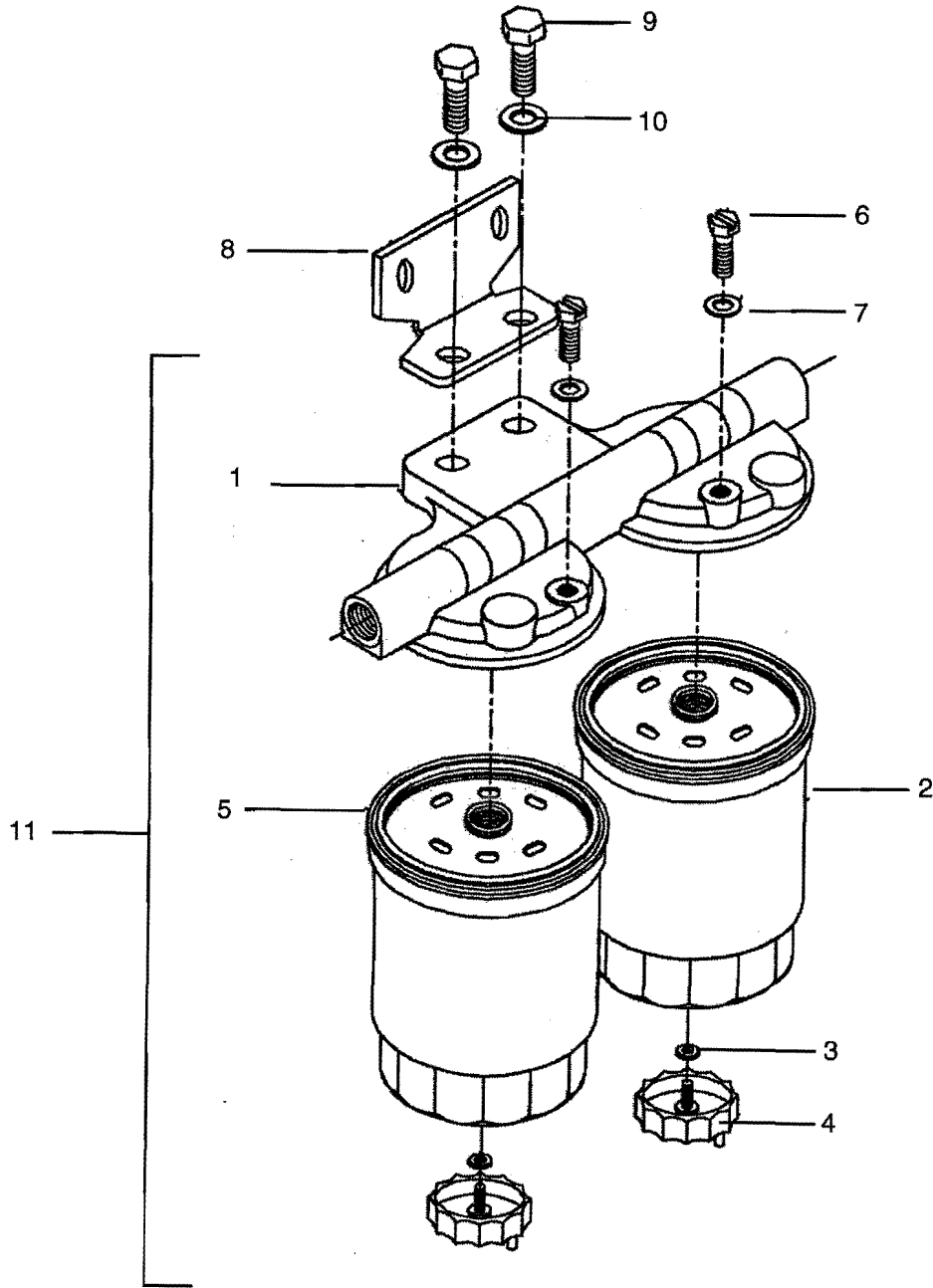
FUEL FEED PUMP & PRE-FILTER

665 / 665 DTC

ITEM No.	PART No.	DESCRIPTION	VENDOR No.	QUANTITY	
				665	665 DTC
-	ESL10442	Fuel Feed Pump Assembly (Includes Items #1-2a)	D10105280	1	1
1	-	Housing, Fuel Feed Pump (NSS)	-	1	1
2	-	Pump Plunger (NSS)	-	1	1
3	ESL10426	Spring, Pump Plunger	-	1	1
4	ESL10427	Closing Plug	-	1	1
5	ESL10428	Pressure Spindle	-	1	1
6	ESL10429	Valve	-	1	1
7	ESL10430	Spring	-	1	1
8	ESL10431	Reducing Nipple	-	1	1
9	ESL13406	'O' Ring	D10105330	1	1
10	ESL10432	Hand Primer	-	1	1
11	ESL10433	Prefilter Sieve	-	1	1
12	ESL10434	Spring	-	1	1
13	ESL10435	Sealing Washer	D10105470	1	1
14	ESL10436	Prefilter Housing	-	1	1
15	ESL10437	Clamping Nut	D83000310	1	1
16	ESL10438	Stud	D10105390	1	1
17	ESL10439	Clip	-	1	1
18	ESL10440	Sealing Ring	-	2	2
19	ESL10441	Sealing Ring	-	1	1

FUEL FEED PUMP & PRE-FILTER

665 / 665 DTC



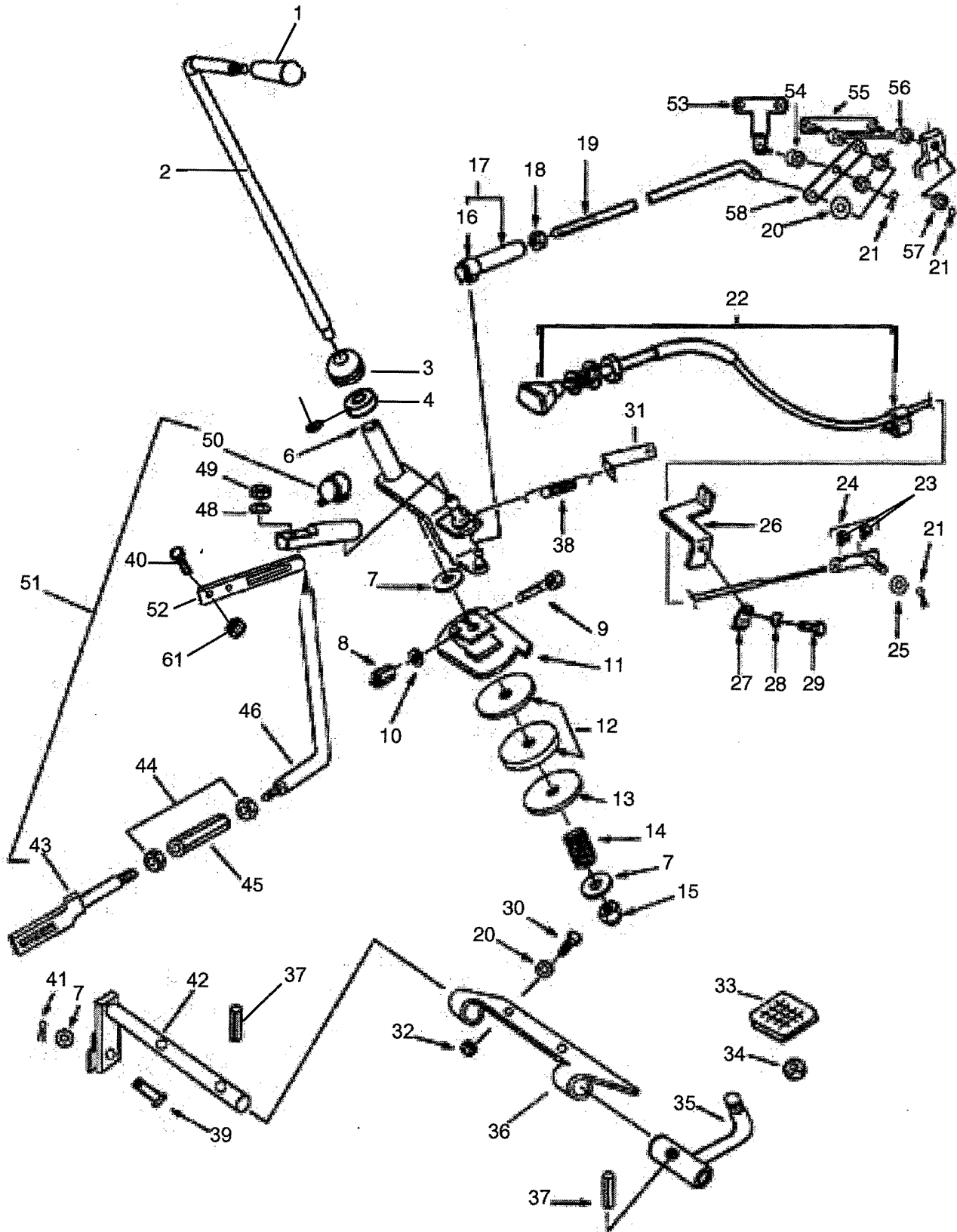
FUEL INJECTION PUMP

665 / 665 DTC

ITEM No.	PART No.	DESCRIPTION	VENDOR No.	QUANTITY	
				665	665 DTC
1	ESL15353	Filter Cover	-	1	1
2	ESL15354	Exchange Filter (Secondary)	-	1	1
3	ESL15355	Sealing Ring	-	2	2
4	ESL15356	Drain Plug	-	2	2
5	ESL15357	Exchange Filter (Primary)	-	1	1
6	ESL15358	AirVent Screw	-	2	2
7	ESL15359	Flat Seal Ring	-	2	2
8	ESL15329	Bracket Assy. Fuel Filter	D10044850	1	1
9	304666S8	Bolt, (3/8-16x0.875) Hex Head	-	2	2
10	44726S8	Washer, (3/8) Flat	-	2	2
11	ESL13313	Fuel Filter Assembly	-	1	1

FUEL INJECTION PUMP

665 / 665 DTC



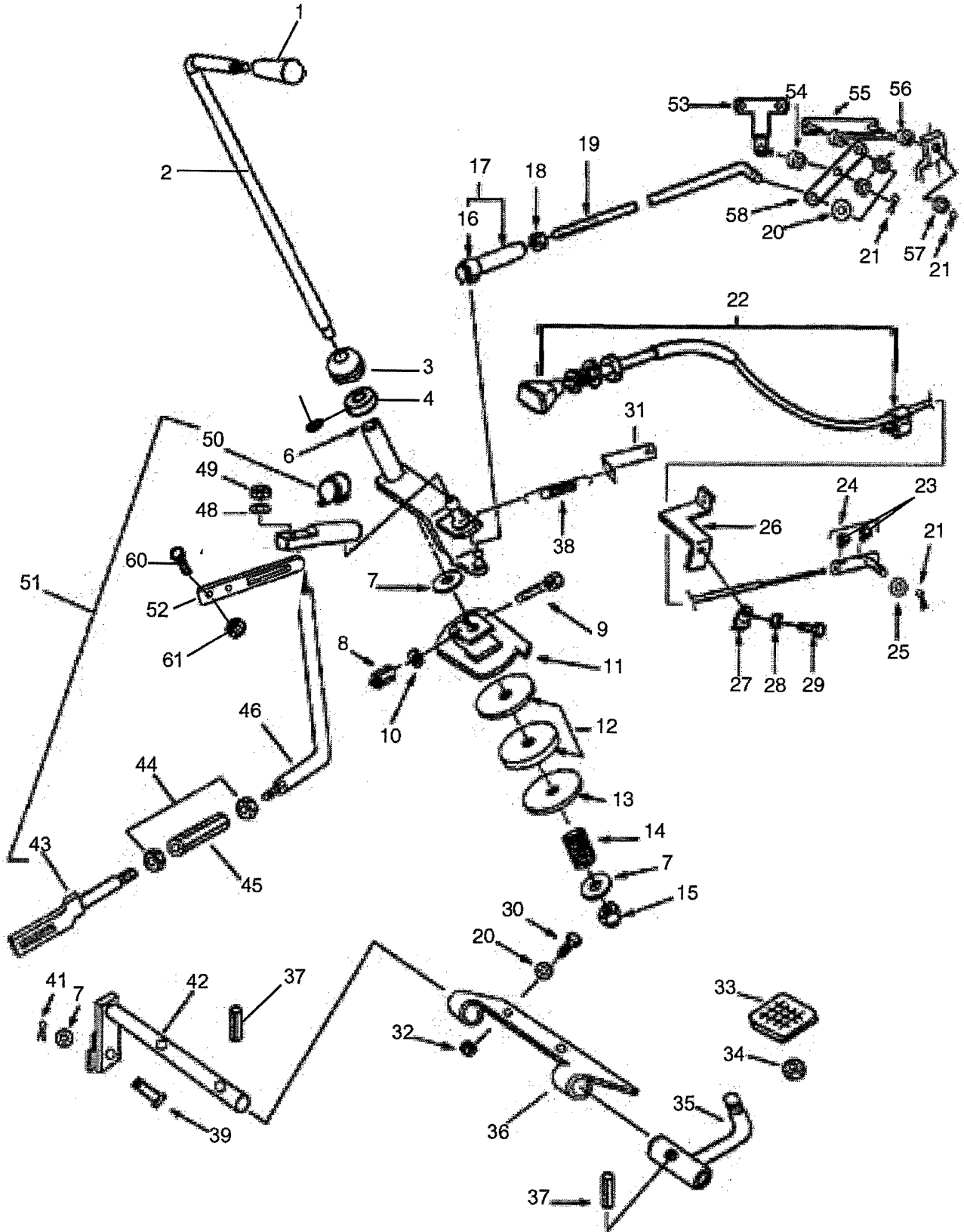
THROTTLE & ACCELERATION CONTROLS

665 / 665 DTC

ITEM No.	PART No.	DESCRIPTION	VENDOR No.	QUANTITY	
				665	665 DTC
1	ESL12687	Knob, Hand Throttle	D10042450	1	1
2	ESL12689	Lever Assembly, Hand Throttle (Includes Item #1)	D10046660	1	1
3	ESL12636	Grommet	-	1	1
4	ESL13300	Stop, Throttle Control Lever	-	1	1
5	N60550S8	Bolt, Hex Head (M5x0.8-8)	-	1	1
6	ESL10455	Arm Assembly, Throttle Control	D10019090	1	1
7	44726S8	Washer, Flat (3/8)	-	3	3
8	82835179	Nut, Hex (5/16-24)	-	1	1
9	379586S8	Bolt (5/16-24*1.25)	-	1	1
10	ESL11674	Washer, Flat (5/16)	D10018690	1	1
11	ESL10461	Plate Assembly, Throttle Control	D10017990	1	1
12	ESL10457	Disc, Throttle Control Friction	D10018170	2	2
13	ESL10460	Plate, Throttle Lever Friction	D10021590	1	1
14	ESL10452	Spring, Main Control Lever	-	1	1
15	ESL11791	Nut, Thick Lock (3/8-24)	-	1	1
16	ESL10463	Clip, Throttle Control	D10105110	1	1
17	ESL10462	Connector, Throttle Control Rod	D10105120	1	1
18	33796S8	Nut, Hex (1/4-28)	-	1	1
19	ESL15611	Rod Assembly, Throttle Control (Includes Items 16-18)	D10045210	1	1
20	44719S8	Washer, Flat (1/4)	-	3	3
21	ESL12688	Pin, Cotter (1/16x0.50)	D10000640	5	5
22	ESL10468	Control Assembly, Fuel Shut Off	D10017670	1	1
23	ESL11858	Screw	D82000100	2	2
24	ESL10471	End, Fuel Shut Off Cable (Includes Item #23)	D10011820	1	1
25	ESL11676	Washer, Fuel Shut Off	D10011810	1	1
26	ESL13278	Bracket Assembly, Shut Off Cable	D10017710	1	1
27	ESL10478	Clamp, Fuel Shut Off Cable	D10017350	1	1
28	34803S8	Washer, Lock (10)	-	1	1
29	54042S8	Screw (10-24)	-	1	1
30	ESL12014	Bolt, Hex Head (1/4-28x0.62)	D81000390	2	2
31	ESL13331	Bracket Acceleration Return Spring	D10043110	2	2
32	33796S8	Nut, Hex (1/4-28)	-	2	2
33	ESL12690	Pedal	-	1	1
34	ESL12691	Nut, Hex (M10)	D83500510	1	1
35	ESL12692	Pedal Assembly Acc. (Shank & Hub)	-	1	1
36	ESL12693	Bracket Acc. Pedal	D10103590	1	1
37	ESL11156	Pin, Spring (3/16x0.8125)	D87000050	2	2
38	ESL10480	Spring	D10012750	1	1
39	76023S8	Pin, Clevis (3/8x13/16)	-	1	1
40	ESL13684	CS Screw (M8x1.25x20)	-	2	2

THROTTLE & ACCELERATION CONTROLS

665 / 665 DTC



THROTTLE & ACCELERATION CONTROLS



FUEL SYSTEM

665 / 665 DTC

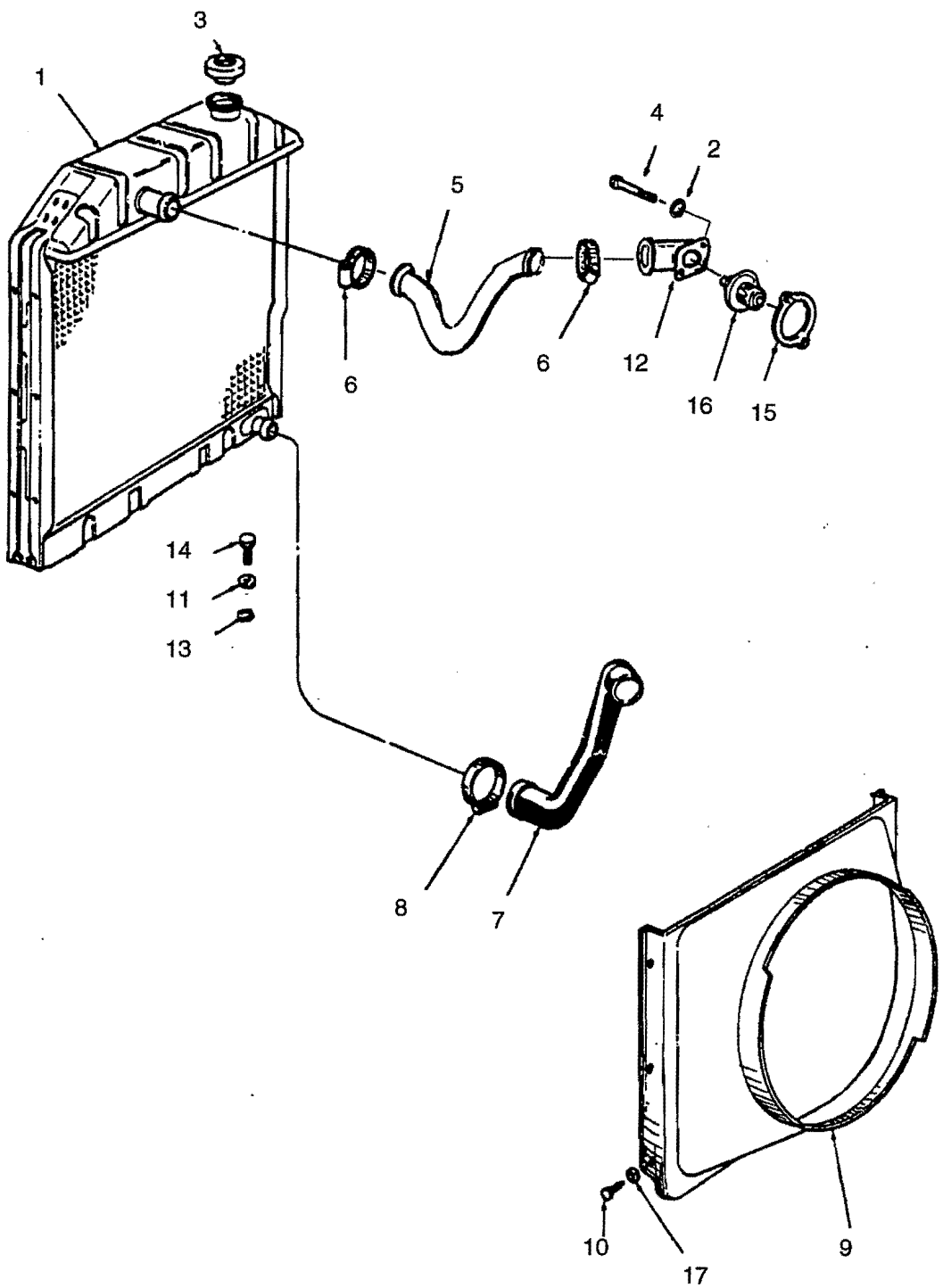
ITEM No.	PART No.	DESCRIPTION	VENDOR No.	QUANTITY	
				665	665 DTC
41	ESL12679	Pin Cotter (3/32x0.75)	D10013450	1	1
42	ESL12680	Arm Assembly Acceleration Control	-	1	1
43	ESL12681	Rod Assembly Acceleration Control	-	1	1
44	N620013S8	Nut, Hex (M8x1.25)	-	2	2
45	ESL12682	Coupler Acceleration Control	D10103620	1	1
46	ESL12683	Rod Acceleration Control	-	1	1
47	ESL12684	Connection Assembly	D10103600	1	1
48	N630067S8	Washer, Flat (M6)	-	1	1
49	N620012S8	Nut, Hex (M6x1.0)	-	1	1
50	ESL10464	Lock Throttle Lever	D10019070	1	1
51	ESL12685	Link Assembly Acceleration Control	D10043090	1	1
52	ESL12686	Guide Foot Acceleration	D10043100	1	1
53	ESL10472	Bracket Assembly Fuel Shut Off	-	1	1
54	ESL10476	Spacer	D10060800	1	1
55	ESL10473	Plate Assembly, Throttle Control	-	1	1
56	ESL10474	Spacer	D10060780	2	2
57	ESL10475	Spacer	D10060790	3	3
58	ESL10477	Plate	D10060190	1	1

THROTTLE & ACCELERATION CONTROLS

Notes

COOLING SYSTEM

665 / 665 DTC



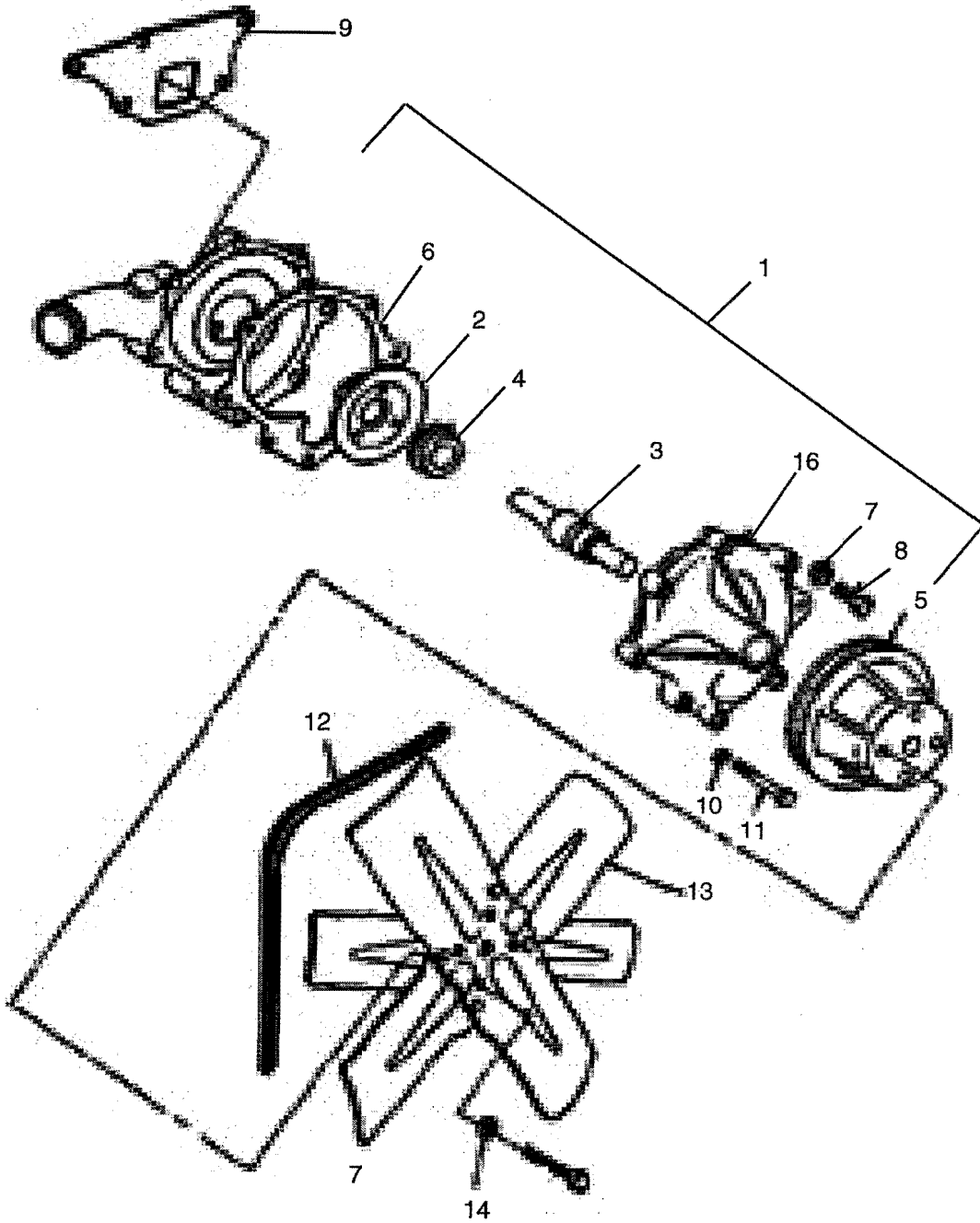
WATER PUMP

665 / 665 DTC

ITEM No.	PART No.	DESCRIPTION	VENDOR No.	QUANTITY	
				665	665 DTC
1	ESL15361	Radiator And Shroud Assembly	D10039270	1	1
2	ESL15365	Washer, (M8) Spring Lock	D86500030	2	2
3	ESL10493	Cap Assembly Radiator Pressure	D10105080	1	1
4	ESL15364	Bolt, (M8x30) Hex Head	D81501370	2	2
5	ESL10494	Hose Radiator Upper	D10017340	1	1
6	ESL10495	Hose Clamp Upper	D10017540	2	2
7	ESL10496	Hose Radiator Lower	D10018350	1	1
8	ESL15360	Clamp Radiator Hose Lower	D10017620	2	2
9	ESL10498	Shroud - Fan	-	1	1
10	ESL11859	Screw And Lock Washer Assy. (#8-32x3/8)	-	6	6
11	ESL10500	Insulator Radiator Support	D10018340	2	2
12	ESL10503	Connection Water Outlet	D10011770	1	1
13	ESL15362	Nut, (7/16-14) Nylock	D10019060	2	2
14	23607S8	Bolt, (7/16-14x3.50) Round Head	-	2	2
15	ESL10502	Gasket Water Outlet	D10011760	1	1
16	ESL15363	Thermostat Assembly Water	D10011750	1	1
17	44710S8	Washer, (#8) Flat	-	6	6

WATER PUMP

665 / 665 DTC



WATER PUMP

665 / 665 DTC

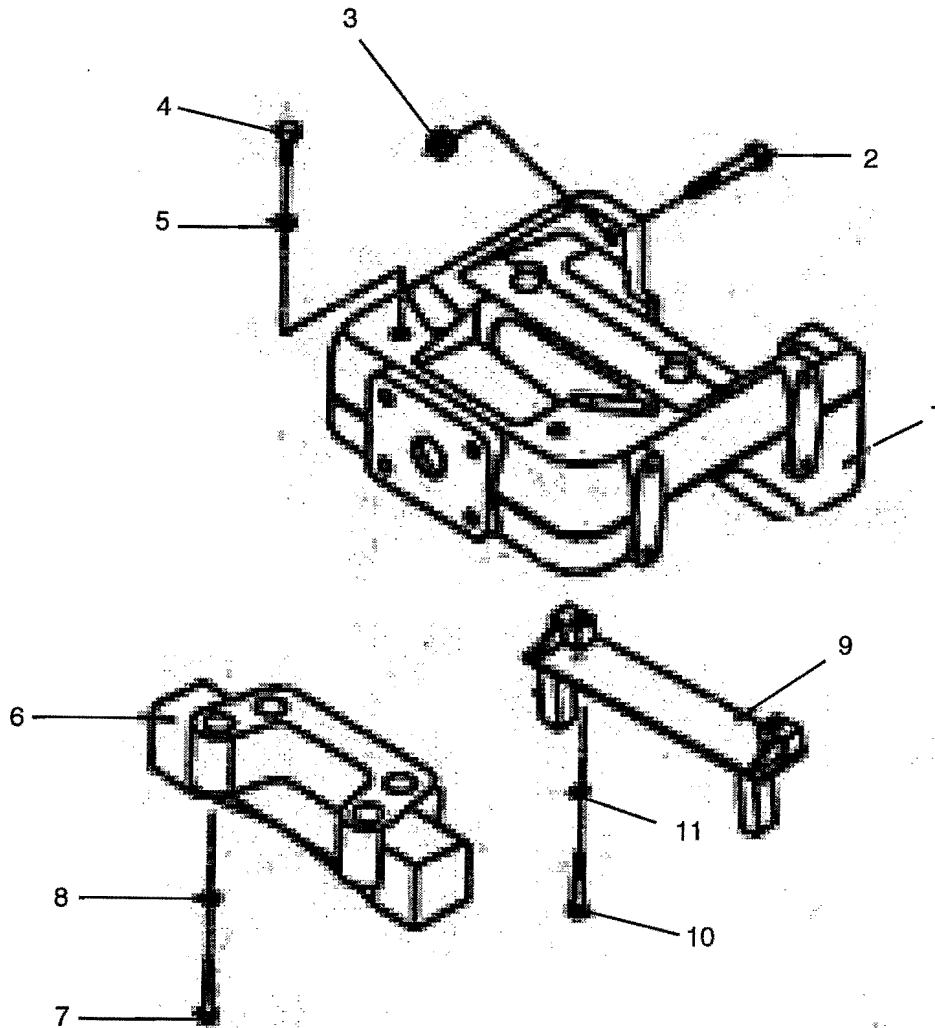
<i>ITEM No.</i>	<i>PART No.</i>	<i>DESCRIPTION</i>	<i>VENDOR No.</i>	<i>QUANTITY</i> 665 665 DTC	
1	ESL10520	Pump Assembly Water	D10011230	1	1
2	ESL10508	Impeller Water Pump	D10068820	1	1
3	ESL10509	Bearing Water Pump	D10011240	1	1
4	ESL10510	Seal And Seat Assembly Water Pump	-	1	1
5	ESL10511	Pulley Water Pump	D10062990	1	1
6	ESL10512	Gasket Water Pump Cover	D10063000	1	1
7	34806S8	Washer, (5/16) Spring Lock	-	8	8
8	304758S8	Bolt, (5/16-18x1.50) Hex Head	-	4	4
9	ESL15366	Gasket Water Pump	D10011250	1	1
10	34807S8	Washer, (3/8) Spring Lock	-	4	4
11	300892S8	Bolt, (3/8-16x3.00) Hex Head	-	4	4
12	ESL12222	Belt Drive Cogged	-	1	1
13	ESL15367	Fan Assembly Water Cooling	D10028750	1	1
14	304665S8	Bolt, (5/16-18x0.88) Hex Head	-	4	4
15	ESL12224	Kit Water Repair Koyo Bearing 3610	-	1	1
16	-	Cover Water Pump (NSS)	-	1	1

WATER PUMP

Notes

***FRONT END STEERING
&
4WD SYSTEM***

665 / 665 DTC





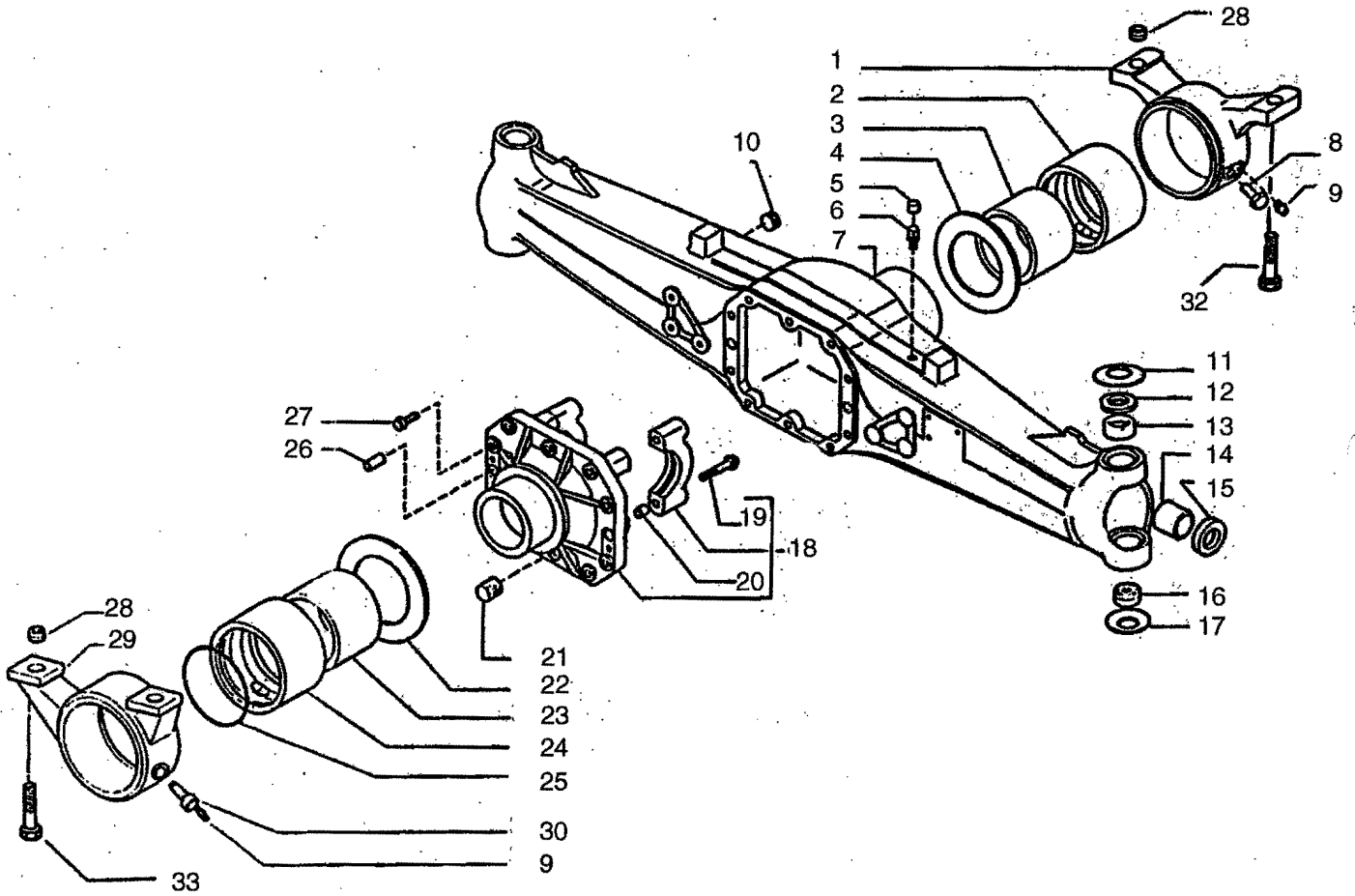
FRONT END STEERING & 4WD

665 / 665 DTC

ITEM No.	PART No.	DESCRIPTION	VENDOR No.	QUANTITY
				665 665 DTC
1	ESL14919	Suport Front Axle 4wd	D10045710	- 1
2	304964S8	Bolt, (3/4-10x4.00) Hex Head	-	- 4
3	34674S8	Nut, (3/4-10) Hex	-	- 4
4	ESL14970	Screw, (M6x1.00x12-6.8)Hex Head	D82500050	- 2
5	N630067S8	Washer M6 Flat	-	- 2
6	ESL14612	Adapter Front Pillow Block	D10045500	- 1
7	ESL14613	Bolt Trunion Bracket Mounting	D10012670	- 4
8	ESL11642	Washer 1/2 Flat	D10003580	- 4
9	ESL14604	Stopper Assembly 4 Wheel Drive	D10045520	- 1
10	58679S8	Bolt, (1/2-13x2.50) Hex Head	-	- 2
11	34809S8	Washer 1/2 Spring Lock	-	- 2

FRONT END STEERING & 4WD

665 / 665 DTC



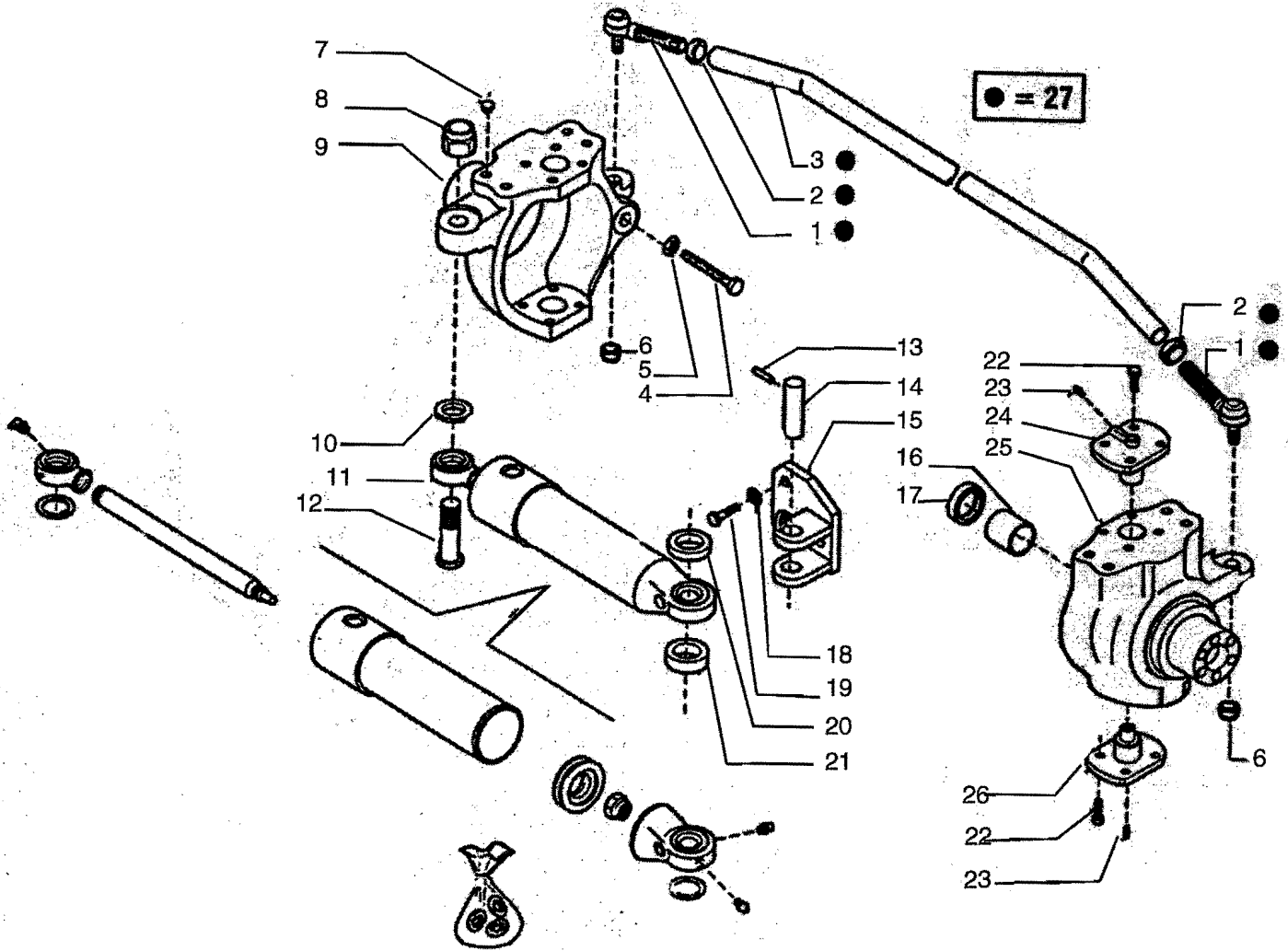
AXLE HOUSING

665 / 665 DTC

ITEM No.	PART No.	DESCRIPTION	VENDOR No.	QUANTITY 665 665 DTC
1	ESL14606	Front Support (Pillow Block)	D10084770	- 1
2	ESL14614	Bush	D10084780	- 1
3	ESL14615	Bush	D10084790	- 1
4	ESL14616	Thrust Washer	D10084800	- 1
5	ESL14617	Protection Cover	D10084810	- 1
6	ESL14618	Breather M10x1	D10084820	- 1
7	ESL14619	Axle Housing	D10084830	- 1
8	ESL14620	Bolt	D10084840	- 1
9	ESL14621	Grease Nipple M6x1	D10084850	- 1
10	ESL14622	Plug 24x1.5	D10084860	- 1
11	ESL14623	Belleville Washer	D10084870	- 2
12	ESL14624	Spacer	D10084880	- 2
13	ESL14625	Bush	D10084890	- 2
14	ESL14626	Bush	D10084900	- 2
15	ESL14627	Seal Ring	D10084910	- 2
16	ESL14628	Spherical Bearing	D10084920	- 2
17	ESL14629	Belleville Washer	D10084940	- 1
18	ESL14630	Differential Support	D10084950	- 1
19	ESL14631	Bolt	D10084960	- 4
20	ESL14632	Centering Bush	D10084970	- 4
21	ESL14634	Plug M24x1.5	D10084980	- 1
22	ESL14633	Thrust Washer	D10084990	- 1
23	ESL14637	Bush	D10085000	- 1
24	ESL14638	Bush	D10085010	- 1
25	ESL14639	'O' Ring	D10046240	- 1
26	ESL14640	Pin Plain Dowel	D10085020	- 2
27	ESL14641	Bolt M12x33	D10085030	- 10
28	ESL14642	Bush	D10045700	- 4
29	ESL14643	Pillow Block Rear	D10085040	- 1
30	ESL14644	Bolt	-	- 1
31	ESL14646	Plug (NI)	D10085050	- 1
32	304912S8	Bolt 3/4-16x2.75 Hex Head	-	- 2
33	304964S8	Bolt 3/4-10x4.00 Hex Head	-	- 4
A	ESL14635	Pillow Block Assembly Front	D10085060	- 1
-	ESL15377	Front Axle Assembly With Pillow Block	D10045640	- 1
-	ESL15378	Kit Rear pillow Block	D10047650	- 1

AXLE HOUSING

665 / 665 DTC



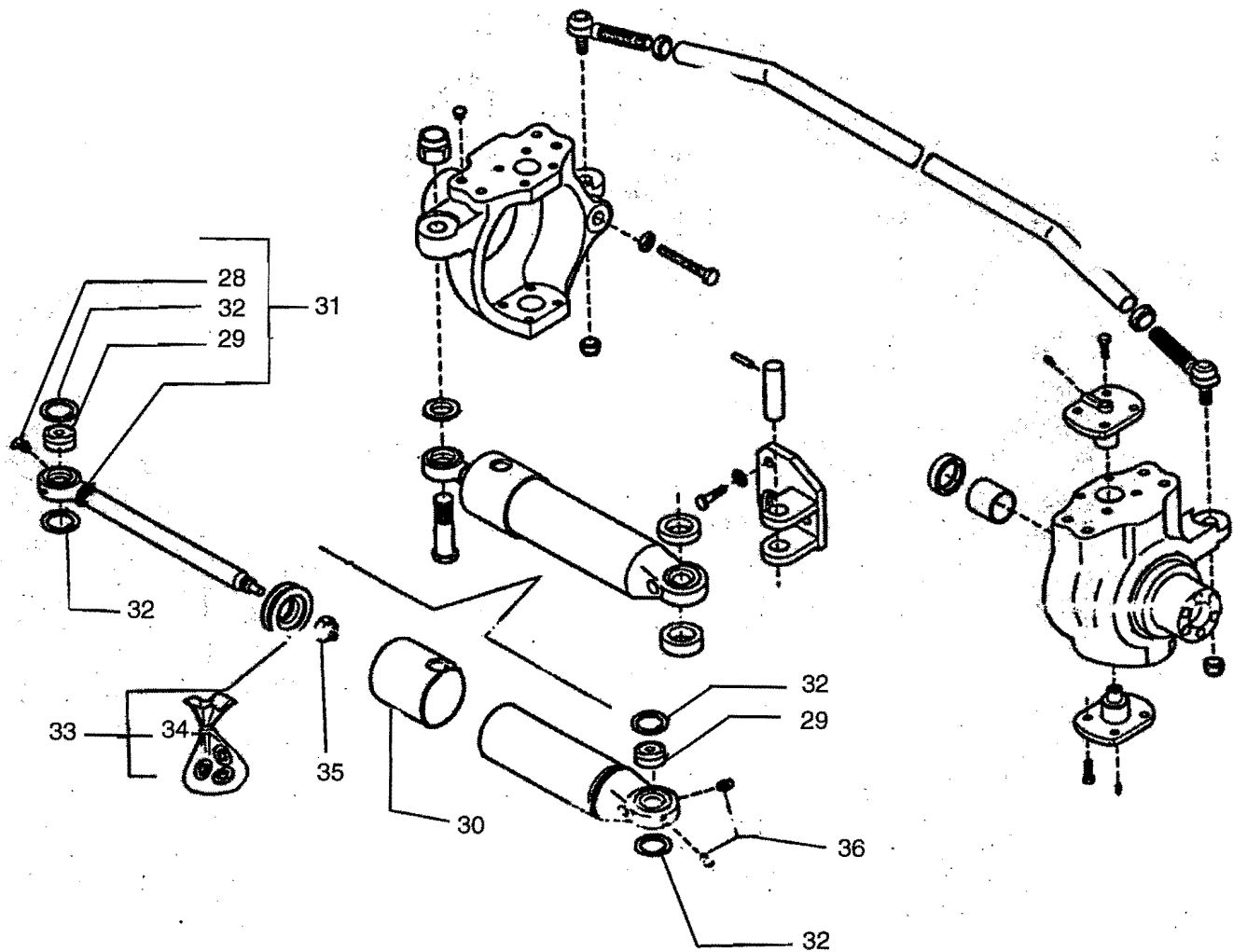
AXLE & STEERING PARTS

665 / 665 DTC

ITEM No.	PART No.	DESCRIPTION	VENDOR No.	QUANTITY 665 665 DTC
1	ESL14636	Ball Joint	D10085070	- 2
2	ESL14647	Nut M20x1.5	D10085080	- 2
3	ESL14648	Steering Rod	D10085090	- 1
4	ESL14649	Bolt M16x2.0x75-8.8 Hex Head	D10085100	- 2
5	ESL14650	Nut M16	D10085110	- 2
6	ESL14651	Nut M14x1.5	D10085120	- 2
7	ESL14652	Plug D14.6x9.5	D10085130	- 8
8	ESL14653	Nut Self Lock m22x1.5	D10085140	- 1
9	ESL14654	Swivel Housing LH	D10085150	- 1
10	ESL14655	Washer 30x22.1x4	D10085160	- 1
11	ESL14656	Steering Cylinder	D10085170	- 1
12	ESL14657	Pin D22x100	D10085180	- 1
13	ESL14658	Pin 8x35 Spring Dowel	D87000130	- 1
14	ESL14659	Pin D22x95	D10085190	- 1
15	ESL14660	Clamp	D10085200	- 1
16	ESL14661	Bush	D10085210	- 2
17	ESL14662	Seal Ring 45x60x16	D10085220	- 2
18	ESL14663	Ring D14	D10085230	- 3
19	ESL14664	Bolt M14x35	D10085240	- 3
20	ESL14665	Spacer 33.7x22.1x7.5	D10085250	- 1
21	ESL14666	Spacer 33.7x22.1x11	D10085260	- 1
22	ESL14667	Bolt M12x1.75x30 (Self Lock)	D10085270	- 16
23	ESL14637	Grease Nipple M6x1	D10084990	- 4
24	ESL14669	King Pin	D10085280	- 2
25	ESL14670	Swivel Housing RH	D10085290	- 1
26	ESL14671	King Pin	D10085300	- 2
27	ESL14672	Steering Rod Assembly	D10085310	- 1

AXLE & STEERING PARTS

665 / 665 DTC



AXLE HOUSING

5:7

Ⓢ - SERIAL NUMBER BREAK ,

↙ - INDICATES UP TO AND INCLUDING THAT SERIAL NUMBER



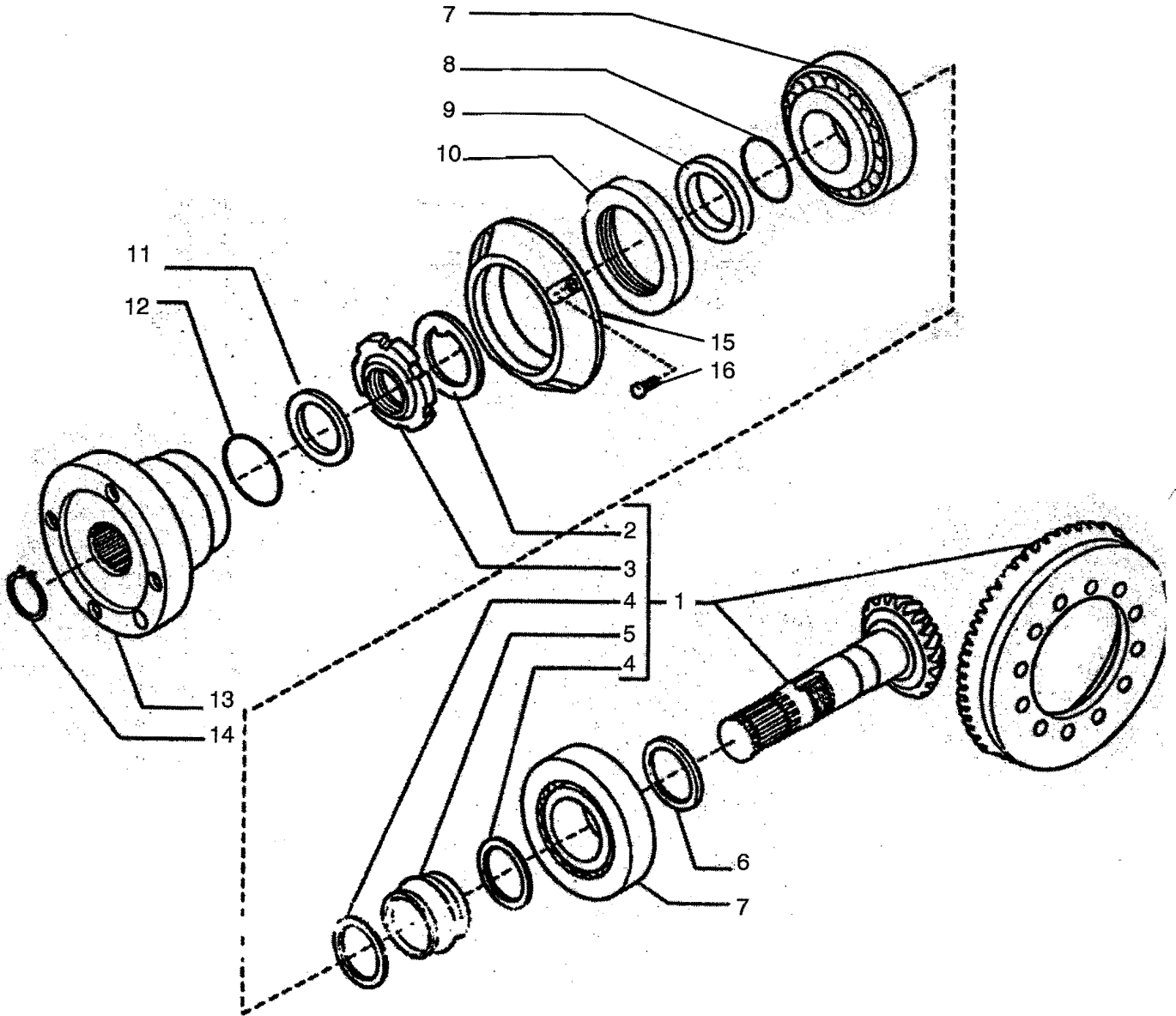
FRONT END STEERING & 4WD

665 / 665 DTC

<i>ITEM No.</i>	<i>PART No.</i>	<i>DESCRIPTION</i>	<i>VENDOR No.</i>	<i>QUANTITY</i>
				665 665 DTC
28	ESL14673	Grease Nipple M6x1	D10085320	- 1
29	ESL14674	Ball Joint	D10085330	- 2
30	ESL14675	Cylinder Head	D10085340	- 1
31	ESL14676	Rod Assembly	D10085350	- 1
32	ESL14677	Circlip	D10085360	- 2
33	ESL14678	Piston & Cylinder Seal Kit	D10085370	- 1
34	ESL14679	Cylinder Seal Kit	D10085380	- 1
35	ESL14680	Lock Nut M16x1.5	D10085390	- 1
36	-	Grease Nipple M6x1	-	- 2

AXLE HOUSING

665 / 665 DTC



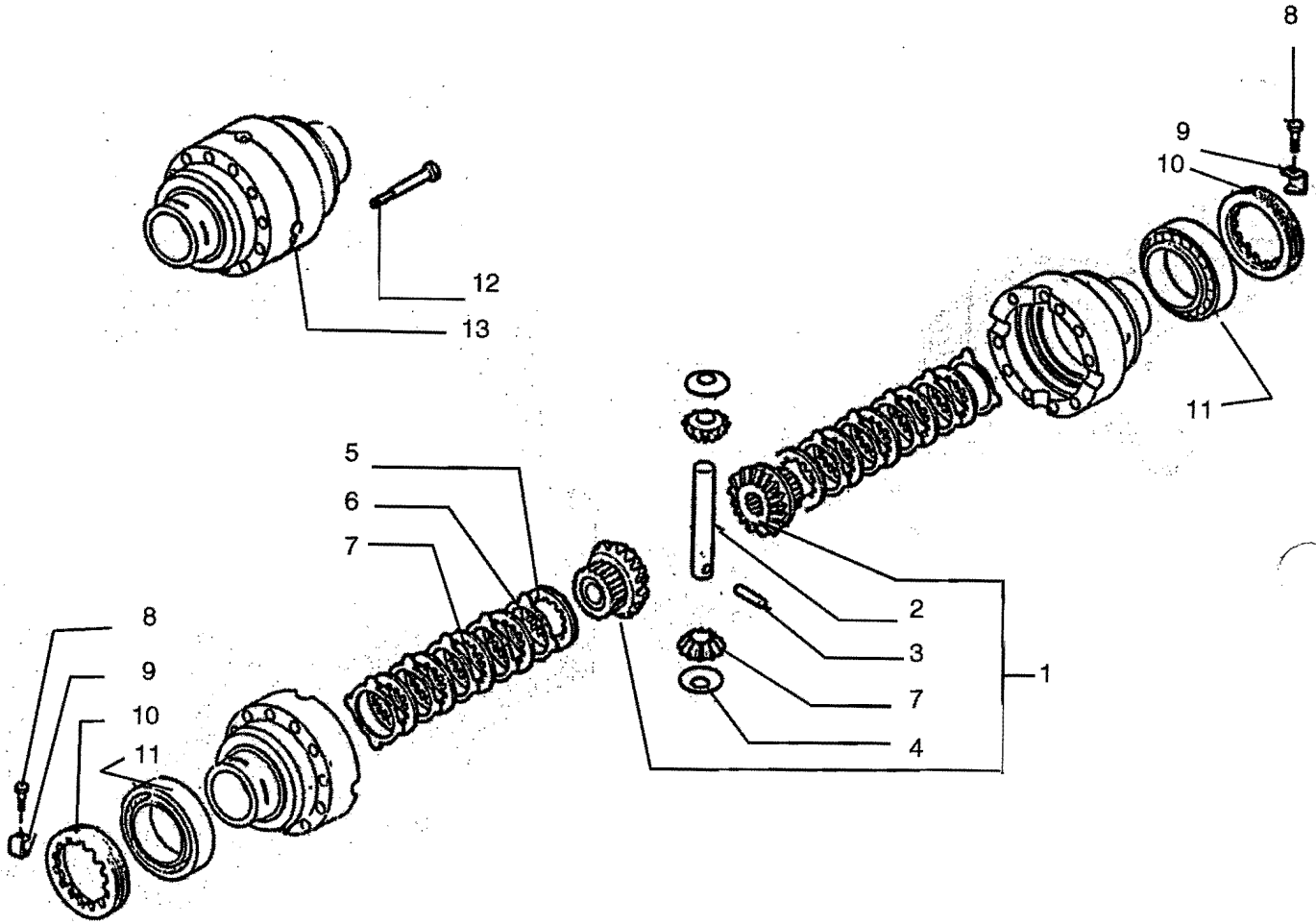
BEVEL GEAR - PUNCH SET

665 / 665 DTC

ITEM No.	PART No.	DESCRIPTION	VENDOR No.	QUANTITY 665 665 DTC
1	ESL14682	Bevel Gear & Pinion 13/30	D10085400	- 1
2	ESL14683	Lock Washer	D10085410	- 1
3	ESL14684	Ring Nut M35x1.5	D10085420	- 1
4	ESL14685	Washer 45x35.5x2	D10085430	- 1
5	ESL14686	Collapsible Spacer	D10085440	- 1
6	ESL14687	Shim 2.50MM	D10085450	- 1
6	ESL14688	Shim 2.60MM	D10085460	- 1
6	ESL14689	Shim 2.70MM	D10085470	- 1
6	ESL14690	Shim 2.80MM	D10085480	- 1
6	ESL14691	Shim 2.90MM	D10085490	- 2
6	ESL14692	Shim 3.00MM	D10085500	- 2
6	ESL14693	Shim 3.10MM	D10085510	- 2
6	ESL14694	Shim 3.20MM	D10085520	- 2
6	ESL14695	Shim 3.30MM	D10085530	- 2
6	ESL14696	Shim 3.40MM	D10085540	- 2
7	ESL14697	Bearing	D10085550	- 1
8	ESL14698	'O' Ring	D10085560	- 1
9	ESL14699	Spacer	D10085570	- 4
10	ESL14701	Seal Ring	D10085580	- 4
11	ESL14702	Washer 45x31.5x3	D10085590	- 1
12	ESL14703	'O' Ring	D10085600	- 1
13	ESL14704	Flange	D10085610	- 1
14	ESL14705	Snap Ring	D10085620	- 1
15	ESL14706	Flange	D10085630	- 1
16	ESL14707	Bolt M6x16	D10085640	- 2

BEVEL GEAR - PUNCH SET

665 / 665 DTC



BEVEL GEAR - PUNCH SET

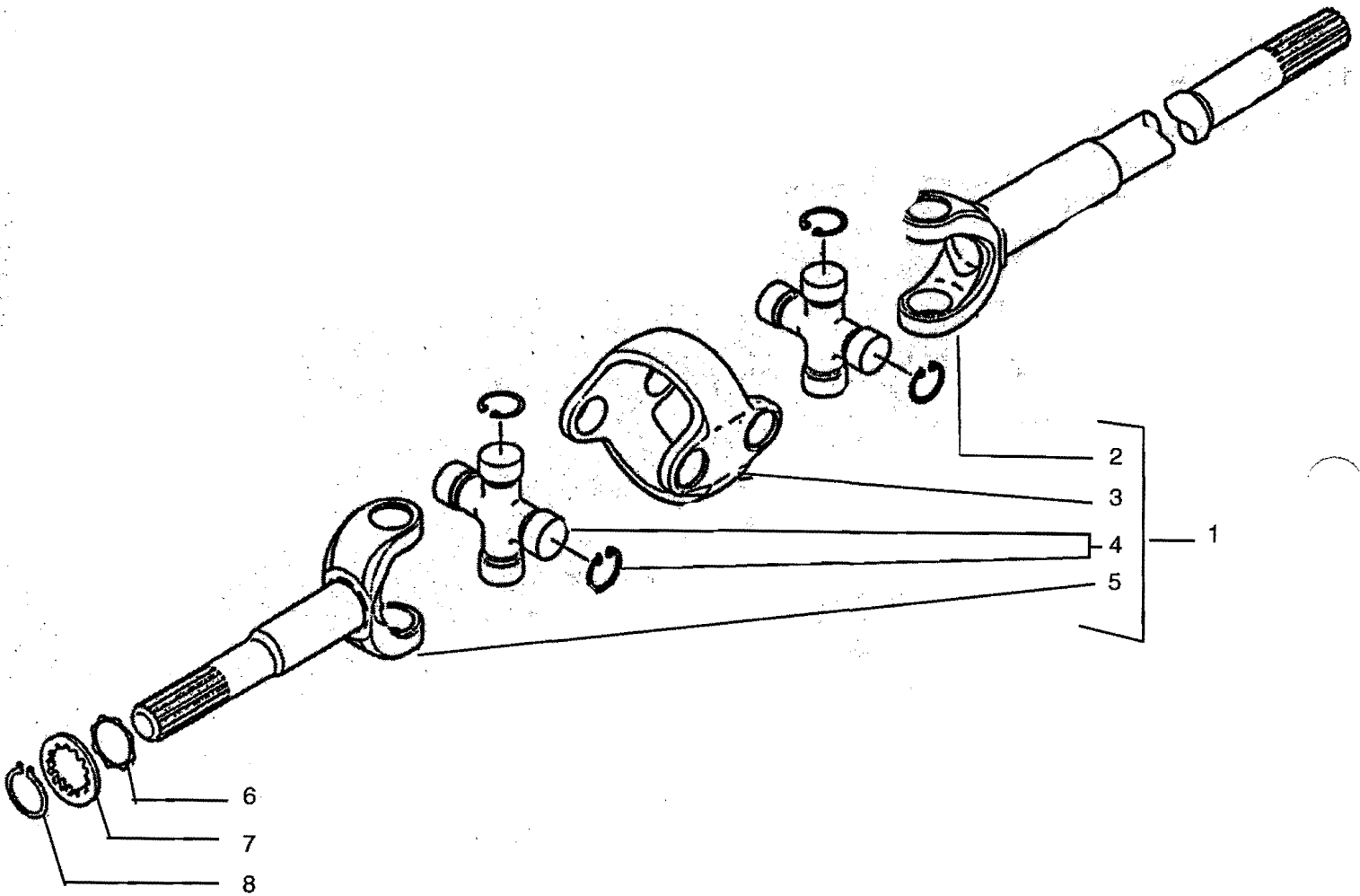


FRONT END STEERING & 4WD

665 / 665 DTC

ITEM No.	PART No.	DESCRIPTION	VENDOR No.	QUANTITY
				665 665 DTC
1	ESL14709	Differential Kit	D10085650	- 1
2	ESL14710	Shaft	D10085660	- 1
3	ESL14711	Pin, (D.6x40)	D10085670	- 2
4	ESL14712	Trust Washer	D10085680	- 2
5	ESL14713	Plate	D10085690	- 2
6	ESL14714	Drive Plate	D10085700	- 10
7	ESL14715	Plate	D10085710	- 8
8	ESL14716	Screw, (M6x10) (Self Lock)	D10085720	- 2
9	ESL14717	Locking Plate	D10085730	- 2
10	ESL14718	Ring Nut	D10085740	- 2
11	ESL14719	Bearing	D10085750	- 2
12	ESL14620	Bolt, (M10X1.5X75)	D10084840	- 12
13	ESL14721	Differential Housing	D10085770	- 1

BEVEL GEAR - PUNCH SET



DIFFERENTIAL



FRONT END STEERING & 4WD

665 / 665 DTC

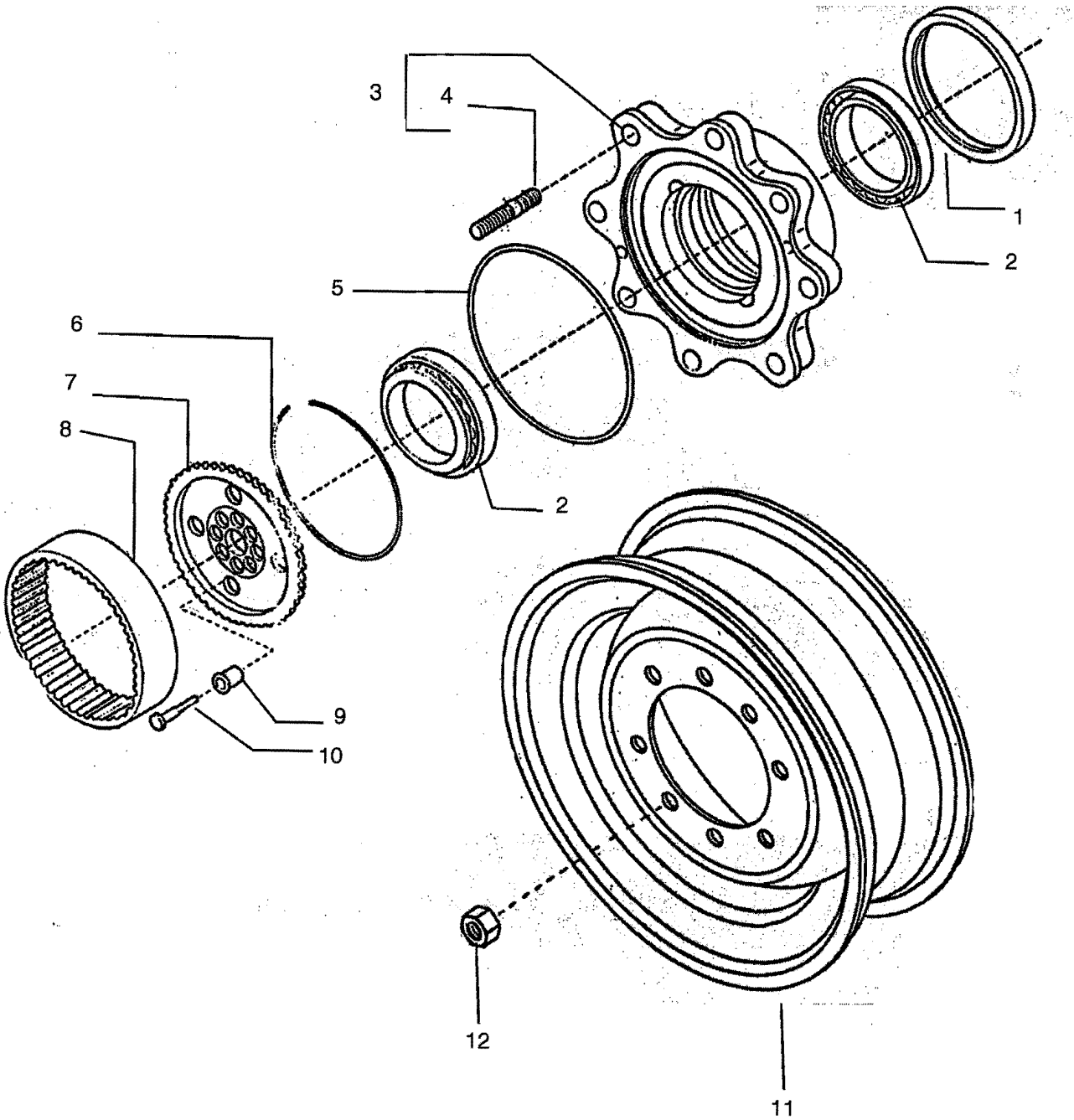
<i>ITEM No.</i>	<i>PART No.</i>	<i>DESCRIPTION</i>	<i>VENDOR No.</i>	<i>QUANTITY</i>
				665 665 DTC
1	ESL14722	Double Joint	D10085780	- 2
2	ESL14723	Fork (Diff Side)	D10085790	- 2
3	ESL14724	Central Body	D10085800	- 2
4	ESL14725	Spider	D10085810	- 4
5	ESL14726	Fork (Wheel Hub)	D10085820	- 2
6	ESL14727	Thrust Washer	D10085830	- 2
7	ESL14728	Thrust Washer	D10085840	- 2
8	ESL14729	Snap Ring D45	D10085850	- 2

DIFFERENTIAL

Ⓢ - SERIAL NUMBER BREAK ,

↙ - INDICATES UP TO AND INCLUDING THAT SERIAL NUMBER

665 / 665 DTC



DOUBLE JOINT

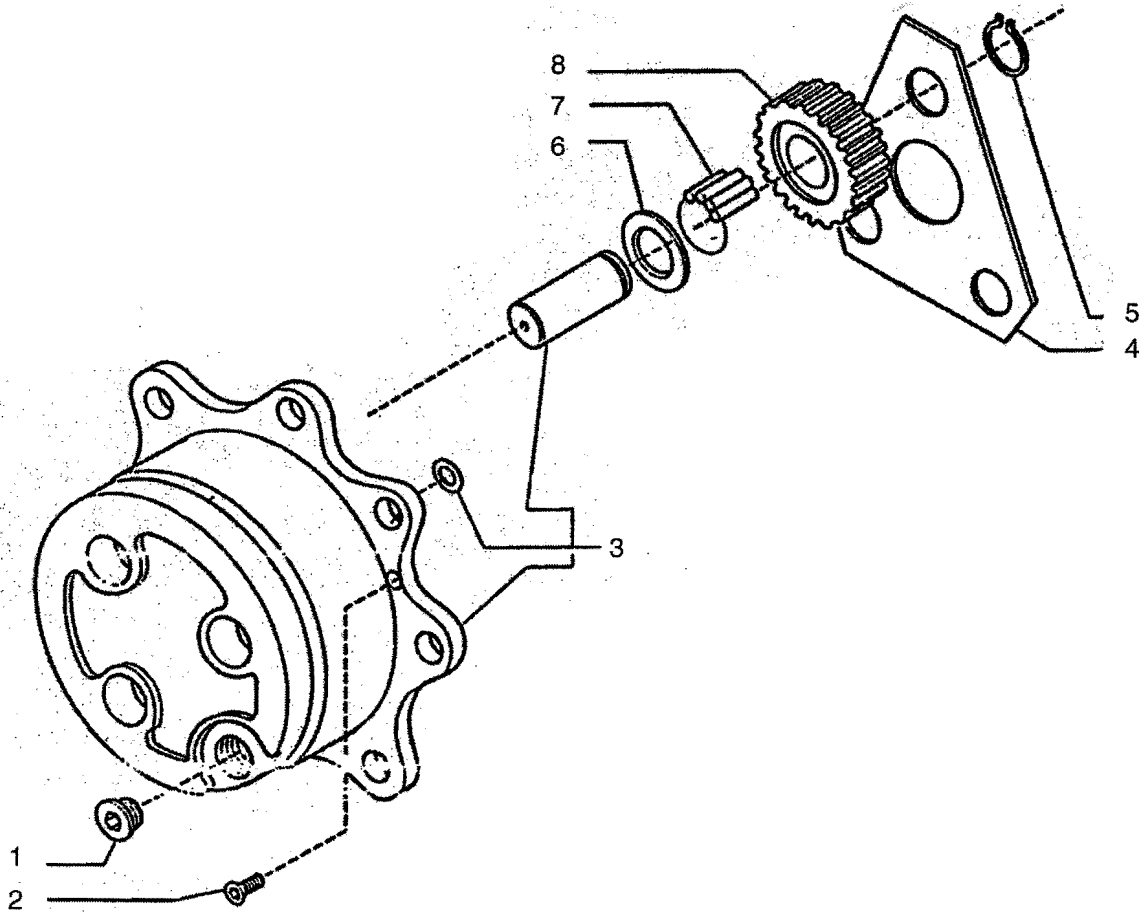
665 / 665 DTC

ITEM No.	PART No.	DESCRIPTION	VENDOR No.	QUANTITY
				665 665 DTC
1	ESL14730	Oil Seal Ring	D10085860	- 2
2	ESL14731	Bearing	D10085870	- 4
3	ESL14732	Wheel Hub Kit	D10085880	- 2
4	ESL14733	Stud	D10085890	- 16
5	ESL14734	'O' Ring	D10085820	- 2
6	ESL14735	Ring	D10085830	- 2
7	ESL14736	Wheel Carrier	D10085840	- 2
8	ESL14737	Crown Gear	D10085850	- 2
9	ESL14638	Centering Bush	D10085940	- 12
10	ESL14639	Bolt M10x45 (Self Lock)	D10085950	- 12
11	ESL14640	Wheel assembly Front W10-24	D10045660	- 2
12	ESL14641	Nut M18x1.50-8 Hex Head Collared (Rear Wheel Bolt)	D10043020	- 12

Handwritten:
Lug
Bolt
ESL15061
Lug nut

DOUBLE JOINT

665 / 665 DTC



FINAL REDUCTION



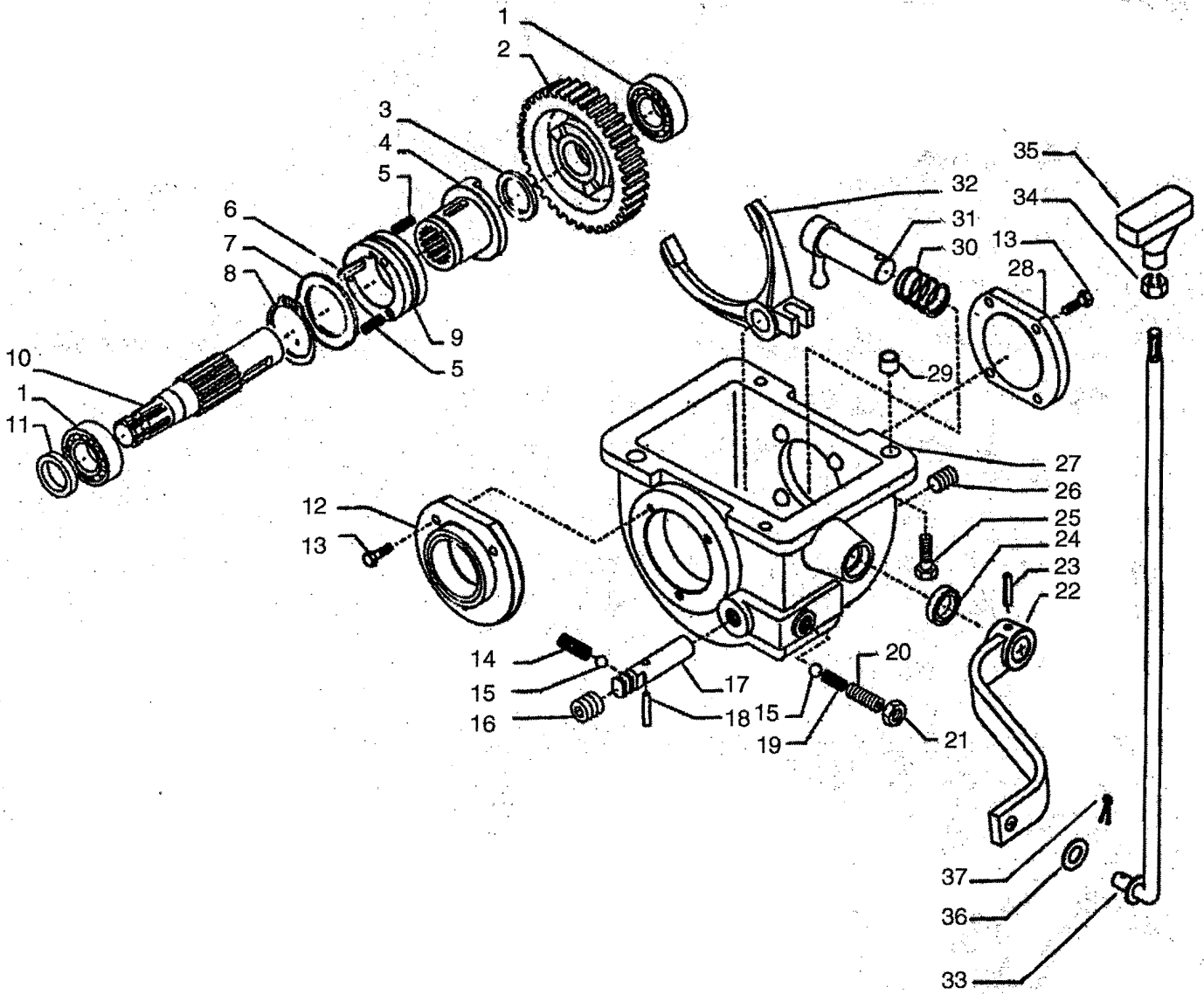
FRONT END STEERING & 4WD

665 / 665 DTC

<i>ITEM No.</i>	<i>PART No.</i>	<i>DESCRIPTION</i>	<i>VENDOR No.</i>	<i>QUANTITY</i>
				665 665 DTC
1	ESL14742	Plug M30x2	D10085960	- 2
2	ESL14743	Bolt M8x20	D10085970	- 4
3	ESL14744	Plantery Carrier Assembly	D10085980	- 2
4	ESL14745	Thrust Washer	D10085990	- 2
5	ESL14746	Snap Ring D.34	D10086000	- 6
6	ESL14747	Washer 55x34.6x1.5	D10086010	- 6
7	ESL14748	Needle Bearing (By Tens)	D10086020	- 18
8	ESL14749	Gear Z=23	D10086030	- 6

FINAL REDUCTION

665 / 665 DTC



TRANSMISSION HSG & OUTPUT SHAFT

5:19

Ⓢ - SERIAL NUMBER BREAK,

↙ - INDICATES UP TO AND INCLUDING THAT SERIAL NUMBER



FRONT END STEERING & 4WD

665 / 665 DTC

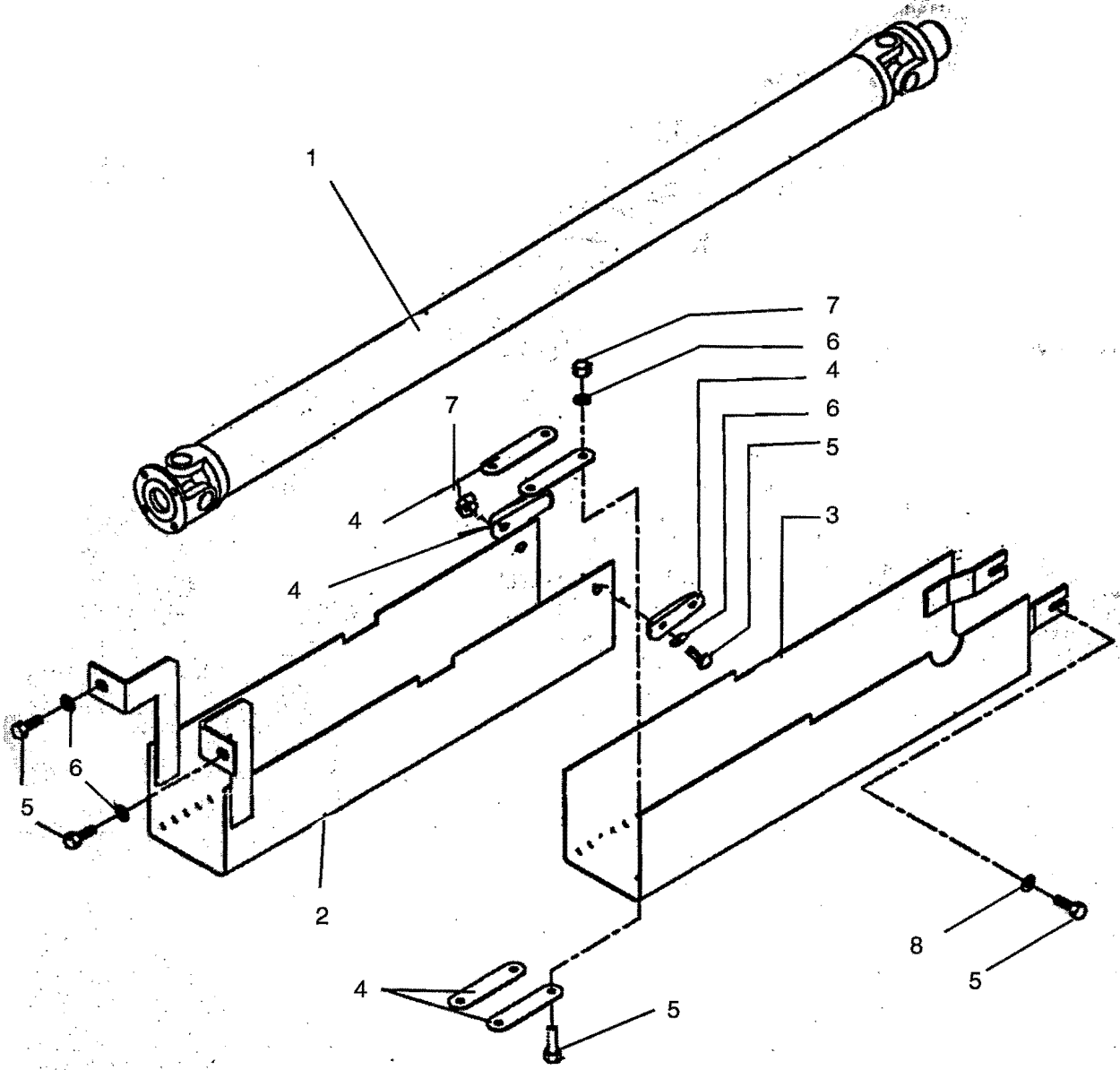
ITEM No.	PART No.	DESCRIPTION	VENDOR No.	QUANTITY 665 665 DTC
1	ESL14750	Bearing	D10086040	- 2
2	ESL14751	Gear Z=46	D10086050	- 1
2	ESL14752	Gear Z=44	D10086060	- -
3	ESL14753	Washer	D10086070	- 1
4	ESL14754	Gear Z=13	D10086080	- 1
5	ESL14755	Spring	D10086090	- 6
6	ESL14756	Key 4x4x15	D10086100	- 1
7	ESL14757	Washer	D10086110	- 1
8	ESL14758	Snap Ring	D10086120	- 1
9	ESL14759	Sleeve	D10086130	- 1
10	ESL14760	Shaft	D10086140	- 1
11	ESL14761	Oil Seal	D10086150	- 1
12	ESL14762	Cover	D10086160	- 1
13	ESL14763	Bolt M8x20 (Self Lock)	D10086170	- 7
14	ESL14764	Spring	D10086180	- 1
15	ESL14765	Ball D 5/16	D10086190	- 2
16	ESL14766	Plug	D10086200	- 1
17	ESL14767	Fork Pin 506	D10086210	- 1
18	ESL14768	Pin D5x30	D10086220	- 1
19	ESL14769	Spring	D10086230	- 1
20	ESL14770	Grub Screw M12x25	D10086240	- 1
21	ESL14771	Nut M.12	D10086250	- 1
22	ESL15379	Bracket Assembly Hub And Lever	D10045620	- 1
23	N646664S8	Roll Pin D6x36	N646664S2	- 1
24	ESL14773	Oil Seal	D10086260	- 1
25	ESL14774	Bolt, M12x1.75x30 (Self Lock)	D10085270	- 4
26	ESL14775	Plug M24x1.5	D10084970	- 1
27	ESL14776	Housing (Drop Box)	D10086270	- 1
28	ESL14777	Rear Cover	D10086280	- 1
29	ESL14778	Bush	D10086290	- 2
30	ESL14779	Spring	D10086300	- 1
31	ESL14780	Lever	D10086310	- 1
32	ESL14781	Fork	D10086320	- 1
33	ESL14782	Lever Assembly Engagement	D10045630	- 1
34	N620014S8	Nut M10x1.50-5 Hex	D83500210	- 1
35	ESL14783	Knob PTO	D10042460	- 1
36	N630070S8	Washer M12 Flat	D85500160	- 1
37	72026S8	Pin 1/8x.875 Cotter	D87000080	- 1

TRANSMISSION HSG & OUTPUT SHAFT

Ⓢ - SERIAL NUMBER BREAK ,

↙ - INDICATES UP TO AND INCLUDING THAT SERIAL NUMBER

665 / 665 DTC



TRANSMISSION HSG & CONTROL LEVER



FRONT END STEERING & 4WD

665 / 665 DTC

<i>ITEM No.</i>	<i>PART No.</i>	<i>DESCRIPTION</i>	<i>VENDOR No.</i>	<i>QUANTITY</i>
				665 665 DTC
1	ESL14786	Shaft Assembly Propeller	D10045690	- 1
2	ESL14788	Guard Propeller Shaft	D10045490	- 1
3	ESL14790	Guard Propeller Shaft (Drop Box End)	D10047610	- 1
4	ESL14791	Strip Guard	D10047660	- 4
5	N605531S8	Bolt M8x1.25x20-9.8 Hex Head	-	- 12
6	ESL11720	Washer M8 Flat	D85500130	- 8
7	N620013S8	Nut M8x1.25-5 Hex	-	- 8
8	44726S8	Washer 3/8 Flat	-	- 4

TRANSMISSION HSG & CONTROL LEVER

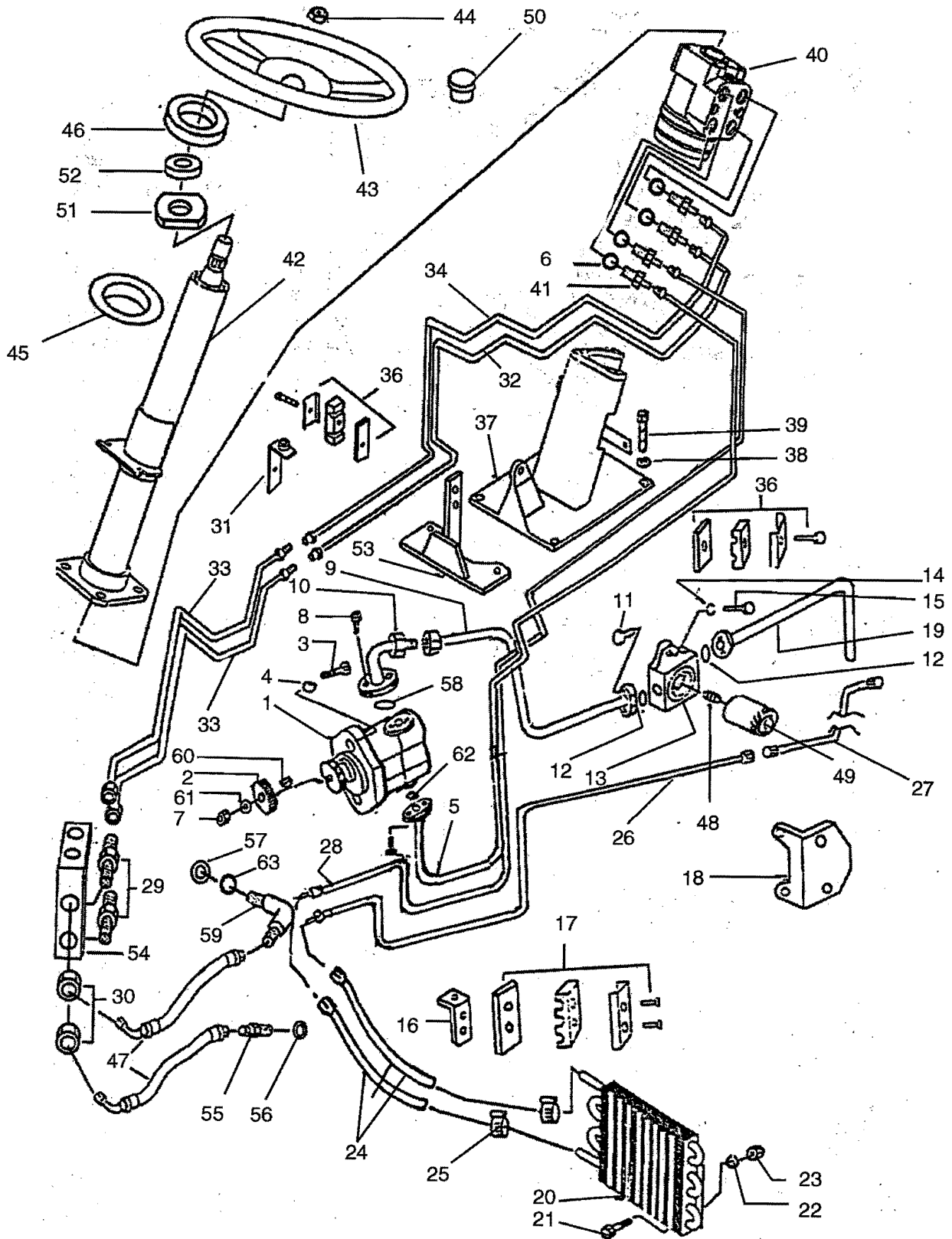
Ⓢ - SERIAL NUMBER BREAK , ↙ - INDICATES UP TO AND INCLUDING THAT SERIAL NUMBER

665 / 665 DTC

ITEM No.	PART No.	DESCRIPTION	VENDOR No.	QUANTITY 665 665 DTC
1	ESL13281	Pump Assembly Power Steering	D10013280	- 1
2	ESL14796	Gear Power Steering	D10012150	- 1
3	-	Bolt 3/8-16x2.50 Hex Head	-	- 2
4	ESL12016	Washer 3/8 Spring Lock	D86000010	- 2
5	ESL12723	Tube Assembly Pressure Power Steering	D10043510	- 1
6	ESL14798	Seal 'O' Ring 0.087x0.644	D93600070	- 4
7	ESL14846	Nut	2533559AA0	- 1
8	ESL14799	Screw M6x1.00x20 Hex Socket Head	D10046250	- 2
9	ESL14800	Tube Assembly Filter To Steering Pump	D10043540	- 1
10	ESL14801	Tube Assembly Steering Pump	D10044250	- 1
11	ESL12724	Bolt M6x.00x20-9.8 Hex Head	D81500490	- 4
12	ESL14802	Seal 'O' Ring 0.139x1.375	D93600260	- 2
13	ESL14803	Adapter Hydraulic Oil Filter	D10012140	- 1
14	ESL14921	Washer M12 Flat	D85500160	- 3
15	ESL12653	Screw M12x1.75x25-6.6 Hex Head	D82500090	- 2
16	ESL15380	Bracket Tubing Power Steering	D10044140	- 2
17	ESL12524	Clamp Assembly Tubing Power Steering	D10021250	- 2
18	ESL12732	Bracket Adapter Mounting	D10042500	- 1
19	ESL13301	Tube Assembly Housing To Filter Inlet	D10043120	- 1
20	ESL13302	Cooler Assembly Hydraulic Oil	D10039260	- 1
21	-	Bolt 3/8-16x0.75 Hex Head	-	- 2
22	ESL12017	Nut 3/8-16 Hex	D83000020	- 2
23	ESL12576	Washer 3/8 Spring Lock	D86000010	- 2
24	ESL12735	Hose Oil Cooler Return	D10042770	- 2
25	ESL14483	Clamp Assembly Fuel Tube	D10017460	- 4
26	ESL14811	Tube Assembly Return From Cooler	D10043530	- 1
27	ESL14812	Tube Assembly Return To Housing	D10043130	- 1
28	ESL14813	Tube Assembly Return To Cooler	D10043520	- 1
29	ESL14814	Adapter 9/16-18 High Pressure Tube	D10021280	- 2
30	ESL14815	Nut 9/16-18 Hex	D10021270	- 2
31	ESL14816	Bracket Tubing Support Power	D10047730	- 1
32	ESL14817	Tube Assembly Right Turn Power	D10043490	- 1
33	ESL14820	Tube Assembly Power Steering	D10045530	- 2
34	ESL14819	Tube Assembly Left Turn Power	D10043500	- 1
35	ESL14847	Seal 'O' Ring, (0.103x0.625)	D10042690	- 2
36	ESL14821	Clamp Assembly Tubing Power Steering	D93600090	- 2
37	ESL14822	Bracket Assembly Power Steering	D10042670	- 2
38	ESL12018	Washer 1/2 Spring Lock	D86000060	- 4
39	ESL14823	Bolt 1/2-13x1.38 Hex Head (Steering Gear)	D10012330	- 4
40	ESL14824	Motor Assembly - Hydrostatic Steering	1333240BA	- 1
41	ESL14825	Adapter 3/4 Power Steering	D10021080	- 4

GEARS & SHAFT

665 / 665 DTC



LEVER ASSEMBLY

5:25

Ⓢ - SERIAL NUMBER BREAK ,

↙ - INDICATES UP TO AND INCLUDING THAT SERIAL NUMBER

665 / 665 DTC

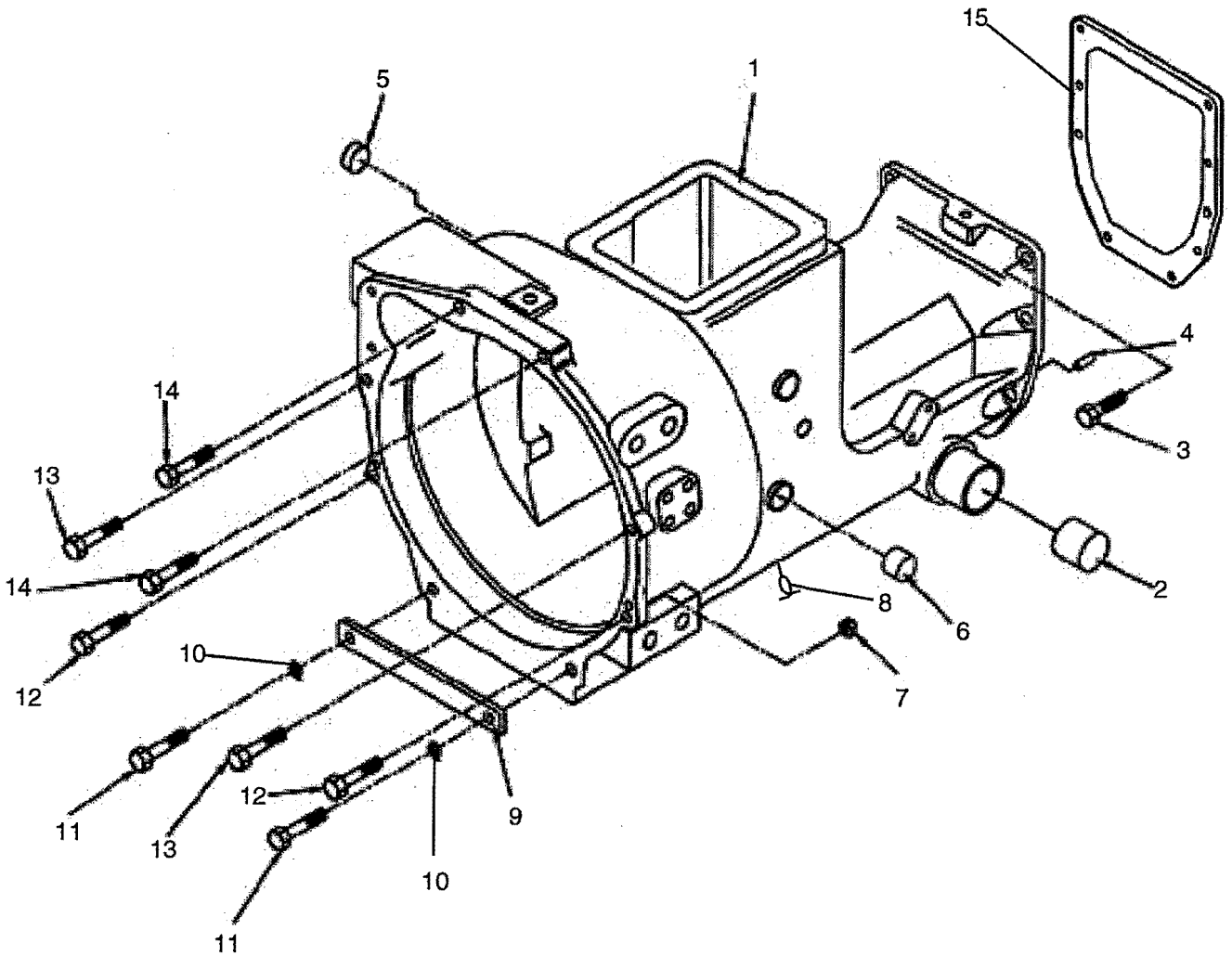
<i>ITEM No.</i>	<i>PART No.</i>	<i>DESCRIPTION</i>	<i>VENDOR No.</i>	<i>QUANTITY</i> 665 665 DTC
42	ESL14826	Column Assembly Power Steering	D10043840	- 1
43	ESL14827	Wheel Assembly Power Steering	D10039690	- 1
44	ESL14828	Nut Nylock Steering Wheel Retaining	D10018500	- 1
45	ESL14829	Grommet Steering Column Shroud	-	- 1
46	ESL14830	Seal Steering Column Dust	D10018530	- 1
47	ESL14831	Hose Assembly Power Steering	D10021130	- 2
48	ESL14832	Adapter Oil Filter	-	- 1
49	ESL11255	Filter Assembly Hydraulic	D10026160	- 1
50	ESL12232	Cap Steering Wheel	-	- 1
51	ESL14835	Nut, (11/16-20) Check	D10043570	- 1
52	ESL14836	Damper Ring	D10043560	- 1
53	ESL14837	Bracket Fuel Tank Mounitng	D10047770	- 1
54	ESL14838	Bracket Steering Hose Support	D10045570	- 1
55	ESL14839	Adapter Power Steering Pipe Fitting	D10045580	- 1
56	ESL14840	Washer M18 Flat Copper	D10045590	- 1
57	ESL14841	Washer, (21x24.2) Power Steering Elbow	D10045600	- 1
58	ESL14842	'O' Ring	87039S94	- 1
59	ESL14843	Elbow Power Steering Hose Fitting	D10045610	- 1
60	ESL14844	Key Woodruff	D91000210	- 1
61	ESL14845	Washer Lock	2533558AA	- 1
62	ESL10085	'O' Ring	-	- 1

LEVER ASSEMBLY

Notes

CLUTCH

665 / 665 DTC





CLUTCH

665 / 665 DTC

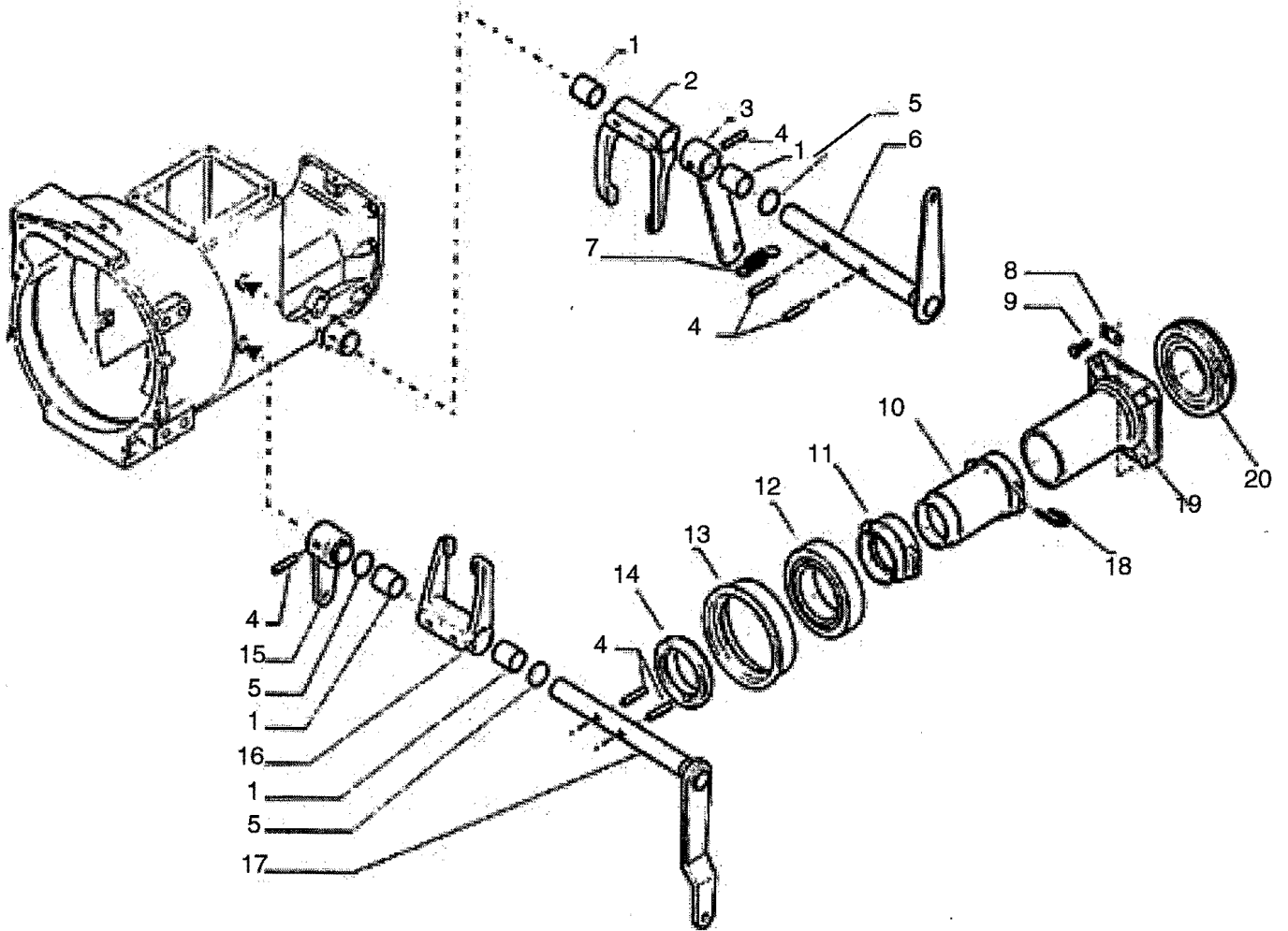
ITEM No.	PART No.	DESCRIPTION	VENDOR No.	QUANTITY
				665 665 DTC
1	ESL12770	Housing Kit (Includes Items 2,5,6)	-	
2	ESL10668	Bush Set, Brake Pedal Shaft	D10075230	
3	ESL12771	Bolt (M14x2.0x40)	D81500970	- 1
4	ESL12772	Dowel Pin	D10060850	- 8
5	ESL12773	Plug Cup	D10042960	- 2
			D10042950	- 1
6	ESL12774	Bush Clutch Shaft	-	- 4
7	33849S8	Nut, Hex (5/8-11)	D88400080	- 2
8	ESL13305	Pin, Cotter, Drain Hole	-	- 1
9	ESL13312	Stiffner, Engine Rear Cover Plate	-	- 1
10	34792S8	Washer, Lock (3/8)	-	- 2
			-	
11	304722S8	Bolt, Hex (3/8-16x1.25)	-	- 2
12	304955S8	Bolt, Hex (5/8-11x3.75)	-	- 2
13	304883S8	Bolt, Hex (5/8-11x2.375)	-	- 2
14	304912S8	Bolt, Hex (3/4-16x2.75)	D10066360	- 2
15	ESL12775	Gasket, Clutch Housing, to Transmission	-	- 1

CLUTCH HOUSING

Ⓢ - SERIAL NUMBER BREAK ,

↙ - INDICATES UP TO AND INCLUDING THAT SERIAL NUMBER

665 / 665 DTC



CLUTCH INNER CONTROLS



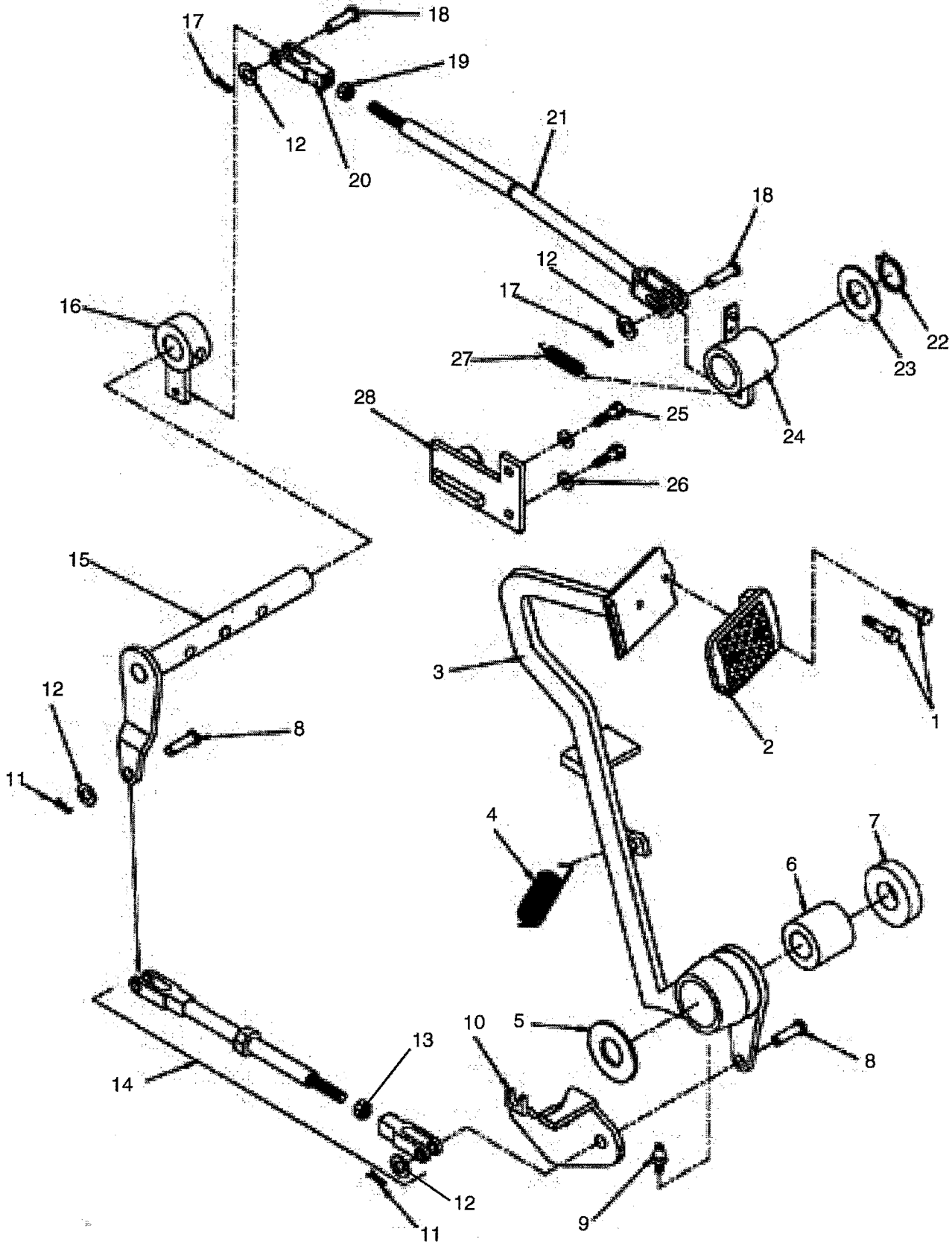
CLUTCH

665 / 665 DTC

<i>ITEM No.</i>	<i>PART No.</i>	<i>DESCRIPTION</i>	<i>VENDOR No.</i>	<i>QUANTITY</i> 665 665 DTC
1	ESL12774	Bush Clutch Shaft	D10042950	- 4
2	ESL12776	Fork PTO	D10061210	- 1
3	ESL12777	Lever Assembly PTO Clutch	D10061180	- 1
4	ESL12778	Pin	D87000130	- 4
5	ESL12779	O'Ring	D10042990	- 3
6	ESL12780	Shaft & Lever Assembly, PTO Clutch	-	- 1
7	ESL12781	Spring Clutch Return, PTO	D10061150	- 1
8	ESL12782	Plate, Spring Retaining	D10103820	- 1
9	E602189S8	Bolt	-	- 4
10	ESL12783	Hub, Clutch Release PTO	D10061230	- 1
11	ESL12784	Hub, Clutch Release	D10061240	- 1
12	ESL12785	Bearing, Clutch Release	D10061270	-
13	ESL12786	Sleeve	D10061260	- 1
14	ESL12787	Bearing, Clutch Release PTO	D10061250	- 1
15	ESL12788	Lever	D10063100	- 1
16	ESL12789	Fork Clutch Release	D10061200	- 1
17	ESL12790	Shaft & Lever Assembly Clutch	D10061220	- -
-	ESL12791	Shaft & Lever Assembly Clutch	D10103810	- 1
18	ESL12792	Spring	D10061160	- 4
19	ESL12793	Retainer, Clutch Release	D10061190	- -
-	ESL12794	Retainer, Clutch Release	D10103800	- 1
20	ESL12795	Bearing Assembly, Input Shaft	D10061140	- 1

CLUTCH INNER CONTROLS

665 / 665 DTC



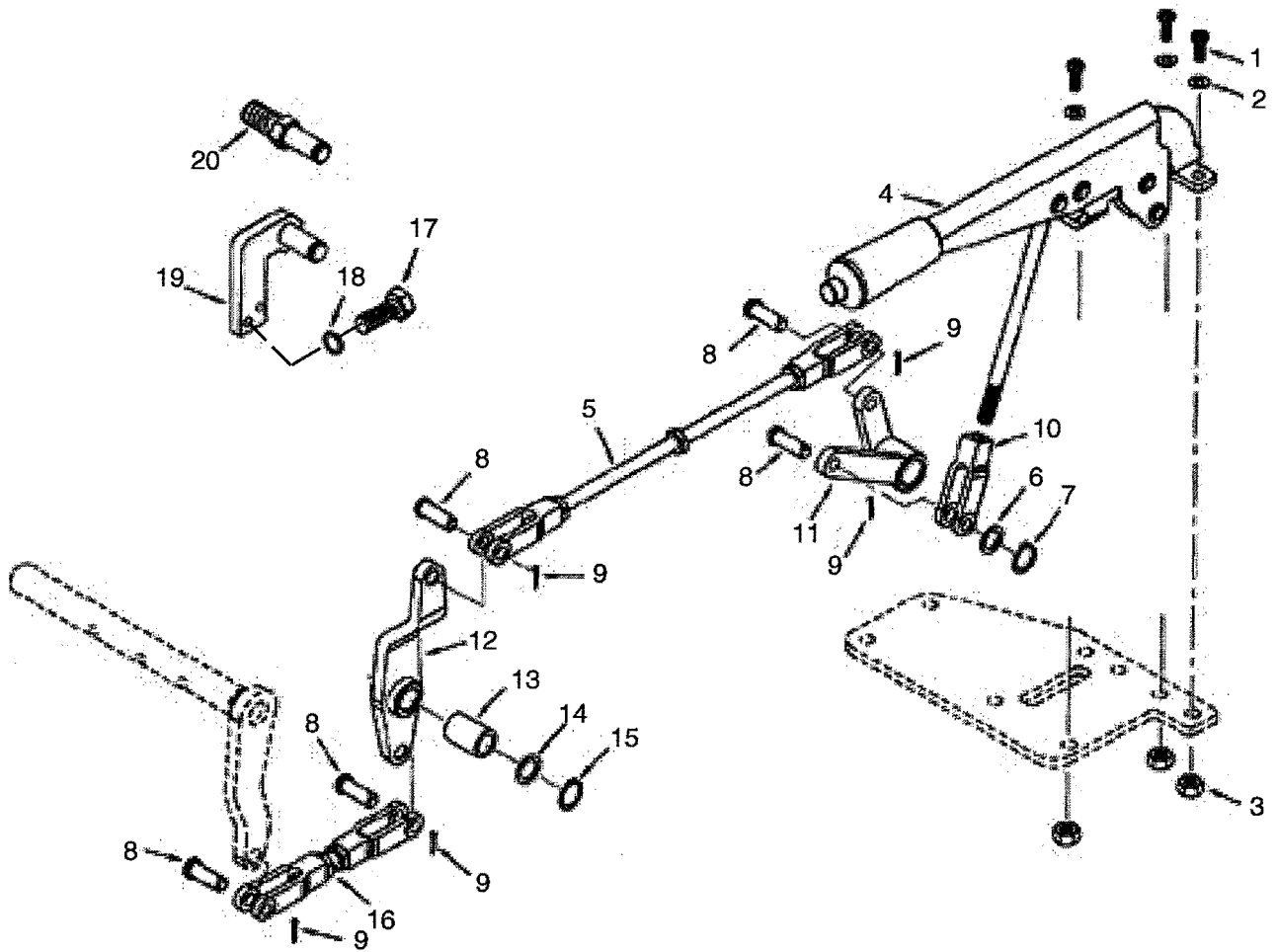
CLUTCH OUTER CONTROLS

665 / 665 DTC

ITEM No.	PART No.	DESCRIPTION	VENDOR No.	QUANTITY 665 665 DTC
1	N600212S8	Bolt	-	- 2
2	ESL12798	Pad Assembly, Clutch	D10042840	- 1
3	ESL13285	Pedal Assembly, Clutch	D10039500	- -
	ESL13286	Pedal Assembly, Clutch	D10046020	- 1
4	ESL10663	Spring	D10012380	- -
-	ESL12799	Spring	D10046920	- 1
5	ESL11700	Washer	D10012260	- -
-	ESL13409	Washer	D10067000	- 1
6	ESL12811	Bush Clutch Pedal	D10067010	- 1
-	ESL13318	Bush Clutch Pedal	-	- -
7	ESL11700	Washer	D10012260	- -
-	ESL13409	Washer	D10067000	- 1
8	73919S8	Pin, Clevis (3/8x1.4)	-	- 2
9	ESL10654	Grease Nipple	-	- 1
10	ESL13410	Bracket Clutch Pedal Spring	D10043000	- -
11	72017S8	Pin, Cotter (1/8x0.75)	-	- 2
12	44728S8	Washer, Flat (3/8)	-	- 4
13	33925S8	Nut (3/8-24)	-	- 1
14	ESL12800	Rod & Clevis Assembly	-	- -
-	ESL12801	Rod & Clevis Assembly	D10103830	- 1
15	ESL12790	Shaft & Lever Assembly, Clutch	D10061220	- -
-	ESL12791	Shaft & Lever Assembly, Clutch	D10103810	- 1
16	ESL12788	Lever F & R	D10063100	- 1
17	ESL12805	Pin Cotter	-	- 2
18	ESL12804	Pin Clevis	D93400070	- 2
19	N620042S8	Nut (M10)	-	- 1
20	N662423S8	Clevis (M10)	-	- 1
21	ESL12802	Rod & Clevis Assembly	D10043380	- -
-	ESL12803	Rod & Clevis Assembly	D10046480	- 1
22	ESL12808	Circlip	D90000180	- 1
23	ESL12807	Washer	-	- 1
24	ESL12806	Lever & Hub Assembly	D10043370	- 1
25	ESL12653	Bolt (M12x1.75x25)	-	- 2
26	N630070S8	Washer, Lock (M12)	-	- 2
27	ESL12809	Spring	D10043400	- 1
28	ESL12810	Bracket Assembly Pivot	D10043390	- 1

CLUTCH OUTER CONTROLS

665 / 665 DTC



PTO CLUTCH OUTER CONTROLS

665 / 665 DTC

ITEM No.	PART No.	DESCRIPTION	VENDOR No.	QUANTITY 665 665 DTC
1	ESL12724	Bolt (M6x1.00x20)	D81500490	- 3
2	N630067S8	Washer	-	- 3
3	N620012S8	Nut	-	- 3
4	ESL12812	Lever Assembly, PTO Clutch	-	- 1
5	ESL12813	Rod & Clevis Assembly, PTO Clutch	D10042880	- -
-	ESL12814	Rod & Clevis Assembly, PTO Clutch	D10047050	- 1
6	ESL11700	Washer	D10012260	- 1
7	ESL10983	Lock Ring	D10012470	- 1
8	73919S8	Pin Clevis (3/8x1.4)	-	- 5
9	72017S8	Pin Cotter(3/8x0.75)	-	- 5
10	97013S8	Clevis	-	- 1
11	ESL12816	Sleeve, PTO Clutch	D10042250	- 1
12	ESL12815	Hub & Lever Assembly	D10042890	- 1
13	ESL12819	Bush, Hub & Lever Assembly	D10042700	- 1
14	ESL12807	Washer	-	- 1
15	ESL12808	Circlip	D90000180	- 1
16	ESL12820	Rod & Clevis Assembly	D10043140	- 1
17	ESL12653	Bolt (M12x1.75x25)	-	- 2
18	N630070S8	Spring Washer (M12)	-	- 2
19	ESL13288	Bracket Assembly, PTO Clutch Pivot	D10066440	- -
-	ESL12818	Bracket Assembly, PTO Clutch Pivot	D10046740	- 1
20	ESL13413	Pin	D10043480	- -
-	ESL13414	Pin	-	- 1

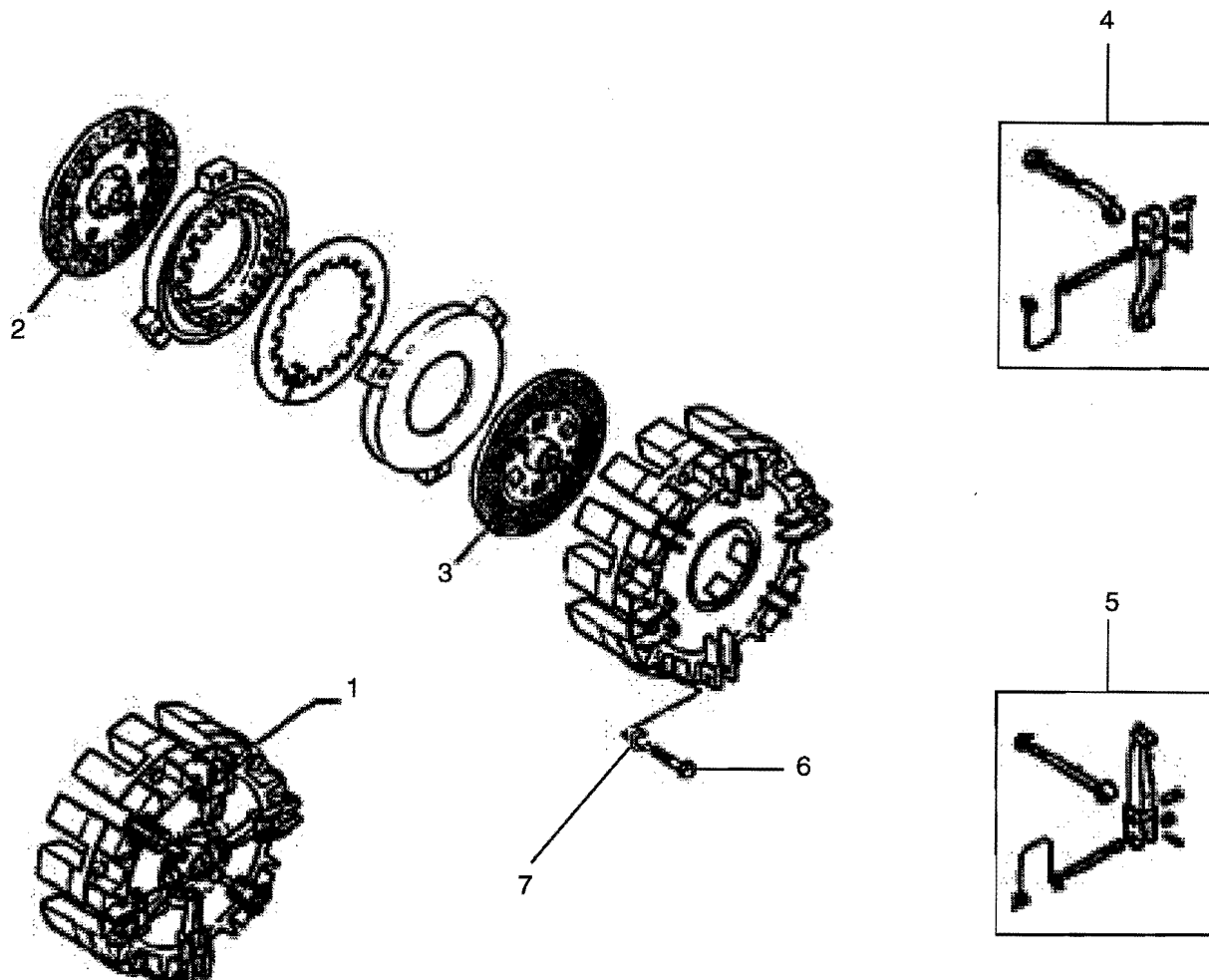
PTO CLUTCH OUTER CONTROLS

Ⓢ - SERIAL NUMBER BREAK ,

↙ - INDICATES UP TO AND INCLUDING THAT SERIAL NUMBER

665 / 665 DTC

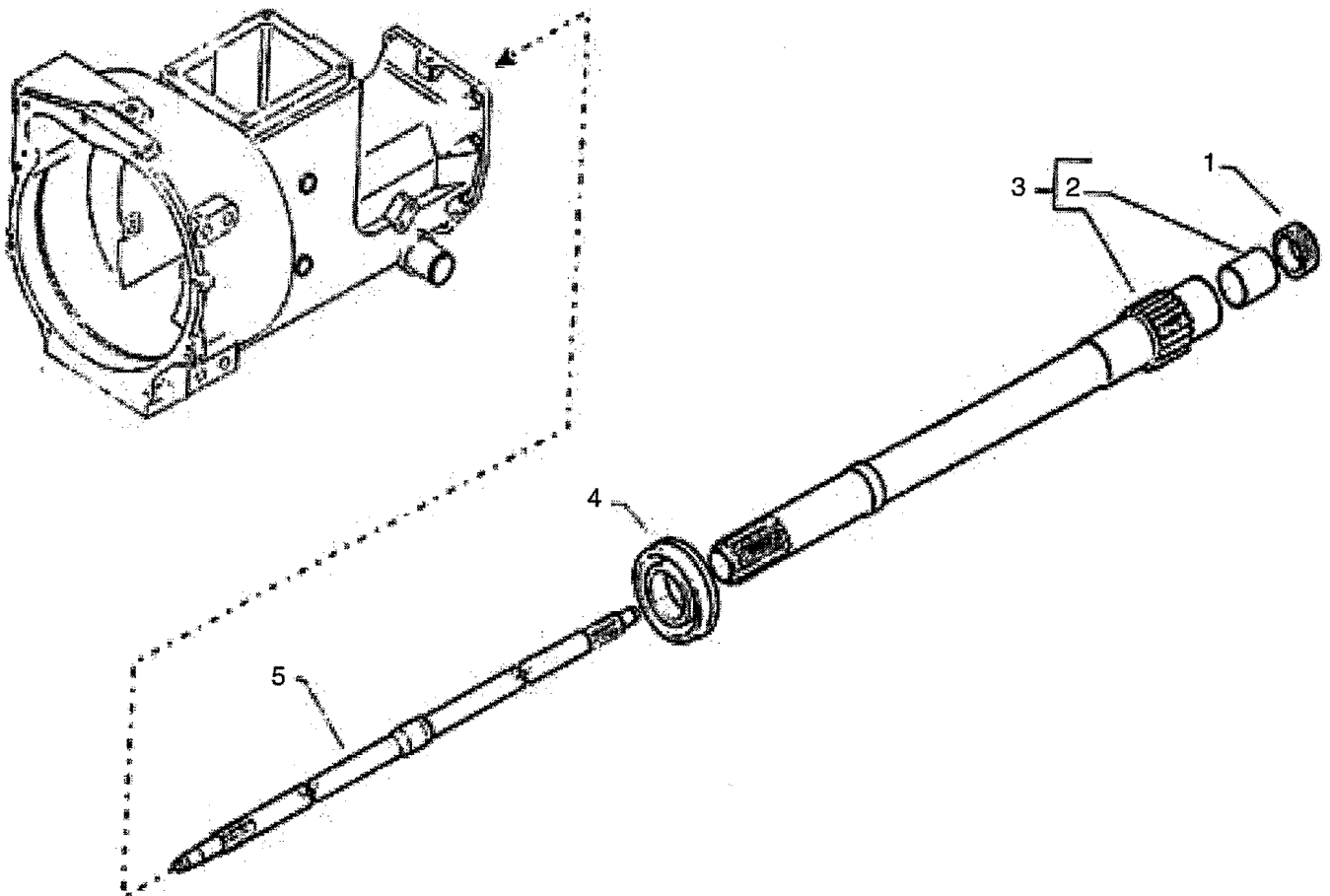
ITEM NO	PART NO.	DESCRIPTION	VENDOR No.	QUANTITY
				665 665 DTC
1	ESL12821	Clutch Assembly	D10039550	- 1
	ESL12822	Clutch Assembly	D10045800	- -
2	ESL12823	Clutch Plate, Main	D10065390	- 1
-	ESL12824	Clutch Plate, Main	D10103850	- -
3	ESL12825	Clutch Plate, PTO	D10068020	- 1
	ESL12826	Clutch Plate, PTO	D10103840	- -
4	ESL13333	Levers Kit	D10077150	- 1
5	ESL13334	Levers Kit	D10077160	- 1
6	ESL12827	Bolt (M8x1.25)	D81501320	- 6
-	ESL12828	Bolt (M10x1.5x60)	D81500670	- -
7	ESL12829	Washer, Lock (M8)	-	- 6
-	N630174S8	Washer, Lock (M10)	-	- -



CLUTCH ASSEMBLY

665 / 665 DTC

ITEM No.	PART No.	DESCRIPTION	VENDOR No.	QUANTITY
				665 665 DTC
1	ESL12830	Oil Seal	D10062520	1 1
2	ESL12831	Bush	D10062540	1 1
3	ESL12832	Transmission Shaft Kit, (Includes Item #2)	-	1 1
-	ESL13416	Transmission Shaft Kit, (Includes Item #2)	D10103860	- -
4	ESL12795	Bearing	D10061140	1 1
5	ESL12833	Shaft	D10062550	1 1
-	ESL13417	Shaft	-	- -



CLUTCH SHAFTS

Ⓢ - SERIAL NUMBER BREAK ,

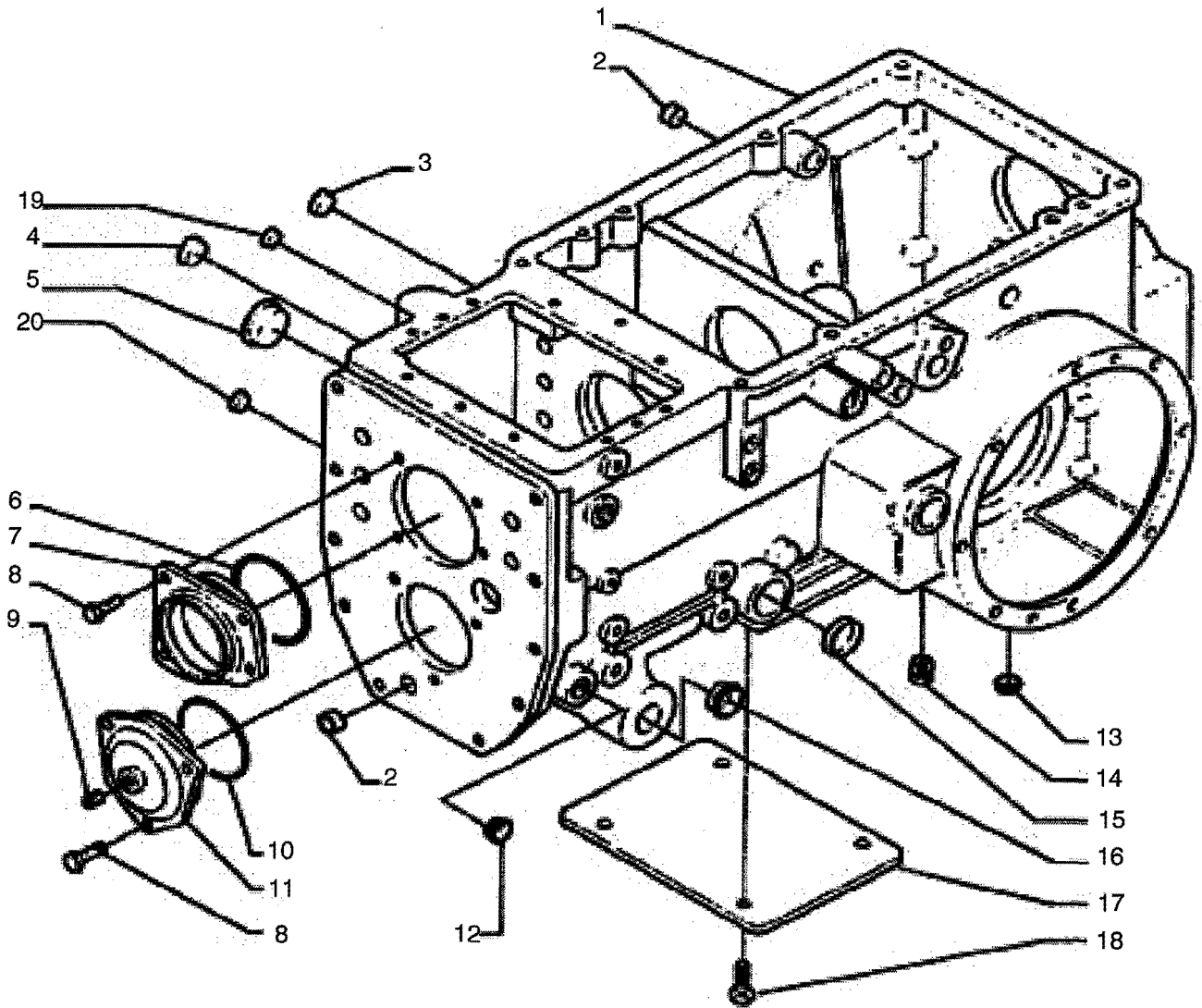


- INDICATES UP TO AND INCLUDING THAT SERIAL NUMBER

Notes

GEARBOX

665 / 665 DTC



Housing Gear Box

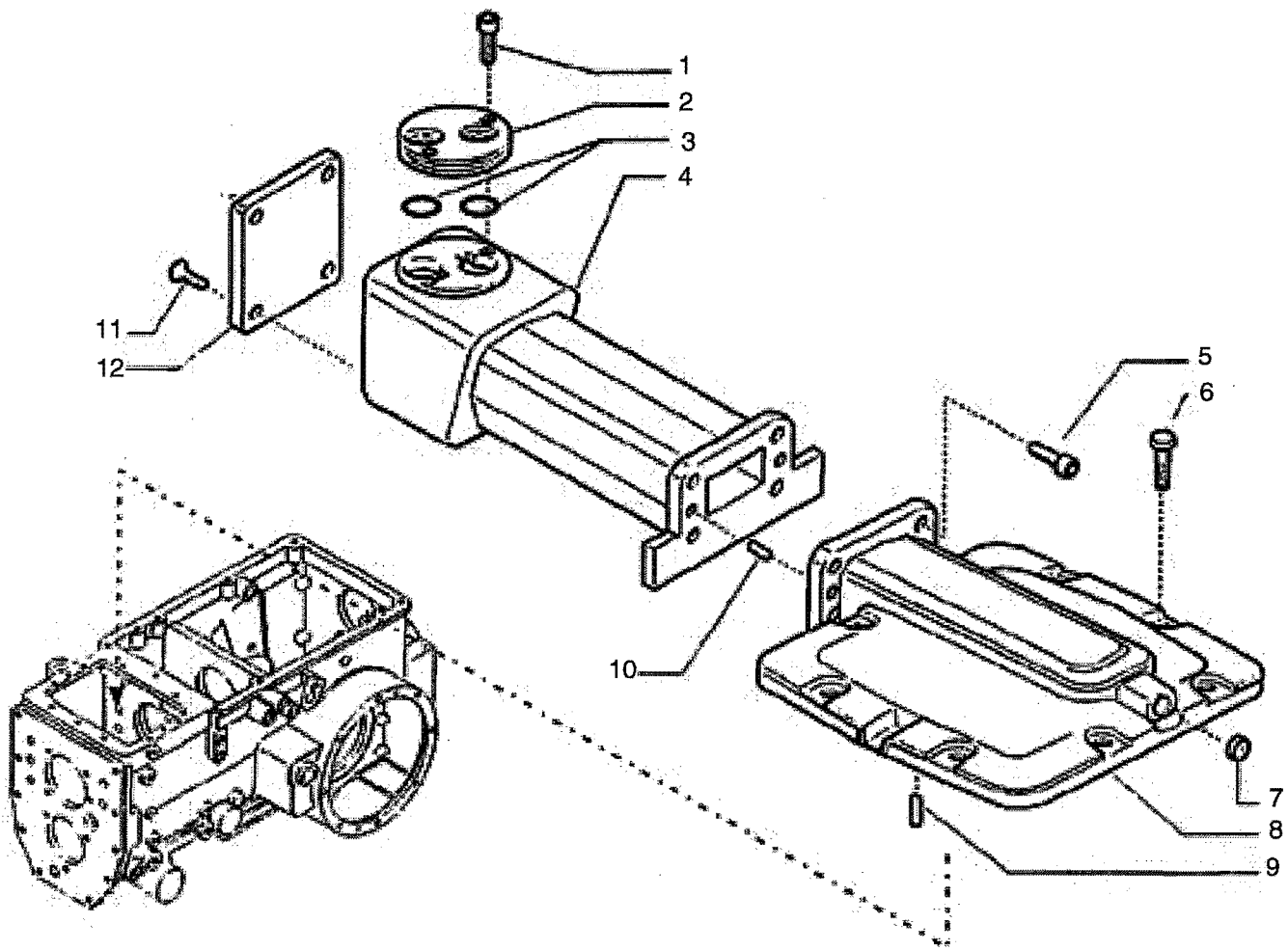
665 / 665 DTC

ITEM No.	PART No.	DESCRIPTION	VENDOR No.	QUANTITY
				665 665 DTC
1	ESL12834	Gear Box Housing Kit	D10062560	1 1
2	ESL12835	Plug (D20.35)	D10062570	2 2
3	ESL12836	Plug (D15.5)	D10062590	3 3
4	ESL12837	Plug (20.5)	D10062600	1 1
5	ESL12838	Plug (D39)	D10062610	1 1
6	ESL12839	'O'Ring	D10062620	1 1
7	ESL12840	Cover	D10062630	1 1
8	ESL12841	Bolt (M8x25)	-	7 7
9	ESL12842	Plug	D10062660	1 1
10	ESL12843	'O'Ring	D10062670	1 1
11	ESL12844	Cover	D10062690	1 1
12	ESL12845	Plug	D10062710	1 1
13	ESL12846	Plug (D14.5)	D10062720	2 2
14	ESL12847	Plug (M22x1.5)	D10084970	1 1
15	ESL12838	Plug (D39)	D10062610	1 1
16	ESL12849	Plug (D26)	D10062760	2 2
17	ESL12850	Cover	D10062770	1 1
18	ESL12851	Bolt	D81500840	4 4
19	ESL12852	Plug (D7)	D10062780	3 3
20	ESL12853	Plug (D11)	D10062790	10 10

HOUSING GEAR BOX

665 / 665 DTC

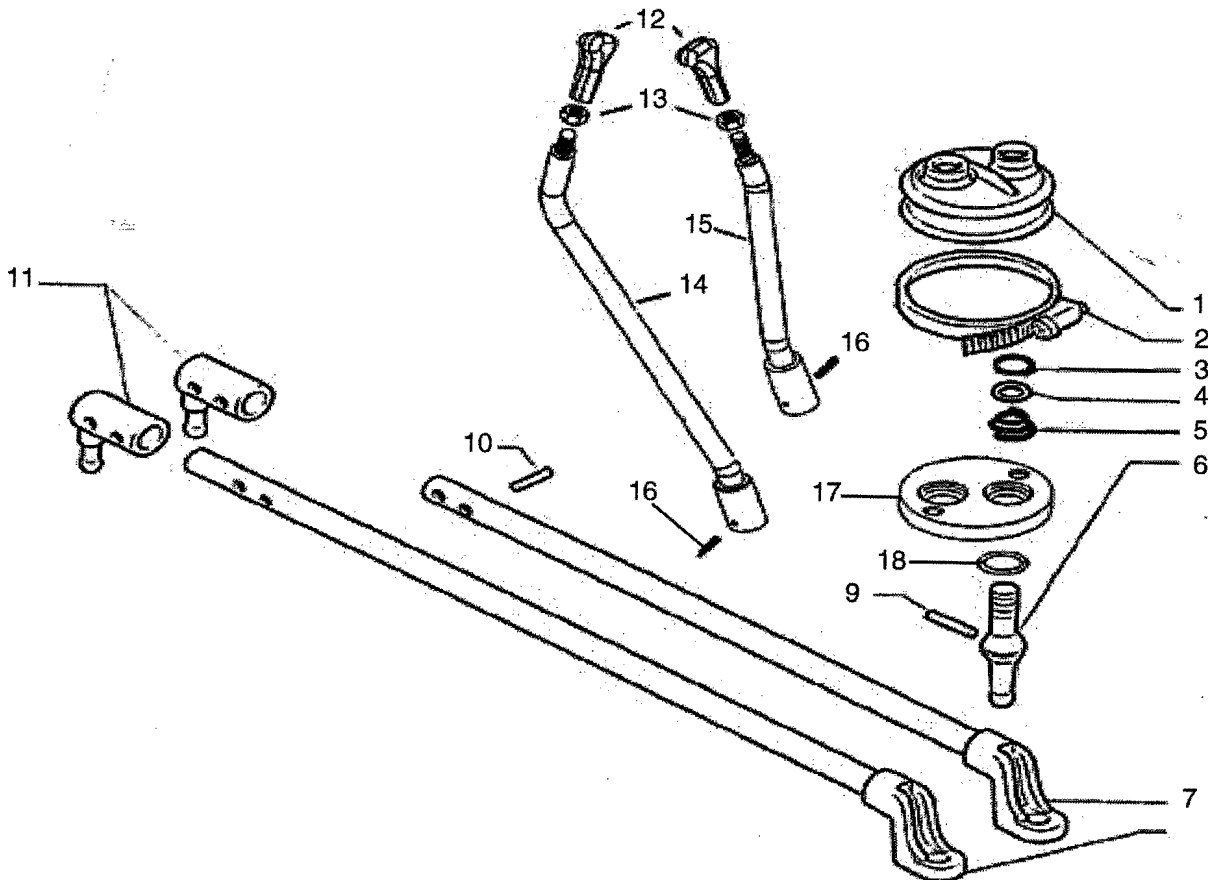
ITEM No	PART No.	DESCRIPTION	VENDOR No.	QUANTITY	
				665 665 DTC	
1	ESL12861	Screw (M8x16)	D82500420	2	2
2	ESL12862	Cover	D10062820	1	1
3	ESL12863	'O'Ring	D10062860	2	2
4	ESL12864	Lever Support	D10062870	1	1
5	ESL12865	Screw (M8x25)	D82500440	4	4
6	ESL12672	Bolt (M10x25)	-	8	8
7	ESL12866	Plug	D10062880	1	1
8	ESL12867	Cover	D10062890	1	1
9	ESL12868	Pin, Dowel	D10062900	2	2
10	ESL12869	Pin, Dowel	D10062910	2	2
11	ESL12871	Bolt (M6x12)	D81500980	4	4
12	ESL12870	Cover	D10062920	1	1



LEVER'S COVER

665 / 665 DTC

ITEM No.	PART No.	DESCRIPTION	VENDOR No.	QUANTITY
				665 665 DTC
1	ESL12872	Boot	D10062940	1 1
2	ESL12873	Hose Clamp	D10062960	1 1
3	ESL12874	Snap Ring (D16)	D90000340	2 2
4	ESL12875	Shim (26x16.5x1)	D10063030	2 2
5	ESL12876	Spring	D10063040	2 2
6	ESL12877	Lever	D10063050	2 2
7	ESL12878	Inner Rod	D10063060	1 1
8	ESL12879	Inner Rod	D10063070	1 1
9	ESL12869	Pin	D10062910	2 2
10	ESL12880	Pin (D6x26)	D93400250	4 4
11	ESL12881	Inner Lever	D10063120	2 2
12	ESL12882	Knob Gear Shift	D10042300	2 2
13	ESL12883	Nut (M10x1.00)	D10042100	2 2
14	ESL12884	Lever & Hub Assembly	D10043030	1 1
15	ESL12885	Lever & Hub Assembly	D10043060	1 1
16	ESL13418	Roll Pin	-	2 2
17	ESL12862	Cover	D10062820	1 1
18	ESL12863	O'Ring	D10062860	2 2

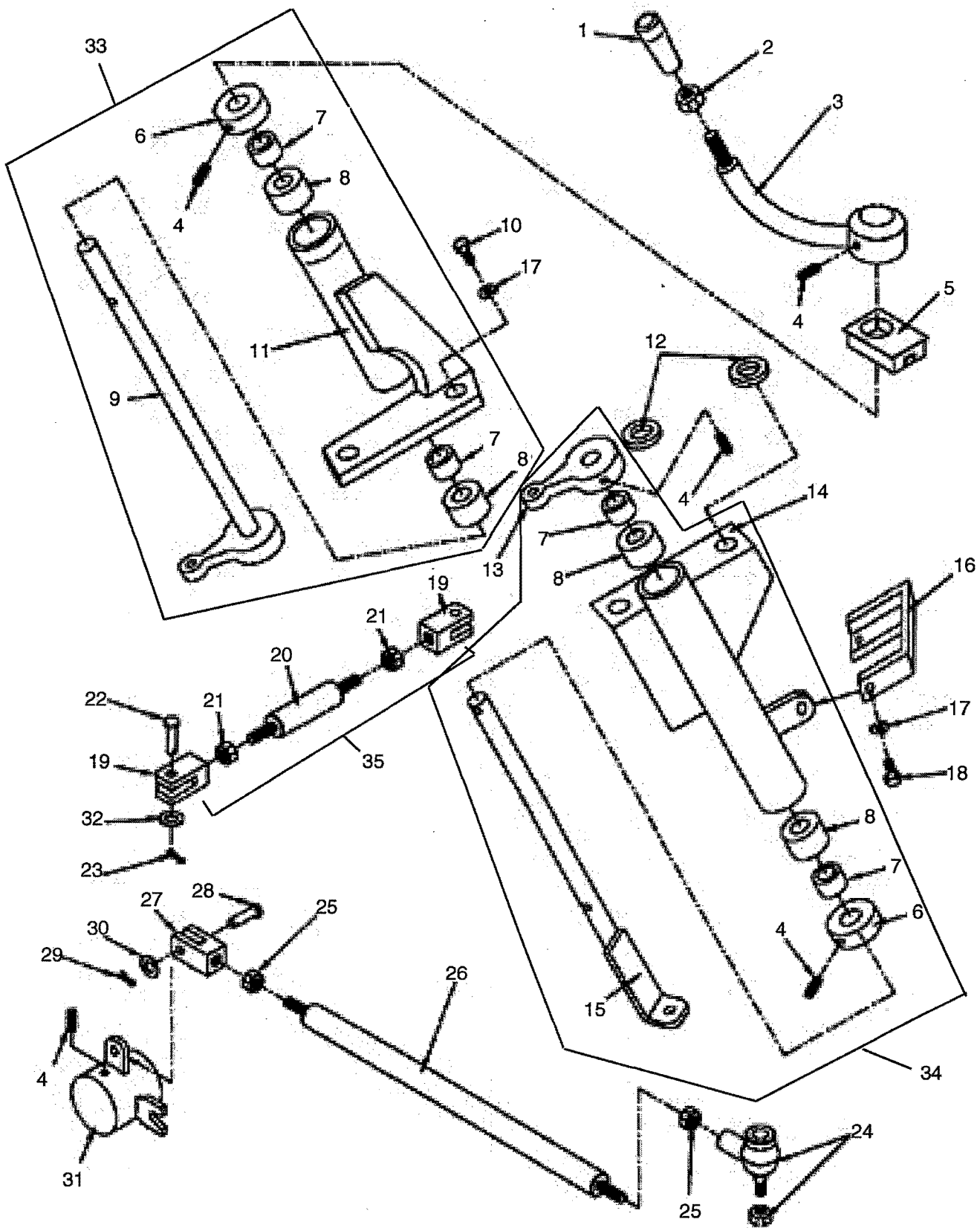


TRANSMISSION OUTER CONTROL

Ⓢ - SERIAL NUMBER BREAK ,

↙ - INDICATES UP TO AND INCLUDING THAT SERIAL NUMBER

665 / 665 DTC



REVERSER OUTER CONTROL

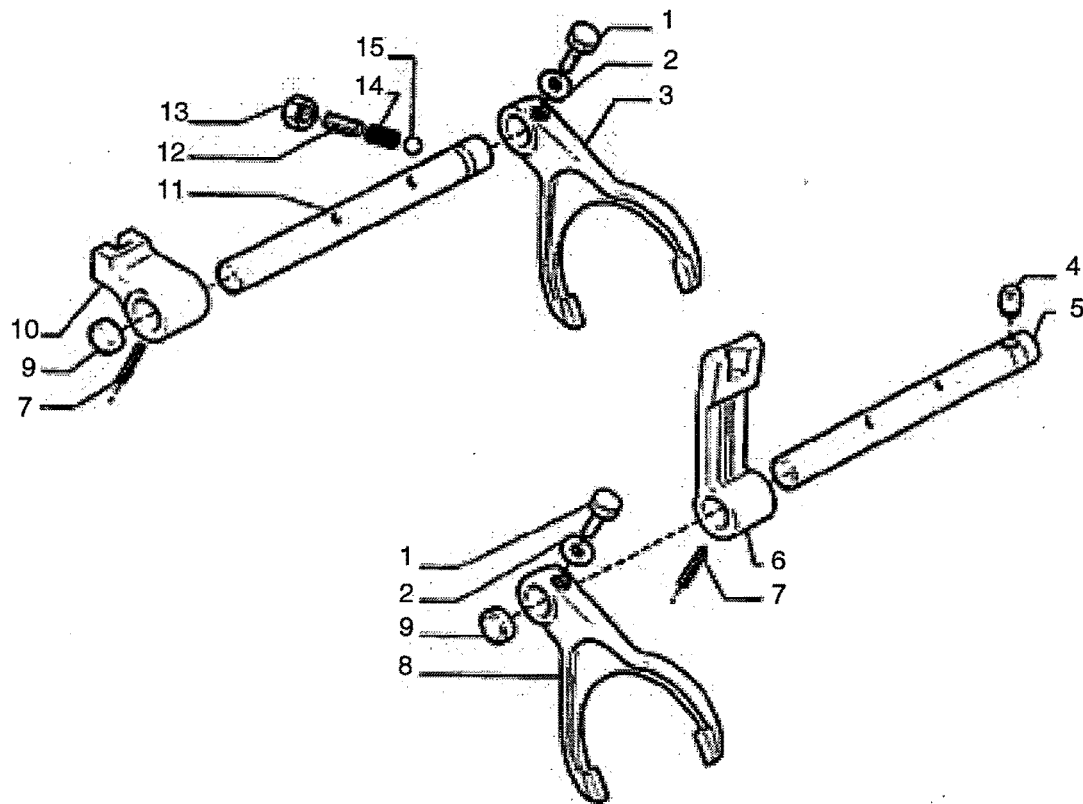
665 / 665 DTC

ITEM No.	PART No.	DESCRIPTION	VENDOR No.	QUANTITY	
				665	665 DTC
1	ESL12882	Knob	D10042300	1	1
2	ESL12883	Nut (M10x1.00)	D10042100	1	1
3	ESL12886	Handle F/R/ Gear Shift	D10042090	1	1
4	ESL12888	Roll Pin	D87000120	4	4
5	ESL12889	Grommet	D10042220	1	1
6	ESL12887	Retainer	-	2	2
7	ESL13437	Bush	D10042980	4	4
8	ESL12890	Adapter	D10043270	4	4
9	ESL13419	Shaft F/R, LH	D10043330	1	1
10	ESL12894	Bolt (M10x1.5x40)	-	4	4
11	ESL13425	Bracket & Tube Assembly, LH	-	1	1
12	ESL12898	Spacer	D10042070	2	2
13	ESL13420	Lever	D10043350	1	1
14	ESL13421	Bracket & Tube Assembly, RH	D10043340	1	1
15	ESL13422	Shaft F/R, RH	D10043320	-	-
-	ESL13423	Shaft F/R, RH	D10046490	1	1
16	ESL12896	Support	D10043290	1	1
17	N630174S8	Washer, Lock (M10)	-	3	3
18	ESL12897	Bolt (M10x1.5x30)	D81500370	1	1
19	97013S36	Clevis	-	2	2
20	ESL13642	Rod F/R Gear Shift	D10103880	1	1
21	33925S8	Nut, Hex (3/8-24)	-	2	2
22	73919S8	Pin, Clevis (3/8x1.4)	-	2	2
23	72017S8	Pin, Cotter (1/8x0.75)	-	2	2
24	ESL12900	Ball Joint Assembly	D10042110	1	1
25	ESL12901	Nut Hex, Thin	-	2	2
26	ESL12899	Rod, RH	D10043300	-	-
-	ESL13424	Rod, RH	-	1	1
27	ESL12902	Clevis	D10043280	1	1
28	ESL12904	Pin	D10042120	1	1
29	72035S8	Cotter Pin	-	1	1
30	ESL11956	Washer	D85500140	1	1
31	ESL12903	Lever & Hub Assembly	D10043310	1	1
32	44728S8	Washer, Flat (3/8)	-	2	2
33	ESL12891	Shaft & Bracket Assembly, LH	-	1	1
34	ESL12892	Shaft & Bracket Assembly, RH	-	-	-
35	ESL12895	Rod & Clevis Assembly	D10066430	1	1

REVERSER OUTER CONTROL

665 / 665 DTC

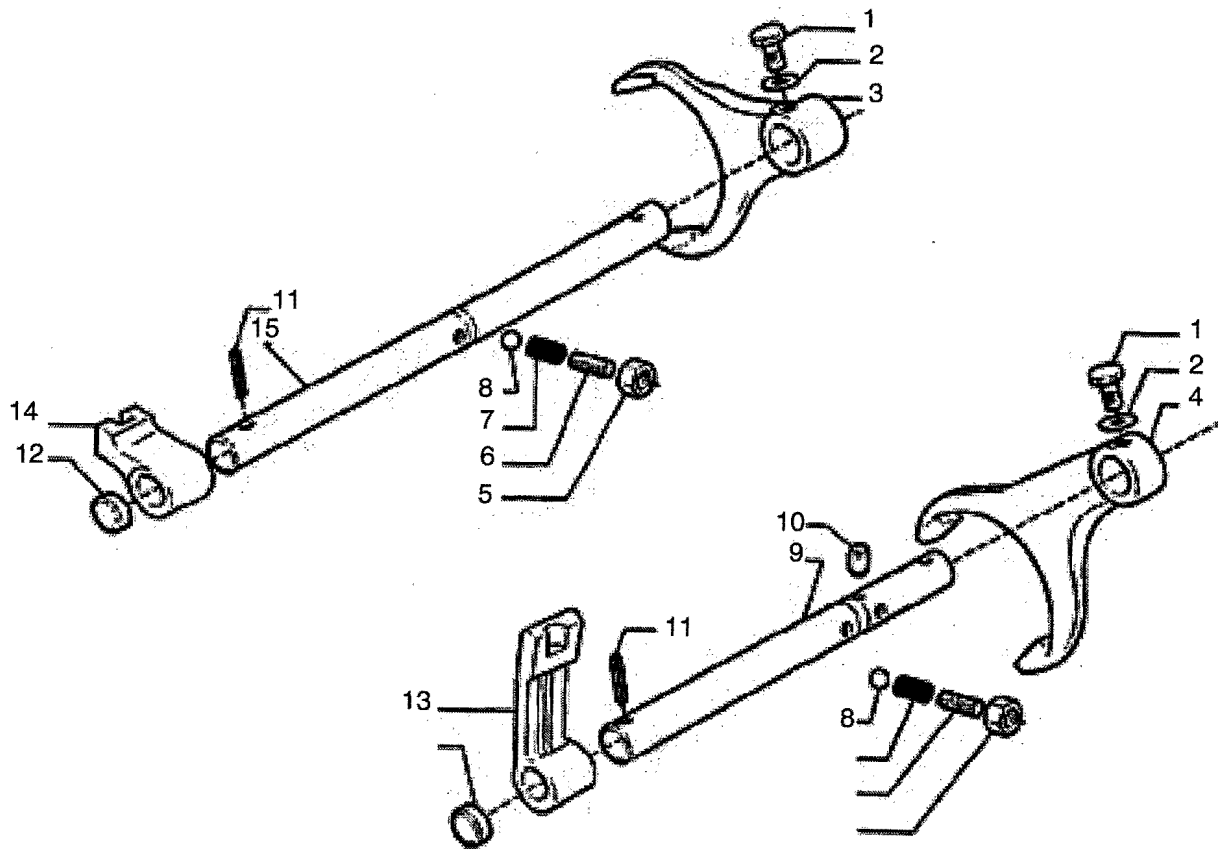
ITEM No	PART No.	DESCRIPTION	VENDOR No.	QUANTITY	
				665	665 DTC
1	ESL12905	Bolt	D81500850	2	2
2	ESL12906	Washer	D10063140	2	2
3	ESL12907	Fork 1-2	D10063250	1	1
4	ESL12908	Lock Pin	D10063260	1	1
5	ESL12909	Rod	D10063280	1	1
6	ESL12910	Block	D10063290	1	1
7	ESL12911	Pin (D6x30)	D10063300	2	2
8	ESL12912	Fork 3-4	D10062520	1	1
9	ESL12835	Plug (D20.35)	D10062570	2	2
10	ESL12913	Block	D10063330	1	1
11	ESL12914	Rod	D10063340	1	1
12	ESL12915	Grub Screw (M12x25)	D10086240	2	2
13	ESL12916	Nut (M12)	D10086250	2	2
14	ESL12917	Spring	D10086230	2	2
15	ESL12918	Ball	D10063380	2	2



GEAR BOX INNER CONTROLS

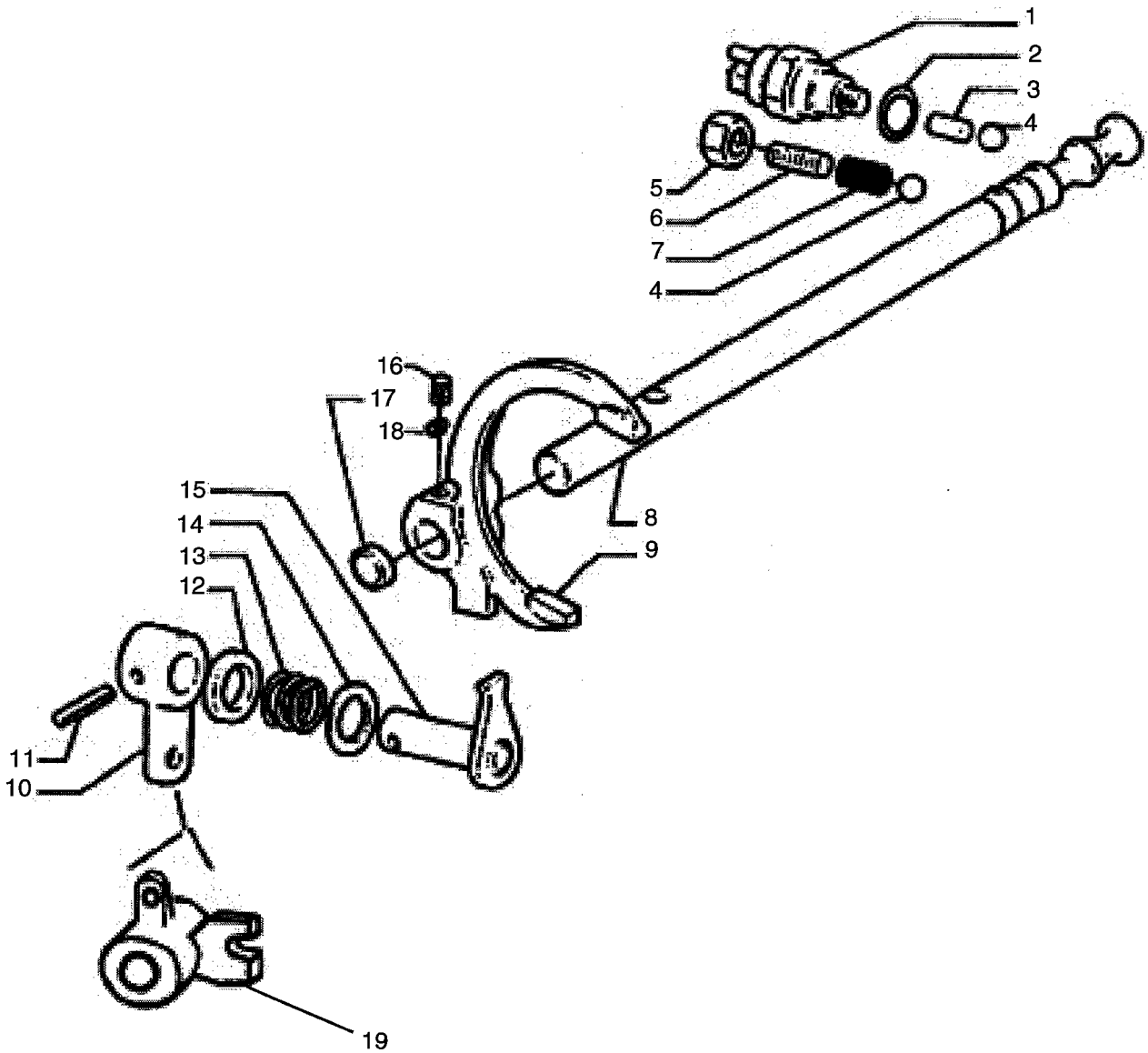
665 / 665 DTC

ITEM No.	PART No.	DESCRIPTION	VENDOR No.	QUANTITY	
				665	665 DTC
1	ESL12905	Bolt	D81500850	2	2
2	ESL12906	Washer	D10063140	2	2
3	ESL12919	Fork	D10063390	1	1
4	ESL12920	Fork	D10063450	1	1
5	ESL12916	Nut (M12)	D10086250	2	2
6	ESL12915	Grub Screw (M12x25)	D10086240	2	2
7	ESL12917	Spring	D10086230	2	2
8	ESL12918	Ball (D.3/8")	D10063380	2	2
9	ESL12921	Rod	D10063440	1	1
10	ESL12908	Lock Pin	D10063260	1	1
11	ESL12911	Pin (D6x30)	D10063300	2	2
12	ESL12835	Plug (D20.35x6)	D10062570	2	2
13	ESL12910	Block	D10063290	1	1
14	ESL12913	Block	D10063330	1	1
15	ESL12922	Rod	D10063430	1	1



REDUCER INNER CONTROLS

665 / 665 DTC



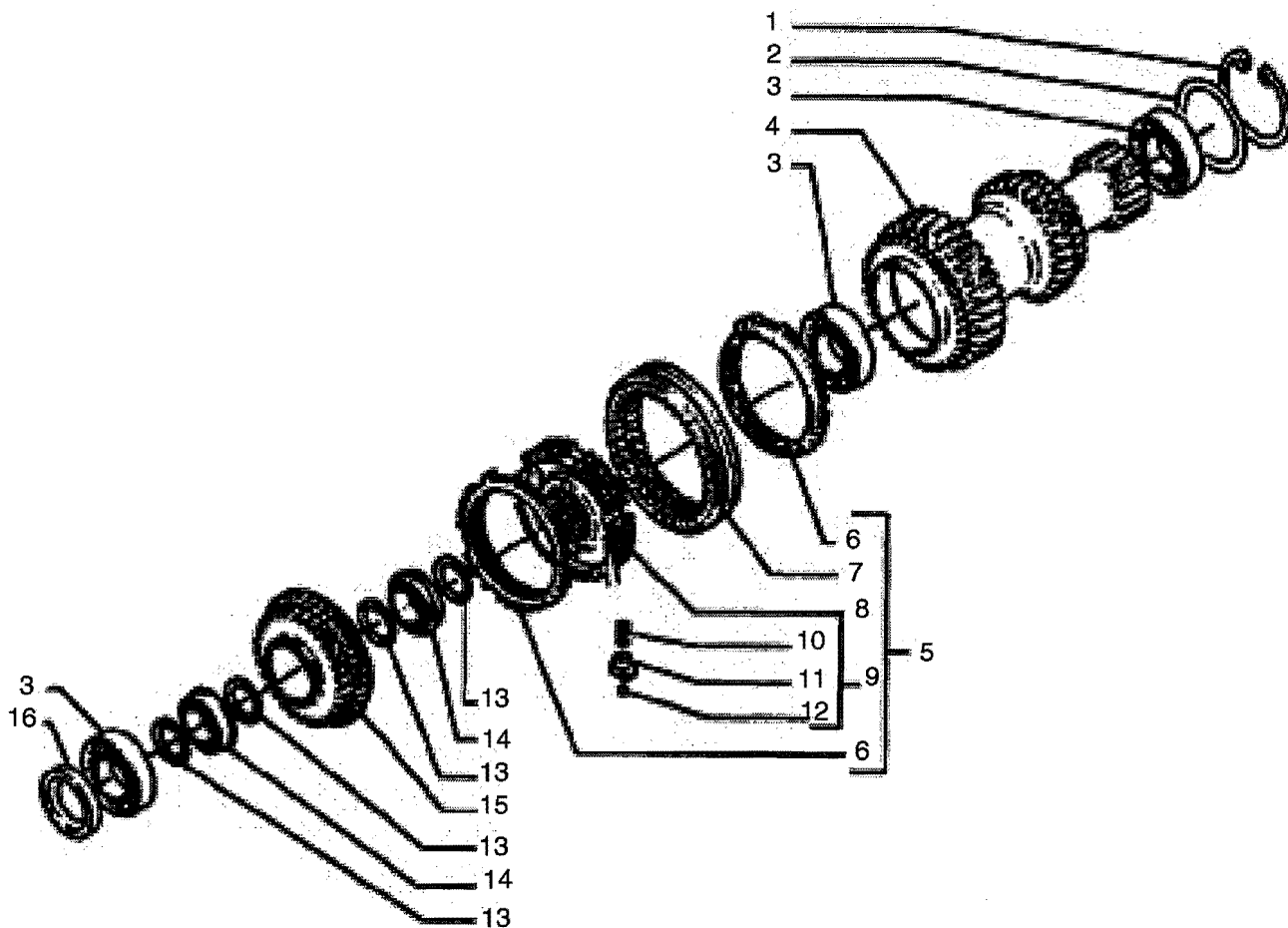
REVERSER INNER CONTROLS

665 / 665 DTC

ITEM No.	PART No.	DESCRIPTION	VENDOR No.	QUANTITY	
				665 665 DTC	
1	ESL12923	Sensor	D10063460	1	1
2	ESL12924	Washer	D10063470	1	1
3	ESL12925	Pin (D.9x17)	D10063480	1	1
4	ESL12918	Ball (D3/8")	D10063380	2	2
5	ESL12916	Nut (M12)	D10086250	1	1
6	ESL12915	Grub Screw (M12x25)	D10086240	1	1
7	ESL12917	Spring	D10086230	1	1
8	ESL12926	Rod	D10072640	1	1
9	ESL12927	Fork	D10074960	1	1
10	ESL12806	Lever & Hub Assembly	D10043370	1	1
11	ESL12928	Pin	D93400200	1	1
12	ESL12929	Oil Seal	D10063500	1	1
13	ESL12930	Spring	D10063510	1	1
14	ESL12931	Washer	D10063520	1	1
15	ESL12932	Lever	D10063540	1	1
16	ESL12905	Bolt	D81500850	1	1
17	ESL12835	Plug (D20.35x6)	D10062570	1	1
18	ESL12906	Washer	D10063140	1	1
19	ESL12903	Lever & Hub Assembly	D10043310	1	1

REVERSER INNER CONTROLS

665 / 665 DTC



PRIMARY SHAFT

7:11

Ⓢ - SERIAL NUMBER BREAK ,

↙ - INDICATES UP TO AND INCLUDING THAT SERIAL NUMBER



GEARBOX

665 / 665 DTC

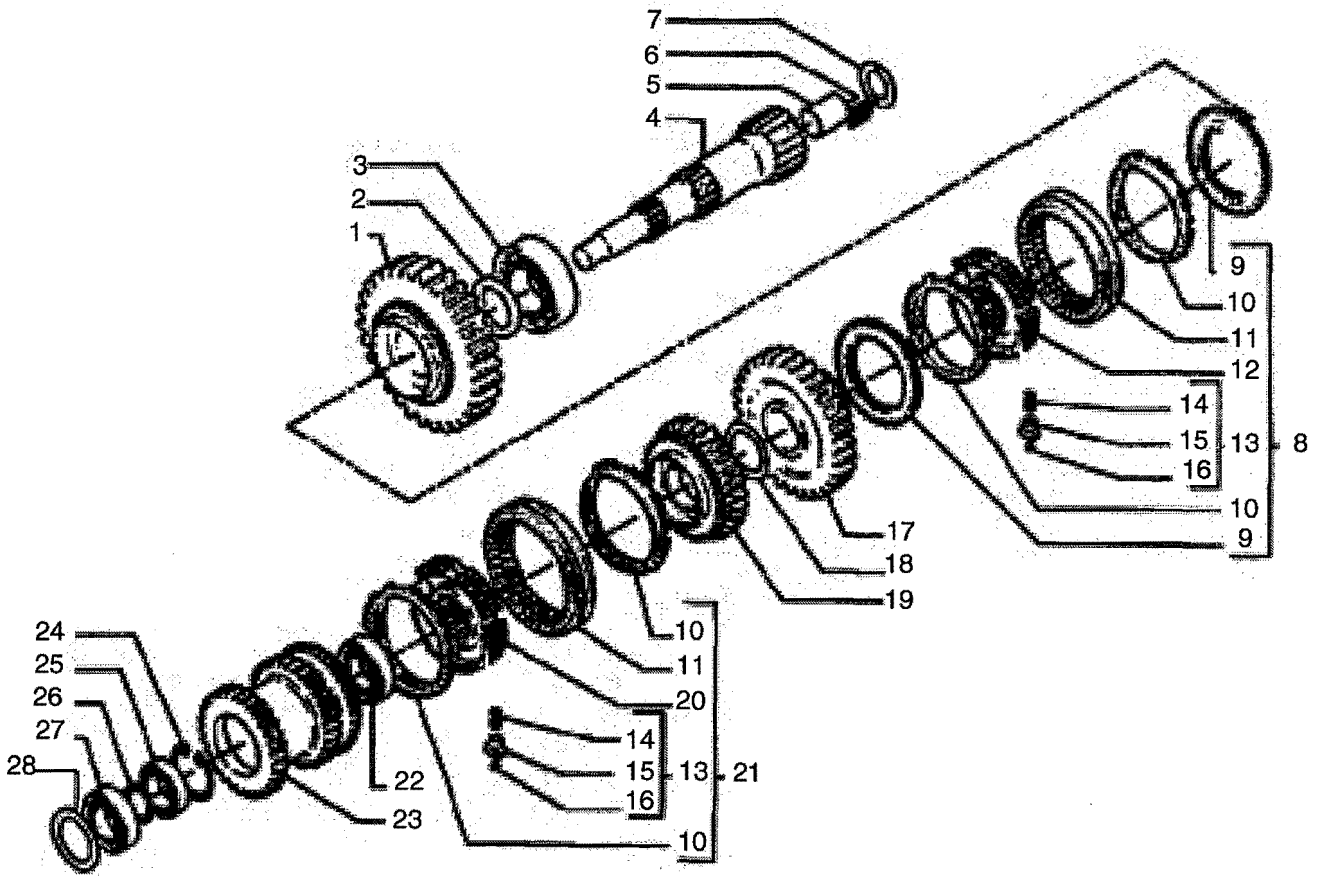
ITEM No.	PART No.	DESCRIPTION	VENDOR No.	QUANTITY	
				665 665 DTC	
1	ESL12934	Snap Ring	D90000280	1	1
2	ESL12935	Shim (0.05mm)	-	AR	AR
-	ESL12936	Shim (0.1mm)	D10063550	AR	AR
-	ESL12937	Shim (0.3mm)	D10063560	AR	AR
3	ESL12938	Bearing	D10063570	3	3
4	ESL12939	Primary Shaft	D10063580	1	1
5	ESL12940	Synchronizer Kit (Consists of Items#6,7,8,9)	D10076790	1	1
6	-	Ring (NSS)	-	2	2
7	-	Sleeve (NSS)	-	1	1
8	-	Hub (NSS)	-	1	1
9	ESL12941	Spring Kit (Includes Items#10-12)	D10081580	3	3
10	-	Spring (NSS)	-	3	3
11	-	Pad (NSS)	-	3	3
12	-	Ball (NSS)	-	3	3
13	ESL12942	Shim (0.5mm)	D10063600	AR	AR
-	ESL12945	Shim (0.3mm)	D10063640	AR	AR
-	ESL12946	Shim (0.1mm)	D10063660	AR	AR
14	ESL12943	Bearing	D10063610	2	2
15	ESL12944	Gear (Z=26)	D10063620	1	1
16	ESL12947	Oil Seal	D10063600	1	1

PRIMARY SHAFT

Ⓢ - SERIAL NUMBER BREAK ,

↙ - INDICATES UP TO AND INCLUDING THAT SERIAL NUMBER

665 / 665 DTC



SECONDARY SHAFT

7:13

Ⓢ - SERIAL NUMBER BREAK, ↙ - INDICATES UP TO AND INCLUDING THAT SERIAL NUMBER

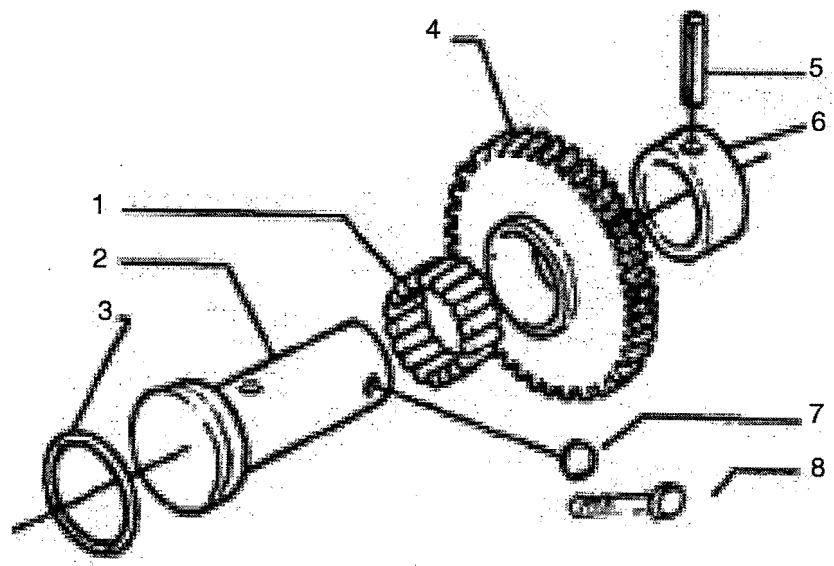
665 / 665 DTC

ITEM No.	PART No.	DESCRIPTION	VENDOR No.	QUANTITY	
				665 665 DTC	
1	ESL12948	Gear (Z-44)	D10063680	1	1
2	ESL12949	Spacer	D10063690	1	1
3	ESL12950	Bearing	D10063700	1	1
4	ESL12951	Secondary Shaft (Z-20)	D10063710	1	1
5	ESL12952	Bush	D10063720	1	1
6	ESL12953	Bearing Needles	D10063730	19	19
7	ESL12954	Thrust Washer	D10063740	1	1
8	ESL12955	Synchronizer Kit	D10076800	1	1
9	-	(Consists of Items #9-13) Synchronizing Ring (NSS)	-	2	2
10	-	Tapered Ring	-	4	4
11	-	Sleeve(NSS)	-	2	2
12	-	Hub(NSS)	-	1	1
13	ESL12941	Spring Kit	D10081580	6	6
14	-	(Consists of Items #14-16 1 each) Spring (NSS)	-	6	6
15	-	Pad (NSS)	-	6	6
16	-	Ball (NSS)	-	6	6
17	ESL12956	Gear (Z-39)	D10063750	1	1
18	ESL12957	Spacer	D10063760	1	1
19	ESL12958	Gear (Z-33)	D10063770	1	1
20	-	Hub(NSS)	-	1	1
21	ESL12959	Synchronizer Kit	D10076810	1	1
22	ESL12960	(Consists Of Items #10-11,13,20) Bearing	D10063780	1	1
23	ESL12961	Gear (Z-28/28)	D10063790	1	1
24	ESL12962	Snap Ring	D90000290	1	1
25	ESL12963	Bearing	D10063800	1	1
26	ESL12964	Spacer	D10063810	1	1
27	ESL12965	Bearing	D10063820	1	1
28	ESL12966	Shim (0.1mm)	D10063830	AR	AR
-	ESL12967	Shim (0.3mm)	D10063840	AR	AR
-	ESL12968	Shim (0.5mm)	D10063850	AR	AR

SECONDARY SHAFT

665 / 665 DTC

ITEM No	PART No.	DESCRIPTION	VENDOR No.	QUANTITY	
				665	665 DTC
1	ESL12854	Needle Bearing	D10063860	1	1
2	ESL12855	Shaft	D10063870	1	1
3	ESL12856	O'Ring	D10085560	1	1
4	ESL12857	Gear (Z=21)	D10063890	1	1
5	ESL12858	Pin	D93400210	1	1
6	ESL13192	Bush	D10063900	1	1
7	ESL12859	Washer	D10063910	1	1
8	ESL12860	Screw (M12x47)	D82500360	1	1



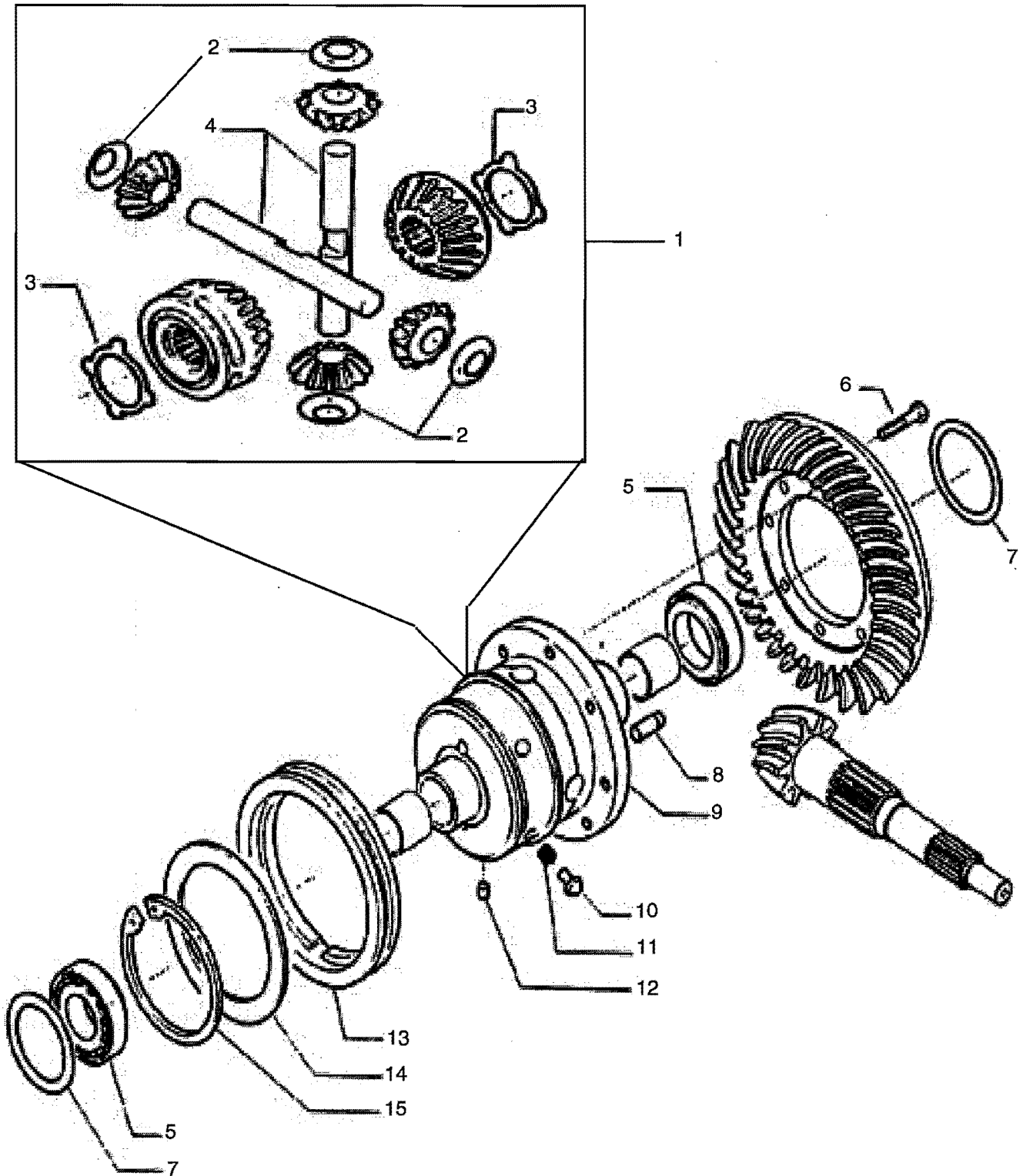
REVERSE GEAR

665 / 665 DTC

SECTION 8

**REAR END
&
P.T.O.**

665 / 665 DTC



REAR DIFFERENTIAL



REAR END & PTO

665 / 665 DTC

ITEM No.	PART No.	DESCRIPTION	VENDOR No.	QUANTITY	
				665 665 DTC	
1	ESL12969	Differential Kit (Includes Items # 1-4)	D10081590	1	1
2	ESL12970	Thrust Washer	D10064160	4	4
3	ESL12971	Thrust Washer	D10064170	2	2
4	ESL12972	Shaft	D10064180	2	2
5	ESL12973	Bearing	D10064190	2	2
6	ESL12974	Bolt (M12x80)	D81500940	8	8
7	ESL12975	Shim (0.1mm)	D10064200	AR	AR
-	ESL12976	Shim (0.3mm)	D10064210	AR	AR
-	ESL12977	Shim (0.5mm)	D10064220	AR	AR
-	ESL12978	Shim (0.05mm)	D10064230	AR	AR
8	ESL13065	Pin (D12x30)	D10081640	1	1
9	ESL12979	Differential Box	D10064250	1	1
10	ESL12980	Pin	D10064260	4	4
11	ESL12981	Spring	D10064270	4	4
12	ESL12982	Pin	D10064280	1	1
13	ESL12983	Sleeve	D10064290	1	1
14	ESL12984	Flange	D10064300	1	1
15	ESL12985	Snap Ring	-	1	1

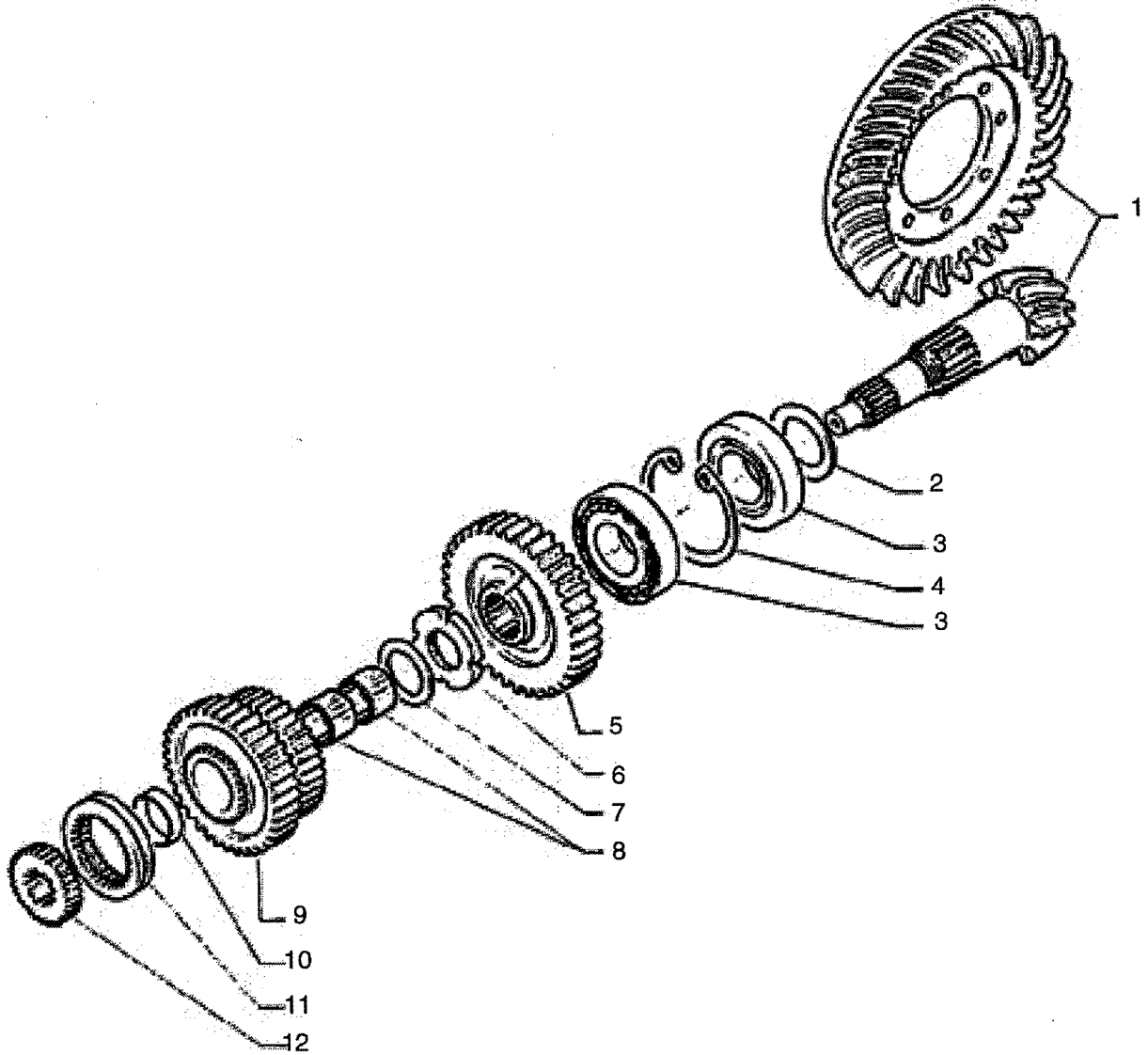
REAR DIFFERENTIAL

Ⓢ - SERIAL NUMBER BREAK ,



- INDICATES UP TO AND INCLUDING THAT SERIAL NUMBER

665 / 665 DTC



BEVEL GEAR SET



REAR END & PTO

665 / 665 DTC

ITEM No.	PART No.	DESCRIPTION	VENDOR No.	QUANTITY	
				665	665 DTC
1	ESL12996	Bevel Gear Set (Z-12/38) (Includes Items #1-2,6)	D10081610	1	1
2	ESL12997	Shim (2.5)	D10063930	4	4
-	ESL12998	Shim (2.6)	D10063940	AR	AR
-	ESL12999	Shim (2.7)	D10063950	AR	AR
-	ESL13000	Shim (2.8)	D10063960	AR	AR
-	ESL13001	Shim (2.9)	D10063970	AR	AR
-	ESL13002	Shim (3.0)	D10063990	AR	AR
-	ESL13003	Shim (3.1)	D10064000	AR	AR
-	ESL13004	Shim (3.2)	D10064010	AR	AR
-	ESL13005	Shim (3.3)	D10064020	AR	AR
-	ESL13006	Shim (3.4)	D10064030	AR	AR
-	ESL13007	Shim (3.5)	D10064040	AR	AR
3	ESL13008	Bearing	D10064060	2	2
4	ESL13009	Snap Ring	D90000300	1	1
5	ESL13010	Gear (Z-40)	D10064070	1	1
6	ESL13011	Ring Nut (45x1.5)	D10064080	1	1
7	ESL13012	Thrust Washer	D10064090	1	1
8	ESL13013	Bearing, Needle	D10064100	2	2
9	ESL13014	Gear (Z-34/26)	D10064110	1	1
10	ESL13015	Spacer	D10064120	1	1
11	ESL13016	Collar	D10064130	1	1
12	ESL13017	Gear	D10064140	1	1

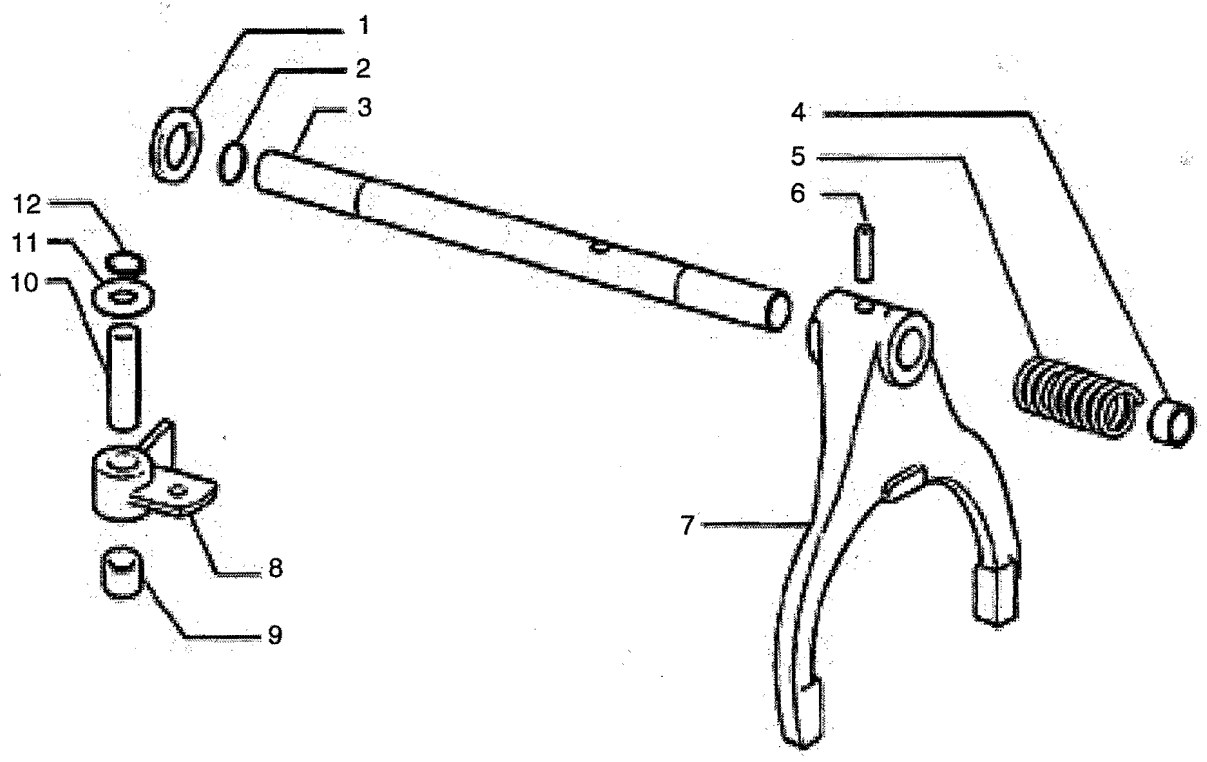
BEVEL GEAR SET

Ⓢ - SERIAL NUMBER BREAK, ↙ - INDICATES UP TO AND INCLUDING THAT SERIAL NUMBER

8:4

665 / 665 DTC

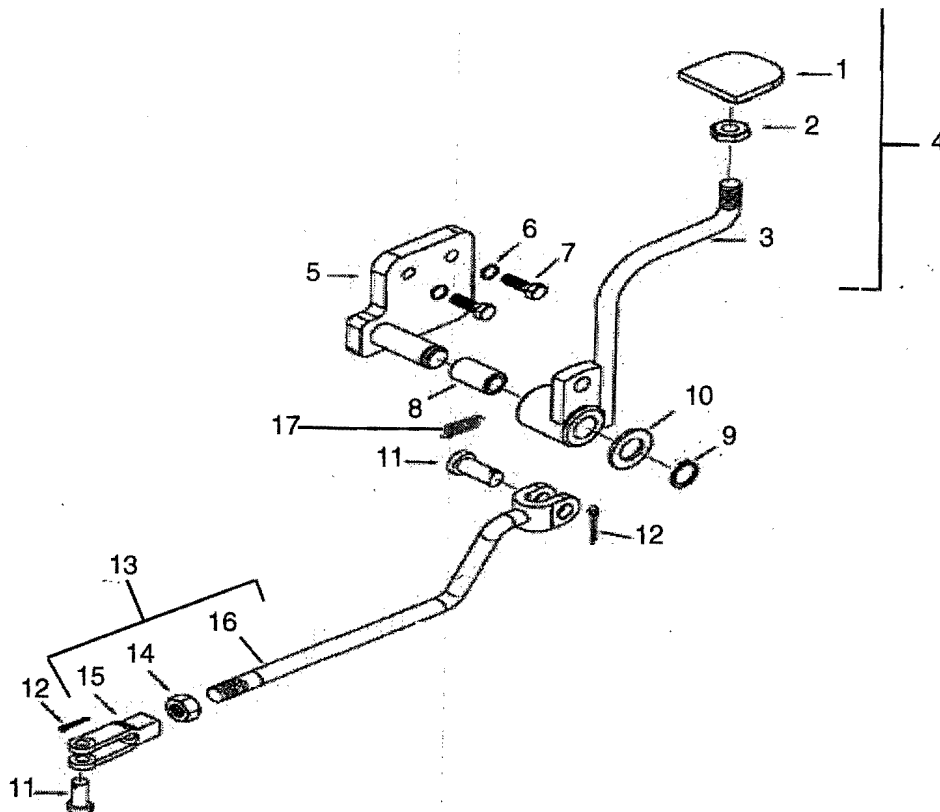
ITEM No	PART No.	DESCRIPTION	VENDOR No.	QUANTITY	
				665	665 DTC
1	ESL13018	Seal, Ring	D10064310	1	1
2	ESL13019	O'Ring	D10064330	1	1
3	ESL13020	Drive Shaft	D10064340	1	1
4	ESL12835	Plug	D10062570	1	1
5	ESL13021	Spring	D10064350	1	1
6	ESL12778	Pin (D8x36)	D87000130	1	1
7	ESL13022	Fork	D10064370	1	1
8	ESL13023	Lever Kit (Includes Item #9)	-	1	1
9	ESL12819	Bush	D10042700	1	1
10	ESL13024	Pin (D15x51)	D10064390	1	1
11	ESL12807	Washer	-	1	1
12	ESL12808	Circlip	D90000180	1	1



REAR DIFFERENTIAL LOCK

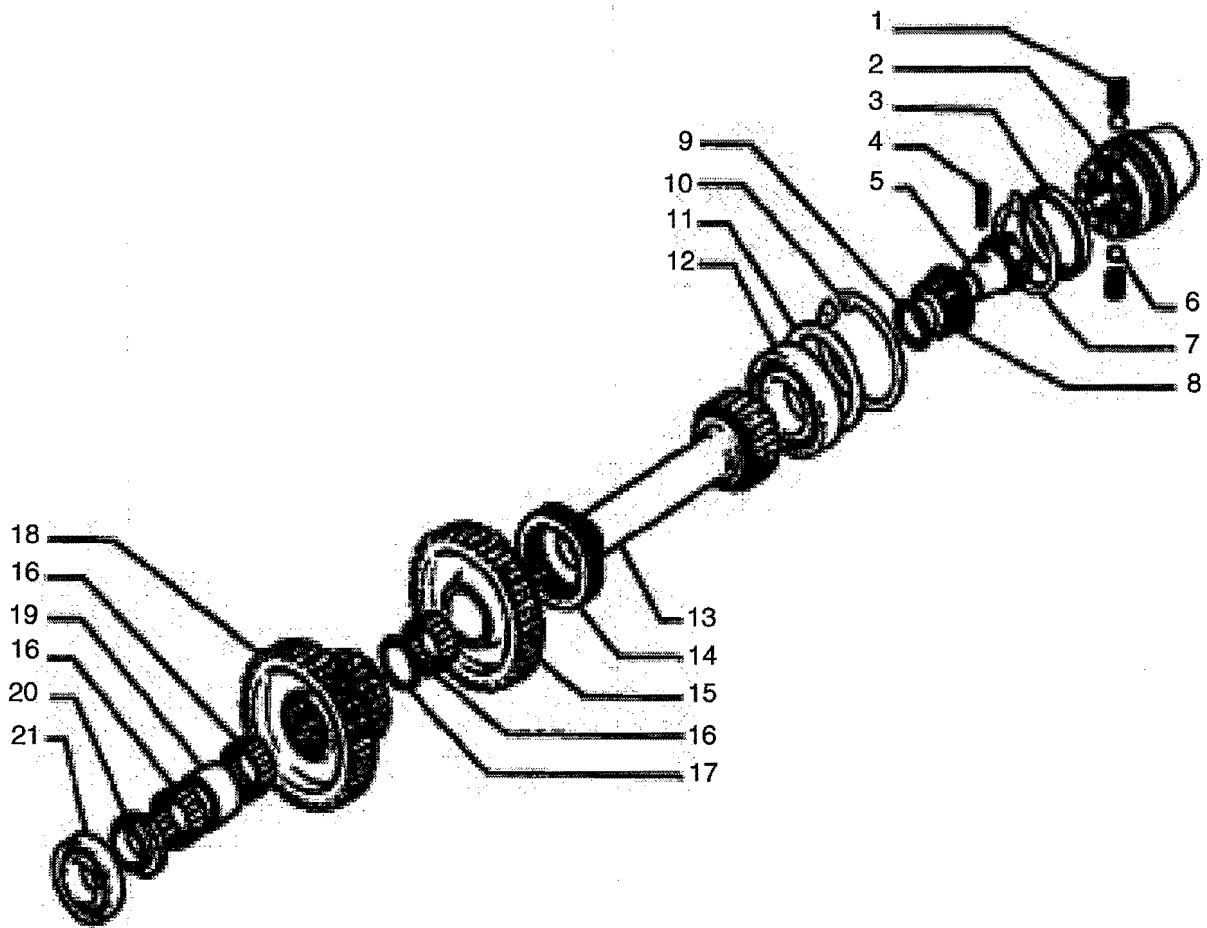
665 / 665 DTC

ITEM No.	PART No.	DESCRIPTION	VENDOR No.	QUANTITY
				665 665 DTC
1	ESL13025	Pedal, Differential	D10043430	1 1
2	ESL13026	Nut, Thin (M10)	D83500520	1 1
3		Shank & Hub Assembly (NSS)	-	1 1
4	ESL13027	Pedal Assembly, Differential Lock	D10039750	1 1
5	ESL13029	Bracket Assembly	D10042480	1 1
6	N630173S8	Washer, Lock (M8)	-	2 2
7	ESL12841	Bolt (M8x1.25x25)	-	2 2
8	ESL12819	Bush	D10042700	1 1
9	ESL12808	Ring Retaining	D90000180	2 2
10	ESL12807	Washer	-	2 2
11	73919S8	Pin, Clevis	-	2 2
12	72017S8	Pin, Cotter	-	2 2
13	ESL13030	Rod & Clevis Assembly	D10042720	1 1
14	N62042S8	Nut	-	1 1
15	N662423S8	Clevis	-	1 1
16		Rod Assembly (NSS)	-	1 1
17	ESL13028	Spring Differential Lock	D10105380	1 1



REAR DIFFERENTIAL LINKAGE

665 / 665 DTC



PTO INNER GEARS & SHAFT

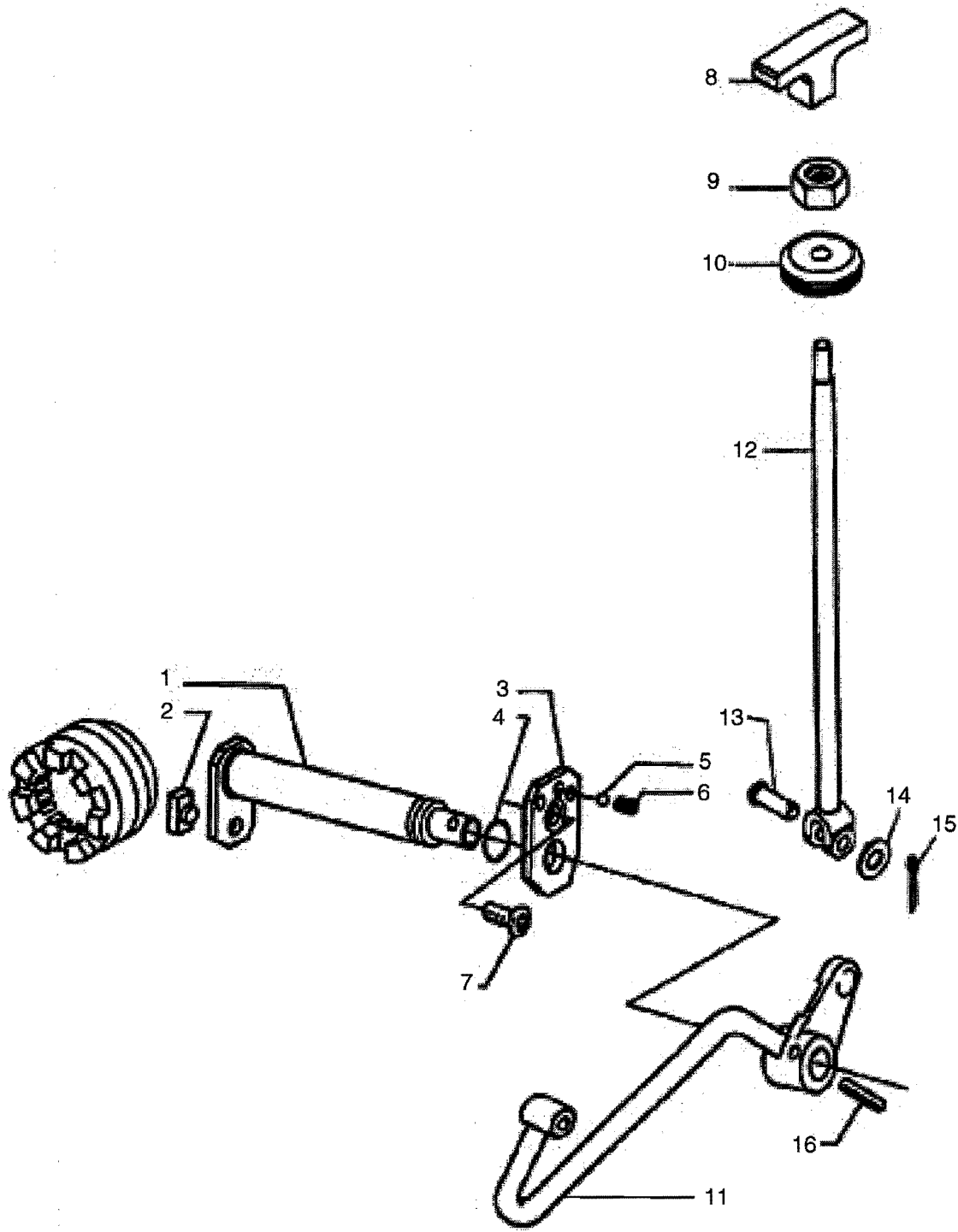
665 / 665 DTC

ITEM No.	PART No.	DESCRIPTION	VENDOR No.	QUANTITY	
				665 665 DTC	
1	ESL13031	Spring	D10064400	2	2
2	ESL13032	PTO Synchronized Clutch	D10064410	1	1
3	ESL13033	Lock Ring	D10064420	1	1
4	ESL13034	Pin (D.5x26)	D10064430	2	2
5	ESL13035	PTO Clutch	D10064440	1	1
6	ESL13036	Ball (D.1/4")	D10064450	2	2
7	ESL13037	Snap Ring	D90000320	1	1
8	ESL13038	PTO Lock Ring	D10064460	1	1
9	ESL13039	Washer	D10064470	1	1
10	ESL13040	Snap Ring (D.90)	D90000360	1	1
11	ESL12975	Shim (0.10mm)	D10064200	AR	AR
-	ESL12976	Shim (0.30mm)	D10064210	AR	AR
-	ESL12977	Shim (0.50mm)	D10064220	AR	AR
12	ESL13042	Bearing	D10064480	1	1
13	ESL13043	Shaft Gear (Z-20)	D10064490	1	1
14	ESL13044	Collar	D10064500	1	1
15	ESL13045	Gear (Z-33)	D10064510	1	1
16	ESL13046	Needle Bearing	D10064520	3	3
17	ESL13047	Spacer	D10064530	1	1
18	ESL13048	Gear (Z-25/39)	D10064540	1	1
19	ESL13049	Spacer	D10064550	1	1
20	ESL13050	Washer	D10064560	1	1
21	ESL12938	Bearing	D10063570	1	1

PTO INNER GEARS & SHAFT



665 / 665 DTC



PTO OUTER CONTROLS



REAR END & PTO

665 / 665 DTC

ITEM No.	PART No.	DESCRIPTION	VENDOR No.	QUANTITY
				665 665 DTC
1	ESL13051	Shaft	D10064570	1 1
2	ESL13052	Pad	D10064580	1 1
3	ESL13053	Plate	D10064590	1 1
4	ESL13019	O'Ring	D10064330	1 1
5	ESL13036	Ball (D.1/4")	D10064450	1 1
6	ESL13031	Spring	D10064400	1 1
7	ESL13054	Screw (M8x16)	D82500430	1 1
8	ESL13335	Knob	D10042460	1 1
9	N620042S8	Nut	-	1 1
10	ESL13056	Rubber Boot	D10026950	1 1
11	ESL13057	Front Lever P.T.O.	D10081630	1 1
12	ESL13058	Rod Assembly, PTO Engaging	D10042470	1 1
13	76023S8	Pin, Clevis	-	1 1
14	44726S8	Washer	-	1 1
15	72016S8	Pin, Cotter	-	1 1
16	ESL13059	Pin (D.6x28)	D10064610	1 1

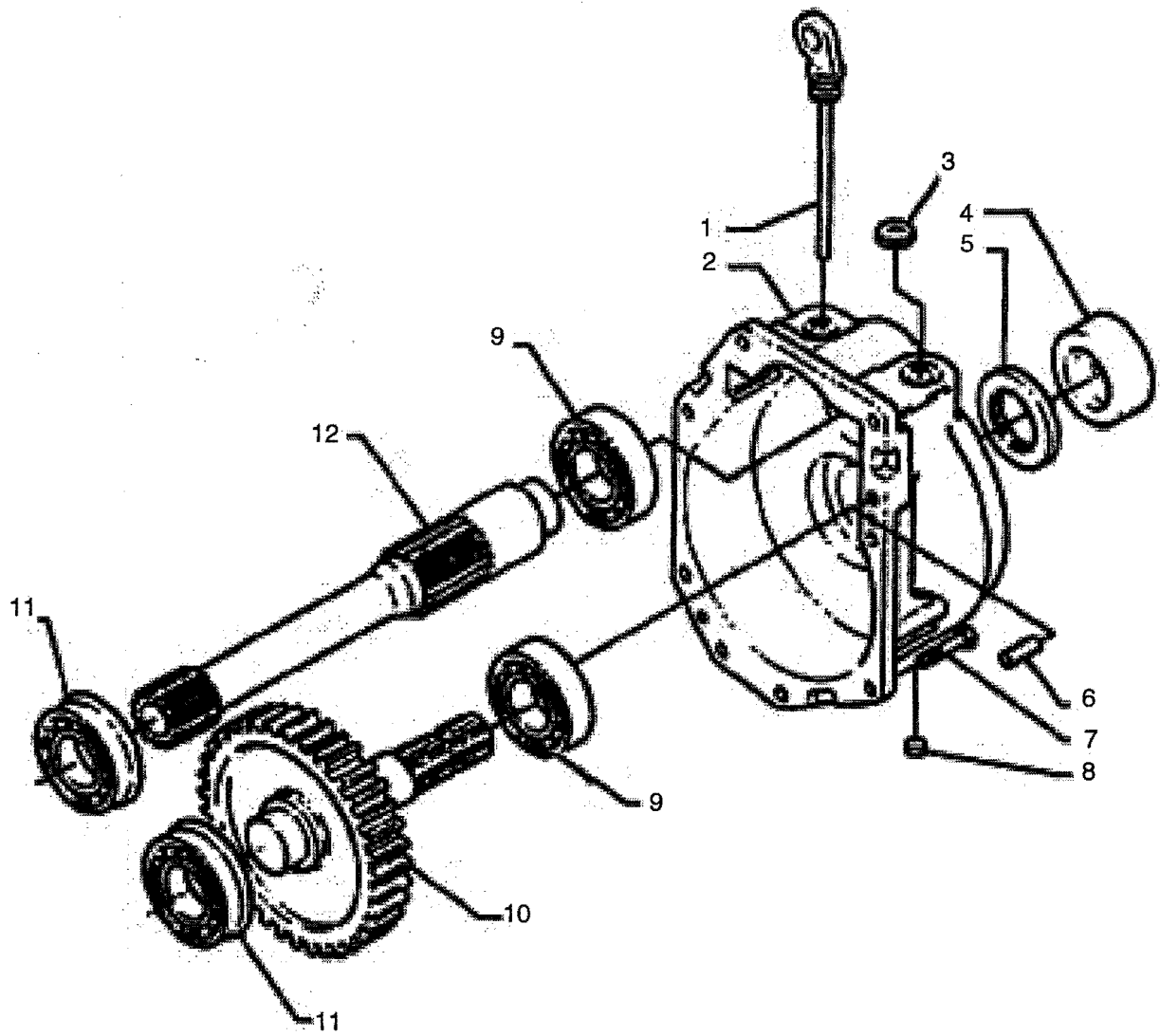
PTO OUTER CONTROLS

Ⓢ - SERIAL NUMBER BREAK ,

↙ - INDICATES UP TO AND INCLUDING THAT SERIAL NUMBER

665 / 665 DTC

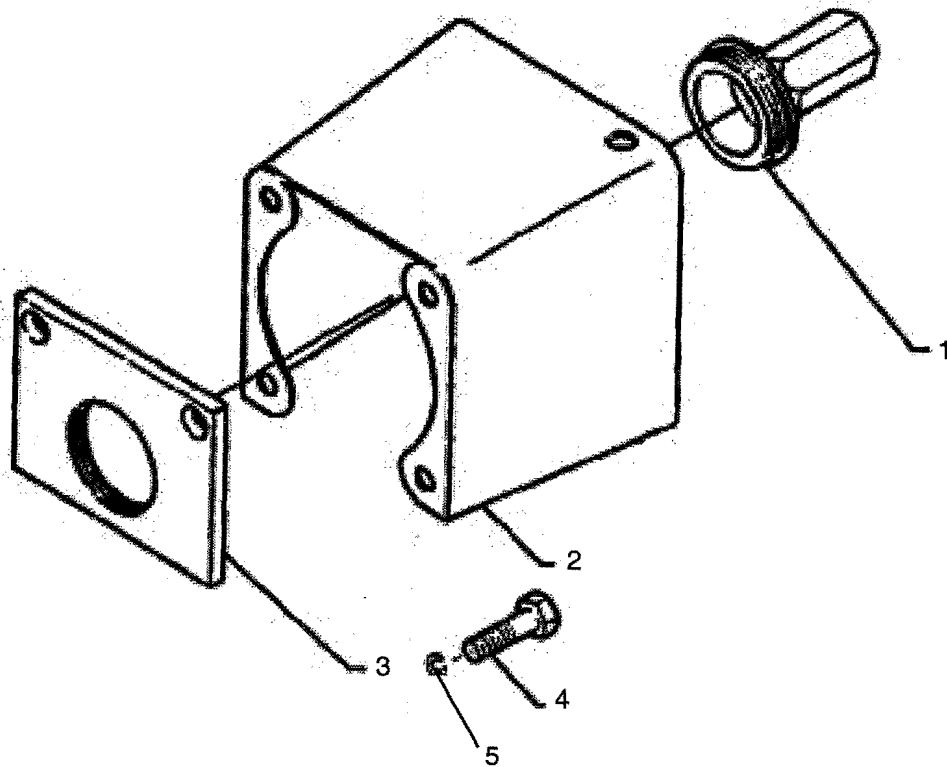
ITEM No	PART No.	DESCRIPTION	VENDOR No.	QUANTITY	
				665	665 DTC
1	ESL13060	Oil Dip Stick	D10064680	1	1
2	ESL13061	Cover	D10064690	1	1
3	ESL13062	Plug	D10065160	1	1
4	ESL13063	Sealing Ring	D10061060	1	1
5	ESL13064	Oil Seal	D10061050	1	1
6	ESL13065	Dowel Pin	D10081640	2	2
7	ESL12672	Bolt (M10x25)	-	7	7
8	ESL13066	Plug	D10064700	1	1
9	ESL12938	Bearing	D10063570	2	2
10	ESL13067	PTO Output Shaft	D10061070	1	1
11	ESL13068	Bearing	D10064630	2	2
12	ESL13069	PTO Shaft	D10099160	1	1



PTO (540 RPM)

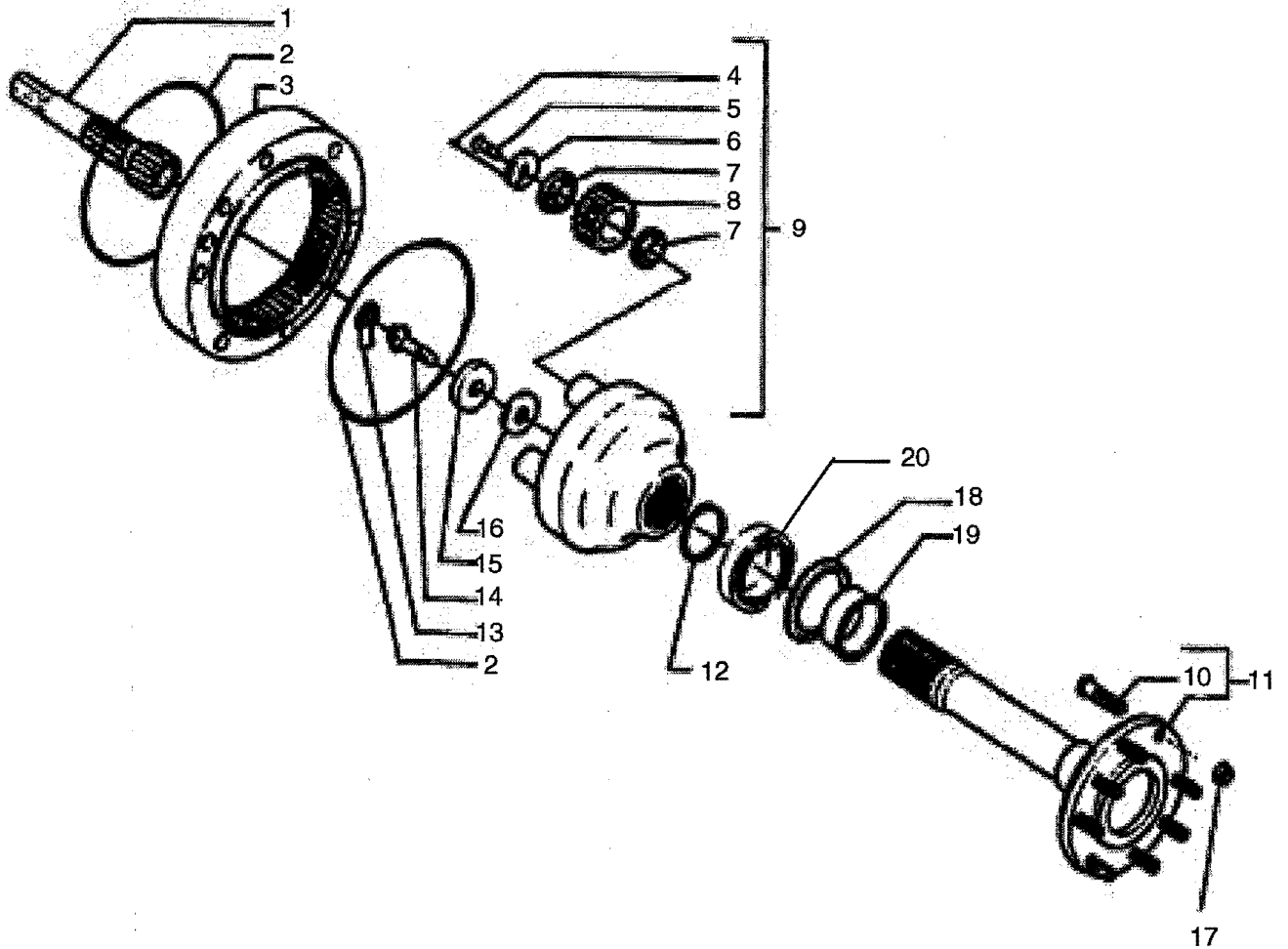
665 / 665 DTC

ITEM No.	PART No.	DESCRIPTION	VENDOR No.	QUANTITY	
				665 665 DTC	
1	ESL13336	Cap PTO	D10042010	1	1
2	ESL13337	Guard PTO	D10039730	1	1
3	ESL13338	Plate, Cap Mounting PTO	D10042000	1	1
4	ESL12653	Bolt (M12x1.75-25)	-	4	4
5	ESL12652	Washer (M12)	-	2	2



PTO GUARD

665 / 665 DTC



AXLE SHAFTS

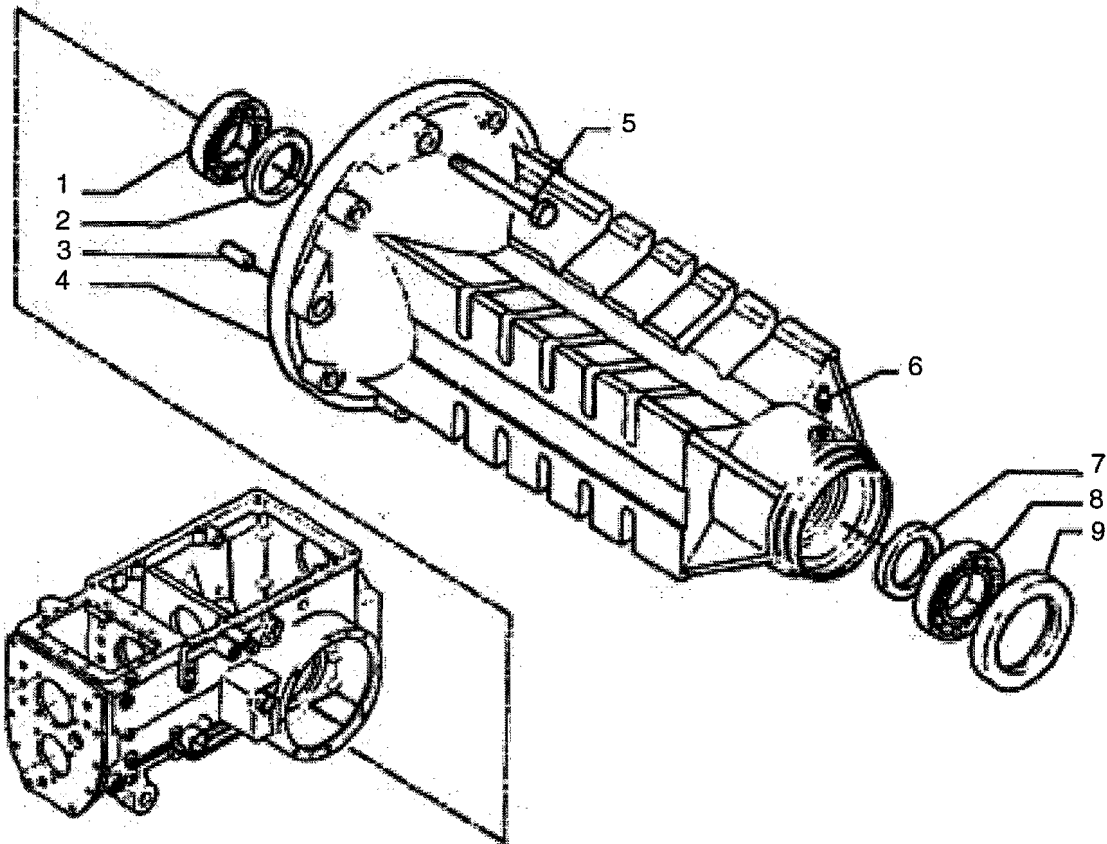
665 / 665 DTC

ITEM No.	PART No.	DESCRIPTION	VENDOR No.	QUANTITY	
				665 665 DTC	
1	ESL13073	Half Shaft with Gear (Z-14)	D10064780	2	2
2	ESL13074	O'Ring	D10064790	4	4
3	ESL13075	Epicyclic Ring Gear (Z-82)	D10064800	2	2
4	ESL13076	Needle Bearing	D10081650	6	6
5	ESL13077	Bolt (M10x35)	D10065690	6	6
6	ESL13078	Washer	-	6	6
7	ESL13079	Bearing	D10081660	12	12
8	ESL13080	Epicyclic Gear (Z-33)	D10081670	6	6
9	ESL13081	Planetary Carrier Assembly (Includes Items #4-8)	D10081680	2	2
10	ESL13082	Bolt, Rear Wheel	D10081690	16	16
11	ESL13083	Wheel Shaft Assembly	D10081700	2	2
12	ESL13084	Lock Ring	D10064820	2	2
13	ESL13085	Stop Screw	D10064830	2	2
14	ESL13086	Special Bolt (M16x2)	D10064840	2	2
15	ESL13087	Washer	D10064850	2	2
16	ESL13088	Shim (0.1mm)	D10064860	AR	AR
-	ESL13089	Shim (0.3mm)	D10064870	AR	AR
-	ESL13090	Shim (0.5mm)	D10064880	AR	AR
-	ESL13091	Shim (0.05mm)	D10064890	AR	AR
17	ESL13092	Nut, Wheel Bolt Rear	D10043020	16	16
18	ESL13093	Seal	D10064900	2	2
19	ESL13094	Bush	D10064910	2	2
20	ESL12993	Bearing	D10064750	2	2

AXLE SHAFTS

665 / 665 DTC

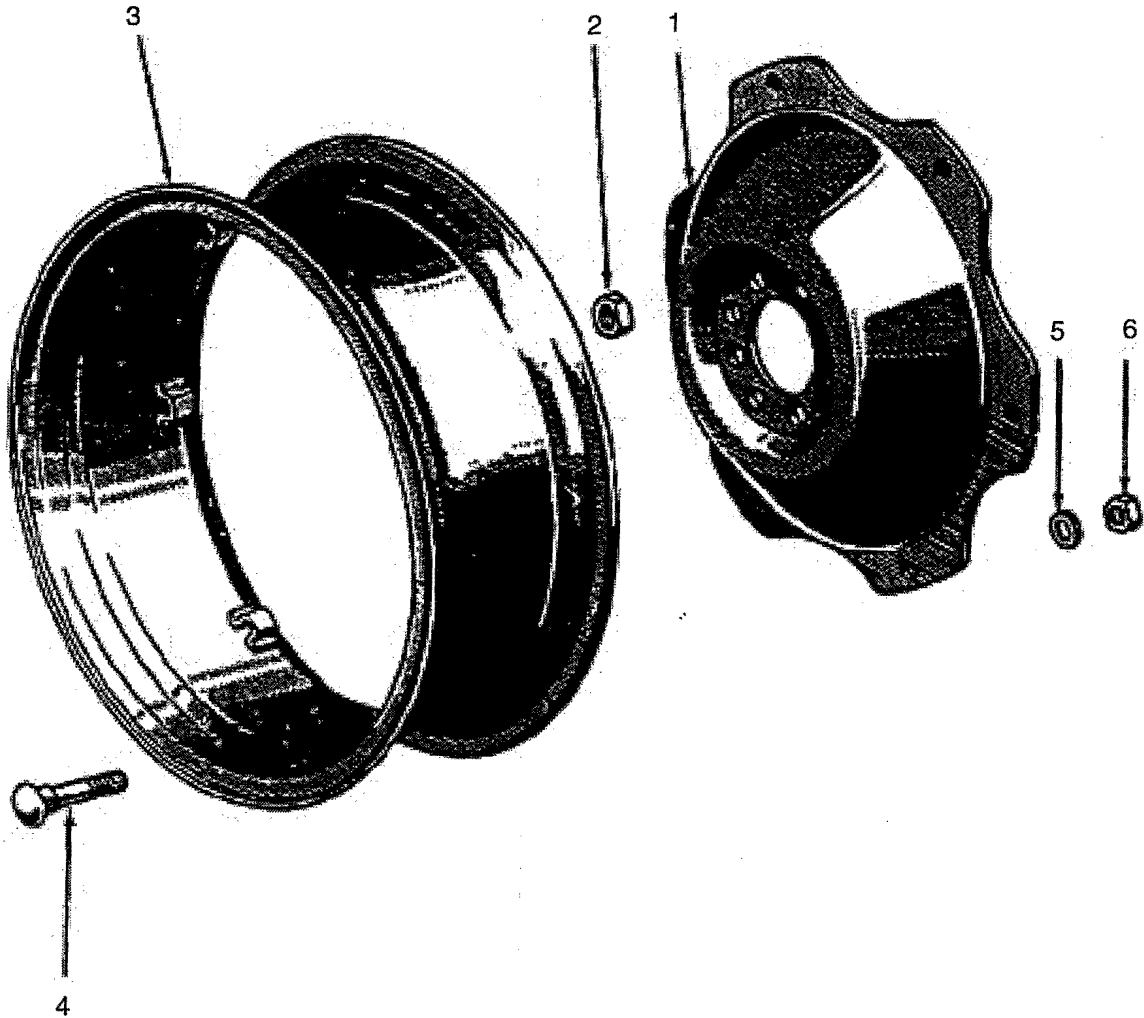
ITEM No	PART No.	DESCRIPTION	VENDOR No.	QUANTITY	
				665	665DTC
1	ESL12986	Bearing	D10064720	2	2
2	ESL12987	Seal	D10064710	2	2
3	ESL12988	Pin (D15x75)	D10064730	4	4
4	ESL12989	Trumpet Housing Kit (Includes Items #1-3, 6-9)	D10081600	2	2
5	ESL12990	Bolt (M14x100)	D81500950	16	16
6	ESL12991	Grease Nipple (M8x1)	D92500080	2	2
7	ESL12992	Seal	D10064740	2	2
8	ESL12993	Bearing	D10064750	2	2
9	ESL12994	Seal	D10064760	2	2



FINAL DRIVE HOUSING

665 / 665 DTC

ITEM No.	PART No.	DESCRIPTION	VENDOR No.	QUANTITY	
				665 665 DTC	
-	ESL12502	Wheel Assembly, Rear	D10045420	2	2
1	-	Disc, Rear Wheel (NSS)	-	2	2
2	ESL13092	Nut, Wheel Bolt Rear	D10043020	16	16
3	-	Rim, Rear Wheel (NSS)	-	2	2
4	ESL13433	Bolt, Rear Wheel Rim to Disc	-	12	12
5	ESL13434	Washer	-	12	12
6	ESL13435	Nut, Disc to Rim	-	12	12



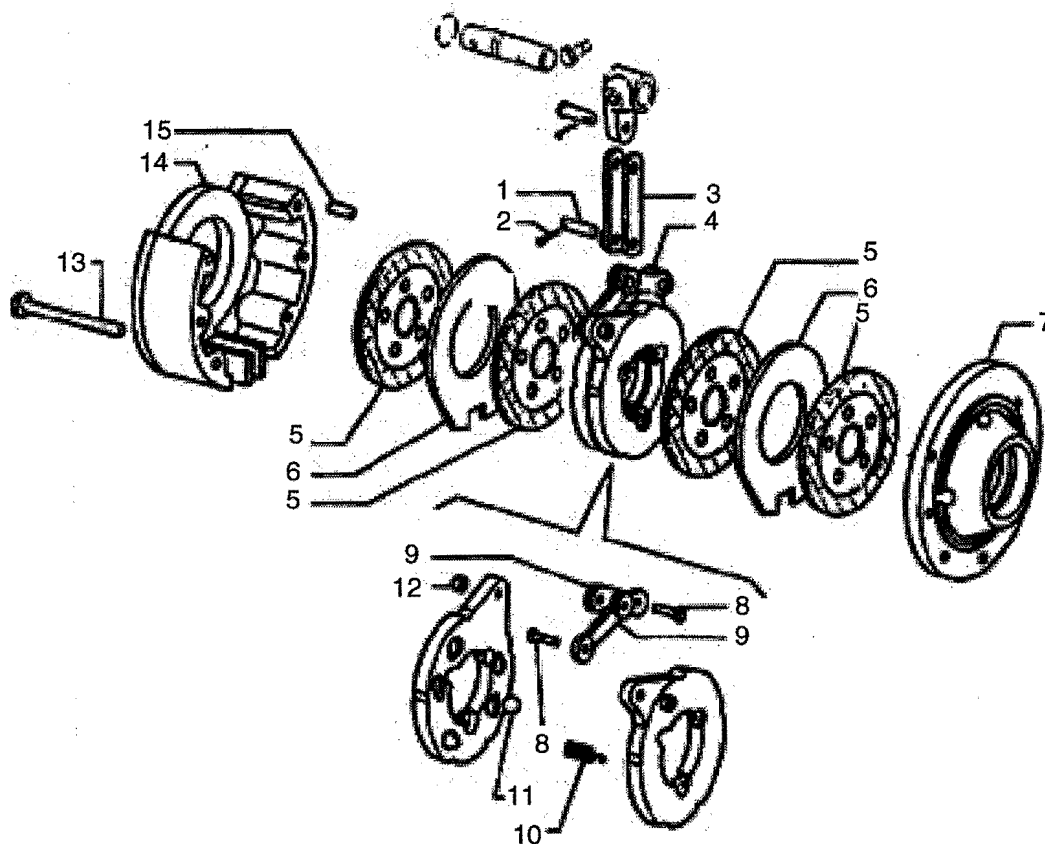
REAR WHEELS

Notes

BRAKE SYSTEM

665 / 665 DTC

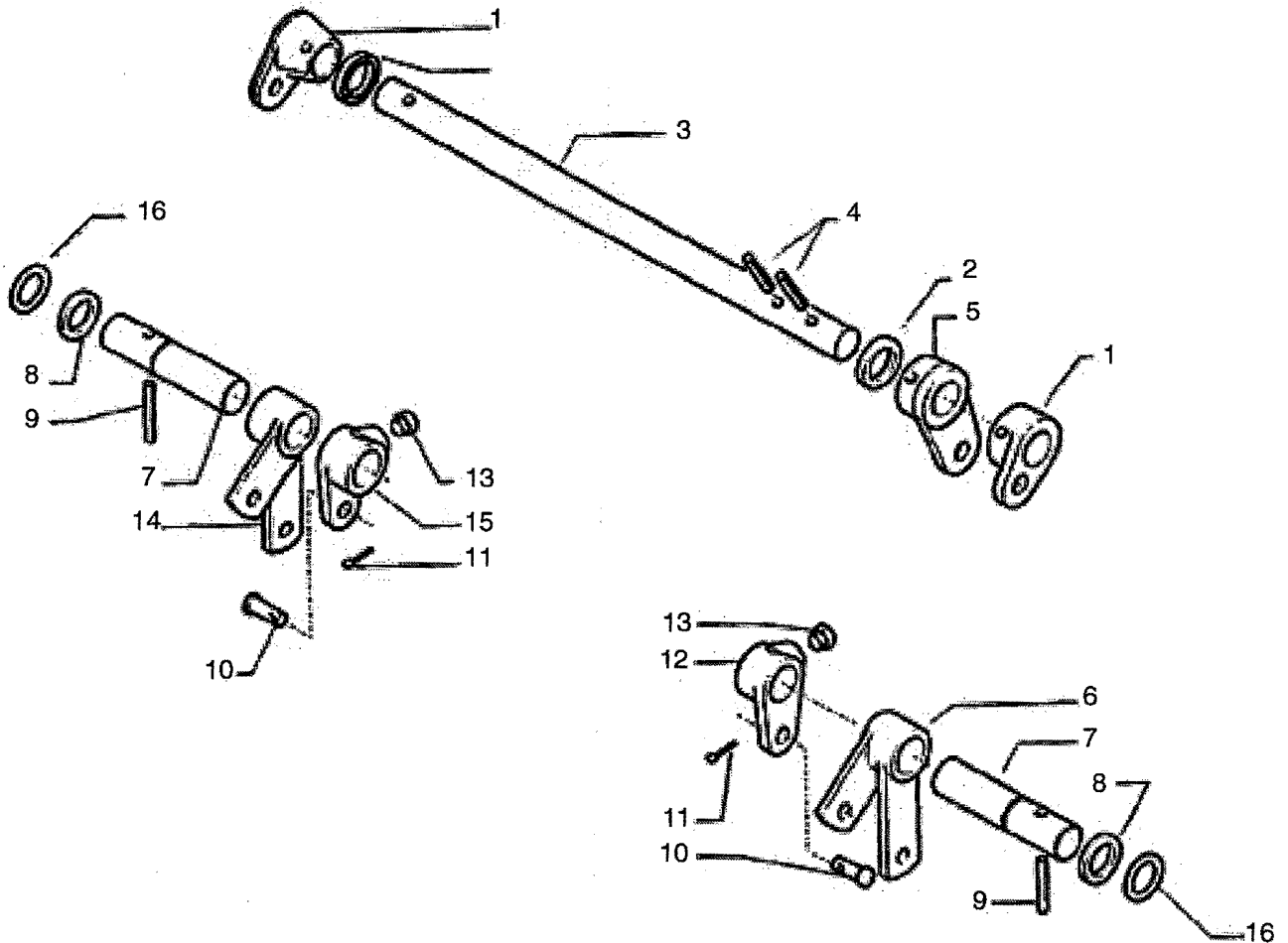
ITEM No	PART No.	DESCRIPTION	VENDOR No.	QUANTITY	
				665	665DTC
1	ESL13097	Pin (D11)	D10064930	2	2
2	ESL13098	Split Pin (D3.2x32)	D93400240	2	2
3	ESL13099	Tie Bar	D10081710	2	2
4	ESL13100	Brake Mechanism (Includes Items #8-12)	D10064940	2	2
5	ESL13101	Brake Disc	D10064950	8	8
6	ESL13102	Brake Drive Plate	D10064960	4	4
7	ESL13103	Support Flange	D10064970	2	2
8	ESL13686	Bolt	-	4	4
9	ESL13339	Tie Rod	-	4	4
10	ESL13340	Spring	D10103960	4	4
11	ESL13341	Ball	D10103970	10	10
12	ESL13436	Nut	D10098140	4	4
13	ESL13104	Bolt (M12x110)	D81500910	10	10
14	ESL13105	Brake Flange	D10064980	2	2
15	ESL13106	Pin (D12x50)	D10064990	4	4



BRAKES

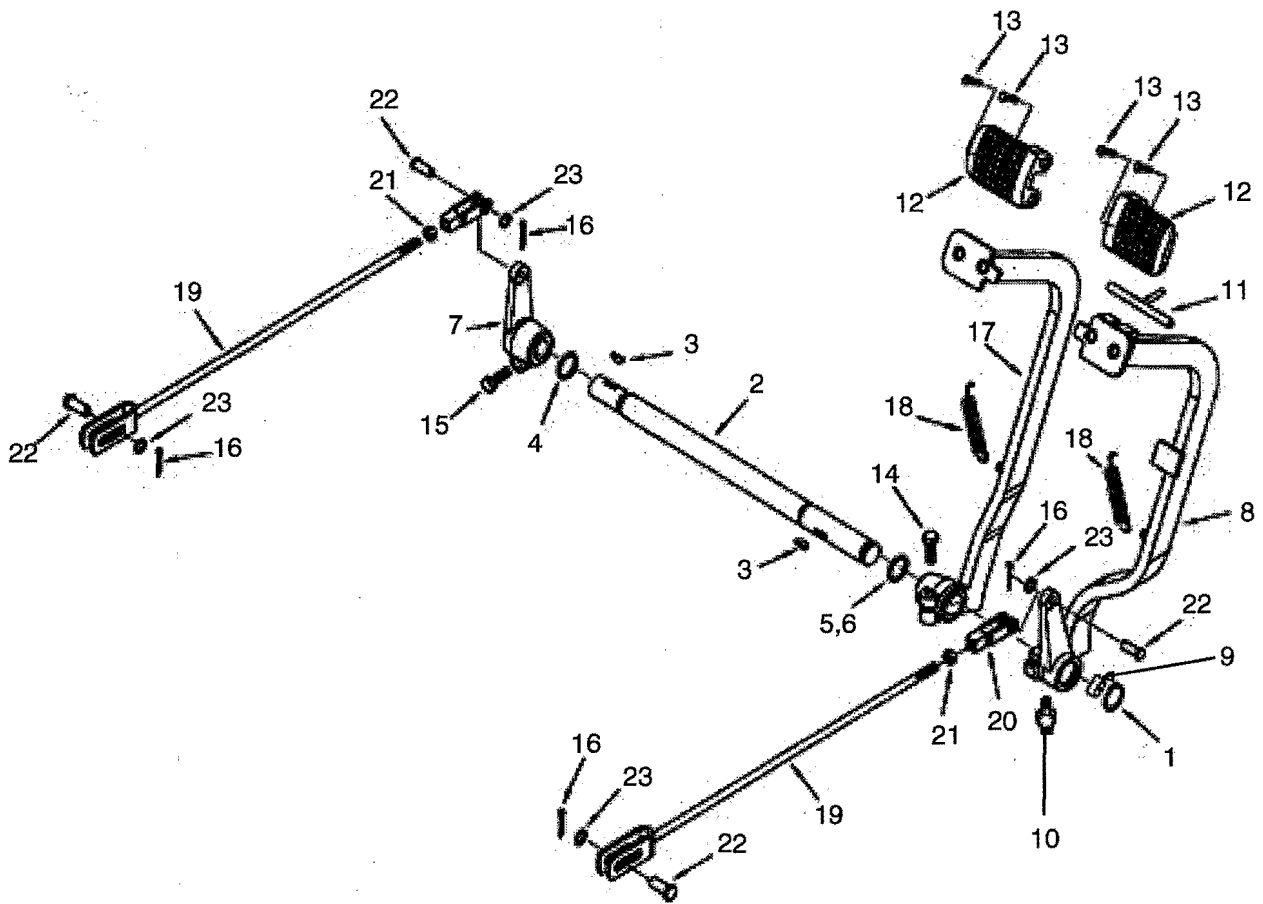
665 / 665 DTC

ITEM No.	PART No.	DESCRIPTION	VENDOR No.	QUANTITY	
				665	665 DTC
1	ESL13124	Brake Lever	D10065000	2	2
2	ESL12929	Oil Seal	D10063500	2	2
3	ESL13125	Hand Brake Shaft	D10065020	1	1
4	ESL13126	Pin (D.8x36)	D10065030	3	3
5	ESL13127	Hand Brake Lever	D10065040	1	1
6	ESL13128	Brake Lever, LH	D10065050	1	1
7	ESL13129	Brake Shaft	D10065060	2	2
8	ESL13130	Seal Ring	D10065070	2	2
9	ESL13131	Pin (10x45)	D10065090	2	2
10	ESL13132	Pin (D11)	D10065100	2	2
11	ESL13098	Pin (3.2x32)	D93400240	2	2
12	ESL13133	Lever	D10065110	1	1
13	ESL13134	Special Bolt	D10065120	2	2
14	ESL13135	Brake Lever, RH	D10065130	1	1
15	ESL13136	Lever, LH	D10065140	1	1
16	ESL13137	Thrust Washer	D10065150	2	2



BRAKE RELEASE SYSTEM

665 / 665 DTC



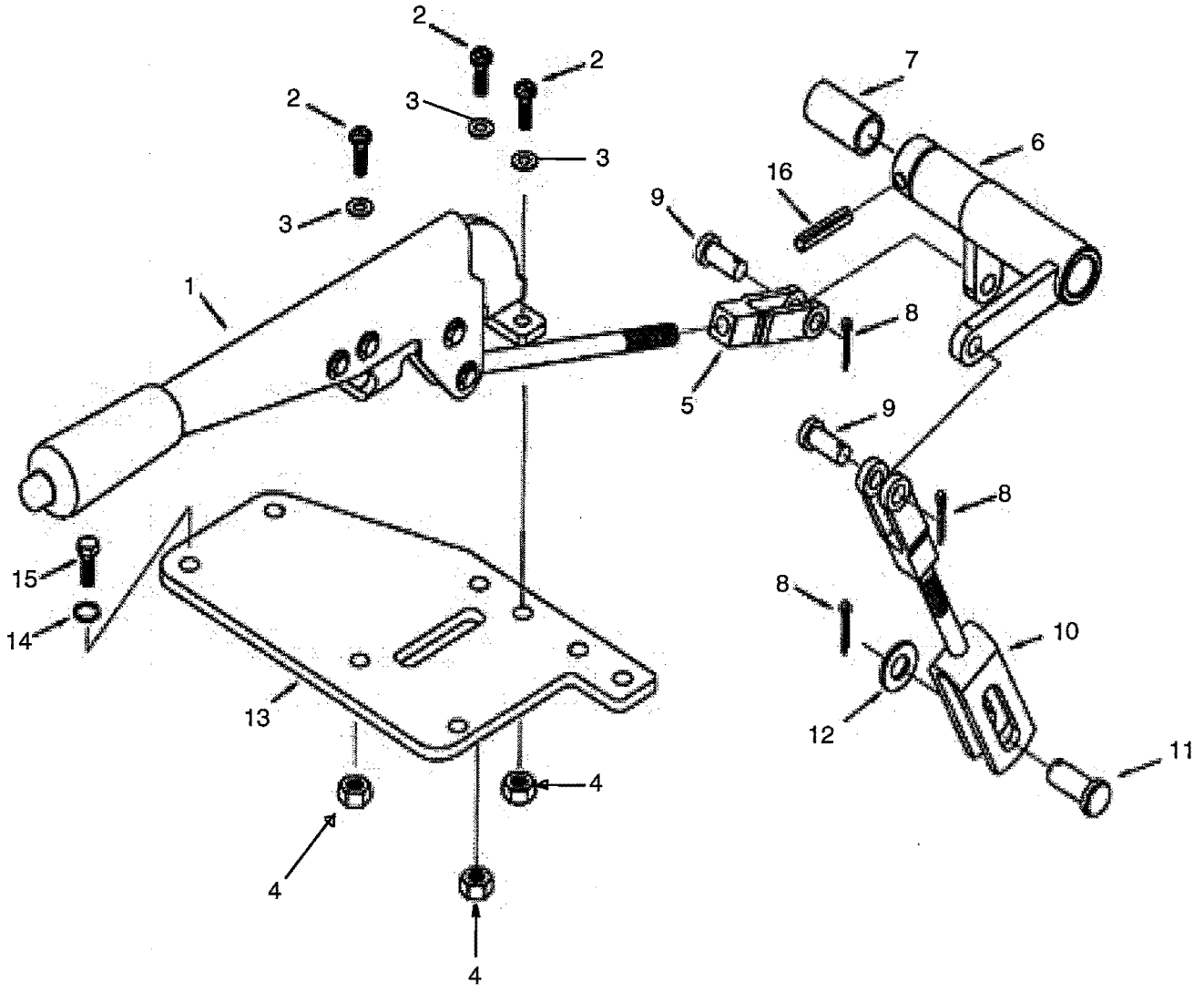
BRAKE PEDALS

665 / 665 DTC

ITEM No.	PART No.	DESCRIPTION	VENDOR No.	QUANTITY	
				665	665 DTC
1	ESL10983	Lock Ring	D10012470	1	1
2	ESL13107	Shaft Brake Cross	D10039740	2	2
3	ESL13304	Key (1/2x7/8)	-	2	2
4	ESL11700	Washer Brake Cross Shaft	D10012260	3	3
5	ESL13109	O'Ring	D93600120	1	1
6	ESL11238	Seal (1.25IOx0.139W) (NI)	D93600080	3	3
7	ESL13112	Lever, Brake Operating	D10042490		
8	ESL13114	Pedal Assembly Brake, RH	D10039290	1	1
9	ESL13116	Bush, Brake Pedal	D10106420	1	1
10	ESL10868	Grease Nipple (1/4-2B UNF)	D92500050	1	1
11	ESL13117	Latch Rod	-	1	1
12	ESL12798	Pedal	D10042840	2	2
13	N600212S8	Bolt (M8x1.25x35)	-	4	4
14	304743S8	Bolt , Hex (7/16-14x1.38)	-	1	1
15	58655S8	Bolt, Hex (7/16-14x1.50)	-	1	1
16	ESL12805	Pin Cotter	-	4	4
17	ESL13118	Pedal Assembly Brake, LH	D10039300	1	1
18	ESL13342	Spring, Brake Pedal Return	D10012250	2	2
19	ESL13120	Rod & Clevis Assembly, Brake Linkage (Includes Items #20-21)	-	2	2
20	97013S8	Clevis	-	2	2
21	33925S8	Nut (3/8-24)	-	2	2
22	ESL13123	Pin, Clevis	-	4	4
23	N630070S8	Washer	-	4	4

BRAKE PEDALS

665 / 665 DTC



HAND BRAKE



BRAKE SYSTEM

665 / 665 DTC

<i>ITEM No.</i>	<i>PART No.</i>	<i>DESCRIPTION</i>	<i>VENDOR No.</i>	<i>QUANTITY</i>	
				665 665 DTC	
1	ESL13138	Lever Assembly, Hand Brake	D10042050	1	1
2	ESL12724	Bolt (M6)	D81500490	3	3
3	N630067S8	Washer (M6)	-	3	3
4	N620012S8	Nut (M6)	-	3	3
5	97013S8	Clevis	-	1	1
6	ESL13140	Extention Shaft, Parking Brake	-	1	1
7	ESL13437	Bush	D10042980	1	1
8	72017S8	Pin, Cotter	-	3	3
9	73979S8	Pin, Clevis	-	2	2
10	ESL13141	Rod & Clevis Assembly	D10042820	2	2
11	ESL13123	Pin, Clevis	-	1	1
12	N630070S8	Washer, Plain	-	1	1
13	ESL13142	Bracket, Lever Mounting Parking Brake	D10042210	1	1
14	N630173S8	Washer (M8)	-	2	2
15	N605531S8	Bolt (M8x1.25x20)	-	2	2
16	ESL13143	Pin, Spring	-	1	1

HAND BRAKE

Notes

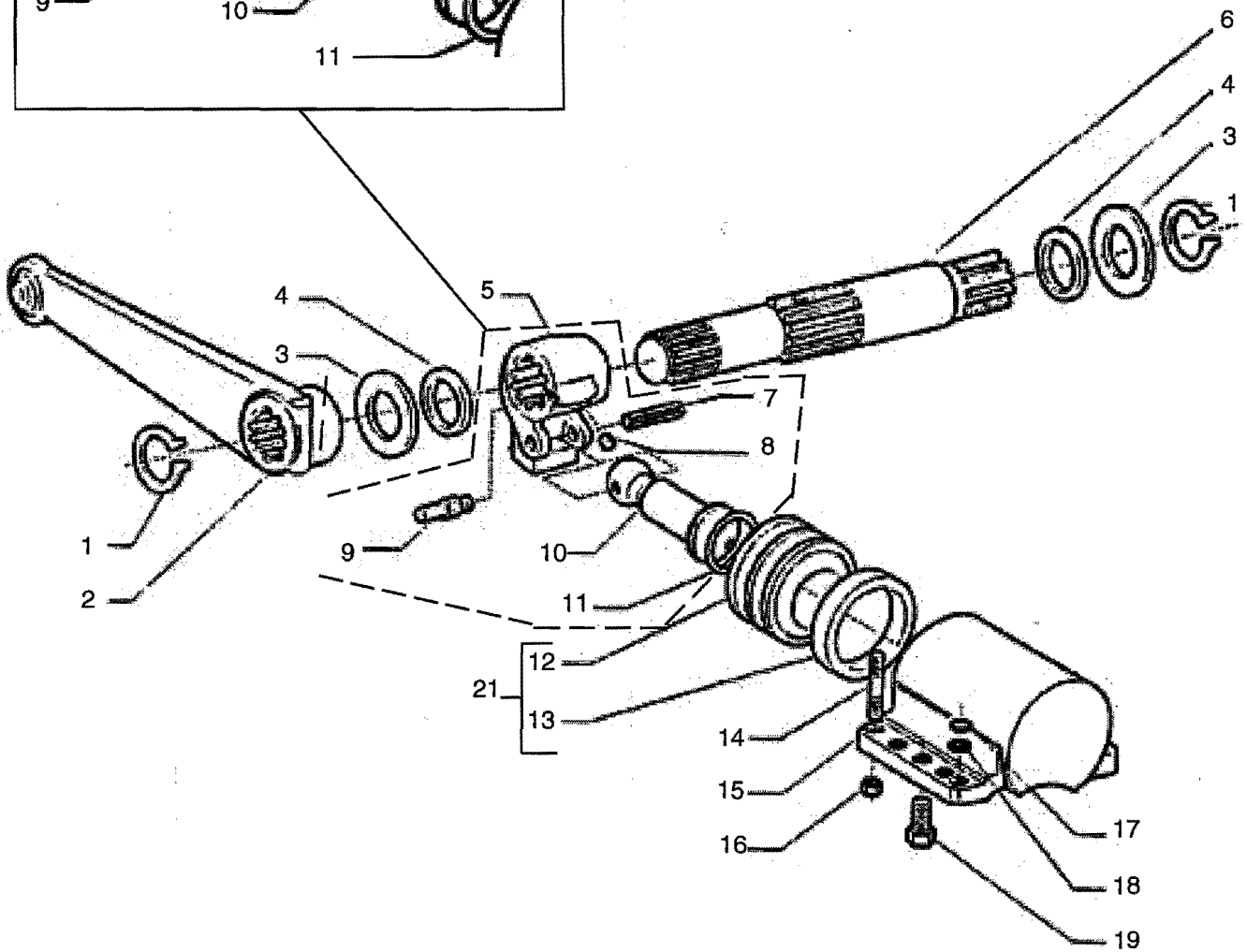
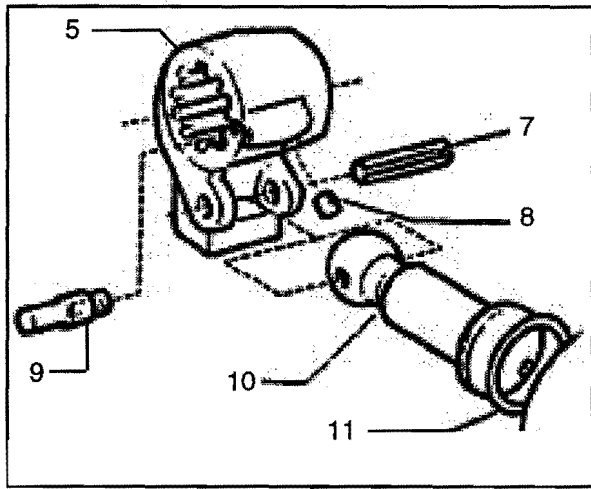
HYDRAULIC SYSTEM

665 / 665 DTC

ITEM No.	PART No.	DESCRIPTION	VENDOR No.	QUANTITY	
				665	665 DTC
1	ESL13144	Hydraulic Lift Assembly	D10039490	1	1
2	ESL13145	Plug (1/2")	D10062150	1	1
3	ESL13146	Washer	D10062220	1	1
4	ESL13147	Bush	D10061580	1	1
5	ESL13148	Bush	D10061530	1	1
6		'O'Ring (NSS)	-	2	2
7		'O'Ring (NSS)	-	1	1
8	ESL13149	Spring Washer	D10061350	2	2
9	ESL13150	Bolt (M10x35)	-	2	2
10	ESL13151	Flange	D10098050	1	1
11	ESL12747	Adapter Return Assembly	D10039720	1	1
12	ESL13153	Copper Washer	D10061420	1	1
13	ESL12829	Spring Washer	-	2	2
14	ESL13154	Bolt (M8-35)	D81501080	2	2
15	ESL13155	Stud (M14x61)	D10098080	6	6
16	ESL11257	Adapter	D10021160	1	1
17	ESL13157	Bush	D10062160	2	2
18	ESL13158	Bush	D10061510	2	2
19		Lift Body Assembly (NSS)	-	1	1
20	ESL13159	Plug, Vent	D10081720	1	1
21	ESL13160	Dowel Pin	D10064240	2	2
22	ESL13161	Bolt (M12x30)	D81500920		
23	ESL13643	Elbow	D10043150	1	1
24	ESL13163	Bracket Assembly, Lever Guide	-	1	1
25	ESL13164	Lock Nut	-	1	1
26	ESL10021	'O'Ring	D93600070	1	1
27	ESL13156	Seal Kit (Consists of Items #6-7)	D10098110	1	1

HYDRAULIC BODY

665 / 665 DTC



RAM CYLINDER

10:3

Ⓢ - SERIAL NUMBER BREAK,

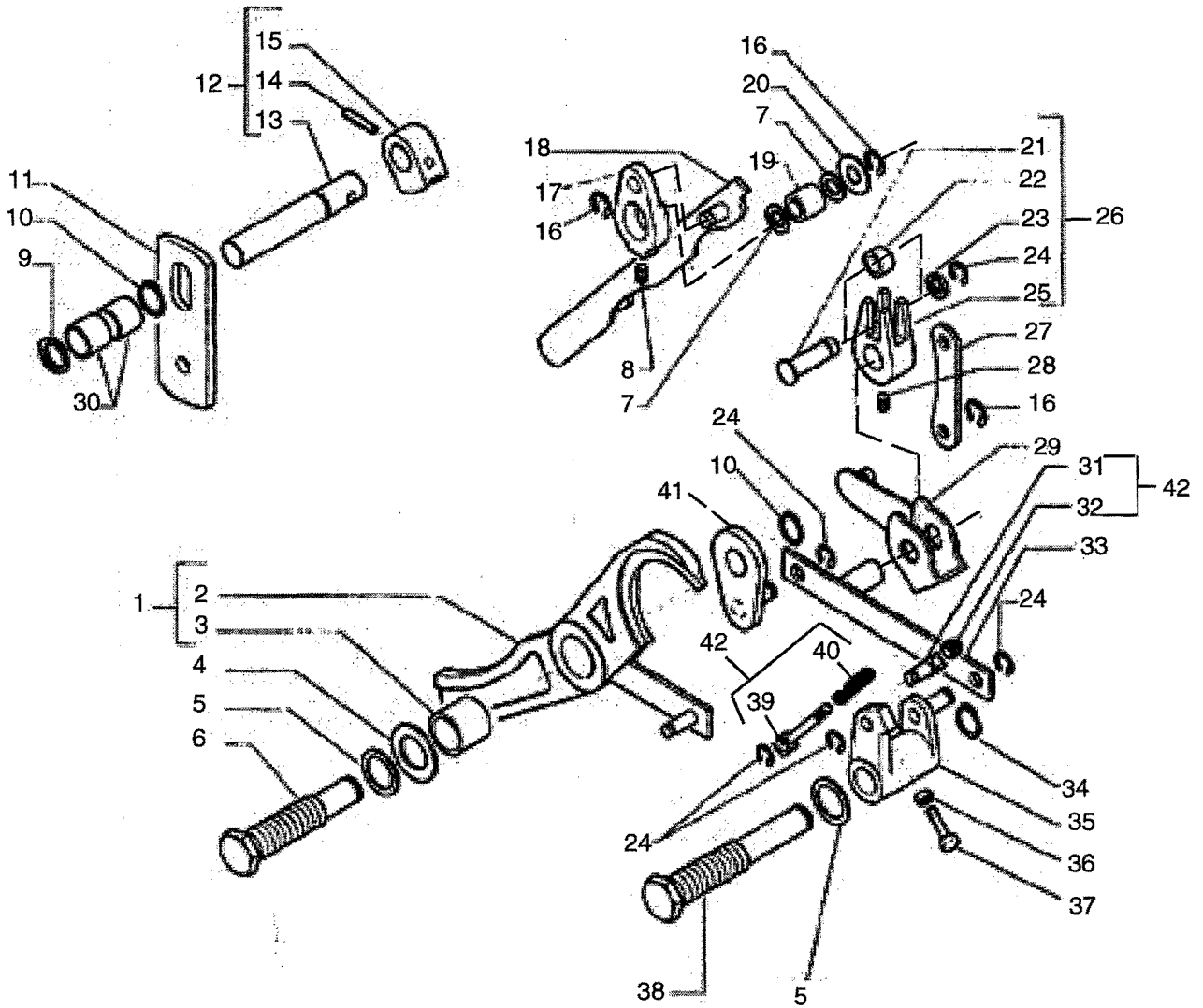
↙ - INDICATES UP TO AND INCLUDING THAT SERIAL NUMBER

665 / 665 DTC

ITEM No.	PART No.	DESCRIPTION	VENDOR No.	QUANTITY	
				665	665 DTC
1	ESL13166	Snap Ring (D55)	D90000350	2	2
2	ESL13167	Lifting Arm	D10062510	2	2
3	ESL13168	Spacer	D10067440	2	2
4	ESL13169	Oil Seal	D10061850	2	2
5	-	Lever (NSS)	-	1	1
6	ESL13170	Lifting Shaft	D10062060	1	1
7	ESL13171	Pin (D10x65)	D93400260	1	1
8	ESL13172	Grub Screw (M10x20)	D10062180	1	1
9	ESL13173	Pin	D10062050	1	1
10	-	Connecting Rod (NSS)	-	1	1
11	ESL13174	O'Ring	D10061520	1	1
12		Piston (NSS)	-	1	1
13	ESL13175	Piston Packing	D10062170	1	1
14	ESL13155	Stud (M14x61)	D10098080	6	6
15	ESL13176	Cylinder	D10061990	1	1
16	ESL13177	Nut (M14)	D83500470	6	6
17	ESL13178	O'Ring	D10061540	2	2
18	ESL13179	Ring	D10105290	2	2
19	ESL13180	Bolt (M14x35)	D81500960	2	2
20	ESL13181	Kit Connecting Rod & Lever (Consists of Items #5,7-11)	D10098120	1	1
21	ESL13182	Piston & Ring Assembly (Consists of Items #12-13)	D10081730	1	1

RAM CYLINDER

665 / 665 DTC



INSIDE LIFTING CONTROL

10:5

Ⓢ - SERIAL NUMBER BREAK, ↙ - INDICATES UP TO AND INCLUDING THAT SERIAL NUMBER



HYDRAULIC SYSTEM

665 / 665 DTC

ITEM No.	PART No.	DESCRIPTION	VENDOR No.	QUANTITY 665 665 DTC	
1	ESL13183	Equalizer Assembly (Includes Items #2-3)	D10099090	1	1
2	-	Equalizer (NSS)	D10105030	1	1
3	ESL13352	Bearing	D10099150	1	1
4	ESL13184	Washer	D10061420	1	1
5	ESL13153	Washer	D10067430	2	2
6	ESL13185	Support Pin	D10099140	1	1
7	ESL13186	Washer	D10067350	2	2
8	ESL13187	Grub, Screw (M8x9)	D10067330	1	1
9	ESL13188	Sealing Ring	D90000330	1	1
10	ESL13189	Snap Ring (D16)	D10067340	2	2
11	ESL13190	Plate	D10099120	1	1
12	ESL13191	Cam Assembly (Consists of Items #13-15)	-	1	1
13	-	Shaft (NSS)	D10063900	1	1
14	ESL13192	Pin (D6x35)	-	1	1
15	-	Cam (NSS)	D90000340	1	1
16	ESL12874	Snap Ring	D10067360	3	3
17	ESL13193	Cam	D10099110	1	1
18	ESL13199	Plate Assembly (Includes Items #7,16,19-20)	-	1	1
19	-	Roller (NSS)	D10067310	1	1
20	ESL13687	Washer	-	1	1
21	-	Pin (NSS)	-	1	1
22	-	Roller (NSS)	D10067320	1	1
23	ESL13688	Washer	D10099080	1	1
24	ESL13194	Snap Ring	-	5	5
25	-	Connecting Rod (NSS)	D10099130	1	1
26	ESL13195	Connecting Rod Assembly (Includes Items #21-25)	D10067480	1	1
27	ESL13196	Link Rod	D10067420	1	1
28	ESL13197	Grub Screw (M8x12)	D10067470	1	1
29	ESL13198	Cam	D10062160	1	1
30	ESL13157	Bush	-	2	2
31	-	Shaft (NSS)	D10067510	1	1
32	N620012S8	Nut (M6)	D90000180	1	1
33	ESL13200	Plate	D10067520	1	1
34	ESL12808	Snap Ring	-	1	1
35	ESL13201	Lever	-	1	1

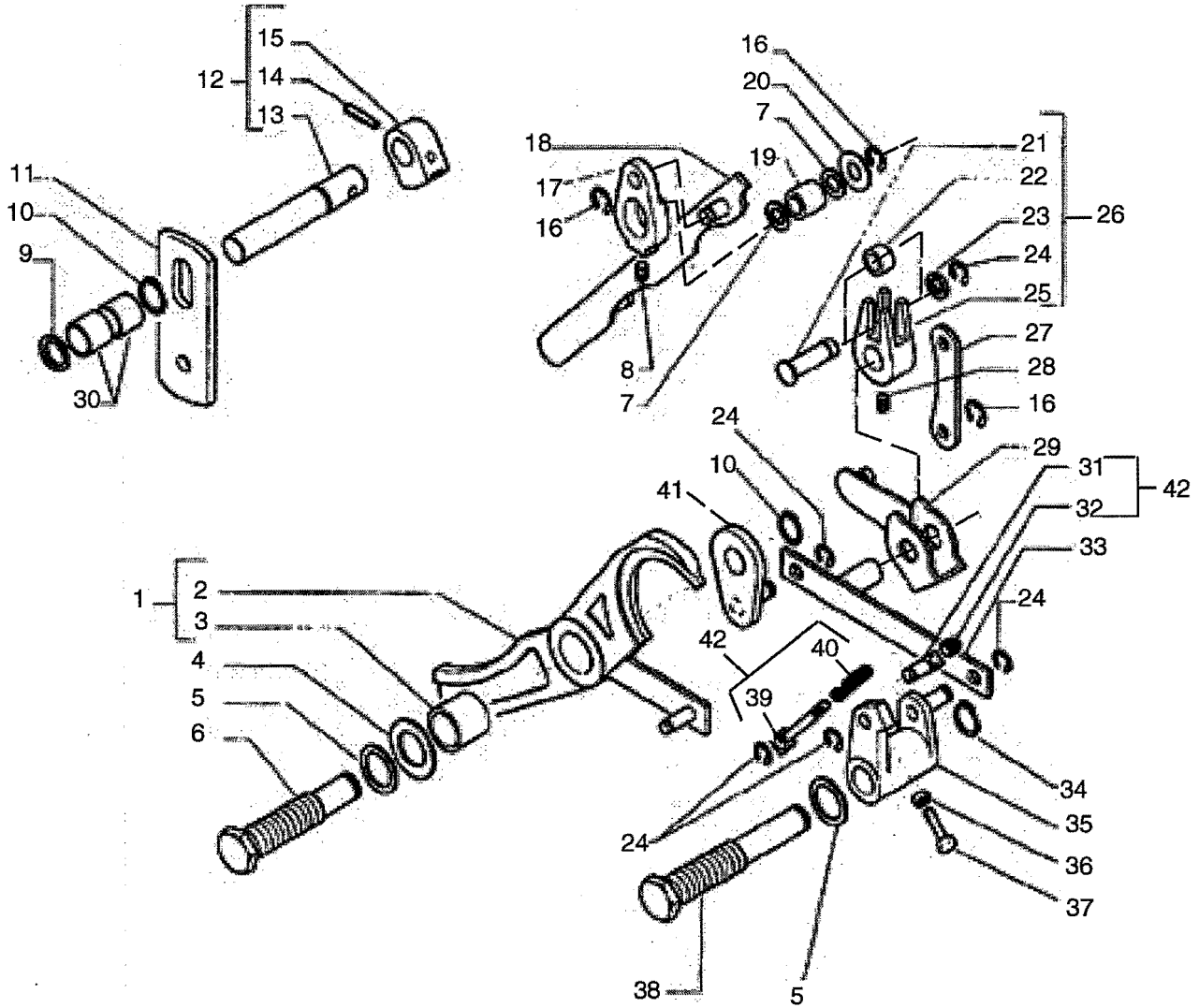
INSIDE LIFTING CONTROL

Ⓢ - SERIAL NUMBER BREAK ,



- INDICATES UP TO AND INCLUDING THAT SERIAL NUMBER

665 / 665 DTC



INTERNAL LIFT CONTROL



HYDRAULIC SYSTEM

665 / 665 DTC

<i>ITEM No.</i>	<i>PART No.</i>	<i>DESCRIPTION</i>	<i>VENDOR No.</i>	<i>QUANTITY</i>	
				665 665 DTC	
36	N620013S8	Nut (M8)	-	1	1
37	ESL12865	Bolt (M8x25)	-	1	1
38	ESL13202	Support Pin	D10067520	1	1
39	-	Pin (NSS)	-	1	1
40	-	Spring (NSS)	-	1	1
41	ESL13203	Shackle	D10067550	1	1
42	ESL13204	Pin & Spring Assembly (Includes of Items #31-32,39-40)	D10105370	1	1

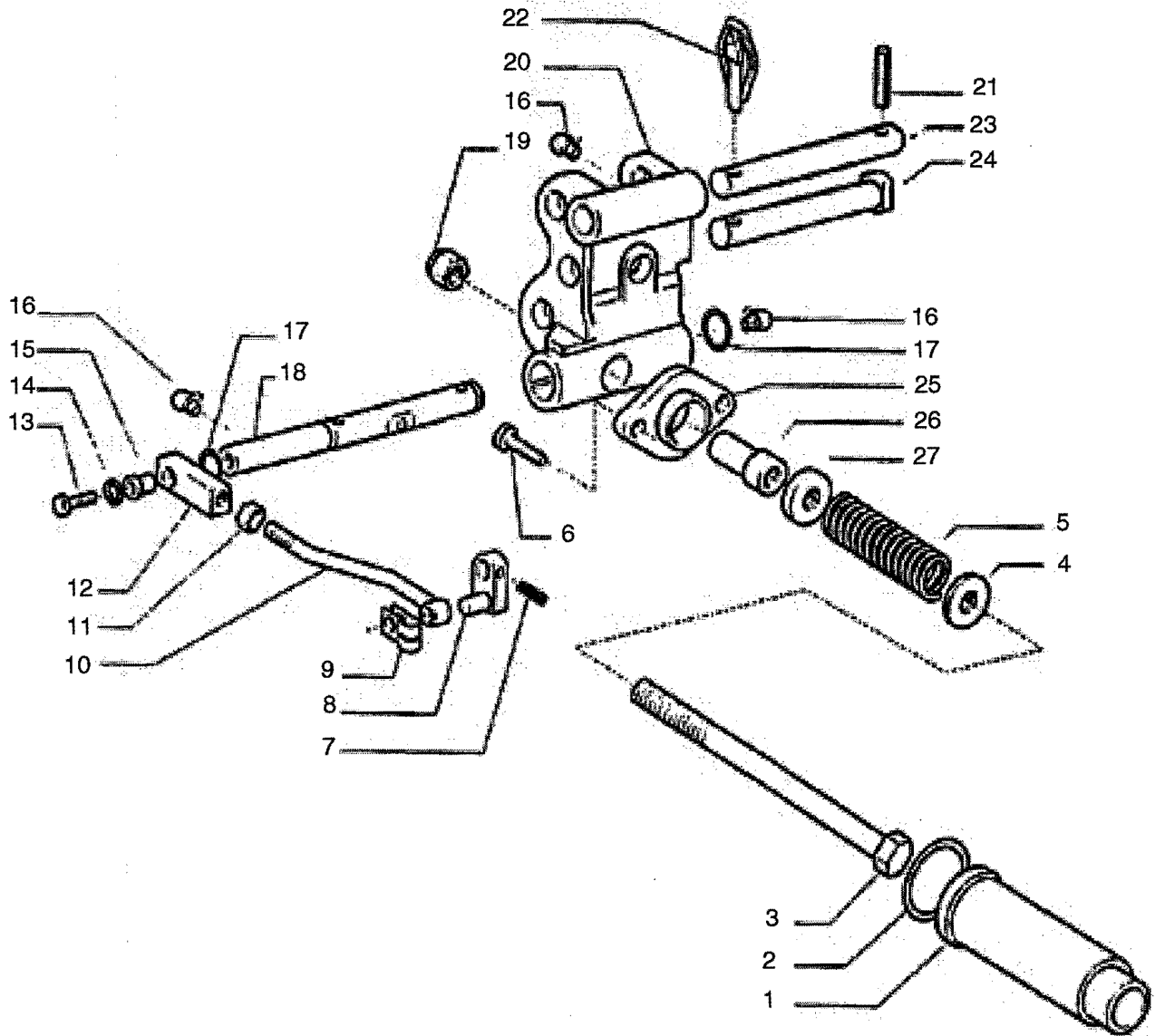
INTERNAL LIFT CONTROL

Ⓢ - SERIAL NUMBER BREAK ,



- INDICATES UP TO AND INCLUDING THAT SERIAL NUMBER

665 / 665 DTC



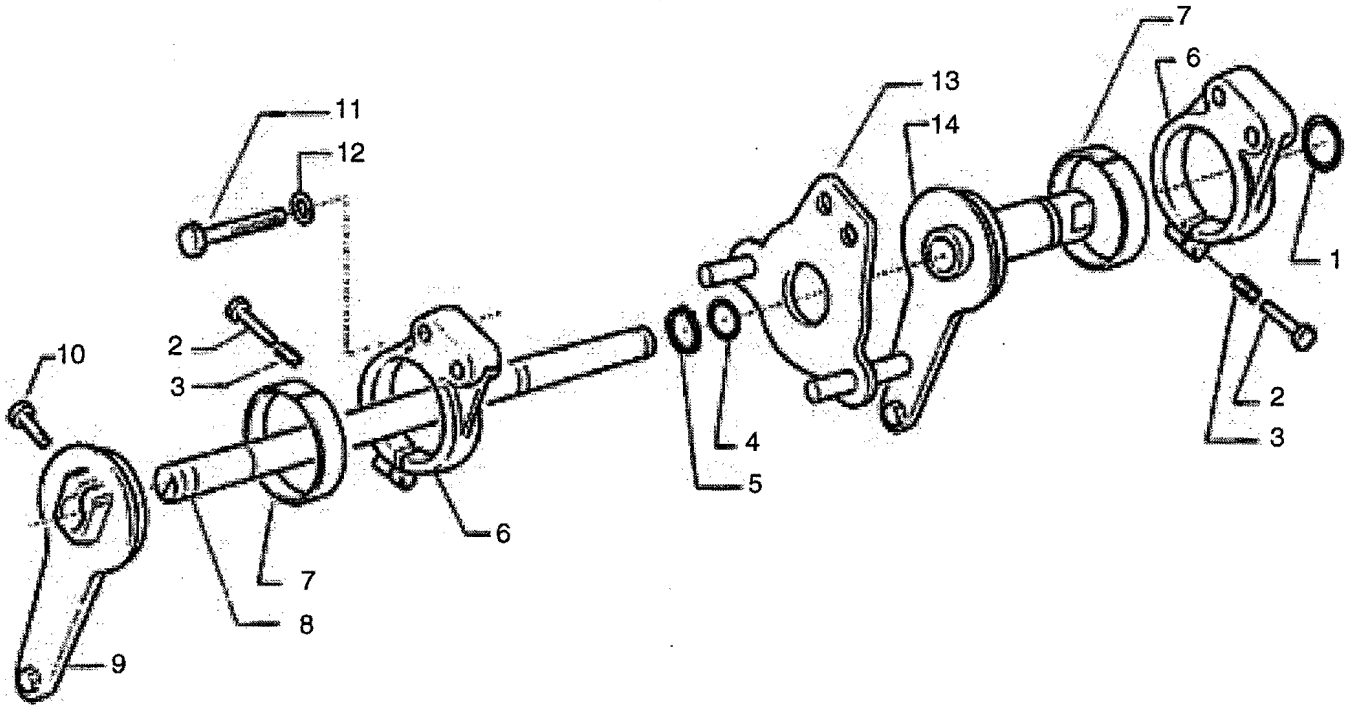
DRAFT SENSOR

665 / 665 DTC

ITEM No.	PART No.	DESCRIPTION	VENDOR No.	QUANTITY	
				665 665 DTC	
1	ESL13205	Spring Cover	D10061640	1	1
2	ESL13206	O'Ring	D10061700	1	1
3	ESL13207	Rod	D10062190	1	1
4	ESL13208	Washer	D10061710	1	1
5	ESL13209	Spring	D10062480	1	1
6	N605559S8	Bolt (M12x30)	-	2	2
7	ESL13059	Pin (D5x25)	D10064610	1	1
8	ESL13210	Lever	D10062430	1	1
9	ESL13211	Lock Washer	D10061790	1	1
10	ESL13212	Rod	D10062070	1	1
11	34053S8	Nut (M10)	-	1	1
12	ESL13213	Plate	D10061800	1	1
13	ESL13154	Bolt (M8x35)	D81501080	1	1
14	N630173S8	Spring Washer	-	1	1
15	ESL13214	Bush	D10061840	1	1
16	ESL13215	Grease Nipple (M10x1)	D92500060	3	3
17	ESL13216	O'Ring	D10061460	2	2
18	ESL13207	Shaft	D10062190	1	1
19	ESL13177	Nut (M12)	D83500470	1	1
20	ESL13217	Bracket -3rd Point	D10061500	1	1
21	ESL13192	Pin (D6x35)	D10063900	2	2
22	ESL13218	Lock Pin (D10)	D10098130	2	2
23	ESL13219	Pin - 3rd Point	D10062410	1	1
24	ESL13220	Pin - 3rd Point	D10098090	1	1
25	ESL13221	Flange	D10061730	1	1
26	ESL13222	Bush	D10062420	1	1
27	ESL13223	Washer	D10061740	1	1

DRAFT SENSOR

665 / 665 DTC



OUTER LIFTING CONTROL

665 / 665 DTC

ITEM No.	PART No.	DESCRIPTION	VENDOR No.	QUANTITY	
				665	665 DTC
1	ESL13224	O'Ring	D10061450	1	1
2	ESL13225	Bolt (M6x40)	D81501010	2	2
3	ESL13226	Spring	D10061600	2	2
4	ESL13178	O'Ring	D10061540	1	1
5	ESL12874	Snap Ring	D93000340	1	1
6	ESL13228	Support	D10061630	2	2
7	ESL13229	Clutch Ring	D10061590	2	2
8	ESL13230	Position Drive Shaft	D10062110	1	1
9	ESL13231	Lever	D10062120	1	1
10	ESL13232	Bolt (M10x30)	-	1	1
11	ESL13233	Bolt (M8x55)	D81501100	2	2
12	N630173S8	Spring Washer	-	2	2
13	ESL13236	Flange	D10061490	1	1
14	ESL13235	Stress Drive Shaft	D10062390	1	1

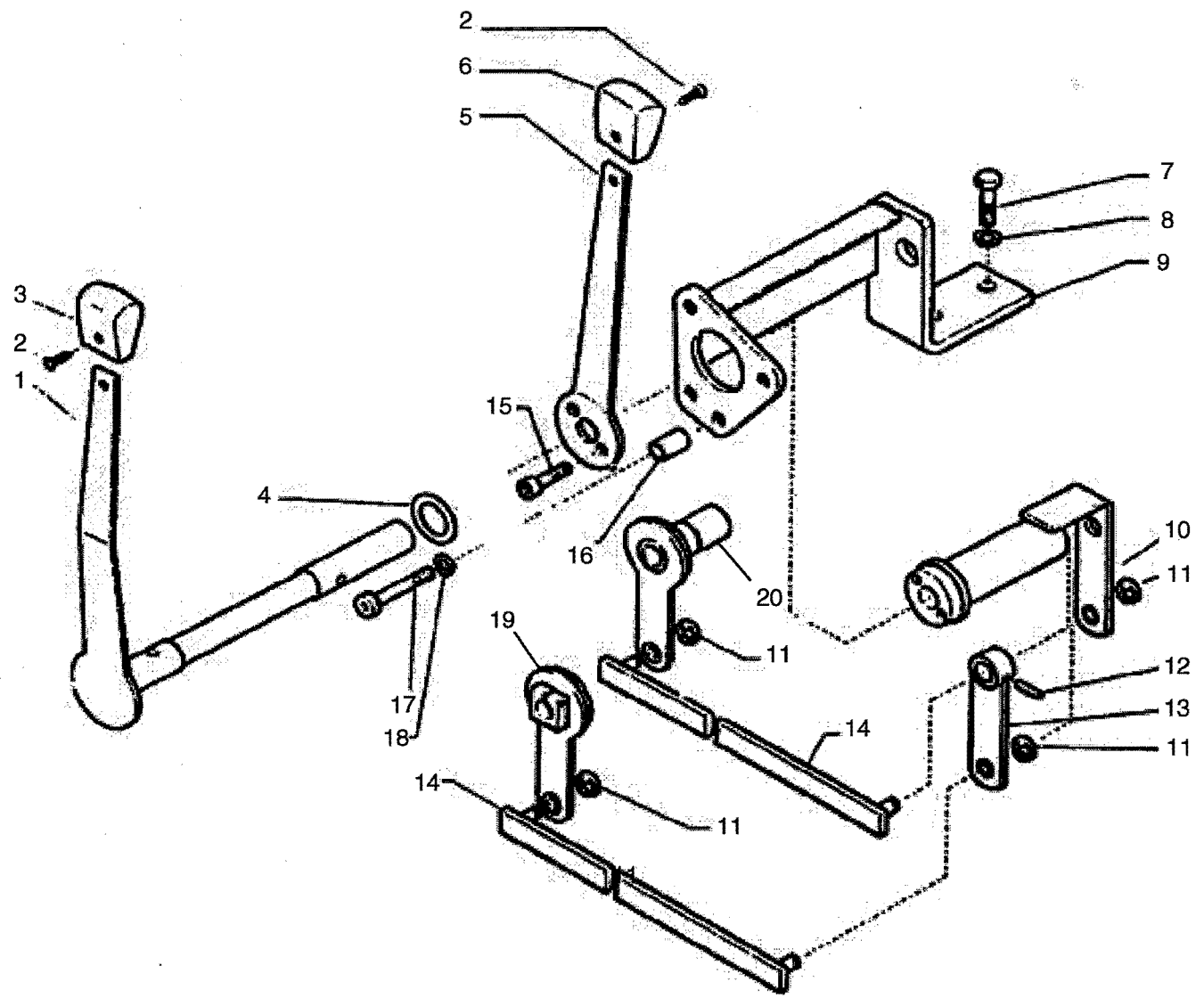
OUTER LIFTING CONTROL

Ⓢ - SERIAL NUMBER BREAK ,



- INDICATES UP TO AND INCLUDING THAT SERIAL NUMBER

665 / 665 DTC



OUTER LIFTING CONTROL LEVERS

10:13

Ⓢ - SERIAL NUMBER BREAK, ↙ - INDICATES UP TO AND INCLUDING THAT SERIAL NUMBER



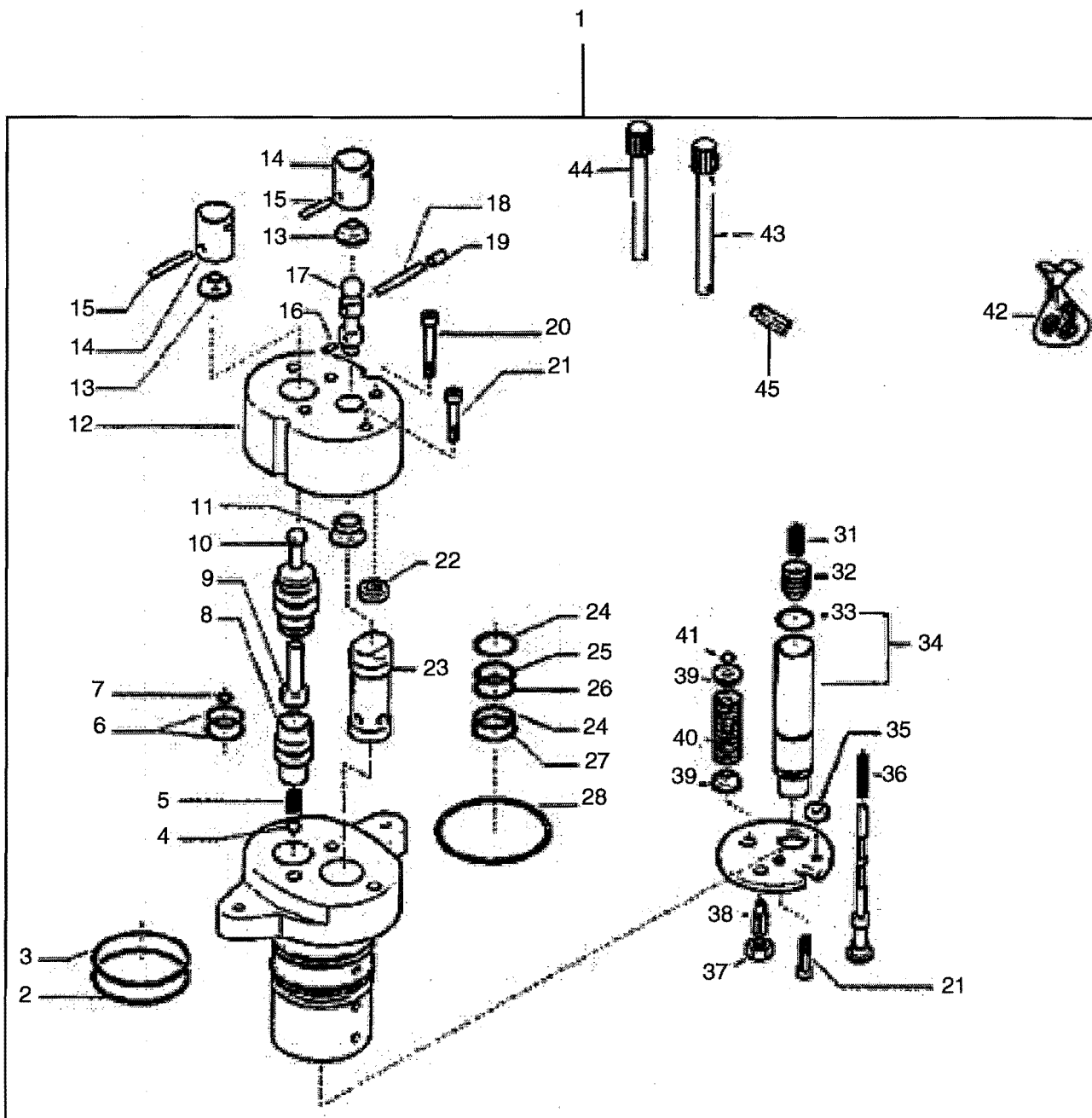
HYDRAULIC SYSTEM

665 / 665 DTC

ITEM No.	PART No.	DESCRIPTION	VENDOR No.	QUANTITY	
				665 665 DTC	
1	ESL13236	Drive Lever	D10061490	1	1
2	ESL13237	Screw (M3.5x13)	D82500380	2	2
3	ESL13238	Knob (Yellow)	-	1	1
4	ESL13239	Washer	-	1	1
5	ESL13240	Drive Lever	D10098040	1	1
6	ESL13241	Knob (Red)	-	1	1
7	ESL12672	Bolt (M10x25)	-	2	2
8	N630174S8	Spring Washer	-	2	2
9	ESL13242	Support	D10062490	1	1
10	ESL13243	Drive Shaft	D10062130	1	1
11	ESL13244	Snap Ring	D10081740	4	4
12	ESL12880	Pin (D.6x25)	D93400250	1	1
13	ESL13245	Lever	D10062140	1	1
14	ESL13246	Rod	D10062500	2	2
15	ESL12073	Bolt (M6x16)	D81500360	2	2
16	ESL13247	Spacer	D10098060	4	4
17	N600212S8	Bolt (M8x35)	-	4	4
18	N630173S8	Spring Washer	-	4	4
19	ESL13231	Lever	D10062120	1	1
20	ESL13235	Stress Drive Shaft	D10062390	1	1

OUTER LIFTING CONTROL LEVERS

665 / 665 DTC



*NOTE: Item No. 29 and Item No. 30 do not show as such but the description on page 129 shows what these items consists of.

MAIN DISTRIBUTION VALVE

10:15

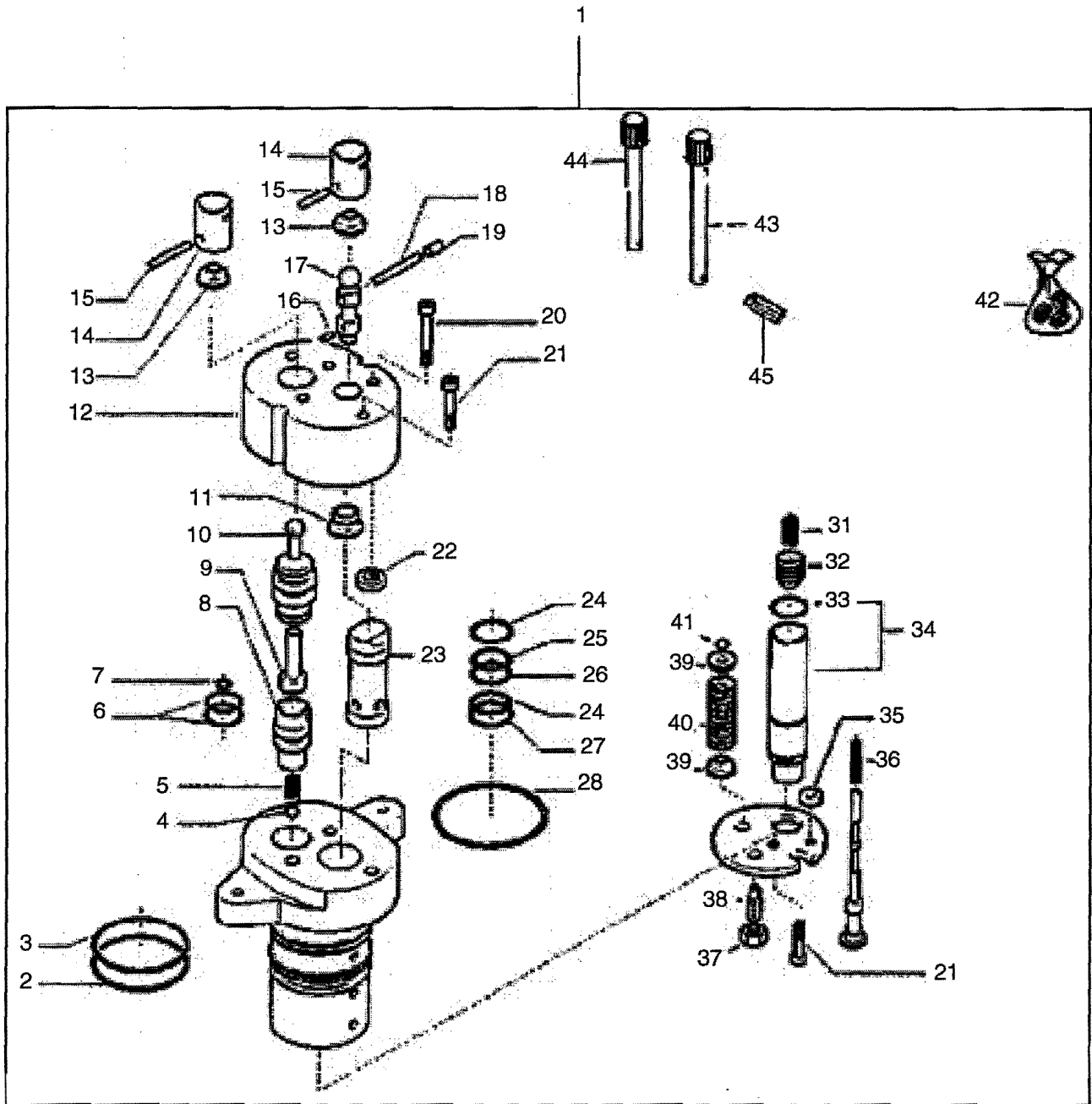
© - SERIAL NUMBER BREAK, ↙ - INDICATES UP TO AND INCLUDING THAT SERIAL NUMBER

665 / 665 DTC

ITEM No.	PART No.	DESCRIPTION	VENDOR No.	QUANTITY	
				665	665 DTC
1	ESL13248	Distributor, Assembly	D10068010	1	1
2	ESL13363	Ring	-	1	1
3	ESL13364	O'Ring	-	2	2
4	ESL13365	Ball (11/32)	-	1	1
5	ESL13366	Spring	-	1	1
6	-	O'Ring (NSS)	-	2	2
7	-	O'Ring (NSS)	-	1	1
8	-	Seal, Block (NSS)	-	1	1
9	-	Piston (NSS)	-	1	1
10	-	Push Rod (NSS)	-	1	1
11	-	Ring Nut (NSS)	-	1	1
12	-	Cover (NSS)	-	1	1
13	-	Boot (NSS)	-	2	2
14	ESL13374	Joint	-	2	2
15	ESL13375	Pin	-	2	2
16	-	Pin (NSS)	-	2	2
17	-	Push Rod (NSS)	-	1	1
18	-	Pin (NSS)	-	1	1
19	-	Cap (NSS)	-	1	1
20	ESL12100	Bolt (M6x16)	-	2	2
21	ESL13380	Bolt (M6x25)	-	5	5
22	-	Bush (NSS)	-	2	2
23	-	Valve (NSS)	-	1	1
24	-	O'Ring (NSS)	-	2	2
25	-	Ring (NSS)	-	1	1
26	-	O'Ring (NSS)	-	1	1
27	-	Ring (NSS)	-	1	1
28	-	O'Ring (NSS)	-	1	1
29	ESL13249	Repair Kit, Sensitivity Regulation (Includes Items #11,13,16-17)	D10005850	1	1
30	ESL13250	Repair Kit, Block Seat Assembly (Includes Items#6-8)	D10005860	1	1
31	-	Spring (NSS)	-	1	1
32	-	Differential Valve (NSS)	-	1	1
33	-	O'Ring (NSS)	-	1	1
34	ESL13391	Differential Valve Seal Assembly (NSS)	-	1	1
35	-	Seat (NSS)	-	2	2
36	-	Spring (NSS)	-	1	1
37	ESL13394	Nut (M8)	-	2	2
38	ESL13395	Grub, Screw (M8x16)	-	2	2

MAIN DISTRIBUTION VALVE

665 / 665 DTC



*NOTE: Item No. 29 and Item No. 30 do not show as such but the description on page 129 shows what these items consists of.

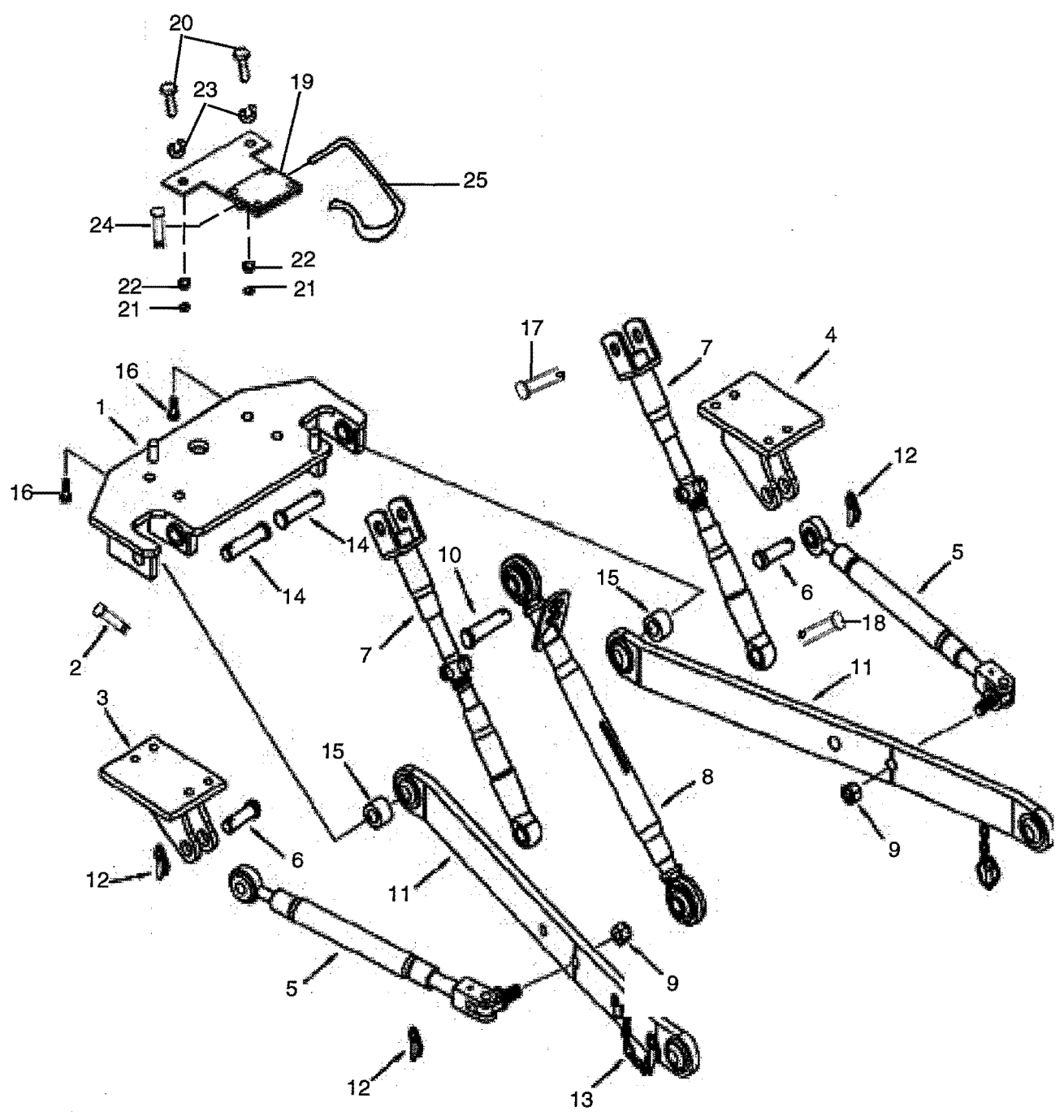
MAIN DISTRIBUTION VALVE

665 / 665 DTC

<i>ITEM No.</i>	<i>PART No.</i>	<i>DESCRIPTION</i>	<i>VENDOR No.</i>	<i>QUANTITY</i>	
				665 665 DTC	
39	-	Spring Guide (NSS)	-	4	4
40	-	Spring (NSS)	-	2	2
41	-	Ball (5/16) (NSS)	-	2	2
42	ESL13251	Oil Seal Kit (Includes Items #24-28,33,35-36)	D10098070	1	1
43	ESL13252	Lever Assembly, Flow Control Valve	-	1	1
44	ESL13401	Lever Assembly, Flow Control Valve	-	1	1
45	ESL13402	Roll Pin	-	2	2

MAIN DISTRIBUTION VALVE

665 / 665 DTC



**

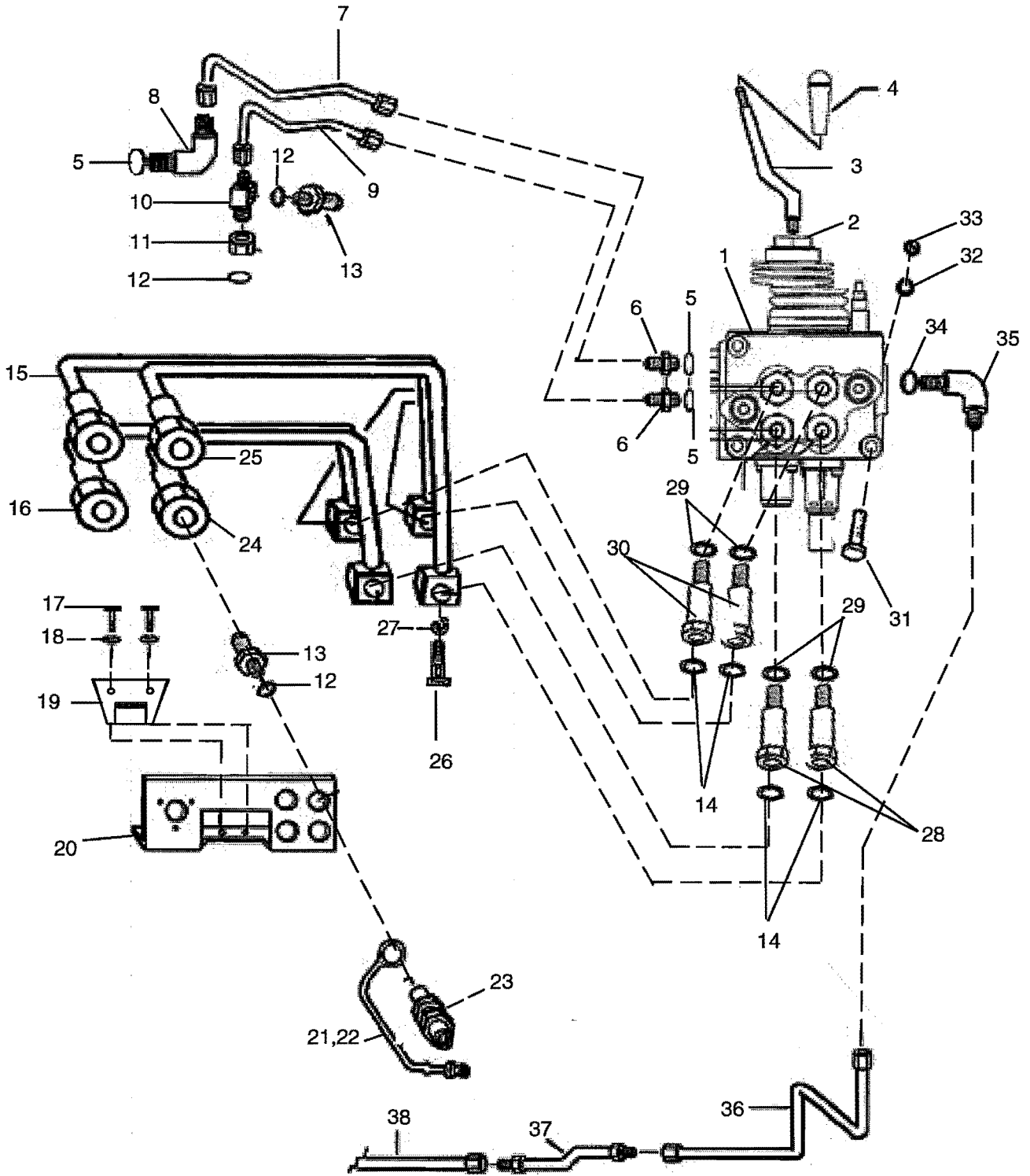
HYDRAULIC LIFT LINKAGES

665 / 665 DTC

<i>ITEM No.</i>	<i>PART No.</i>	<i>DESCRIPTION</i>	<i>VENDOR No.</i>	<i>QUANTITY</i>	
				665 665 DTC	
1	ESL13254	Support, Lower Link Mounting	-	1	1
2	ESL12778	Roll Pin	D87000130	2	2
3	ESL13255	Bracket, Stay Bar, LH	D10039340	1	1
4	ESL13256	Bracket, Stay Bar, RH		1	1
5	ESL13257	Stay Bar Assembly	D10048380	2	2
6	ESL13258	Pin	D10043010	2	2
7	ESL13259	Lift Rod Assembly	D10048370	2	2
8	ESL13260	Link Assembly, Upper Lift	-	1	1
9	ESL13731	Nut	D83000290	2	2
10	ESL13262	Pin, Upper Lift	D10043230	2	2
11	ESL13263	Lower Link	-	2	2
12	ESL13264	Linch Pin	D10042600	6	6
13	ESL13265	Chain & Clip Assembly	D10043220	4	4
14	ESL13266	Pin, Fulcurm	-	2	2
15	ESL13267	Spacer	-	2	2
16	ESL13269	Screw, Self Locking(M16)	-	4	4
17	ESL14186	Pin, Lift Rod, Upper	-	2	2
18	ESL14187	Pin, Lift Rod, Lower	-	2	2
19	ESL14188	Bracket, Top Link	D10047760	1	1
20	304648S8	Bolt, Hex Head (5/16-18x3/4)	-	4	4
21	33797S8	Nut, Hex (5/16-18)	-	4	4
22	34806S8	Washer, Lock (5/16)	-	4	4
23	44720S8	Washer, Flat (1/4)	-	4	4
24	72004S8	Pin, Cotter (3/32x1/2)	-	1	1
25	903560	Hook, Center Link	-	1	1

HYDRAULIC LIFT LINKAGES

665 / 665 DTC



DOUBLE ACTING SPOOL VALVE

10:21

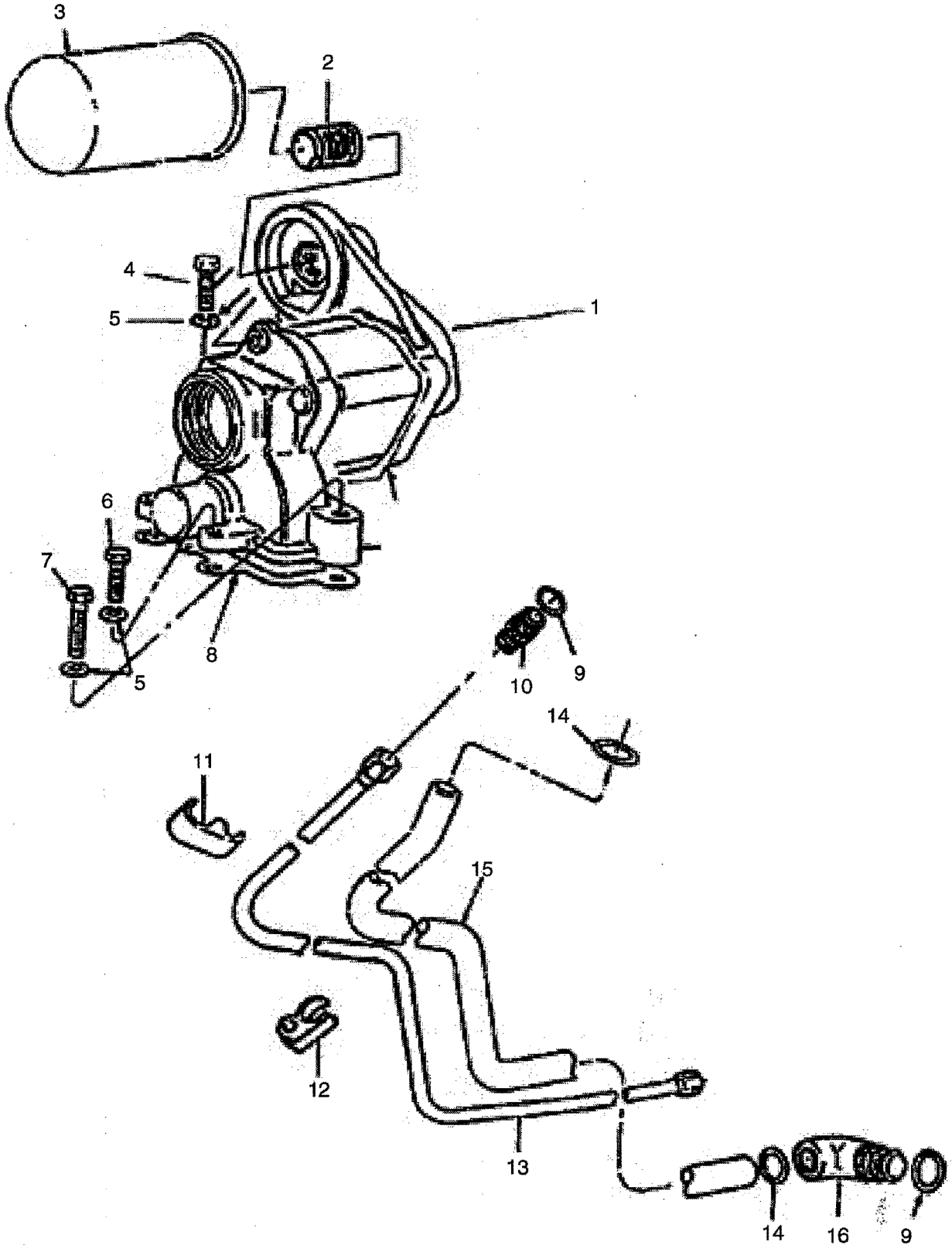
Ⓢ - SERIAL NUMBER BREAK, ↙ - INDICATES UP TO AND INCLUDING THAT SERIAL NUMBER

665 / 665 DTC

ITEM No.	PART No.	DESCRIPTION	VENDOR No.	QUANTITY	
				665	665 DTC
1	ESL13644	Valve Assembly, Hydraulic Control	D10044310	1	1
2	ESL13645	Nut, Hex (M12x1.75)	-	1	1
3	ESL13646	Lever	-	1	1
4	ESL12687	Knob	D10042450	1	1
5	ESL10008	'O'Ring	D93600190	3	3
6	ESL13648	Adapter	D10044040	2	2
7	ESL13649	Tube Assembly, Spool Valve to Hydraulic Lift	D10044210	1	1
8	ESL13643	Elbow	D10043150	1	1
9	ESL13650	Tube Assembly, (Spool Valve to Housing	D10044220	1	1
10	ESL12747	Adapter, Return	D10039720	1	1
11	ESL13164	Lock Nut	-	1	1
12	ESL10021	'O'Ring	D93600070	1	1
13	ESL11257	Adapter	D10021160	5	5
14	ESL10022	'O'Ring	D10027170	5	5
15	ESL13651	Tube Assembly, (Hydraulic Control Valve, LH Upper	D10044090	1	1
16	ESL13652	Tube Assembly, (Hydraulic Control Valve, LH Lower	D10044110	1	1
17	ESL12897	Bolt, Hex (M10x1.5x30)	D81500370	2	2
18	N630174S8	Washer, Lock (M10)	-	2	2
19	ESL13268	Bracket	-	1	1
20	ESL13654	Bracket, Coupling Mounting	D10043440	1	1
21	ESL13655	Dust Plug, Red	-	2	2
22	ESL13656	Dust Plug, Blue	D10105250	2	2
23	ESL12604	Coupling Assembly, Red	D10026100	2	2
-	ESL12605	Coupling Assembly, Blue	-	2	2
24	ESL13657	Tube Assembly, (Hydraulic Control Valve, RH Lower	D10044120	1	1
25	ESL13658	Tube Assembly, (Hydraulic Control Valve, RH Upper	D10044100	1	1
26	311113S8	Banjo Bolt	-	4	4
27	86438S8	'O'Ring	-	4	4
28	ESL13659	Adapter, Big	D10044160	2	2
29	ESL13660	Sealing Washer	-	4	4
30	ESL13661	Adapter, Small	D10044150	2	2
31	ESL13662	Bolt, Hex (M8x1.25x60)	-	3	3
32	N630068S8	Washer, Lock (M8)	-	3	3
33	N620013S8	Nut, Hex (M8)	-	3	3
34	ESL13665	Sealing Washer	-	1	1
35	ESL13666	Elbow	D10044030	1	1
36	ESL13667	Tube Assembly, (Hydraulic Pump Pressure)	-	1	1
37	ESL12757	Tube Assembly, Tap Off	D10044260	1	1
38	ESL13668	Tube Assembly, (Hydraulic Pump Pressure)	D10044240	-	-
-	ESL12756	Tube Assembly, (Hydraulic Pump Pressure)	D10046970	1	1

DOUBLE ACTING SPOOL VALVE

665 / 665 DTC



HYDRAULIC PUMP

665 / 665 DTC

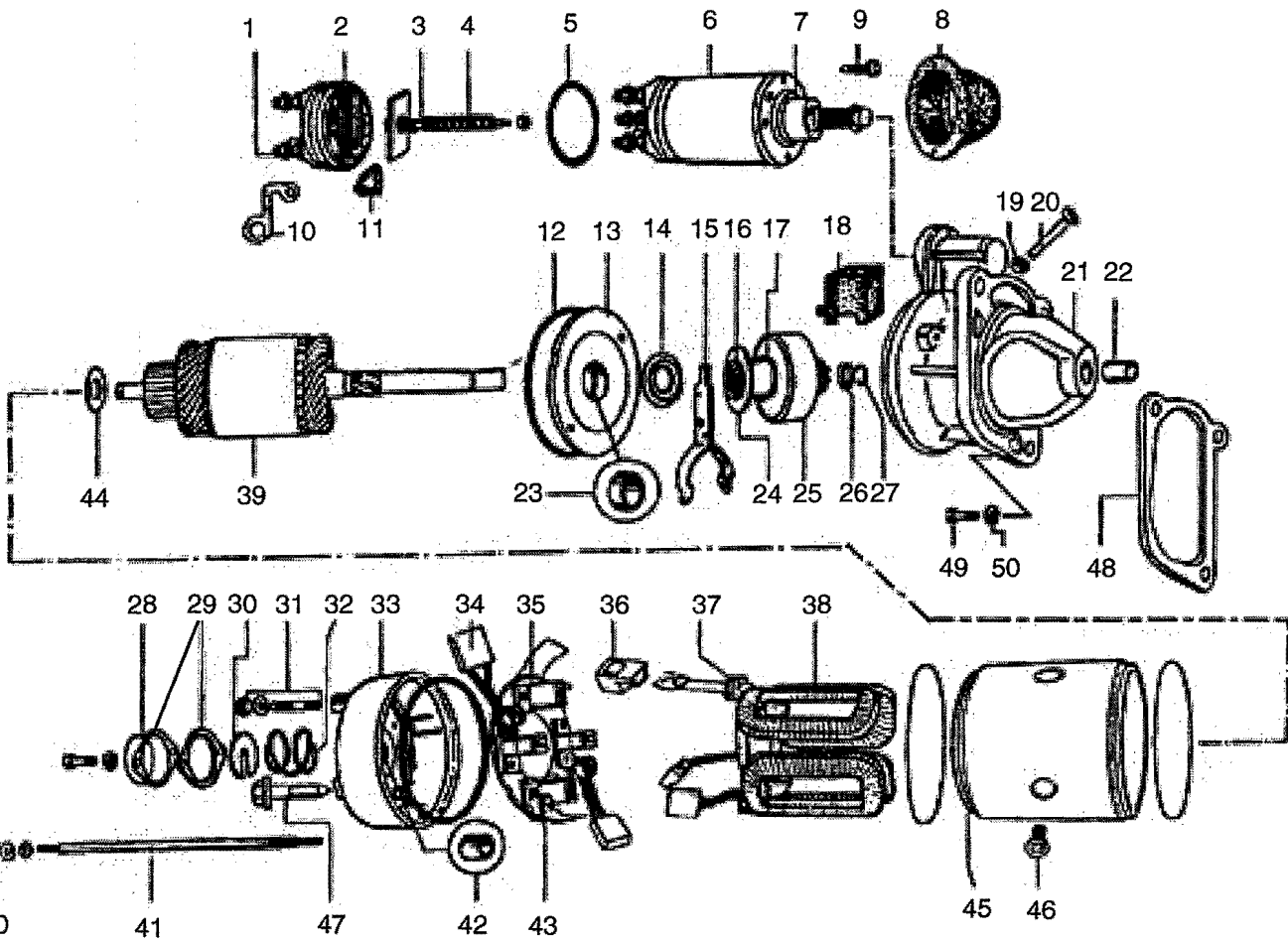
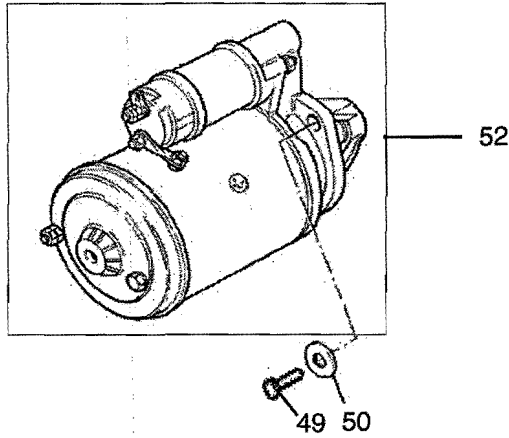
ITEM No.	PART No.	DESCRIPTION	VENDOR No.	QUANTITY	
				665	665 DTC
1	ESL11276	Pump Assembly, Hydraulic	D10026150	1	1
2	ESL13284	Adapter, Filter	-	1	1
3	ESL11255	Filter Assembly	D10026160	1	1
4	ESL12448	Bolt, Hex Head (3/8-16x1.50)	-	1	1
5	34807S8	Washer, Lock (3/8)	-	4	4
6	304760S8	Bolt, Hex Head (3/8-16x1.50)	-	22	22
7	ESL11927	Bolt, Hex Head (3/8-16x2.38)	D10021580	2	2
8	ESL13703	Gasket, Pump to Block	D10013140	1	1
9	ESL11270	'O'Ring	D93600020	2	2
10	ESL11257	Connector (1/2-3/4-16)	D10021160	1	1
11	ESL11263	Grommet, Hydraulic Pump, Pipe Support	D10012190	1	1
12	ESL11258	Grommet, Hydraulic Pump, Pipe Support	D10012210	1	1
13	ESL13668	Tube, Pump Pressure	D10044240	1	1
14	ESL11238	'O'Ring (1.125 IDx0.139)	D93600080	2	2
15	ESL13671	Tube, Pump Inlet	-	1	1
16	ESL12749	Elbow, Hydraulic Tube Inlet	D10042570	1	1

HYDRAULIC PUMP

Notes

***ELECTRICALS, GAUGES
&
LIGHT SYSTEM***

665 / 665 DTC



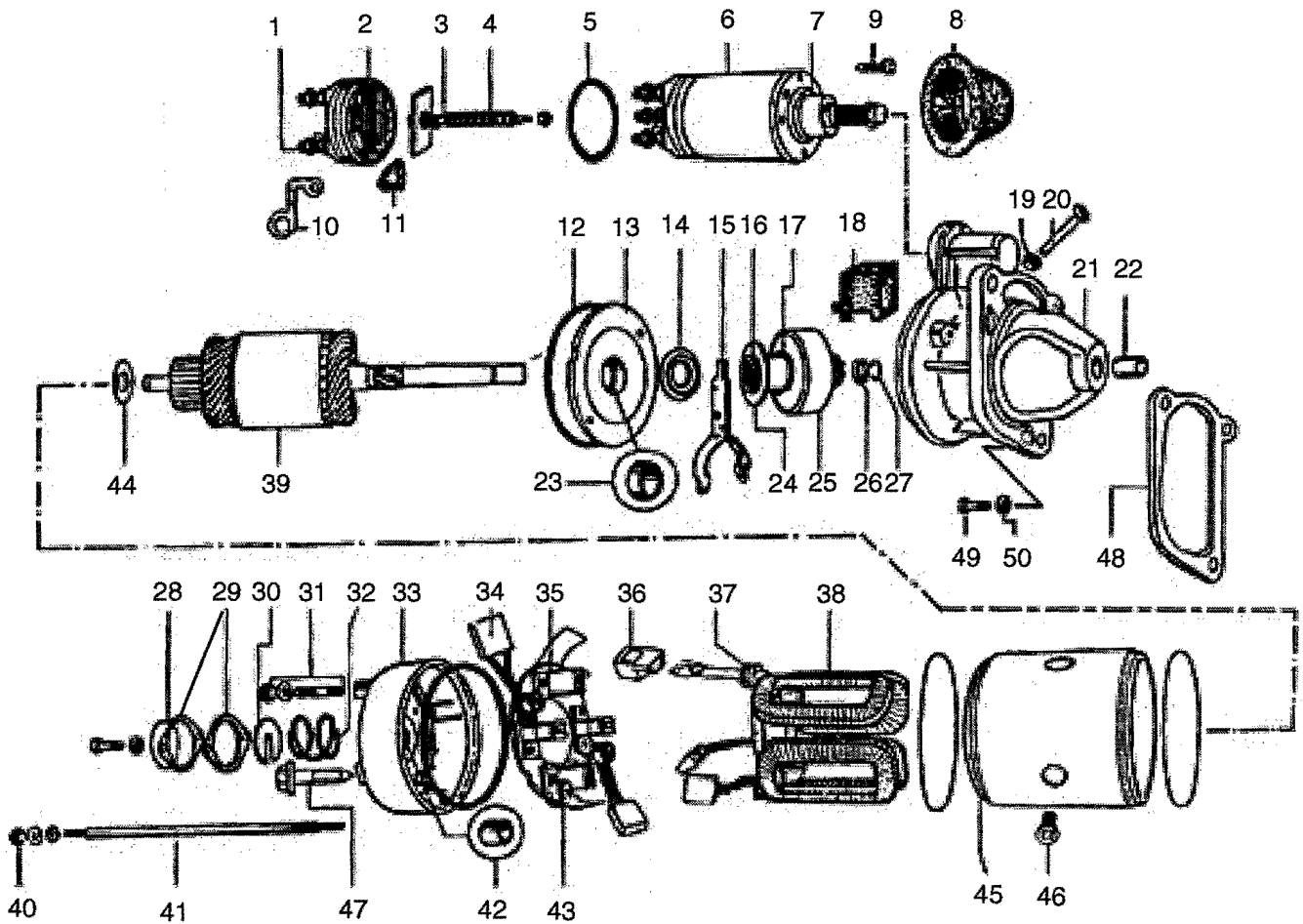
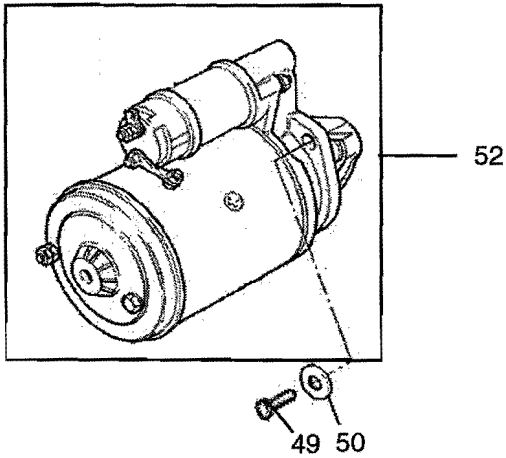
STARTER MOTOR & RELAY ASSEMBLY

665 / 665 DTC

ITEM No.	PART No.	DESCRIPTION	VENDOR No.	QUANTITY	
				665 665 DTC	
1	-	Main Terminal (Solenoid) (NSS)	D10011870	2	2
2	-	Terminal Base Assembly (NSS)	-	1	1
3	-	Spindle Assembly (NSS)	D92500050	1	1
4	-	Plunger Return Spring (NSS)	-	1	1
5	ESL13444	Sealing Ring (Solenoid)	D10012460	1	1
6	ESL13445	Solenoid Switch Assembly	-	1	1
7	-	Plunger Assembly (NSS)	D10058800	1	1
8	-	Shroud (NSS)	D10026870	1	1
9	-	Screw (Solenoid Fixing) (NSS)	D10107500	3	3
10	ESL13449	Connector	D10089660	1	1
11	-	Seal (NSS)	-	1	1
12	ESL13451	Sealing Ring (DE & CE)	-	2	2
13	-	Intermediate Bracket Assembly (NSS)	-	1	1
14	ESL13453	Oil Seal	D10107510	1	1
15	-	Engaging Lever Assembly (NSS)	-	1	1
16	-	Jump Ring (Pinion) (NSS)	D10012620	1	1
17	-	Spring Pinion (NSS)	D10017310	1	1
18	-	Gommet (NSS)	D10012620	1	1
19	-	Nut (Pivot) (NSS)	D10017310	1	1
20	-	Pivot Pin (NSS)	-	1	1
21	-	Fixing Bracket Assembly (NSS)	D10012180	1	1
22	ESL13461	Bearing Bush (Fixing Bracket)	D10012130	1	1
23	ESL13462	Bearing Bush (Inter Bracket)	D10012610	1	1
24	-	Operating Plate (Pinion) (NSS)	D10012160	1	1
25	ESL13464	Drive Assembly	D10021930	1	1
26	ESL13465	Thrust Collar	D93100050	1	1
27	ESL13466	Jump Ring	-	1	1
28	-	End Cover (NSS)	-	1	1
29	ESL13468	Seal (End Cover)	-	2	2
30	-	C'Washer (NSS)	-	1	1
31	ESL13470	Earth Terminal	D10105220	1	1
32	-	Spring (End Cover) (NSS)	-	1	1
33	-	C & E Bracket Assembly (NSS)	D10092220	1	1
34	ESL13473	Brush Set	D10058810	1	1
35	ESL13474	Brush Carrier Assembly	-	1	1
36	ESL13475	Lead Assembly	-	1	1
37	-	Grommet (NSS)	-	1	1
38	ESL13477	Field Coil Assembly	-	1	1
39	ESL13478	Armature Assembly	-	1	1
40	ESL13479	Nut (Fixing Stud)	-	2	2

STARTER MOTOR & RELAY ASSEMBLY

665 / 665 DTC



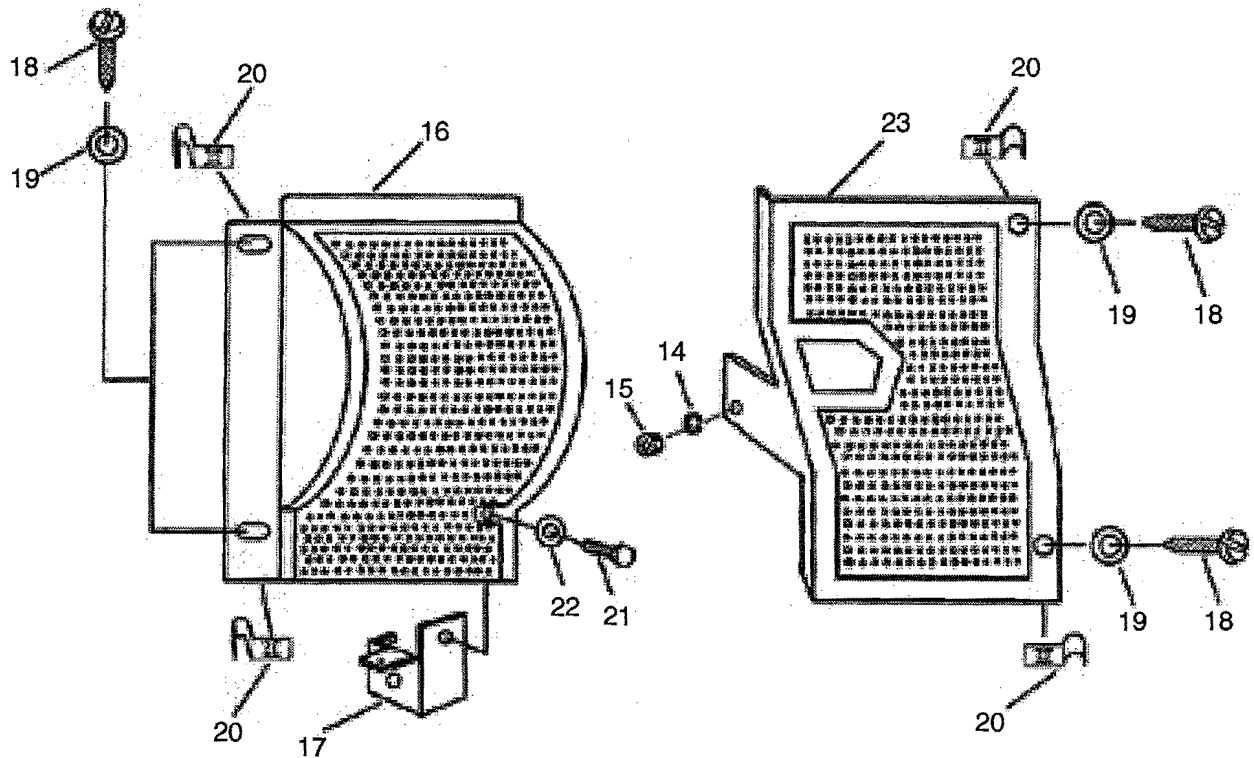
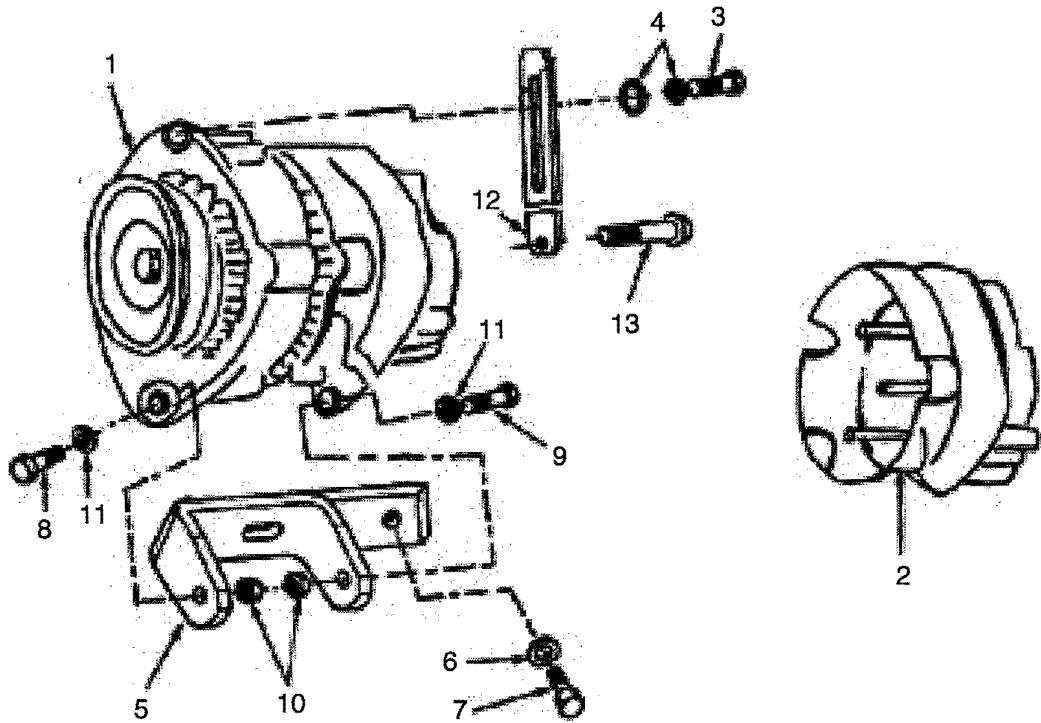
STARTER MOTOR & RELAY ASSEMBLY

665 / 665 DTC

ITEM No.	PART No.	DESCRIPTION	VENDOR No.	QUANTITY	
				665	665 DTC
41	-	Fixing Stud (NSS)	-	1	1
42	ESL13481	Bearing Bush	-	1	1
43	ESL13482	Brush Spring	-	4	4
44	-	Stop Washer (NSS)	-	1	1
45	-	Insulation Yoke (NSS)	-	1	1
46	-	Pole Screw (NSS)	-	4	4
47	-	Screw (NSS)	-	2	2
48	ESL13487	Gasket Starter Motor	D10017570	1	1
49	304722S8	Bolt, Hex Head (3/8-16x1.25)	-	3	3
50	34807S8	Washer, Lock (3/8)	-	3	3
51	ESL11461	Clip, Wiring (NI)	D10019390	1	1
52	ESL12587	Starter Motor Assembly	D10026880	1	1

STARTER MOTOR & RELAY ASSEMBLY

665 / 665 DTC



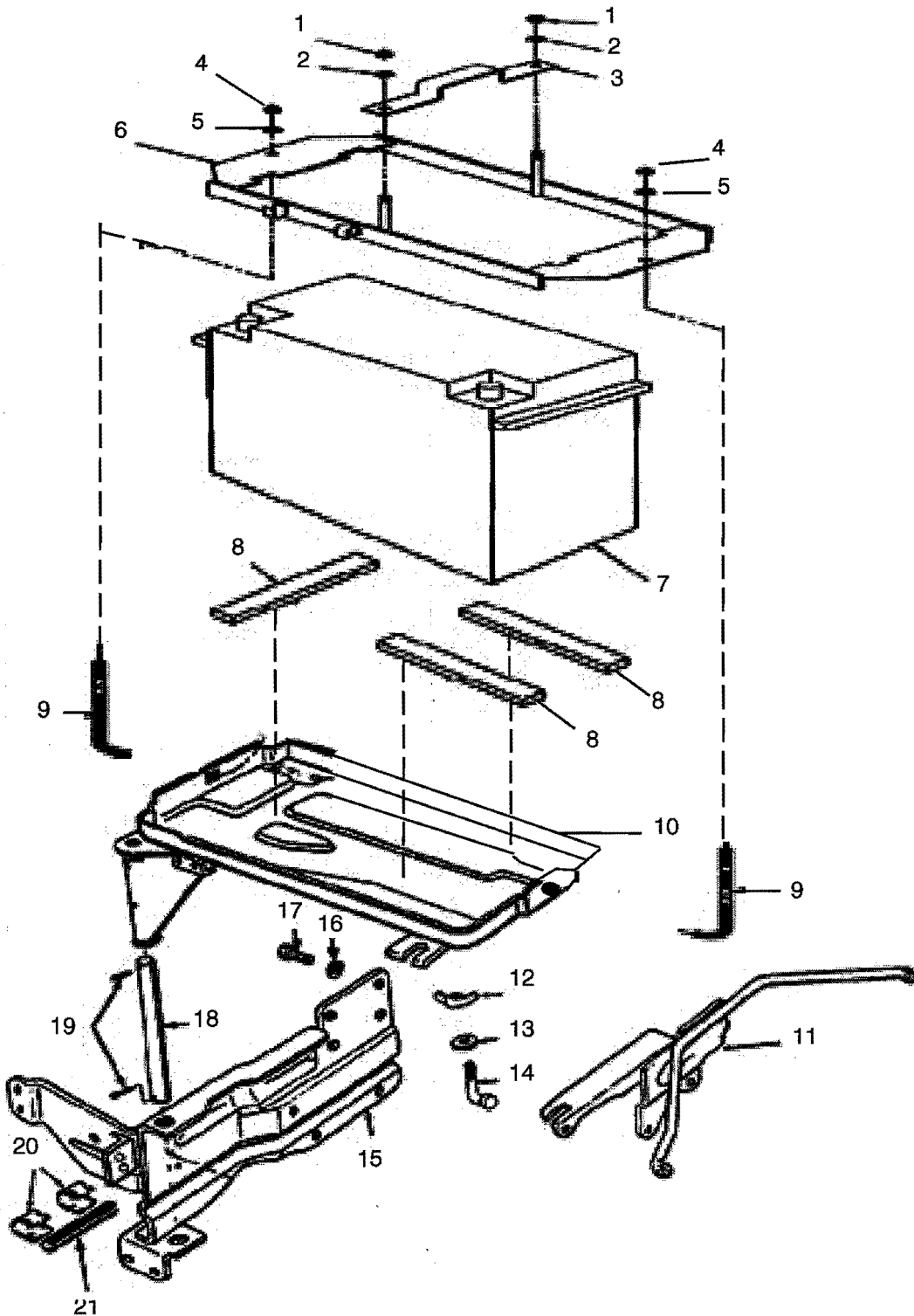
ALTERNATOR & GUARD

665 / 665 DTC

<i>ITEM No.</i>	<i>PART No.</i>	<i>DESCRIPTION</i>	<i>VENDOR No.</i>	<i>QUANTITY</i> 665 665 DTC	
1	ESL12537	Alternator & Regulator Assembly	D10026590	1	1
2	ESL11332	Shield Alternator	-	1	1
3	E602189S8	Bolt, Hex (M8x1.25x30)	-	1	1
4	ESL11720	Washer, Flat (M8x19x3)	D85500130	2	2
5	ESL11960	Bracket Mounting Alternator	-	1	1
6	ESL11719	Washer, Bracket Mounting	D10021570	2	2
7	42997S8	Bolt, Hex (3/8-16x0.875)	-	2	2
8	ESL11955	Bolt (M10-1.5x90)	D81500290	1	1
9	N600313S8	Bolt (M10-1.5x40)	-	1	1
10	N620014S8	Nut (M10-1.5)	-	2	2
11	ESL11956	Washer (M10)	D85500140	2	2
12	ESL12539	Arm, Alternator Belt Adjusting	D10010960	1	1
13	304739S8	Bolt, Hex (5/16-18x1.375)	-	1	1
14	34791S8	Washer, Hex (5/16)	-	1	1
15	33797S8	Nut, Hex (5/16-18)	-	1	1
16	ESL13491	Guard, Alternator & Fan, LH	D10017090	1	1
17	ESL13492	Bracket Assembly	D10010940	1	1
18	ESL12040	Screw, Pan Head (1/4-14x2.00)	D82000060	4	4
19	ESL12046	Washer, Flat (1/4)	D85500100	4	4
20	ESL12042	Nut, Spring U (1/2-14)	D83000250	4	4
21	ESL12073	Bolt, Hex Head (M6-1x16)	D81500360	1	1
22	N630067S8	Washer, Flat (M6)	-	1	1
23	ESL12001	Guard Assembly Alternator & Fan, RH	D10059210	1	1

ALTERNATOR & GUARD

665 / 665 DTC



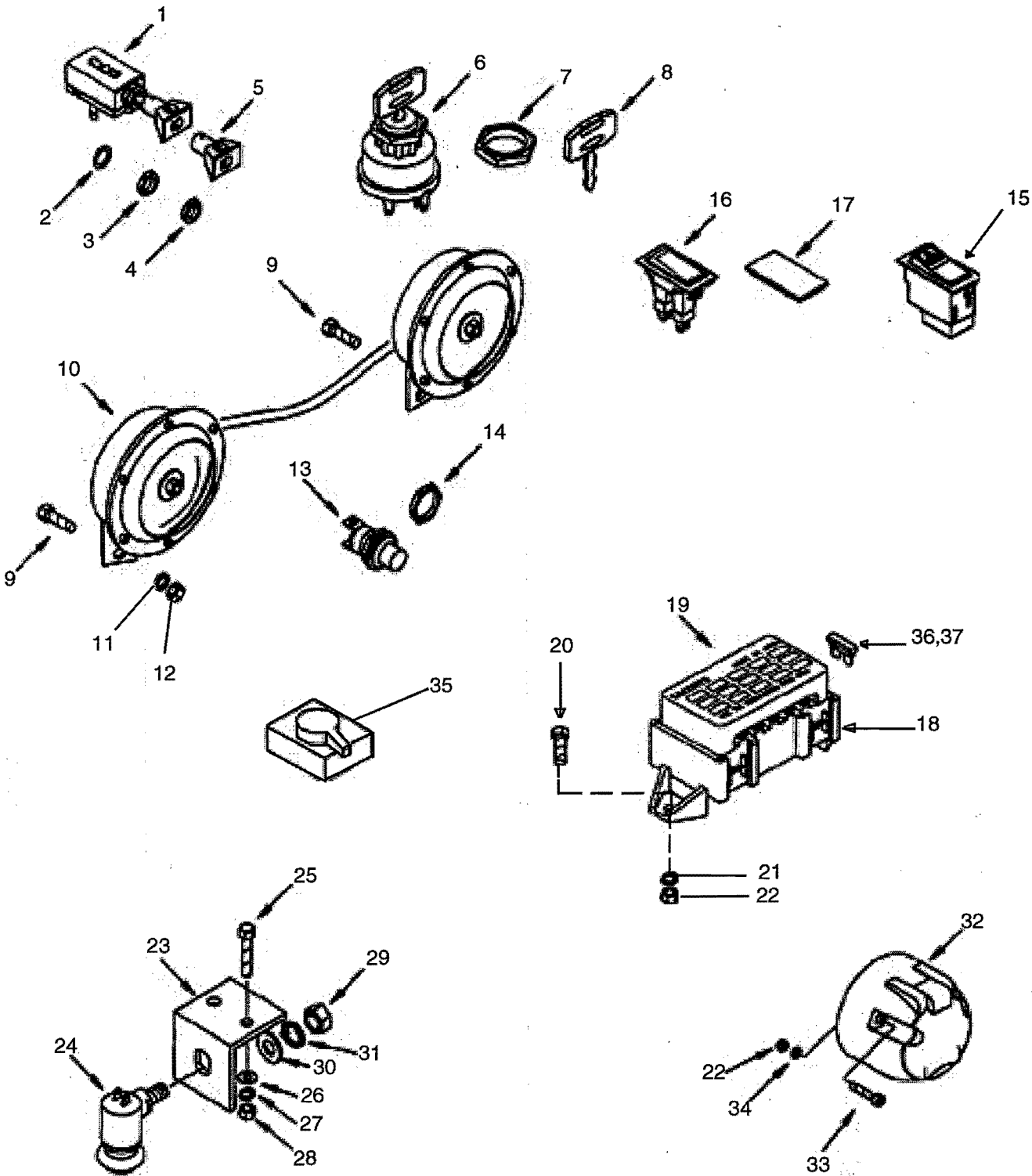
BATTERY & BATTERY SUPPORT

665 / 665 DTC

ITEM No.	PART No.	DESCRIPTION	VENDOR No.	QUANTITY	
				665	665 DTC
1	33796S8	Nut, Hex Head (1/4)	-	2	2
2	44719S8	Washer, Flat (1/4)	-	2	2
3	ESL12547	Top Plate, Battery Hold Down	D10026260	1	1
4	383705S8	Nut, Hex Lock (5/16-18)	-	2	2
5	44722S8	Washer, Flat (5/16)	-	3	3
6	ESL12545	Clamp, Battery Hold Down	D10026280	1	1
7	799716	Battery Assembly	-	1	1
8	ESL12548	Pad Battery	D10026290	3	3
9	ESL12546	Rod, Battery Hold Down	D10026270	2	2
10	ESL12285	Tray Assembly, Battery	-	1	1
11	ESL11352	Support, Radiator Shell Upper	D10013330	1	1
12	388769S	Nut, Wing (5/16-18)	-	1	1
13	44724S8	Washer, Flat (5/16)	-	1	1
14	ESL11773	Bolt, Battery Hold Down	D10065740	1	1
15	ESL11342	Bracket Assembly, Battery Support	D10017320	1	1
16	34808S8	Washer, Lock (7/16)	-	4	4
17	304652S8	Bolt, Hex Head (7/16-14x0.75)	-	4	4
18	ESL11350	Pin, Battery Tray	D10018210	1	1
19	ESL13674	Pin, Cotter (5/32x1.25)	-	2	2
20	ESL11354	Clip, Battery Cable Pad	D10018400	1	1
21	ESL11353	Pad, Battery Cable	D10018390	1	1
22	ESL11357	Terminal, Battery Cable, Positive (NI)	-	1	1
23	ESL11356	Cover, Terminal Insulation (NI)	-	1	1
24	ESL11358	Terminal, Battery Cable, Earth (NI)	-	1	1
25	ESL11355	Boot, Terminal Insulation (NI)	-	1	1
26	23017S2	Bolt, Terminal (5/16-18x1.25) (NI)	-	2	2
27	33797S2	Nut, Hex, Terminal (5/16-18) (NI)	-	2	2

BATTERY & BATTERY SUPPORT

665 / 665 DTC



ELECTRICAL SWITCHES



ELECTRICAL, GAUGES & LIGHT SYSTEM

665 / 665 DTC

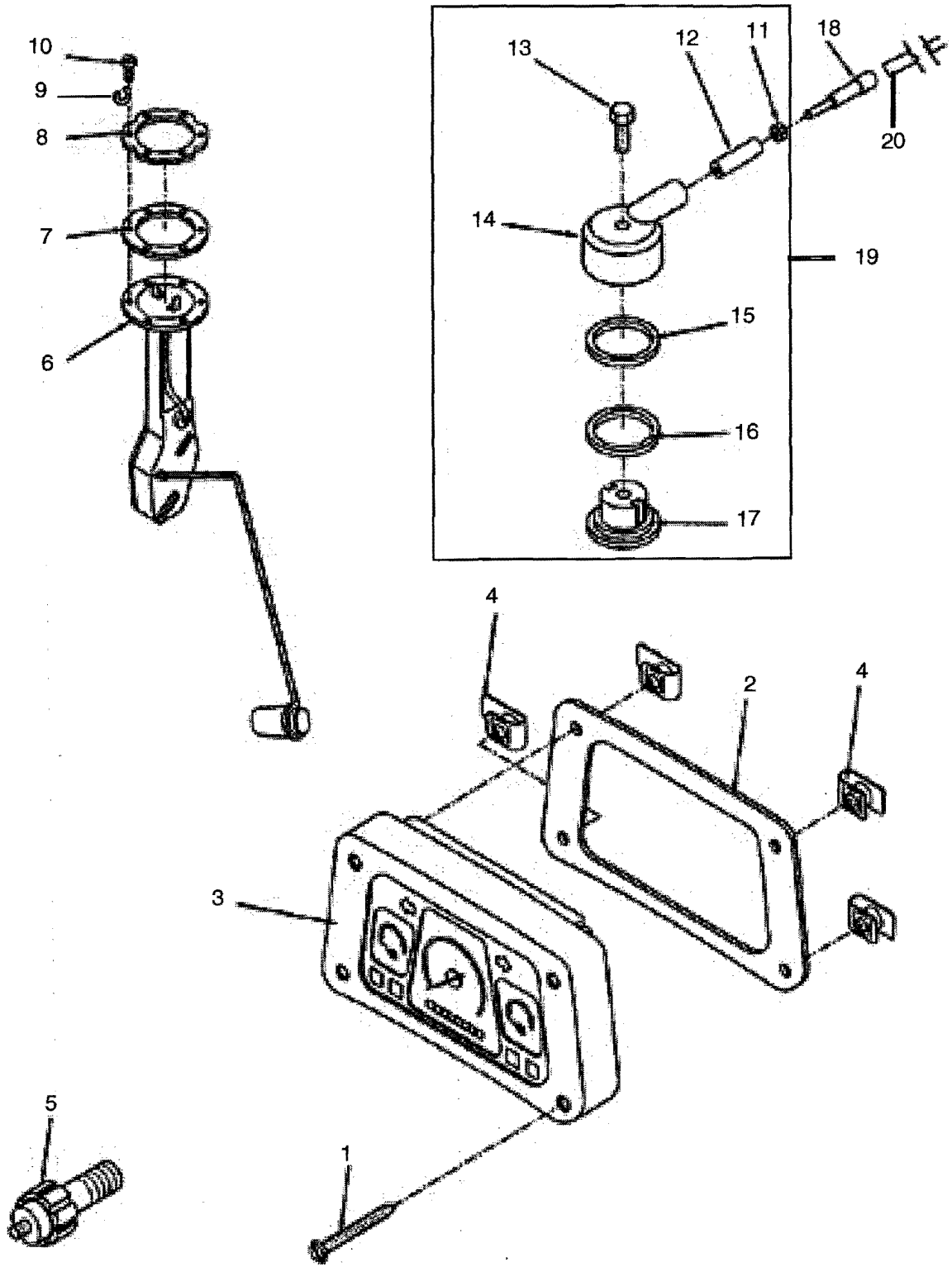
ITEM No.	PART No.	DESCRIPTION	VENDOR No.	QUANTITY	
				665	665 DTC
1	ESL13498	Switch Assembly, Lighting	D10019310	1	1
2	ESL11723	Washer	-	1	1
3	ESL11819	Nut, Lighting Switch	-	1	1
4	ESL11820	Nut, Lighting Switch	-	1	1
5	ESL11360	Knob, Light Switch	-	1	1
6	ESL13499	Switch Assembly, Heat & Starter	-	1	1
7	ESL11821	Nut, Starter Switch	-	-	1
8	ESL11362	Key, Ignition Lock	-	1	1
9	304682S8	Bolt, Hex Head (5/16-18x1.00)	-	2	2
10	ESL11365	Horn Assembly, Dual Tone	D10017850	1	1
11	34941S8	Washer (5/16)	-	2	2
12	33799S8	Nut (5/16)	-	2	2
13	ESL13501	Button Assembly, Horn Blowing	-	1	1
14	ESL12454	Nut, Horn Blowing	-	1	1
15	ESL11364	Switch Assembly, Emergency Warning	D10017860	1	1
16	ESL12573	Switch Assembly, Worklamp	D10026520	1	1
17	ESL11372	Grommet	-	1	1
18	ESL11374	Fuse Box Assembly (Includes Item #19)	-	1	1
19	ESL13734	Cover, Fuse Box	D10105130	1	1
20	ESL11887	Screw, Pan Head (M10-24*0.62)	D82000030	2	2
21	34803S8	Washer, Lock (M10)	-	2	2
22	34053S8	Nut, Hex (M10-24)	-	5	5
23	ESL13503	Bracket, Stop Lamp Switch Mounting	-	-	-
24	ESL13504	Switch Assembly, Stop Lamp	D10016930	1	1
25	N606321S8	Bolt Carriage (M8x1.25x20)	-	2	2
26	44722S8	Washer, Flat (5/16)	-	2	2
27	N630173S8	Washer, Lock (M8)	-	2	2
28	N620013S8	Nut (M8)	-	2	2
29	ESL12017	Nut (3/8-16)	D83000020	1	1
30	ESL12074	Washer, Flat	D85000090	1	1
31	34807S8	Washer, Lock	-	1	1
32	ESL11381	Socket Assembly	D10026380	1	1
33	54049S8	Screw (10-24x11.12)	-	3	3
34	34903S8	Washer, Lock Internal Tooth (10)	-	3	3
35	ESL13676	Flasher - Indicator Assembly	-	1	1
36	ESL13735	Fuse (10A)	-	2	2
37	ESL13736	Fuse (15A)	-	4	4

ELECTRICAL SWITCHES

Ⓢ - SERIAL NUMBER BREAK ,

↙ - INDICATES UP TO AND INCLUDING THAT SERIAL NUMBER

665 / 665 DTC



INSTRUMENT CLUSTER & TECHODRIVE

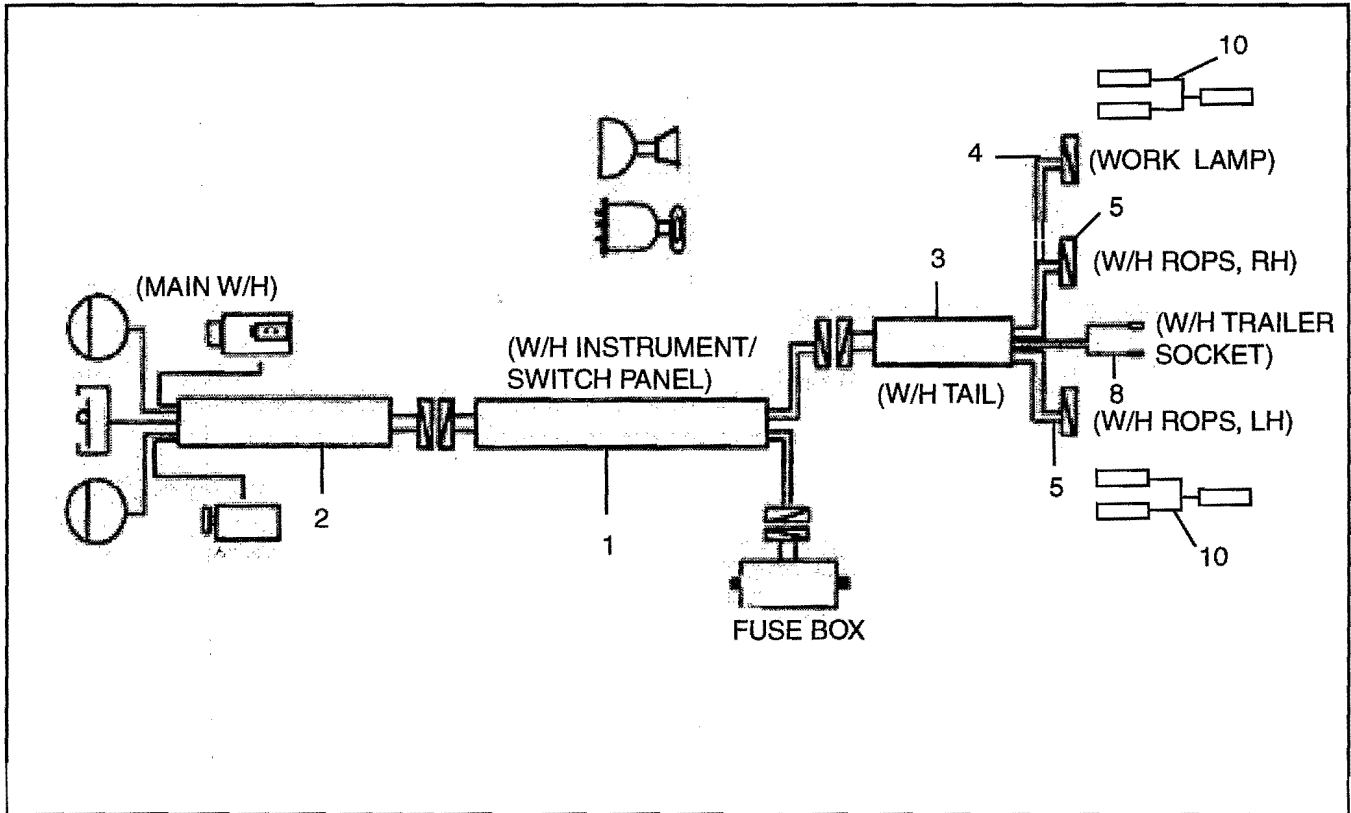
11:11

© - SERIAL NUMBER BREAK, ↙ - INDICATES UP TO AND INCLUDING THAT SERIAL NUMBER

665 / 665 DTC

ITEM No.	PART No.	DESCRIPTION	VENDOR No.	QUANTITY	
				665	665 DTC
1	ESL11889	Screw, Bezel Retaining	-	4	4
2	ESL13505	Gasket, Instrument Cluster	D10026480	1	1
3	ESL13506	Cluster Assembly, Instrument	D10043880	1	1
4	ESL11823	Nut, Bezel Retaining	-	4	4
5	ESL11400	Switch Assembly, Oil Pressure	-	1	1
6	ESL13511	Float Assembly, Fuel Tank Sender	D10026550	1	1
7	ESL13510	Gasket, Fuel Tank Sender	D10042440	1	1
8	ESL13509	Clip	-	1	1
9	ESL12559	Washer, Fuel Tank Float	D10021990	5	5
10	ESL11890	Screw, Hex Head (10-32*0.625)	D10101730	5	5
11	ESL13514	Seal, Tachodrive Adapter	-	1	1
12	ESL13515	Bearing Bush, Shaft Adapter	-	1	1
13	N605531S8	Bolt, Hex Head (M8x1.25-20)	-	1	1
14	-	Body, Tachodrive Shaft (NSS)	-	1	1
15	ESL11408	O'Ring	D93600210	1	1
16	ESL11407	Ring, Tachodrive Shaft	D10069960	1	1
17	-	Base, Tachodrive Adapter (NSS)	-	1	1
18	ESL11409	Shaft & Cable Assembly	-	1	1
19	ESL13518	Adapter Assembly, Tachodrive	D10069730	1	1
20	ESL13715	Cable Assembly, Tachometer (Up to Serial Number 304173)	-	1	1
-	ESL13716	Cable Assembly, Tachometer (From Serial Number 304174)	D10081520	1	1

665 / 665 DTC



WIRING HARNESS SYSTEM

11:13

Ⓢ - SERIAL NUMBER BREAK, ↙ - INDICATES UP TO AND INCLUDING THAT SERIAL NUMBER

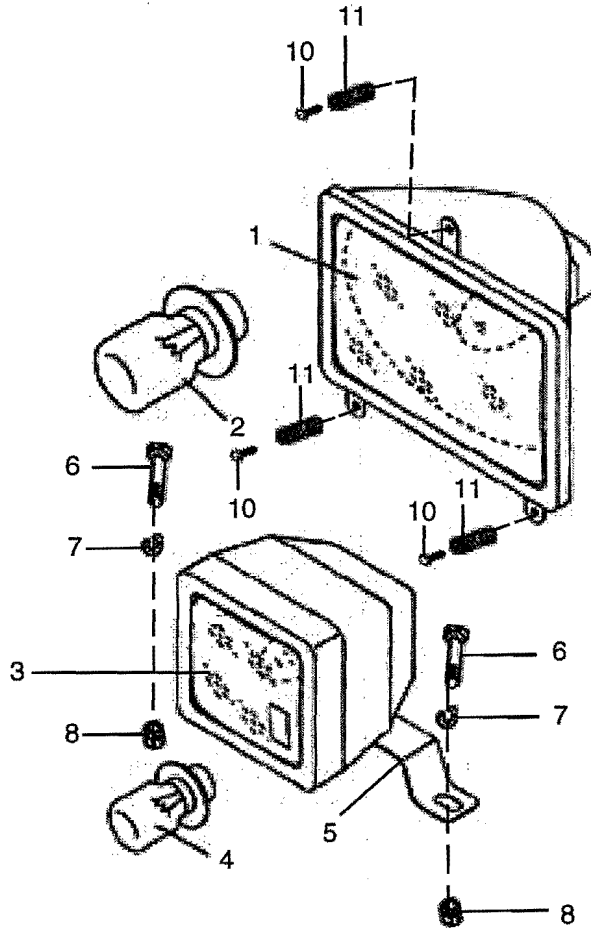
665 / 665 DTC

ITEM No.	PART No.	DESCRIPTION	VENDOR No.	QUANTITY 665 665 DTC
1	ESL12569	Wiring Harness, Instrument Panel (Up to Serial Number 304173)	D10027780	1 -
-	ESL13711	Wiring Harness, Instrument Panel (From Serial Number 304174)	D10026510	1 -
2	ESL12568	Wiring Harness, Main (Up to Serial Number 304173)	D10027790	1 -
-	ESL13705	Wiring Harness, Main (From Serial Number 304174)	D10026610	1 -
3	ESL13521	Wiring Harness, Tail (Up To Serial Number 304173 - FT70) (Up To Serial Number 303811 - FT80)	-	1 1
-	ESL13708	Wiring Harness, Tail (From Serial Number 304174 - FT70) (From Serial Number 303812 - FT80)	D10043910	1 1
4	ESL12564	Wiring Harness, Work Lamp (Up To Serial Number 304173 - FT70) (Up To Serial Number 303811 - FT80)	-	1 1
-	ESL13710	Wiring Harness, Work Lamp (From Serial Number 304174 - FT70) (From Serial Number 303812 - FT80)	D10044080	1 1
5	ESL12565	Wiring Harness, ROPS Lamp (Up To Serial Number 304173 - FT70) (Up To Serial Number 303811 - FT80)	D10026640	2 2
-	ESL13707	Wiring Harness, ROPS Lamp, RH (From Serial Number 304174 - FT70) (From Serial Number 303812 - FT80)	D10026620	1 1
-	ESL13709	Wiring Harness, ROPS Lamp, LH (From Serial Number 304174 - FT70) (From Serial Number 303812 - FT80)	D10026630	1 1
6	ESL11449	Clip, Harness to Hydraulic Pipe (NI)	-	4 4
7	ESL11450	Clip, Harness to Hydraulic Pipe (NI)	-	4 4
8	ESL13704	Wiring Harness, Trailer Socket (From Serial Number 304174 - FT70) (From Serial Number 303812 - FT80)	D10026370	1 1
9	ESL12567	Wiring Harness, Earth	D100226640	1 1
10	906323	Brake Light Diode Assembly	-	2 2

WIRING HARNESS SYSTEM

665 / 665 DTC

ITEM No	PART No.	DESCRIPTION	VENDOR No.	QUANTITY	
				665	665DTC
1	ESL12571	Head Lamp Assembly	D10028030	1	1
2	ESL13523	Bulb, Headlamp (12 volts)	D10105050	2	2
3	ESL12572	Worklamp Assembly	-	1	1
4	ESL13524	Bulb, Worklamp	D10105060	1	1
5	ESL11471	Plate, Worklamp Mounting	D10017520	1	1
6	ESL11775	Bolt (3/8-24UNF)	D10018380	2	2
7	44726S8	Washer, Flat (3/8)	-	2	2
8	ESL11791	Nut, Nyloc (3/8-24-UNF)	-	2	2
9	ESL13525	Grommet (For Fender Hole) (NI)	D10018640	1	1
10	ESL13737	Screw, Head Lamp Adjusting	-	6	6
11	ESL13738	Spring	-	6	6



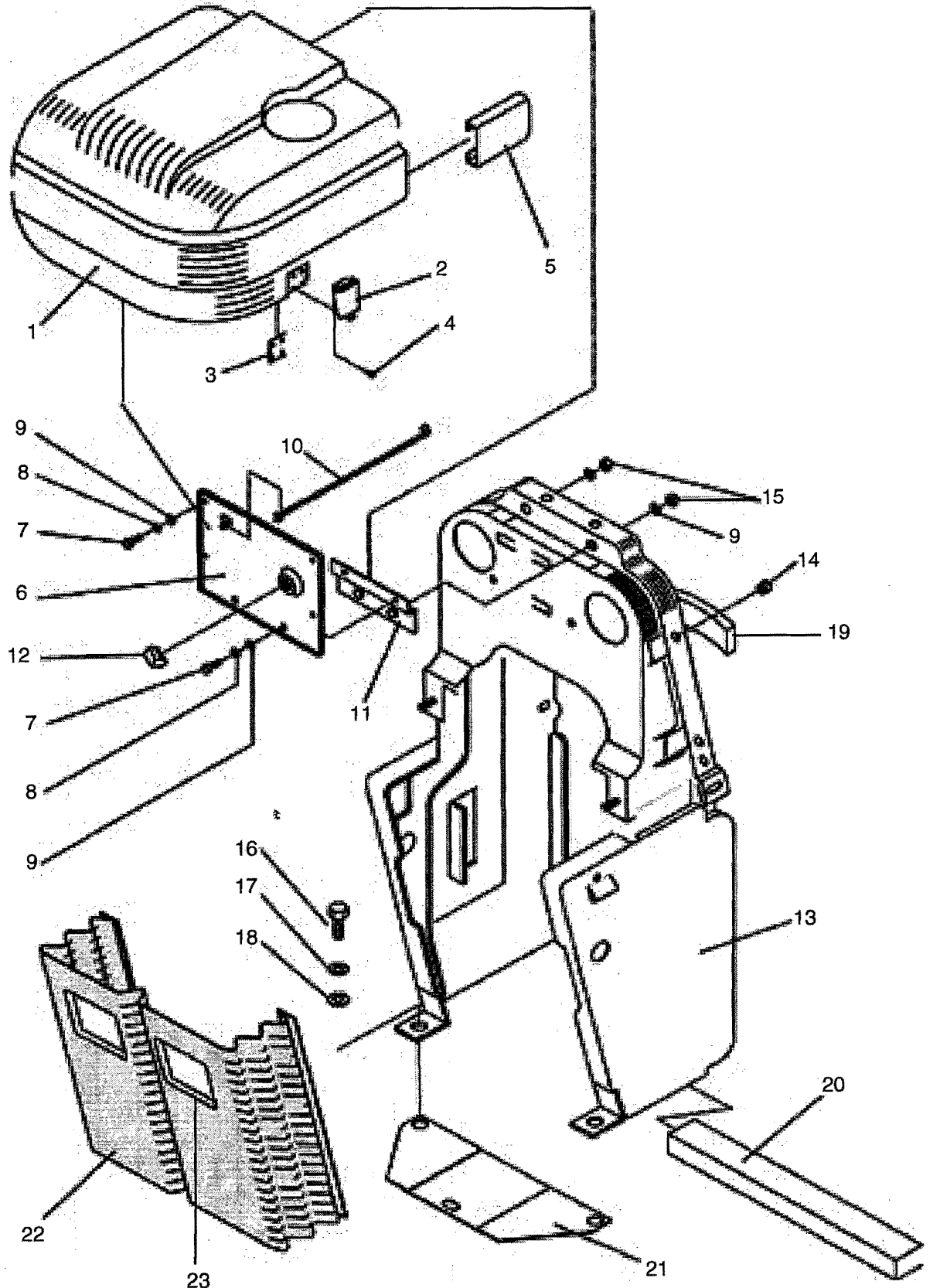
HEAD LAMP & WORK LAMP

11:15

Ⓢ - SERIAL NUMBER BREAK, ↙ - INDICATES UP TO AND INCLUDING THAT SERIAL NUMBER

SHEET METAL
&
ACCESSORIES

665 / 665 DTC



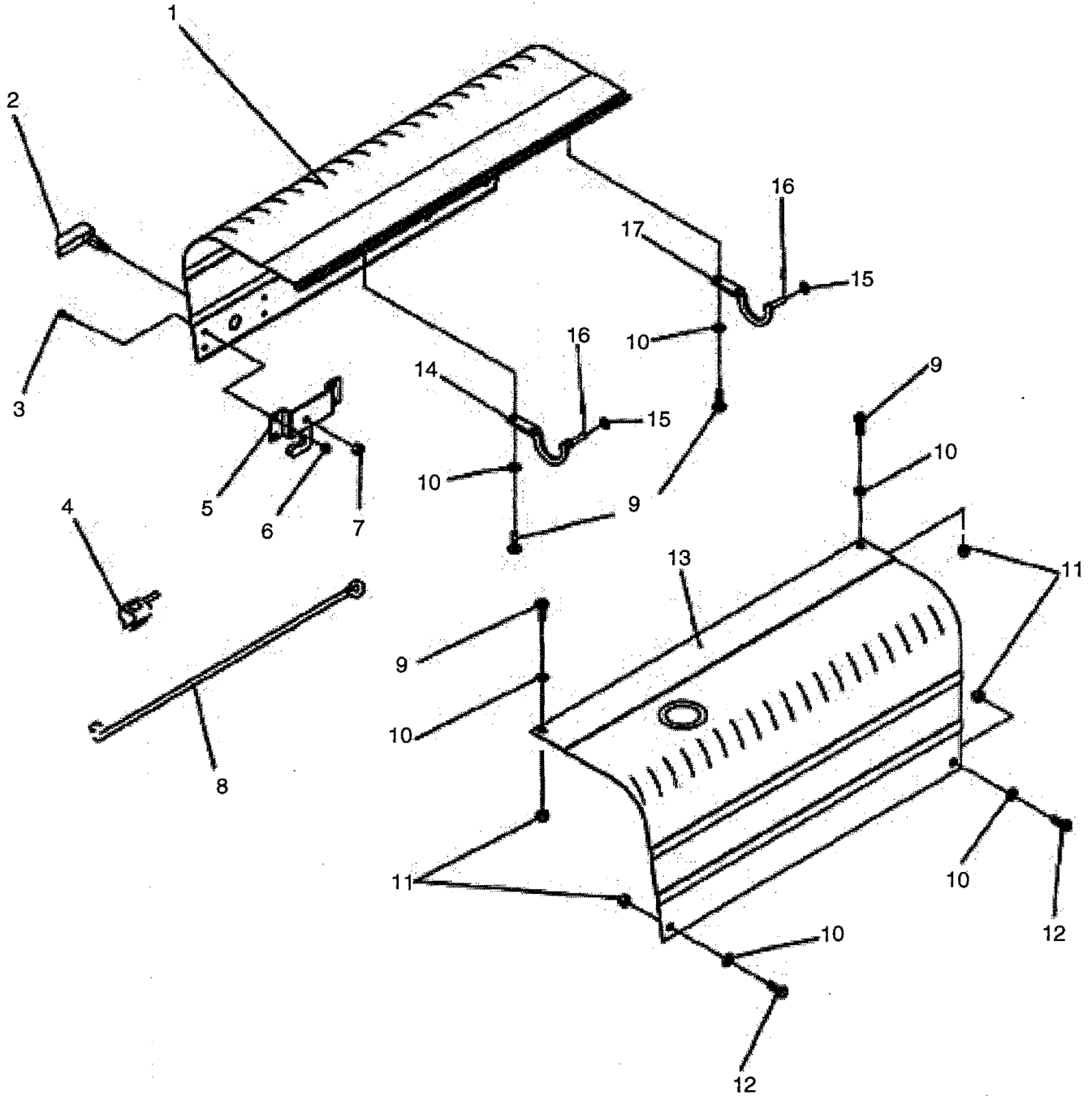
RADIATOR SHELL

665 / 665 DTC

<i>ITEM No.</i>	<i>PART No.</i>	<i>DESCRIPTION</i>	<i>VENDOR No.</i>	<i>QUANTITY</i> 665 665 DTC	
1	ESL11498	Panel Assembly, Hood Top	-	1	1
2	ESL13537	Latch Assembly, Hood	D10016980	1	1
3	ESL11500	Plate Hood Latch	D10018630	1	1
4	ESL13718	Rivet, Hood Latch	-	4	4
5	ESL11499	Bumper	-	6	6
6	ESL11502	Plate, Hood Top Front	-	1	1
7	ESL11937	Bolt, Hex Head (M6x1.00-12)	-	6	6
8	N630317S8	Washer, External Tooth	-	6	6
9	N630067S8	Washer, Flat (M6)	-	8	8
10	ESL11504	Prop, Hood Top Front Panel	-	1	1
11	ESL13719	Hinge Assembly, Hood Top Front Panel	D10018090	1	1
12	ESL11505	Bumper, Hood Top	D10026930	1	1
13	ESL11490	Shell Assembly, Radiator	-	1	1
14	ESL13538	Pad, Hood Mounting	-	14	14
15	N620012S8	Nut (M6x1.0)	-	2	2
16	304650S8	Bolt, Hex Head (3/8-16x0.75)	-	4	4
17	44728S8	Washer, Flat (3/8)	-	4	4
18	34942S8	Washer, Flat Tooth (3/8)	-	4	4
19	ESL11493	Seal Radiator	D10017770	1	1
20	ESL11494	Seal Radiator	D10026230	1	1
21	ESL11519	Baffle Assembly, Front Axle Support	D10018150	1	1
22	ESL12609	Grill Assembly, Front	D10026900	1	1
23	ESL12610	Rubber Beading, Head Lamp	D10026670	1	1

RADIATOR SHELL

665 / 665 DTC



SIDE PANEL



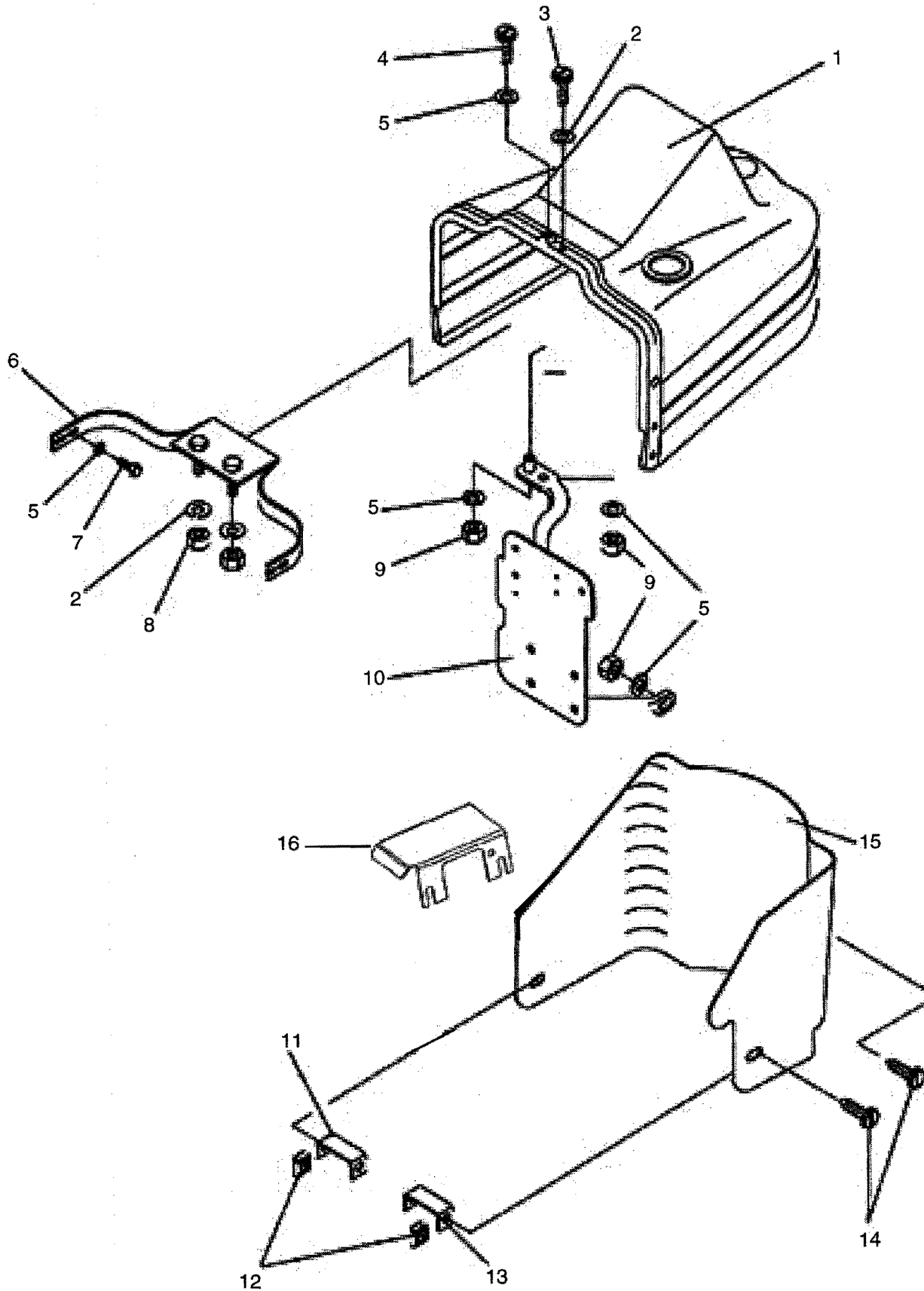
SHEET METAL & ACCESSORIES

665 / 665 DTC

ITEM No.	PART No.	DESCRIPTION	VENDOR No.	QUANTITY	
				665	665 DTC
1	ESL11524	Panel Assembly, Hood RH	D10018420	1	1
2	ESL11529	Handle Assembly, Hood RH	D10018250	2	2
3	ESL11896	Screw, Pan Head (M4x10)	D10016990	8	8
4	ESL11521	Clip, Hood Support Rod	-	14	14
5	ESL11528	Lock Assembly, Hood RH	D10018560	2	2
6	ESL11827	Nut, Nyloc (M4)	D10017000	8	8
7	55670S8	Nut, Hex Lock (1/4-28)	-	2	2
8	ESL11534	Support Rod Panel	D10018440	1	1
9	50528S8	Screw, Pan Head (1/4-28x0.625)	-	4	4
10	44719S8	Washer, Flat (1/4)	-	6	6
11	ESL11828	Nut, Hood Panel, LH	D10017580	4	4
12	ESL13724	Screw	D10039900	2	2
13	ESL11532	Panel Assembly, Hood LH	D10018480	1	1
14	ESL11526	Hinge Rod	-	1	1
15	ESL11729	Washer, Hinge	D10018260	2	2
16	ESL12679	Pin, Cotter	D10013450	2	2
17	ESL11525	Rod Assembly, Hinge	-	1	1

SIDE PANEL

665 / 665 DTC



REAR HOOD



SHEET METAL & ACCESSORIES

665 / 665 DTC

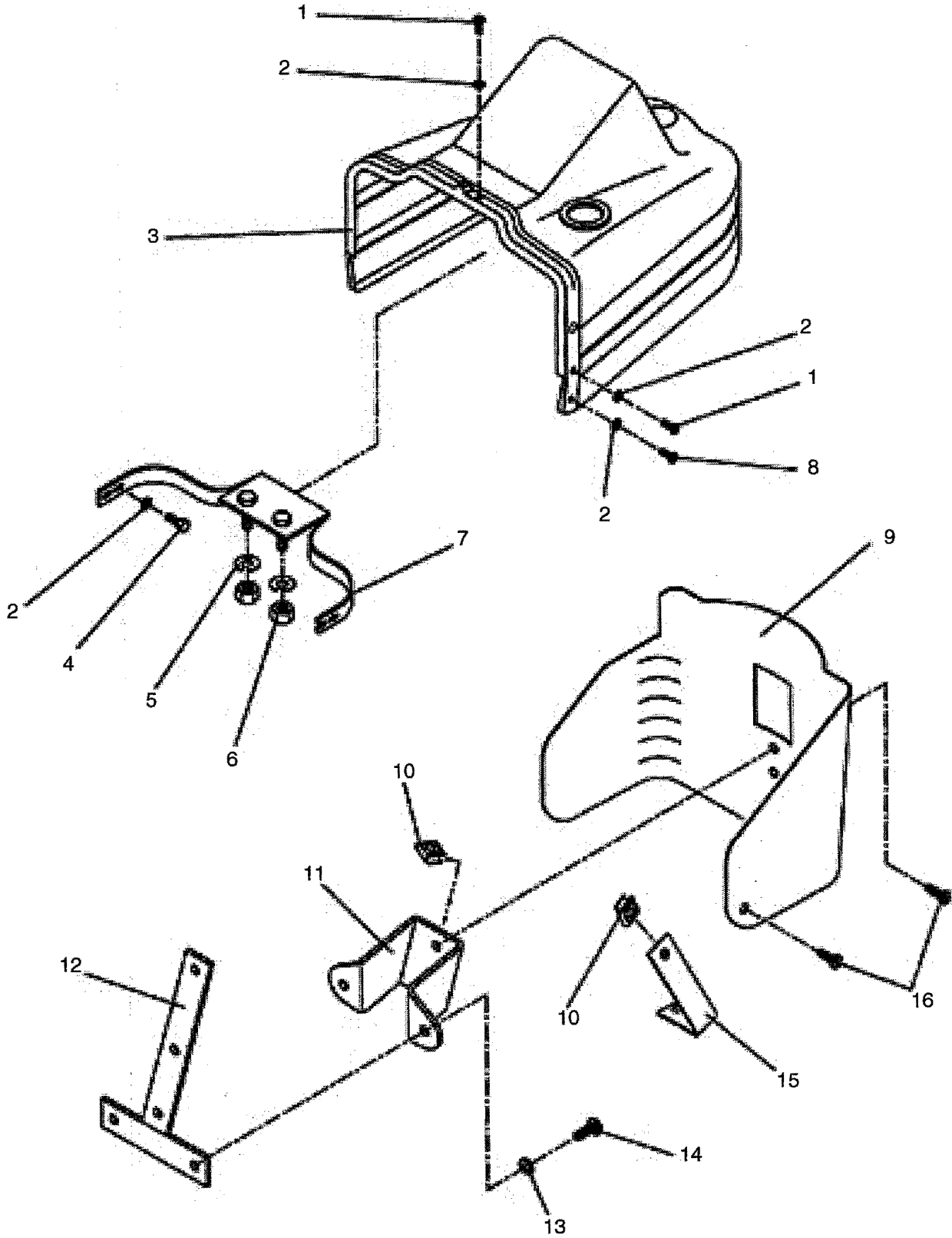
<i>ITEM No.</i>	<i>PART No.</i>	<i>DESCRIPTION</i>	<i>VENDOR No.</i>	<i>QUANTITY</i> 665 665 DTC	
1	ESL13546	Panel Assembly, Hood Rear	D10045870	1	1
2	44722S8	Washer, Flat (5/16)	-	6	6
3	304665S8	Bolt, Hex Head (5/16-24x0.88)	-	2	2
4	ESL13724	Screw	D10042640	1	1
5	44719S8	Washer, Flat (1/4)	-	3	3
6	ESL11522	Bracket & Support Assembly	-	1	1
7	304632S8	Bolt, Hex Head (1/4-20x0.62)	-	4	4
8	33797S8	Nut, Hex (5/16-18)	-	2	2
9	ESL11828	Nut, Hood LH Panel	-	2	2
10	ESL12582	Support Assembly Hood Rear	-	1	1
11	ESL13541	Bracket, Front RH	D10042230	1	1
12	ESL11824	Nut, U-Type	-	6	6
13	ESL13542	Bracket, Front LH	D10042240	1	1
14	ESL11891	Screw	-	6	6
15	ESL13727	Cover Steering	D10042640	1	1
16	ESL14195	Rain Shield, Fuse Box	-	1	1

REAR HOOD

Ⓢ - SERIAL NUMBER BREAK ,

↙ - INDICATES UP TO AND INCLUDING THAT SERIAL NUMBER

665 / 665 DTC



REAR HOOD



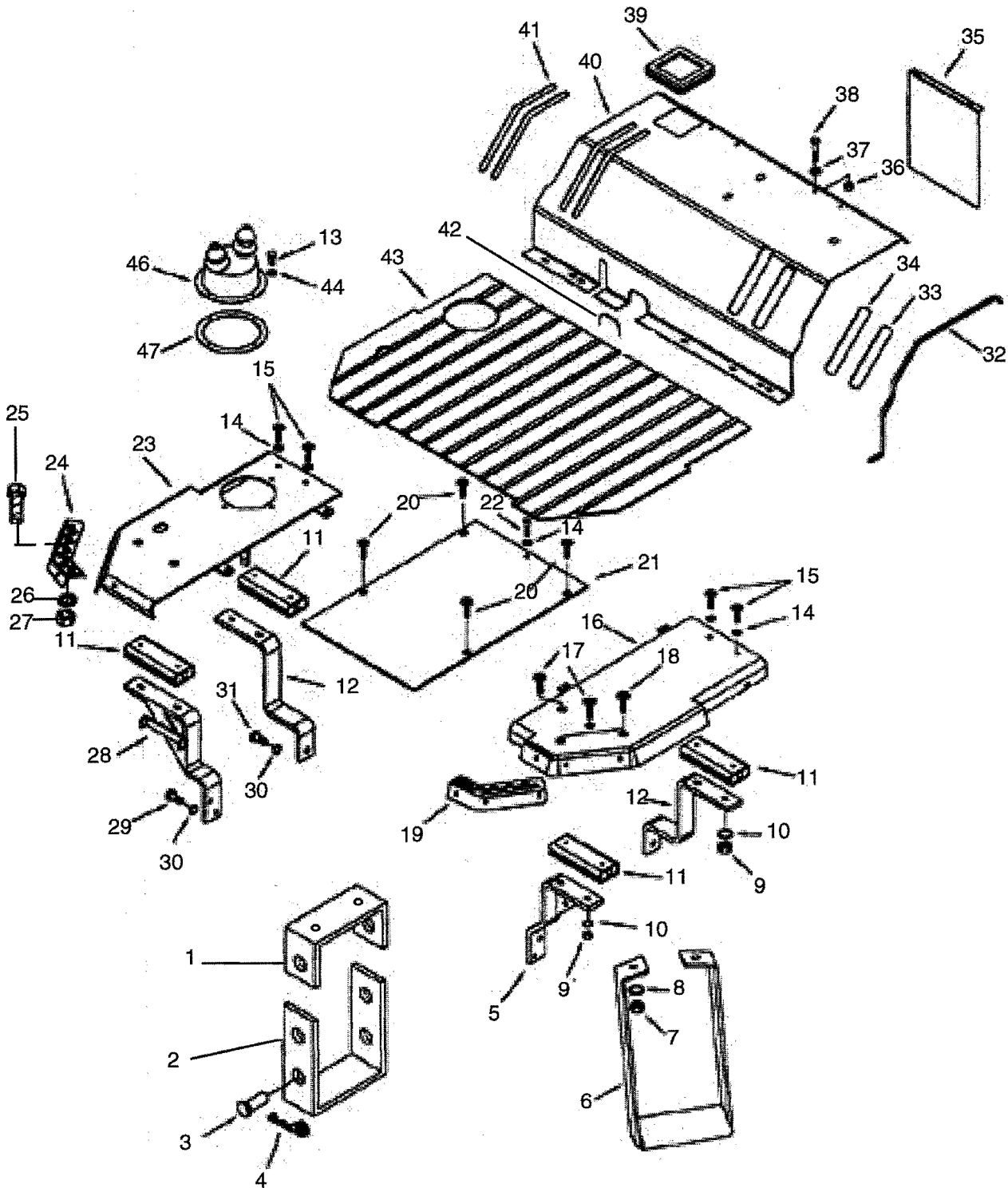
SHEET METAL & ACCESSORIES

665 / 665 DTC

ITEM No.	PART No.	DESCRIPTION	VENDOR No.	QUANTITY	
				665 665 DTC	
1	38207S8	Screw, Pan Head (1/4-28x0.5)	-	3	3
2	44719S8	Washer, Flat (1/4)	D10045870	4	4
3	ESL13536	Panel Assembly, Hood Rear	-	1	1
4	304632S8	Bolt, Hex Head (1/4-20x0.62)	-	4	4
5	44722S8	Washer, Flat (5/16)	-	4	4
6	33797S8	Nut, Hex (5/16-18)	-	2	2
7	ESL11523	Support Assembly, Hood Rear	-	1	1
8	ESL13725	Screw, Pan Head (1/4-28x0.75)	D10043580	1	1
9	ESL13540	Cover, Steering	D10046820	1	1
10	ESL11824	Nut, U-Type	-	3	3
11	ESL13545	Bracket, Rear	D10042190	1	1
12	ESL13502	Bracket Fuse Box Mounting	-	1	1
13	34806S8	Washer, Lock (5/16)	-	2	2
14	304635S8	Bolt, Hex Head (5/16-24x0.625)	-	2	2
15	ESL13543	Bracket, Front LH	D10046650	1	1
16	ESL11891	Screw 3		3	3

REAR HOOD

665 / 665 DTC



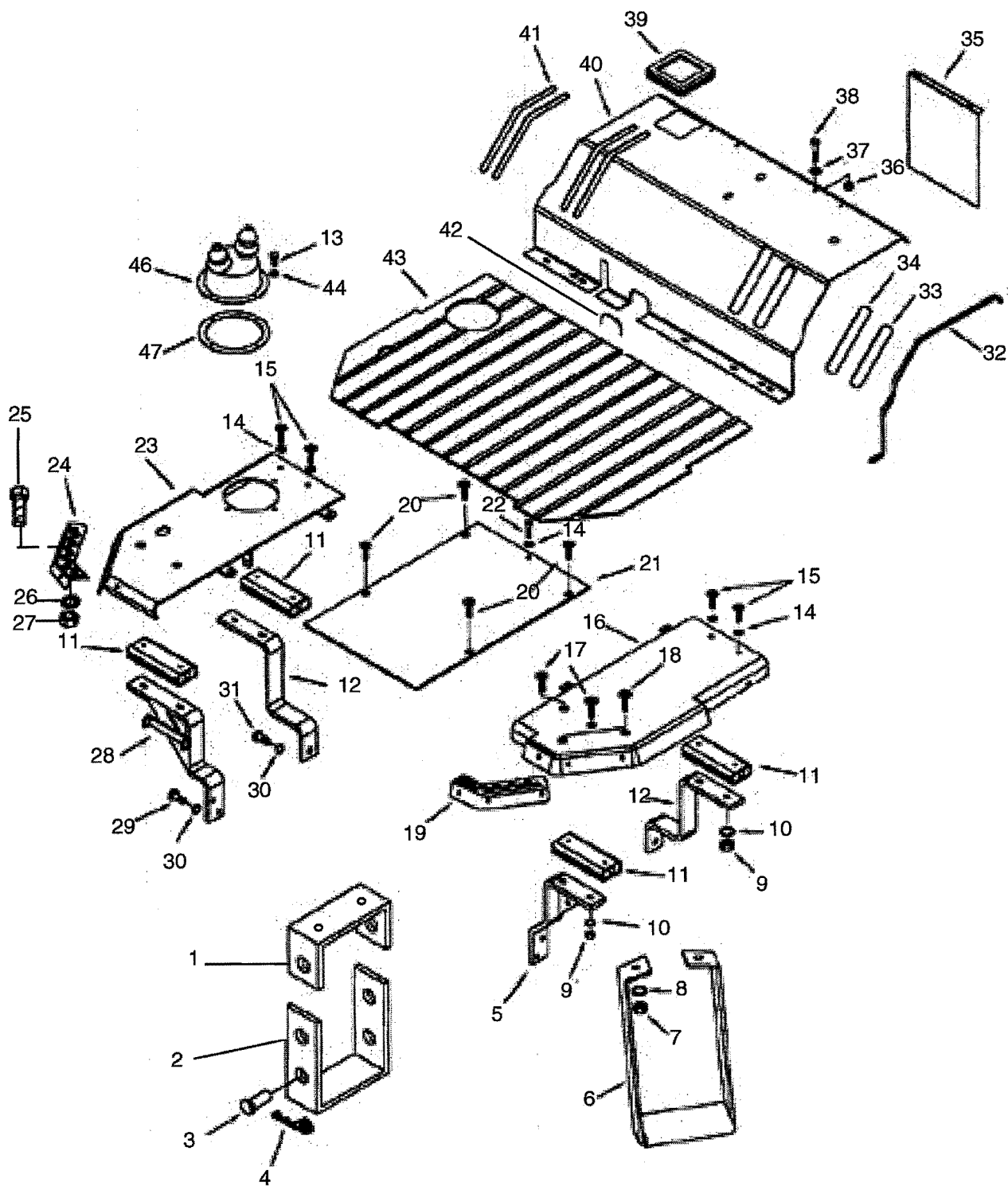
RUNNING BOARD

665 / 665 DTC

ITEM No.	PART No.	DESCRIPTION	VENDOR No.	QUANTITY	
				665	665 DTC
1	ESL13573	Bracket	D10046710	1	1
2	ESL13571	Step, Platform	D10046720	1	1
3	ESL13574	Pin, Clevis	D10046690	2	2
4	ESL12590	Clip, Pin	-	2	2
5	ESL13556	Bracket, Platform Mounting Front, LH	-	-	-
-	ESL13557	Bracket, Platform Mounting Front, LH	-	1	1
6	ESL13570	Step, Platform	D10039880	-	-
7	N620042S8	Nut (M10)	-	2	2
8	N630174S8	Washer, Lock (M10)	-	2	2
9	N630013S8	Nut (M8)	-	8	8
10	N630068S8	Washer, Lock (M8)	-	8	8
11	ESL13568	Pad Isolator	D10042270	-	-
12	ESL13559	Bracket, Platform Mounting Rear	D10039850	2	2
13	ESL13593	Bracket Cable	-	1	1
14	ESL12829	Washer, Flat (M8)	-	5	5
15	N600213S8	Bolt, Hex Head (M8x1.25x40)	-	4	4
16	ESL13554	Platform Assembly, LH	-	-	-
-	ESL13555	Platform Assembly, LH	D10046070	1	1
17	ESL13563	C.S. Screw (M8x1.25x40)	-	4	4
18	ESL13572	C.S. Screw (M10x1.5x25)	-	2	2
19	ESL13564	Strip, Platform LH	-	-	-
-	ESL13565	Strip, Platform LH	D10046390	1	1
20	ESL13560	C.S. Screw (M8x1.25x20)	-	4	4
21	ESL13561	Plate, Center Platform	D10039840	-	-
-	ESL13562	Plate, Centre Platform	D10046080	1	1
22	N605531S8	Bolt, Hex Head (M8x1.25x20)	-	1	1
23	ESL13550	Platform Assembly, RH	-	-	-
-	ESL13551	Platform Assembly, RH	-	1	1
24	ESL13566	Strip, Platform RH	D10043210	-	-
-	ESL13567	Strip, Platform RH	D10046400	1	1
25	ESL11887	Screw	-	6	6
26	ESL11724	Washer	-	6	6
27	ESL12552	Nut	-	6	6
28	ESL13552	Bracket, Platform Mounting Front RH	-	-	-
-	ESL13553	Bracket, Platform Mounting Front RH	-	1	1
29	304722S8	Bolt, Hex (3/8-16x1.25)	-	-	-
-	N605561S8	Bolt, Hex (M12x1.75x40)	-	2	2
-	N605559S8	Bolt, hex (M12x1.75x30)	-	2	2
30	34807S36	Washer, Lock (3/8)	-	-	-

RUNNING BOARD
Ⓢ - SERIAL NUMBER BREAK ,
↙ - INDICATES UP TO AND INCLUDING THAT SERIAL NUMBER
12:10

665 / 665 DTC



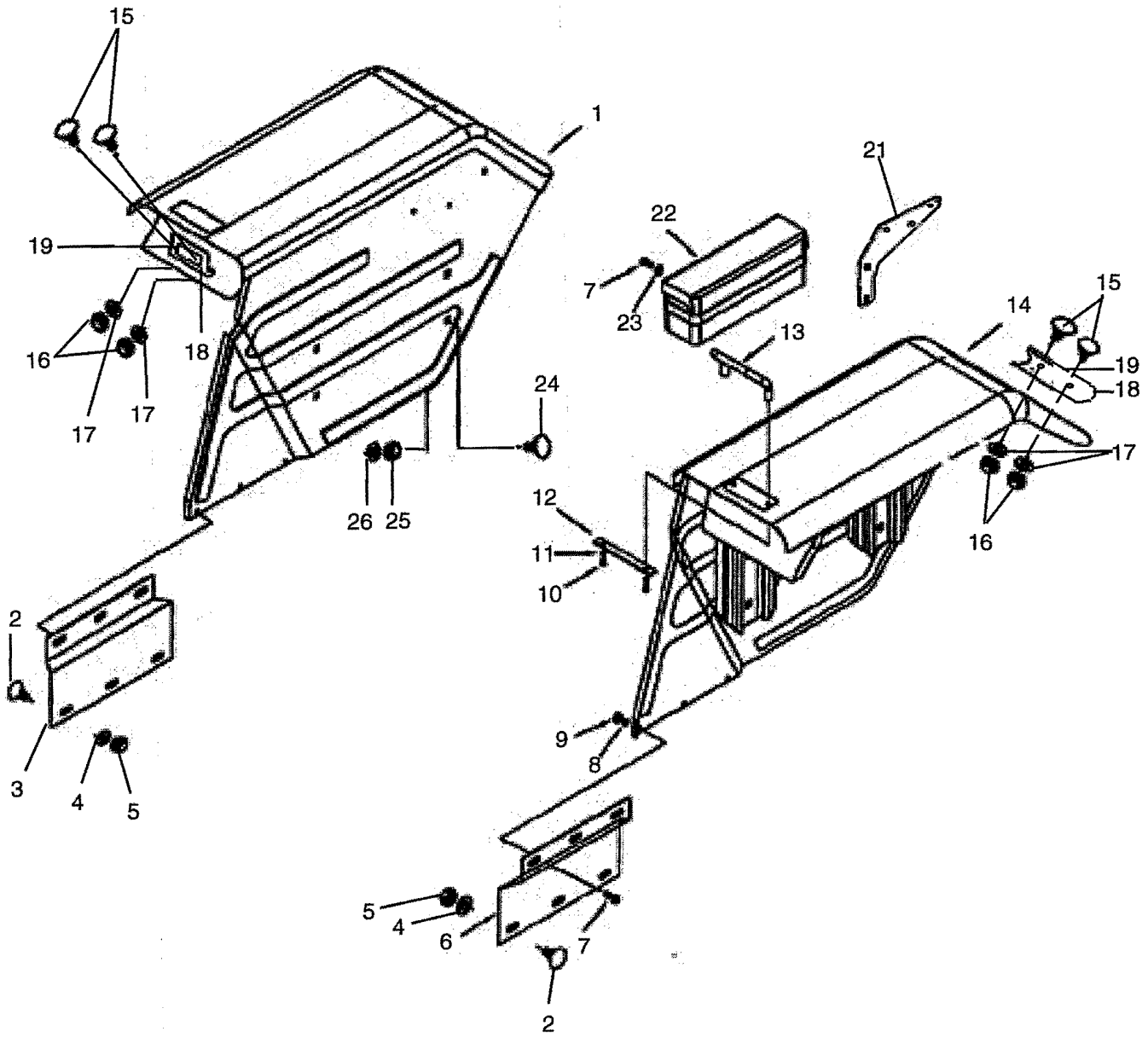
RUNNING BOARD

665 / 665 DTC

ITEM No.	PART No.	DESCRIPTION	VENDOR No.	QUANTITY	
				665	665 DTC
30	ESL12018	Washer, Lock	D86000060	6	6
31	ESL12653	Bolt (12x1.75x25)	-	2	2
32	ESL13577	Beading Console, Side	D10042380	2	2
33	ESL13589	Beading, Parking Brake	-	1	1
34	ESL13588	Beading, PTO Clutch Lever	-	1	1
35	ESL13576	Cover, Rear Console	D10042850	1	1
36	33796S8	Nut	-	2	2
37	44719S8	Washer	-	2	2
38	ESL12014	Bolt (1/4-28)	D81000390	2	2
39	ESL13580	Beading, Spool Control Lever	-	1	1
40	ESL13575	Console Rear	-	1	1
41	ESL13579	Beading, Hydraulic Control Lever	D10042390	2	2
42	ESL13590	Beading, Flow Control Valve	-	1	1
43	ESL13591	Foot Mat, Platform	-	-	-
-	ESL13592	Foot Mat, Platform	D10045980	1	1
44	N630067S8	Washer, Flat (M6)	-	4	4
45	ESL13595	Ring Transmission Cover Boot	D10042400	1	1
46	ESL13596	Boot Transmission Cover	D10042860	1	1

RUNNING BOARD

665 / 665 DTC



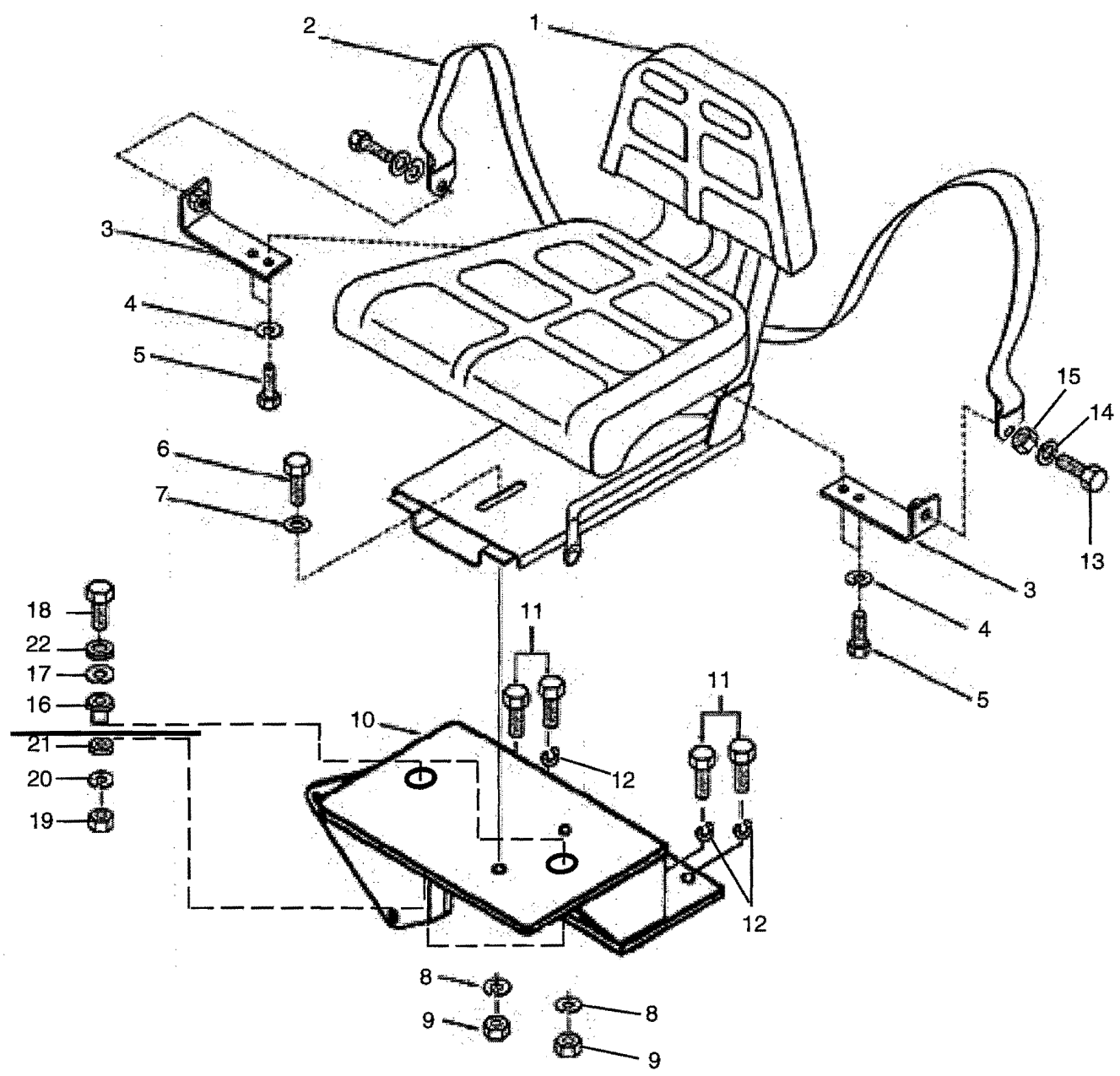
FENDERS

665 / 665 DTC

ITEM No.	PART No.	DESCRIPTION	VENDOR No.	QUANTITY	
				665	665 DTC
1	ESL13596	Body Assembly, Fender Rear, RH	D10077750	1	1
2	ESL12668	Bolt (M8-1.25x12)	-	4	4
3	ESL13597	Extension, Fender Rear, RH	D10047120	1	1
4	44726S8	Washer, Flat	-	4	4
5	N620013S8	Nut (M8)	-	4	4
6	ESL13599	Extension, Fender Rear, LH	D10047130	1	1
7	ESL12014	Bolt, Hex Head (1/4-28x0.62)	-	9	9
8	44719S8	Washer, Flat (1/4)	-	6	6
9	33796S8	Nut, Flat (1/4-28)	-	6	6
10	304682S8	Bolt, Hex Head (5/16-18x1.00)	-	4	4
11	ESL11975	Washer, Lock (5/16)	-	4	4
12	ESL13602	Plate	-	2	2
13	ESL11555	Hold Down	-	2	2
14	ESL13598	Body Assembly, Fender Rear, LH	-	1	1
15	304647S8	Bolt (1/4-28x3/4)	-	8	8
16	33796S8	Nut, Hex (1/4-28)	-	8	8
17	34805S8	Washer, Lock (1/4)	-	8	8
18	905976	Rear Reflector Bracket	-	4	4
19	906010	Amber Reflector Decal	-	4	4
20	906011	Plug, Hole (3/4) (NI) For Fender Holes	-	4	4
21	ESL13270	Toolbox Mounting Bracket	-	1	1
22	ESL13600	Box Assembly, Tool	-	1	1
23	34941S8	Washer, External Tooth (5/16)	-	3	3
24	58851S8	Bolt, Carriage (1/2-13x1.5)	-	8	8
25	44734S8	Washer, Flat (1/2)	-	8	8
26	33845S8	Nut, Hex (1/2-13)	-	8	8

FENDERS

665 / 665 DTC



DELUXE SEAT ASSEMBLY



SHEET METAL & ACCESSORIES

665 / 665 DTC

<i>ITEM No.</i>	<i>PART No.</i>	<i>DESCRIPTION</i>	<i>VENDOR No.</i>	<i>QUANTITY</i>	
				665 665 DTC	
1	904201	Seat Assembly, Driver	-	1	1
2	ESL11584	Belt, Driver Seat	D10081530	1	1
3	-	Bracket	-	1	1
4	-	Washer	-	1	1
5	-	Bolt	-	1	1
6	304724S8	Bolt, Hex Head (7/16-14x1.25)	-	2	2
7	ESL12074	Washer, Flat (7/16)	D85000090	2	2
8	44722S8	Washer, Lock (7/16)	-	2	2
9	34670S8	Nut, Hex (7/16-14)	-	2	2
10	ESL13603	Support Seat Mounting	-	-	-
-	ESL13604	Support Seat Mounting	-	1	1
11	N601805S8	Bolt (M14x2x25)	-	-	-
12	N630187S8	Washer, Lock (M14)	-	4	4
13	ESL12841	Bolt, Hex (M8x1.25x25)	-	-	-
14	N630068S8	Washer (M8)	-	-	-
15	N620013S8	Nut (M8)	-	-	-
16	905996	Rubber Mount	-	-	-
17	905947	Washer, Rubber Mount, Thrust	-	-	-
18	N600417S8	Bolt	-	1	1
19	N620603S8	Nut	-	1	1
20	34809S8	Washer, Lock	-	1	1
21	905998	Mount Washer, Small	-	1	1
22	788443	Spacer (1.50-0.750-0.500)	-	1	1

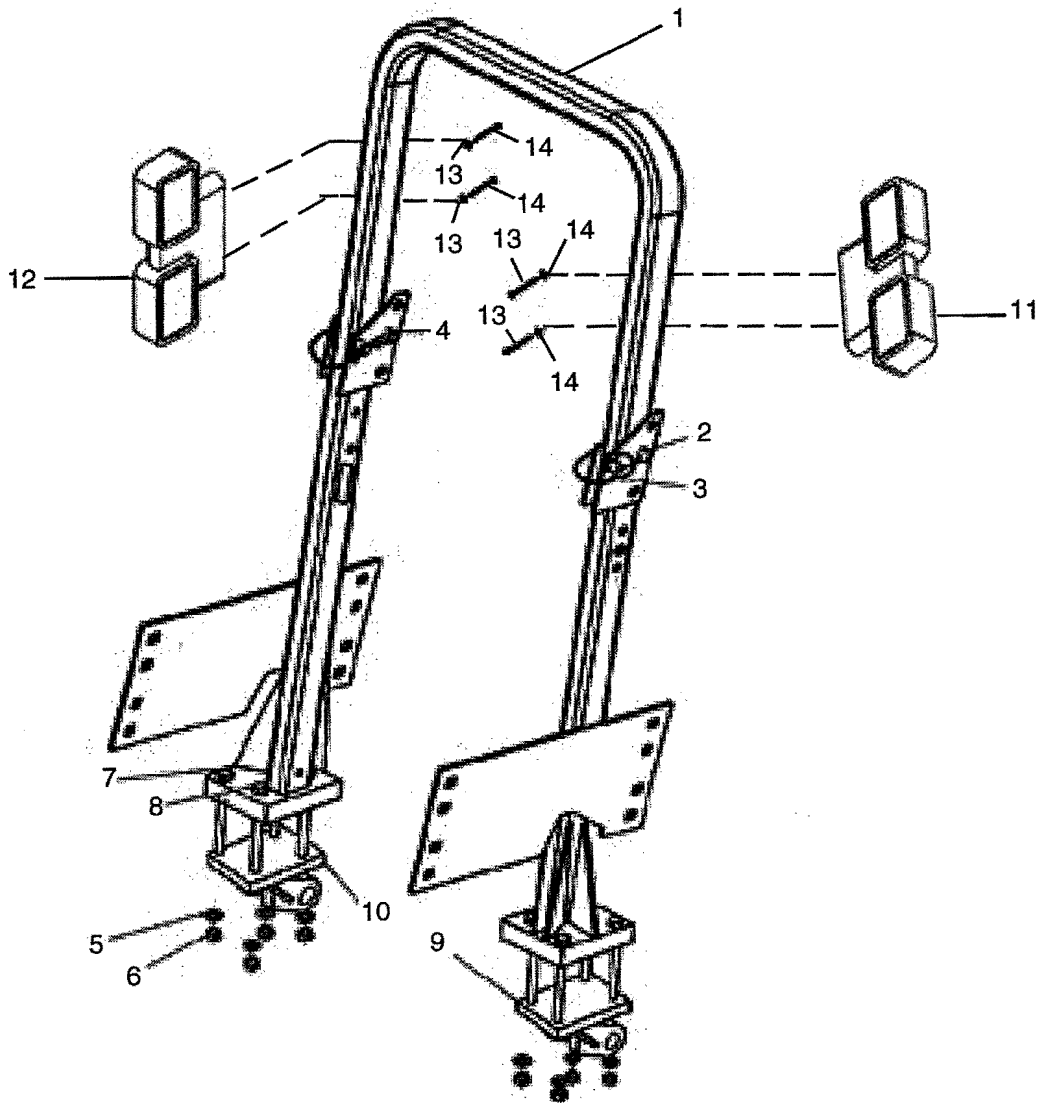
DELUXE SEAT ASSEMBLY

Ⓢ - SERIAL NUMBER BREAK ,

↙ - INDICATES UP TO AND INCLUDING THAT SERIAL NUMBER

665 / 665 DTC

ITEM No	PART No.	DESCRIPTION	VENDOR No.	QUANTITY	
				665	665DTC
1	905718	Roll Bar	-	1	1
2	304940S8	Bolt, Hex Head (1/2-13x3 1/2) GR5	-	2	2
3	902480	Pin, Clevis Assembly	-	2	2
4	34979S8	Nut, Prev. Torque (1/2-13) GR5	-	2	2
5	34811S8	Washer, Lock (5/8)	-	8	8
6	33849S8	Nut, Hex (1/4-20) GR5	-	8	8
7	301342S8	Bolt, Hex Head (1/2-13x9) GR5	-	4	4
8	301333S8	Bolt, Hex Head (1/2-13x8 1/2) GR5	-	4	4
9	905732	Link, LH W/A	-	1	1
10	905733	Link, RH W/A	-	1	1
11	905782	Lolipop Signal Light, RH	-	1	1
12	905781	Lolipop Signal Light, LH	-	1	1
13	N600218S8	Bolt (8mmx1.25x65mm)	-	4	4
14	N630173S8	Washer, Lock (8MM)	-	4	4



ROPS

DECALS




FARMTRAC DECALS

665 / 665 DTC

ITEM No.	PART No.	DESCRIPTION	VENDOR No.	QUANTITY	
				665	665 DTC
1	ESL15610	Decal, M1 Front 665	-	-	-
-	ESL15607	Decal, M1 Front 665 DTC	-	1	-
2	ESL11611	Decal, Model Identification Center, RH	D10019430	1	1
-	ESL14543	Decal, Model Identification Center, RH	D10035270	-	-
3	ESL11610	Decal, Model Identification Center, LH	D10019440	1	1
-	ESL14544	Decal, Model Identification, Center, LH	D10035280	-	-
4	ESL11613	Decal, Model Identification, Rear, LH	D10019120	1	1
5	ESL11614	Decal, Model Identification, Rear, RH	D10019130	1	1
6	ESL11616	Decal, Transmission Shift Pattern	D10019680	1	1
-	ESL14545	Decal, Transmission Shift Pattern	D10035520	-	-
7	ESL11622	Decal, Filter Cleanliness	D10017640	2	2
8	ESL11618	Decal, Hydraulic Pump & Lift	D10018600	1	1
9	ESL13697	Decal, Caution	D10026810	1	1
10	ESL11628	Decal, PTO Control	D10019220	1	1
11	ESL14546	Decal, PTO Guard (NI)	D10000000	1	1
12	ESL13618	Decal, Warning Sign	D10018580	1	1
13	ESL11621	Decal, Tractor Maintenance Service	D10019110	1	1

DECALS

665 / 665 DTC

OPERATOR  **WARNING**

OPERATOR WHO USE THIS SYMBOL IT MEANS: WARNING OF HAZARD TO YOUR SAFETY BUT BE INVOLVED THE INFORMATION BELOW EXPLAINS THESE AND OTHER ITEMS REQUIRING YOUR ATTENTION. IF IN DOUBT CONSULT OPERATOR'S / OWNER'S MANUAL.


READ THE IMPORTANT INFORMATION BELOW BEFORE OPERATING THE TRACTOR. IF IN DOUBT CONSULT OPERATOR'S / OWNER'S MANUAL.

- USE CLIMBER, STEER AND SHIFTER FEET PROPERLY AND ALWAYS WEAR SEAT BELT.
- OPERATE THE TRACTOR WITH CARE AND ATTENTION. ALWAYS WEAR SEAT BELT AND FASTEN SEAT BELT BEFORE STARTING THE TRACTOR.
- KEEP SAFETY DISTANCE IN FRONT OF YOUR TRACTOR.
- NEVER OPERATE THE TRACTOR ON SLOPED TERRAIN.
- NEVER OPERATE THE TRACTOR ON SLOPED TERRAIN WITH LOADS ON THE FRONT OR REAR.
- NEVER OPERATE THE TRACTOR ON SLOPED TERRAIN WITH LOADS ON THE FRONT OR REAR.
- NEVER OPERATE THE TRACTOR ON SLOPED TERRAIN WITH LOADS ON THE FRONT OR REAR.

WARNING

14

WARNING



FASTEN SEAT BELT

FAILURE TO FASTEN SEAT BELT COULD BE HAZARDOUS TO YOUR SAFETY.

15

18

16

WARNING

THE DIFFERENTIAL LOCK IS PROVIDED FOR USE ON SLIPPERY SURFACES. IT MUST NOT BE USED ON THE ROAD.

17

CAUTION

AFTER FIRST HOUR OF OPERATION, FRONT AND REAR WHEEL LUG NUTS AND BOLTS SHOULD BE CHECKED FOR PROPER TORQUE - CHECK AFTER CHECK OIL.

23

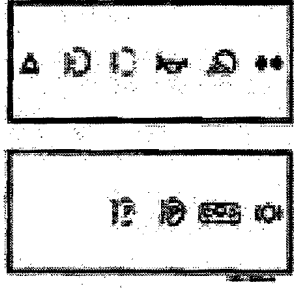
WARNING

AVOID POSSIBLE INJURY OR DEATH FROM A MACHINE RUNAWAY

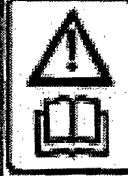

1. Do not start engine by shorting across starter terminals. Machine will start in gear and move if normal starting circuitry is bypassed.
2. Shut engine only from operators seat with transmission in neutral or park. NEVER start engine while standing on the ground.

21

FUSE LAYOUT



24

25

WARRANTY POLICY

THE LIMITED WARRANTY OF THE MANUFACTURER FOR HIS PRODUCTS DOES NOT INCLUDE:

1. ANY WARRANTIES OR MERCHANTABILITY OF OR FITNESS FOR A PARTICULAR USE
2. ANY IMPLIED WARRANTIES OF ANY KIND
3. LIABILITY FOR CONSEQUENTIAL DAMAGES SUCH AS THOSE RESULTING FROM LOSS OF USE OF THE PRODUCT OR LOSS OF PROFITS OR EXPENSE TO OBTAIN
4. LIABILITY OF ANY KIND WHERE THE PRODUCT HAS BEEN ALTERED, REPAIRED, MISUSED, OR OTHERWISE IMPROPERLY MAINTAINED OR OPERATED IN ANY MANNER
5. LIABILITY OF USING COMPONENTS, INCLUDING BATTERIES AND BATTERIES, OTHER THAN THOSE RECOMMENDED BY THE MANUFACTURER OR THE OPERATING IN THE ORIGINAL MANNER.

SEE CHARGES MANUAL FOR FULL TEXT ON MANUFACTURER'S LIMITED WARRANTY.

ESCORTS LIMITED, FARIDABAD
(FARMTRAC DIVISION)

NAME	POST	PLANT OR SERIAL NUMBER
Product Serial No.		Plant Serial No.
Model and Parts		Product Part Description

665 / 665 DTC

ITEM No.	PART No.	DESCRIPTION	VENDOR No.	QUANTITY	
				665	665 DTC
14	ESL11637	Decal, Warning Instructions	D10019210	1	1
15	ESL13696	Decal, Seat Belt	D10026800	1	1
16	ESL13695	Decal, Tractor Warning	D10026790	1	1
17	ESL13694	Decal, Torque	D10026780	1	1
18	ESL13693	Decal, Starting Warning	D10026770	1	1
19	ESL13619	Heat Reflective Tape	D10019190	1	1
20	ESL11617	Decal, Operator Instruction (NI)	D10017890	1	1
21	ESL11623	Decal, Fuse Box	D10039920	1	1
22	ESL11640	Decal, Thermostat (NI)	D10026850	1	1
23	ESL11639	Decal, Battery Warning	D10018620	1	1
24	ESL11632	Decal, Warranty Disclaimer	D10026840	1	1
25	ESL11633	Plate, Vehicle Identification	D10026860	1	1
26	ESL14547	Decal, EPA Engine (NI)	D10035530	-	-
-	ESL14548	Decal, EPA Engine (NI)	-	-	-
-	ESL14549	Decal, EPA Engine (NI)	D10077700	2	2

DECALS

665 / 665 DTC

ITEM NO	PART NO.	DESCRIPTION	QUANTITY
1	904540	Decal Sheet	1 1

WARRANTY DISCLAIMER

THE LIMITED WARRANTY OF THE MANUFACTURER FOR ITS PRODUCTS DOES NOT INCLUDE:

1. Any alterations or modifications.
2. Any use outside of the intended use.
3. Any use for commercial purposes.
4. Any use for which the manufacturer does not intend the product to be used.
5. Any use for which the manufacturer does not intend the product to be used.
6. Any use for which the manufacturer does not intend the product to be used.
7. Any use for which the manufacturer does not intend the product to be used.
8. Any use for which the manufacturer does not intend the product to be used.

WE EXPRESSLY DISCLAIM THE FULL SCOPE OF ANY IMPLIED WARRANTIES.

CAUTION

DO NOT OPERATE

Only you have read the owner's manual. If you did not read a copy, one may be obtained by contacting:

Farmtrac North America, LLC
 P.O. Box 1170, Bohemia, NY 11716
 (800) 451-7878 Fax: (609) 426-4247
 www.farmtrac.com

DANGER

CRUSHING HAZARD

TO PREVENT SERIOUS INJURY OR DEATH DO NOT ATTEMPT TO REPAIR OR MAINTAIN THE TRACTOR EQUIPPED WITH THIS PTO, AXLE OR CHAIN UNLESS THE ENGINE IS SO PROPERLY MOUNTED TO THE TRACTOR THAT IT CANNOT BE LIFTED UP OVER THE HOUSING LIFT.

WARNING

TO PREVENT SERIOUS INJURY OR DEATH:

1. NEVER OPERATE A TRACTOR WITH A LIFTED PTO OR CHAIN.

2. ALWAYS WEAR YOUR SEATBELT.

3. DO NOT OPERATE THE TRACTOR ON A SLOPE.

4. AVOID SHARP HIGH SPEED TURNS.

CAUTION

DO NOT OPERATE ON HARD SURFACES IF TRACTOR IS EQUIPPED WITH AND ENGAGED BY 4-WHEEL DRIVE.

WARNING

TO PREVENT SERIOUS INJURY OR DEATH:

1. REAR OPERATE A TRACTOR WITH A LIFTED PTO OR CHAIN.

2. ALWAYS WEAR YOUR SEATBELT.

3. DO NOT OPERATE THE TRACTOR ON A SLOPE.

4. AVOID SHARP HIGH SPEED TURNS.

CAUTION

Keep all objects clear of fan.

WARNING

TO PREVENT SERIOUS INJURY OR DEATH:

1. REAR OPERATE A TRACTOR WITH A LIFTED PTO OR CHAIN.

2. ALWAYS WEAR YOUR SEATBELT.

3. DO NOT OPERATE THE TRACTOR ON A SLOPE.

4. AVOID SHARP HIGH SPEED TURNS.

CAUTION

Keep all objects clear of fan.

WARNING

TO PREVENT SERIOUS INJURY OR DEATH:

1. REAR OPERATE A TRACTOR WITH A LIFTED PTO OR CHAIN.

2. ALWAYS WEAR YOUR SEATBELT.

3. DO NOT OPERATE THE TRACTOR ON A SLOPE.

4. AVOID SHARP HIGH SPEED TURNS.

CAUTION

Keep all objects clear of fan.

WARNING

TO PREVENT SERIOUS INJURY OR DEATH:

1. REAR OPERATE A TRACTOR WITH A LIFTED PTO OR CHAIN.

2. ALWAYS WEAR YOUR SEATBELT.

3. DO NOT OPERATE THE TRACTOR ON A SLOPE.

4. AVOID SHARP HIGH SPEED TURNS.

CAUTION

Keep all objects clear of fan.

WARNING

TO PREVENT SERIOUS INJURY OR DEATH:

1. REAR OPERATE A TRACTOR WITH A LIFTED PTO OR CHAIN.

2. ALWAYS WEAR YOUR SEATBELT.

3. DO NOT OPERATE THE TRACTOR ON A SLOPE.

4. AVOID SHARP HIGH SPEED TURNS.

CAUTION

Keep all objects clear of fan.

WARNING

TO PREVENT SERIOUS INJURY OR DEATH:

1. REAR OPERATE A TRACTOR WITH A LIFTED PTO OR CHAIN.

2. ALWAYS WEAR YOUR SEATBELT.

3. DO NOT OPERATE THE TRACTOR ON A SLOPE.

4. AVOID SHARP HIGH SPEED TURNS.

CAUTION

Keep all objects clear of fan.

WARNING

ENTANGLEMENT HAZARD

To prevent serious injury or death:

- PTO safety shield must be kept in place.
- DO NOT REMOVE.

WARNING

SEATBELT HAZARD

To prevent serious injury or death:

- The tractor is equipped with a rollover protective structure. Therefore the seatbelt must be worn at all times, except when the tractor is equipped with a fold down PTO and it is in the folded down position.

WARNING

RUNOVER HAZARD

To prevent serious injury or death:

- Start only from rest, with gear and range selectors in neutral.
- Do not start engine by shorting across starter terminals.

IMPORTANT

PTO CLUTCH LEVER

DO NOT LEAVE IN DISENGAGED POSITION.

WARNING

HIGH PRESSURE FLUID HAZARD

To prevent serious injury or death:

- Relieve pressure on system before working on hydraulic lines.
- Wear protective gear and eye protection.
- If hydraulic fluid penetrates skin, obtain medical treatment immediately.

IGNITION SWITCH

STARTER SWITCH

WARNING

To prevent serious injury or death:

Do not use the starting procedure on the tractor with the ignition switch in the "ON" position.

WARNING

COLD START PROCEDURE

LONG TRAC, LONGTRAC, 480, 520, 550, 580, 600, 650, 680, 700, 750, 800, 850, 900, 950, 1000, 1050, 1100, 1150, 1200, 1250, 1300, 1350, 1400, 1450, 1500, 1550, 1600, 1650, 1700, 1750, 1800, 1850, 1900, 1950, 2000, 2050, 2100, 2150, 2200, 2250, 2300, 2350, 2400, 2450, 2500, 2550, 2600, 2650, 2700, 2750, 2800, 2850, 2900, 2950, 3000, 3050, 3100, 3150, 3200, 3250, 3300, 3350, 3400, 3450, 3500, 3550, 3600, 3650, 3700, 3750, 3800, 3850, 3900, 3950, 4000, 4050, 4100, 4150, 4200, 4250, 4300, 4350, 4400, 4450, 4500, 4550, 4600, 4650, 4700, 4750, 4800, 4850, 4900, 4950, 5000, 5050, 5100, 5150, 5200, 5250, 5300, 5350, 5400, 5450, 5500, 5550, 5600, 5650, 5700, 5750, 5800, 5850, 5900, 5950, 6000, 6050, 6100, 6150, 6200, 6250, 6300, 6350, 6400, 6450, 6500, 6550, 6600, 6650, 6700, 6750, 6800, 6850, 6900, 6950, 7000, 7050, 7100, 7150, 7200, 7250, 7300, 7350, 7400, 7450, 7500, 7550, 7600, 7650, 7700, 7750, 7800, 7850, 7900, 7950, 8000, 8050, 8100, 8150, 8200, 8250, 8300, 8350, 8400, 8450, 8500, 8550, 8600, 8650, 8700, 8750, 8800, 8850, 8900, 8950, 9000, 9050, 9100, 9150, 9200, 9250, 9300, 9350, 9400, 9450, 9500, 9550, 9600, 9650, 9700, 9750, 9800, 9850, 9900, 9950, 10000.

CAUTION - NEVER OPERATE STARTER LONGER THAN 30 SECONDS.

WARNING

PUSH FOR COLD START

PULL TO STOP

LANDTRACS AND LONGTRACS ONLY

COLD START PROCEDURE

LONG TRAC, LONGTRAC, 480, 520, 550, 580, 600, 650, 680, 700, 750, 800, 850, 900, 950, 1000, 1050, 1100, 1150, 1200, 1250, 1300, 1350, 1400, 1450, 1500, 1550, 1600, 1650, 1700, 1750, 1800, 1850, 1900, 1950, 2000, 2050, 2100, 2150, 2200, 2250, 2300, 2350, 2400, 2450, 2500, 2550, 2600, 2650, 2700, 2750, 2800, 2850, 2900, 2950, 3000, 3050, 3100, 3150, 3200, 3250, 3300, 3350, 3400, 3450, 3500, 3550, 3600, 3650, 3700, 3750, 3800, 3850, 3900, 3950, 4000, 4050, 4100, 4150, 4200, 4250, 4300, 4350, 4400, 4450, 4500, 4550, 4600, 4650, 4700, 4750, 4800, 4850, 4900, 4950, 5000, 5050, 5100, 5150, 5200, 5250, 5300, 5350, 5400, 5450, 5500, 5550, 5600, 5650, 5700, 5750, 5800, 5850, 5900, 5950, 6000, 6050, 6100, 6150, 6200, 6250, 6300, 6350, 6400, 6450, 6500, 6550, 6600, 6650, 6700, 6750, 6800, 6850, 6900, 6950, 7000, 7050, 7100, 7150, 7200, 7250, 7300, 7350, 7400, 7450, 7500, 7550, 7600, 7650, 7700, 7750, 7800, 7850, 7900, 7950, 8000, 8050, 8100, 8150, 8200, 8250, 8300, 8350, 8400, 8450, 8500, 8550, 8600, 8650, 8700, 8750, 8800, 8850, 8900, 8950, 9000, 9050, 9100, 9150, 9200, 9250, 9300, 9350, 9400, 9450, 9500, 9550, 9600, 9650, 9700, 9750, 9800, 9850, 9900, 9950, 10000.

CAUTION - NEVER OPERATE STARTER LONGER THAN 30 SECONDS.

IMPORTANT

COLD START PROCEDURE

480, 490, 520, 550, 580, 600, 650, 680, 700, 750, 800, 850, 900, 950, 1000, 1050, 1100, 1150, 1200, 1250, 1300, 1350, 1400, 1450, 1500, 1550, 1600, 1650, 1700, 1750, 1800, 1850, 1900, 1950, 2000, 2050, 2100, 2150, 2200, 2250, 2300, 2350, 2400, 2450, 2500, 2550, 2600, 2650, 2700, 2750, 2800, 2850, 2900, 2950, 3000, 3050, 3100, 3150, 3200, 3250, 3300, 3350, 3400, 3450, 3500, 3550, 3600, 3650, 3700, 3750, 3800, 3850, 3900, 3950, 4000, 4050, 4100, 4150, 4200, 4250, 4300, 4350, 4400, 4450, 4500, 4550, 4600, 4650, 4700, 4750, 4800, 4850, 4900, 4950, 5000, 5050, 5100, 5150, 5200, 5250, 5300, 5350, 5400, 5450, 5500, 5550, 5600, 5650, 5700, 5750, 5800, 5850, 5900, 5950, 6000, 6050, 6100, 6150, 6200, 6250, 6300, 6350, 6400, 6450, 6500, 6550, 6600, 6650, 6700, 6750, 6800, 6850, 6900, 6950, 7000, 7050, 7100, 7150, 7200, 7250, 7300, 7350, 7400, 7450, 7500, 7550, 7600, 7650, 7700, 7750, 7800, 7850, 7900, 7950, 8000, 8050, 8100, 8150, 8200, 8250, 8300, 8350, 8400, 8450, 8500, 8550, 8600, 8650, 8700, 8750, 8800, 8850, 8900, 8950, 9000, 9050, 9100, 9150, 9200, 9250, 9300, 9350, 9400, 9450, 9500, 9550, 9600, 9650, 9700, 9750, 9800, 9850, 9900, 9950, 10000.

CAUTION - NEVER OPERATE STARTER LONGER THAN 30 SECONDS.

FARMTRAC 45 ONLY

FARMTRAC 45 & 50 ONLY

FARMTRAC 55 & 60 ONLY

FARMTRAC 65 & 70 ONLY

FARMTRAC 75 & 80 ONLY

FARMTRAC 85 & 90 ONLY

FARMTRAC 95 & 100 ONLY

FARMTRAC 105 & 110 ONLY

FARMTRAC 115 & 120 ONLY

FARMTRAC 125 & 130 ONLY

FARMTRAC 135 & 140 ONLY

FARMTRAC 145 & 150 ONLY

FARMTRAC 155 & 160 ONLY

FARMTRAC 165 & 170 ONLY

FARMTRAC 175 & 180 ONLY

FARMTRAC 185 & 190 ONLY

FARMTRAC 195 & 200 ONLY

FARMTRAC 205 & 210 ONLY

FARMTRAC 215 & 220 ONLY

FARMTRAC 225 & 230 ONLY

FARMTRAC 235 & 240 ONLY

FARMTRAC 245 & 250 ONLY

FARMTRAC 255 & 260 ONLY

FARMTRAC 265 & 270 ONLY

FARMTRAC 275 & 280 ONLY

FARMTRAC 285 & 290 ONLY

FARMTRAC 295 & 300 ONLY

FARMTRAC 305 & 310 ONLY

FARMTRAC 315 & 320 ONLY

FARMTRAC 325 & 330 ONLY

FARMTRAC 335 & 340 ONLY

FARMTRAC 345 & 350 ONLY

FARMTRAC 355 & 360 ONLY

FARMTRAC 365 & 370 ONLY

FARMTRAC 375 & 380 ONLY

FARMTRAC 385 & 390 ONLY

FARMTRAC 395 & 400 ONLY

FARMTRAC 405 & 410 ONLY

FARMTRAC 415 & 420 ONLY

FARMTRAC 425 & 430 ONLY

FARMTRAC 435 & 440 ONLY

FARMTRAC 445 & 450 ONLY

FARMTRAC 455 & 460 ONLY

FARMTRAC 465 & 470 ONLY

FARMTRAC 475 & 480 ONLY

FARMTRAC 485 & 490 ONLY

FARMTRAC 495 & 500 ONLY

FARMTRAC 505 & 510 ONLY

FARMTRAC 515 & 520 ONLY

FARMTRAC 525 & 530 ONLY

FARMTRAC 535 & 540 ONLY

FARMTRAC 545 & 550 ONLY

FARMTRAC 555 & 560 ONLY

FARMTRAC 565 & 570 ONLY

FARMTRAC 575 & 580 ONLY

FARMTRAC 585 & 590 ONLY

FARMTRAC 595 & 600 ONLY

FARMTRAC 605 & 610 ONLY

FARMTRAC 615 & 620 ONLY

FARMTRAC 625 & 630 ONLY

FARMTRAC 635 & 640 ONLY

FARMTRAC 645 & 650 ONLY

FARMTRAC 655 & 660 ONLY

FARMTRAC 665 & 670 ONLY

FARMTRAC 675 & 680 ONLY

FARMTRAC 685 & 690 ONLY

FARMTRAC 695 & 700 ONLY

FARMTRAC 705 & 710 ONLY

FARMTRAC 715 & 720 ONLY

FARMTRAC 725 & 730 ONLY

FARMTRAC 735 & 740 ONLY

FARMTRAC 745 & 750 ONLY

FARMTRAC 755 & 760 ONLY

FARMTRAC 765 & 770 ONLY

FARMTRAC 775 & 780 ONLY

FARMTRAC 785 & 790 ONLY

FARMTRAC 795 & 800 ONLY

FARMTRAC 805 & 810 ONLY

FARMTRAC 815 & 820 ONLY

FARMTRAC 825 & 830 ONLY

FARMTRAC 835 & 840 ONLY

FARMTRAC 845 & 850 ONLY

FARMTRAC 855 & 860 ONLY

FARMTRAC 865 & 870 ONLY

FARMTRAC 875 & 880 ONLY

FARMTRAC 885 & 890 ONLY

FARMTRAC 895 & 900 ONLY

FARMTRAC 905 & 910 ONLY

FARMTRAC 915 & 920 ONLY

FARMTRAC 925 & 930 ONLY

FARMTRAC 935 & 940 ONLY

FARMTRAC 945 & 950 ONLY

FARMTRAC 955 & 960 ONLY

FARMTRAC 965 & 970 ONLY

FARMTRAC 975 & 980 ONLY

FARMTRAC 985 & 990 ONLY

FARMTRAC 995 & 1000 ONLY

TRACTOR MODEL: ALL 480, 490, 520, 550, 580, 600, 650, 680, 700, 750, 800, 850, 900, 950, 1000, 1050, 1100, 1150, 1200, 1250, 1300, 1350, 1400, 1450, 1500, 1550, 1600, 1650, 1700, 1750, 1800, 1850, 1900, 1950, 2000, 2050, 2100, 2150, 2200, 2250, 2300, 2350, 2400, 2450, 2500, 2550, 2600, 2650, 2700, 2750, 2800, 2850, 2900, 2950, 3000, 3050, 3100, 3150, 3200, 3250, 3300, 3350, 3400, 3450, 3500, 3550, 3600, 3650, 3700, 3750, 3800, 3850, 3900, 3950, 4000, 4050, 4100, 4150, 4200, 4250, 4300, 4350, 4400, 4450, 4500, 4550, 4600, 4650, 4700, 4750, 4800, 4850, 4900, 4950, 5000, 5050, 5100, 5150, 5200, 5250, 5300, 5350, 5400, 5450, 5500, 5550, 5600, 5650, 5700, 5750, 5800, 5850, 5900, 5950, 6000, 6050, 6100, 6150, 6200, 6250, 6300, 6350, 6400, 6450, 6500, 6550, 6600, 6650, 6700, 6750, 6800, 6850, 6900, 6950, 7000, 7050, 7100, 7150, 7200, 7250, 7300, 7350, 7400, 7450, 7500, 7550, 7600, 7650, 7700, 7750, 7800, 7850, 7900, 7950, 8000, 8050, 8100, 8150, 8200, 8250, 8300, 8350, 8400, 8450, 8500, 8550, 8600, 8650, 8700, 8750, 8800, 8850, 8900, 8950, 9000, 9050, 9100, 9150, 9200, 9250, 9300, 9350, 9400, 9450, 9500, 9550, 9600, 9650, 9700, 9750, 9800, 9850, 9900, 9950, 10000.

PTO PART NO.: 77187

THIS PTO EXCEEDS THE MINIMUM REQUIREMENTS (BY DYNAMIC TEST) OF SAE STANDARD J117A.

MFG. BY: Farmtrac North America, LLC
 P.O. Box 1170, Bohemia, NY 11716

TRACTOR MODEL: ALL 480, 490, 520, 550, 580, 600, 650, 680, 700, 750, 800, 850, 900, 950, 1000, 1050, 1100, 1150, 1200, 1250, 1300, 1350, 1400, 1450, 1500, 1550, 1600, 1650, 1700, 1750, 1800, 1850, 1900, 1950, 2000, 2050, 2100, 2150, 2200, 2250, 2300, 2350, 2400, 2450, 2500, 2550, 2600, 2650, 2700, 2750, 2800, 2850, 2900, 2950, 3000, 3050, 3100, 3150, 3200, 3250, 3300, 3350, 3400, 3450, 3500, 3550, 3600, 3650, 3700, 3750, 3800, 3850, 3900, 3950, 4000, 4050, 4100, 4150, 4200, 4250, 4300, 4350, 4400, 4450, 4500, 4550, 4600, 4650, 4700, 4750, 4800, 4850, 4900, 4950, 5000, 5050, 5100, 5150, 5200, 5250, 5300, 5350, 5400, 5450, 5500, 5550, 5600, 5650, 5700, 5750, 5800, 5850, 5900, 5950, 6000, 6050, 6100, 6150, 6200, 6250, 6300, 6350, 6400, 6450, 6500, 6550, 6600, 6650, 6700, 6750, 6800, 6850, 6900, 6950, 7000, 7050, 7100, 7150, 7200, 7250, 7300, 7350, 7400, 7450, 7500, 7550, 7600, 7650, 7700, 7750, 7800, 7850, 7900, 7950, 8000, 8050, 8100, 8150, 8200, 8250, 8300, 8350, 8400, 8450, 8500, 8550, 8600, 8650, 8700, 8750, 8800, 8850, 8900, 8950, 9000, 9050, 9100, 9150, 9200, 9250, 9300, 9350, 9400, 9450, 9500, 9550, 9600, 9650, 9700, 9750, 9800, 9850, 9900, 9950, 10000.

PTO PART NO.: 772187

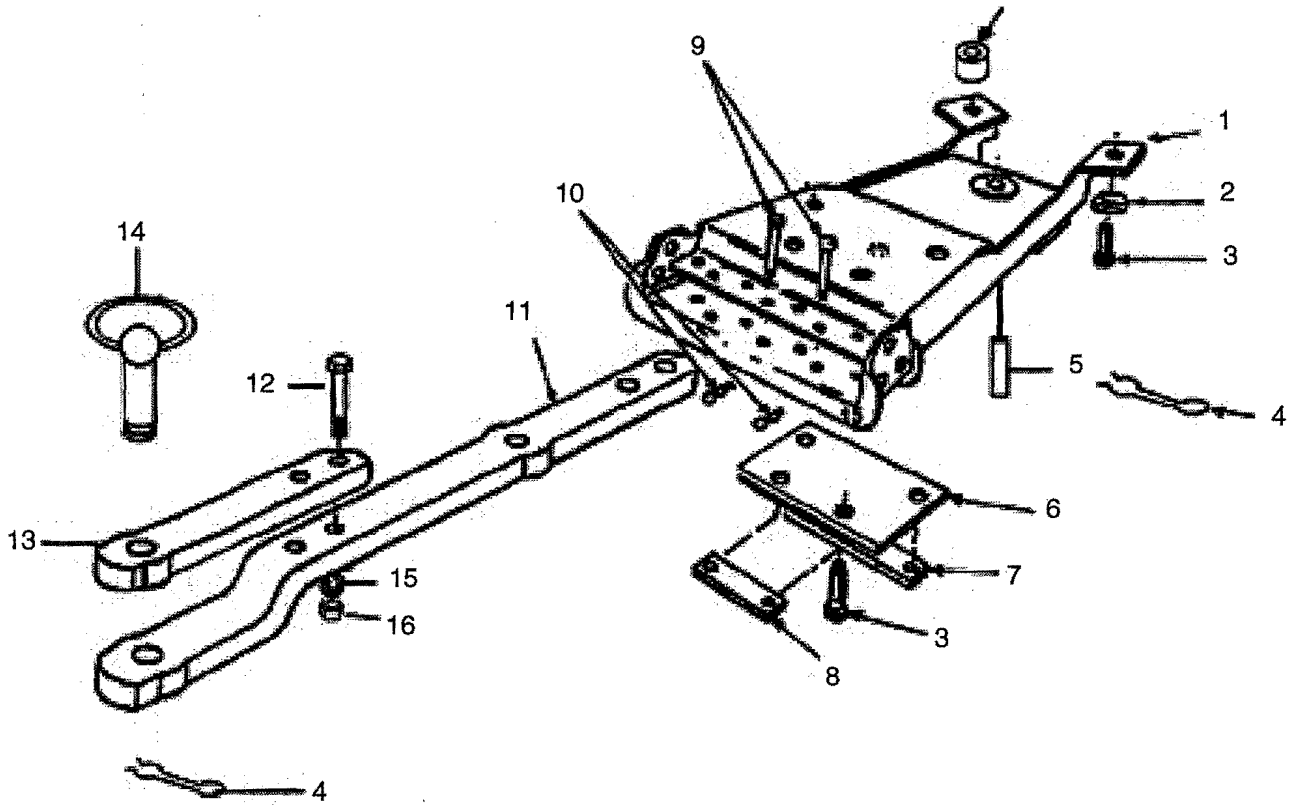
THIS PTO EXCEEDS THE MINIMUM REQUIREMENTS (BY DYNAMIC TEST) OF SAE STANDARD J117A.

MFG. BY: Farmtrac North America, LLC
 P.O. Box 1170, Bohemia, NY 11716

TRACTOR MODEL: ALL 480, 490, 520, 550, 580, 600, 650, 680, 700, 750, 800, 850, 900, 950, 1000, 1050, 1100, 1150, 1200, 1250, 1300, 1350, 1400, 1450, 1500, 1550, 1600, 1650, 1700, 1750, 1800, 1850, 1900, 1950, 2000, 2050, 2100, 2150, 2200, 2250, 2300, 2350, 2400, 2450, 2500, 2550, 2600, 2650, 2700, 2750, 2800, 2850, 2900, 2950, 3000, 3050, 3100, 3150, 3200, 3250, 3300, 3350, 3400, 3450, 3500, 3550, 3600, 3650, 3700, 3750, 3800, 3850, 3900, 3950, 4000, 4050, 4100, 4150, 4200, 4250, 4300, 4350, 4400, 4450, 4500, 4550, 4600, 4650, 4700, 4750, 4800, 4850, 4900, 4950, 5000, 5050, 5100, 5150, 5200, 5250, 5300, 5350, 5400, 5450, 5500, 5550, 5600, 5650, 5700, 5750, 5800, 5850, 5900, 5950, 6000, 6050, 6100, 6150, 6200, 6250, 6300, 6350, 6400, 6450, 6500, 6550, 6600, 6650, 6700, 6750, 6800, 6850, 6900, 6950, 7000, 7050, 7100, 7150, 7200, 7250, 7300, 7350, 7400, 7450, 7500, 7550, 7600, 7650, 7700, 7750, 7800, 7850, 7900, 7950, 8000, 8050, 8100, 8150, 8200, 8250, 8300, 8350, 8400, 8450, 8500, 8550, 8600, 8650, 8700, 8750, 8800, 8850, 8900, 8950, 9000, 9050, 9100, 9150, 9200, 9250, 9300, 9350, 9400, 9450, 9500, 9550,

OPTIONS

665 / 665 DTC



SWINING DRAWBAR

14:1

Ⓢ - SERIAL NUMBER BREAK ,

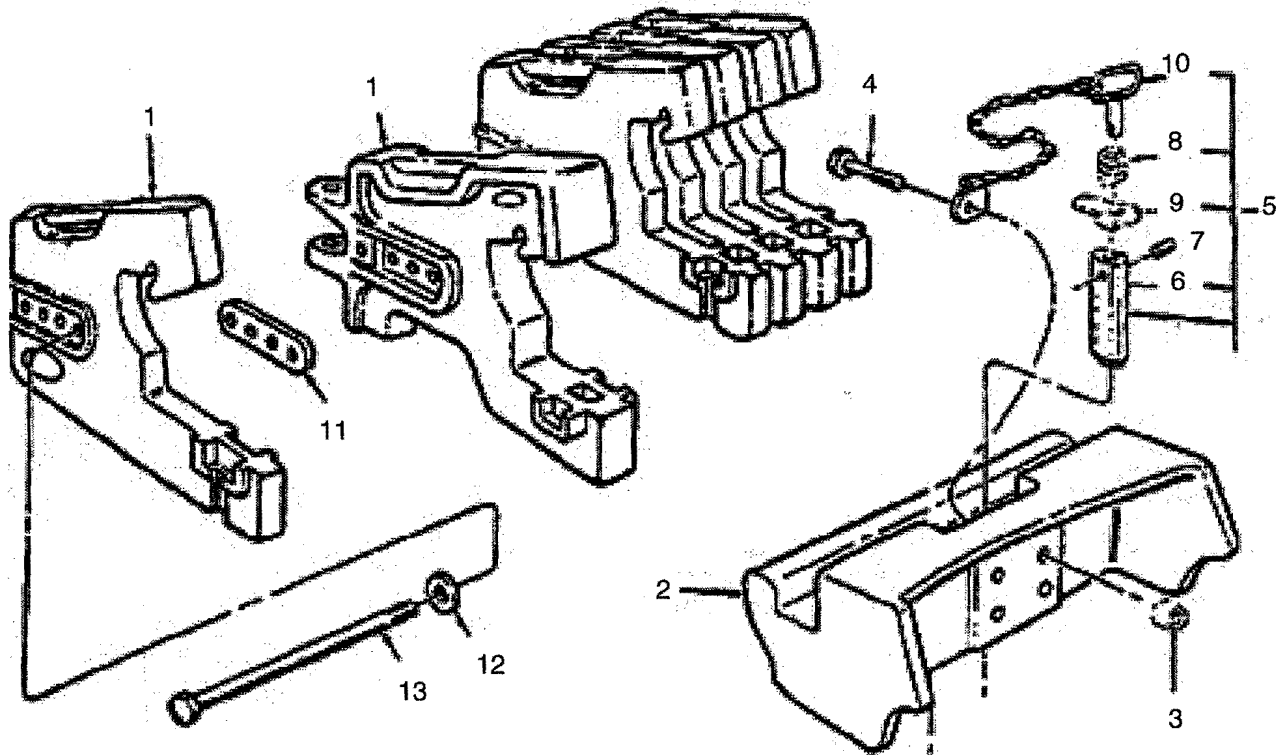
↙ - INDICATES UP TO AND INCLUDING THAT SERIAL NUMBER

665 / 665 DTC

ITEM No.	PART No.	DESCRIPTION	VENDOR No.	QUANTITY	
				665	665 DTC
1	ESL12589	Hanger Assembly, Drawbar	D10027210	1	1
2	ESL11712	Washer, Drawbar Hanger	D10027310	2	2
3	304768S8	Bolt, Hex (5/8-11x1.50)	-	6	6
4	ESL11169	Spring, Drawbar Pin	D10027270	2	2
5	ESL11877	Pin Drawbar	D10027250	1	1
6	ESL11172	Plate, Drawbar Hanger	D10027220	1	1
7	ESL11176	Strap	D10027300	1	1
8	ESL11175	Strap	D10027290	1	1
9	ESL11177	Pin, Drawbar Adjusting	D10027240	2	2
10	ESL12590	Pin, Clip	D10026210	2	2
11	ESL12588	Drawbar Swinging	D10027230	1	1
12	ESL12599	Bolt (5/8-11x3.50)	D81000750	2	2
13	ESL13713	Strap Drawbar Clevis	D10027280	1	1
14	ESL13714	Pin Drawbar Clevis	D10027260	1	1
15	34811S8	Washer, Lock (5/8)	-	2	2
16	33849S8	Nut, Hex (5/8-11)	-	2	2

SWINGING DRAWBAR

665 / 665 DTC



FRONT END WEIGHTS



OPTIONS

665 / 665 DTC

<i>ITEM No.</i>	<i>PART No.</i>	<i>DESCRIPTION</i>	<i>VENDOR No.</i>	<i>QUANTITY</i>	
				665 665 DTC	
1	ESL13626	Weight, Front End	D10039410	6	6
2	ESL13627	Carrier, Front End Weight	D10039420	1	1
3	ESL13628	Spacer	-	4	4
4	304946S8	Bolt, Hex Head (3/4-10x3.50)	-	4	4
5	ESL13629	Pin Assembly, Front End Weight Retainer	D10039400	1	1
6	ESL13630	Pin, Front Weight Retainer	-	1	1
7	ESL13631	Pin	-	1	1
8	ESL13632	Spring, Front End Weight Retainer	-	1	1
9	ESL13633	Bracket, Front End Retainer	-	1	1
10	ESL13634	Chain & Clevis Only	D10042800	1	1
11	ESL13635	Plate, Front End Weight Clamp	-	1	1
12	E630038S8	Washer, Flat (M16)	-	4	4
13	82835166	Bolt, Front End Weight	-	4	4

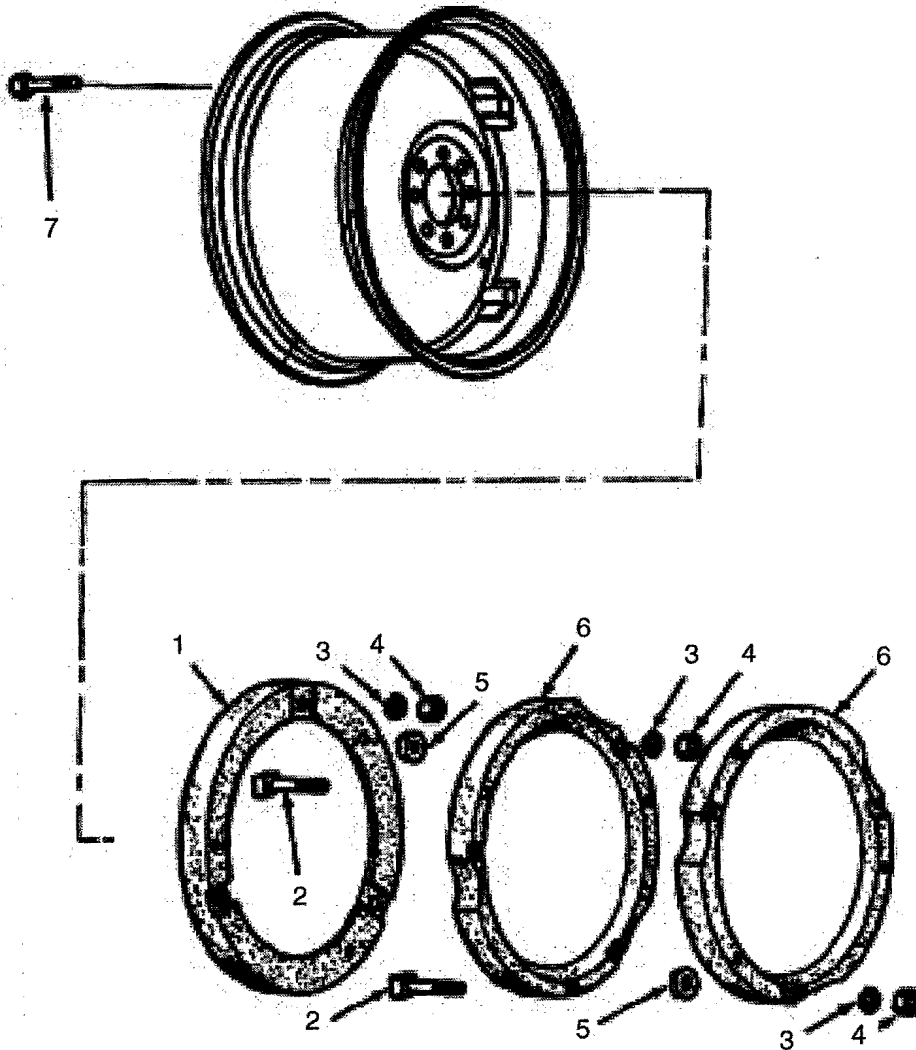
FRONT END WEIGHTS

Ⓢ - SERIAL NUMBER BREAK ,

↙ - INDICATES UP TO AND INCLUDING THAT SERIAL NUMBER

665 / 665 DTC

ITEM No	PART No.	DESCRIPTION	VENDOR No.	QUANTITY
				665 665 DTC
1	ESL10924	Weight, Rear Wheel Center (NSS)	-	2 2
2	380304S8	Bolt, Square Head (5/8-11x3.00)	-	12 12
3	34811S8	Washer, Lock (5/8)	-	18 18
4	33849S8	Nut, Hex (5/8-11)	-	18 18
5	-	Washer, Weight Bolt Retainer (NSS)	-	12 12
6	ESL10926	Weight, Rear Wheel Auxillary (NSS)	-	4 4
7	304933S8	Bolt, Hex Head (5/8-11x3.25)	-	6 6
8	ESL10925	Spacer, Rear Wheel Weight (NSS)	-	6 6



REAR WHEEL WEIGHTS