

EXPLORER 85 T

ENGINE

CRANKCASE.....	1
TIMING CASE.....	2
GUARD PLATE.....	3
CASING COVER.....	4
MONOBLOC ENGINE-GEARBOX CONNECTING FLANGE.....	6
PLUG.....	9
CRANKSHAFT.....	11
CYLINDER - PISTON - CONNECTING ROD.....	13
CRANKSHAFT PULLEY.....	14
ENGINE FLYWHEEL.....	16
COUNTERWEIGHTS.....	17
CAMSHAFT.....	19
CYLINDER HEAD.....	21
OIL PAN.....	25
LUBRICATING OIL INTAKE LINE.....	26
LUBRIC. OIL FILTER.....	29
LUBRICATION.....	31
LUBRICATION.....	34
OIL PIPES FOR TURBOCHARGER.....	36
LUBRIC. OIL COOLER.....	38
MECHANICAL ENGINE GOVERNOR.....	39
PLUG FOR MECHANICAL REGULATOR.....	41
FUEL FEED PUMP.....	42
INJECTION PUMP - INJECTOR.....	44
FUEL PIPES.....	45
FUEL FILTER.....	46
THERMO STARTER.....	48
WATER COOLING.....	51
COOLING WATER PUMP.....	53
WATER COOLING.....	55
WATER COOLING.....	56
COOLANT PUMP PULLEY.....	57
COOLANT PUMP DRIVEBELT.....	59
COOLING SYSTEM MANIFOLD.....	62
WATER COOLING -SEALING.....	65
WATER MANIFOLD COVER.....	67
WATER COOLING.....	68
INTAKE AND EXHAUST.....	70
TURBOCHARGER.....	71
INTAKE AND EXHAUST MANIFOLD GASKETS.....	73
INLET MANIFOLD PLUG.....	74

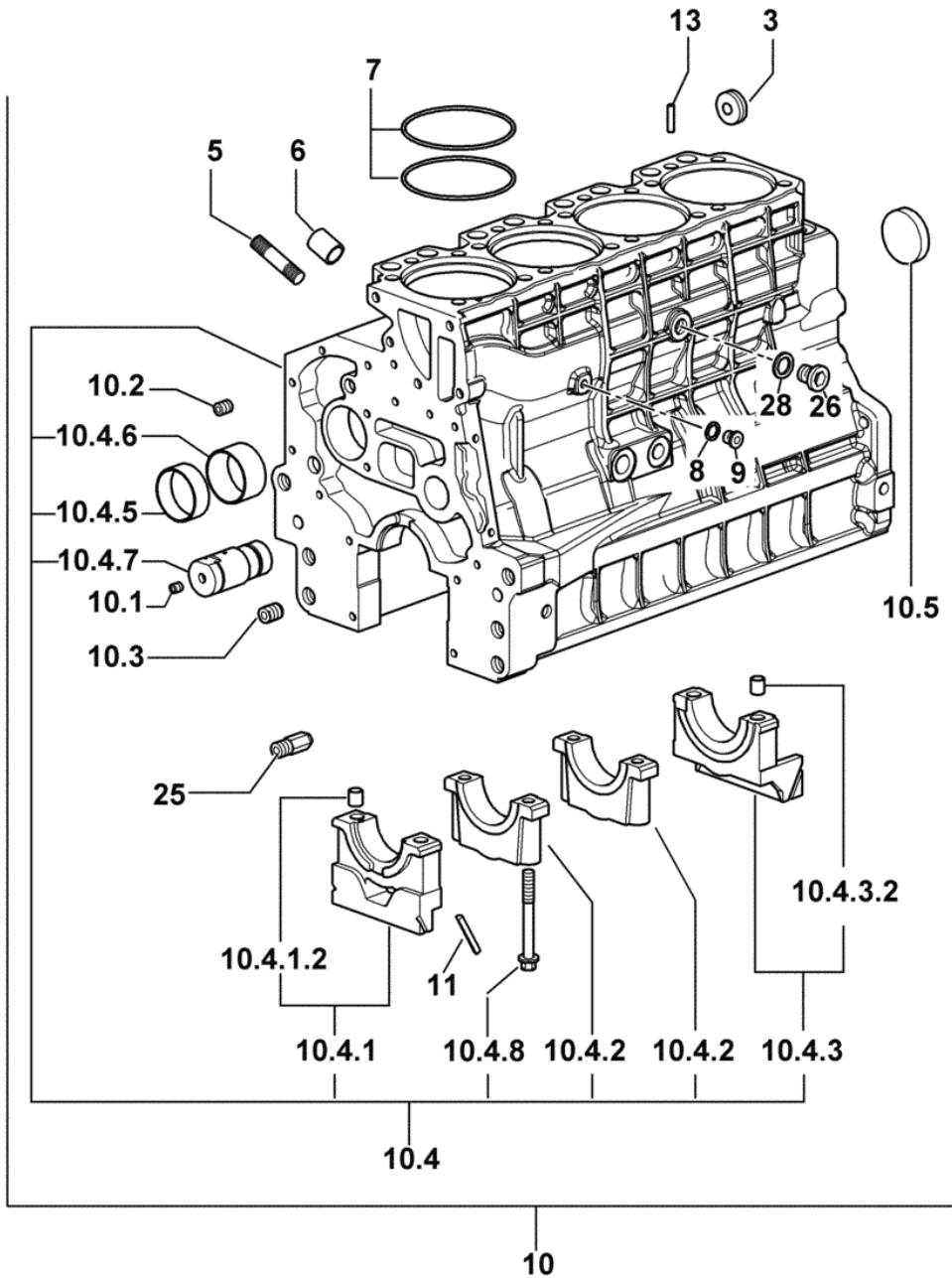
EXHAUST SILENCER.....	79
EXHAUST SILENCER.....	81
SIDE EXHAUST SILENCER.....	83
GASKET SET FOR ENGINE ASSEMBLY.....	84

Section: ENGINE

CRANKCASE

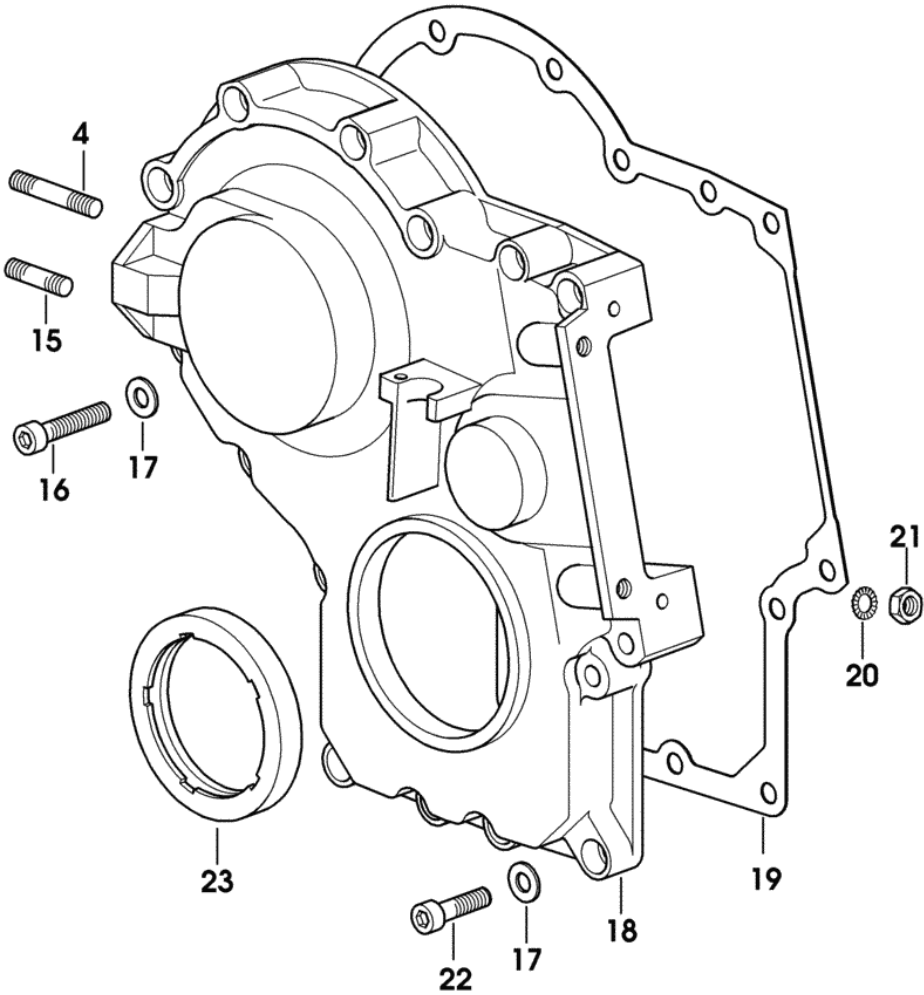
9_M8211_00_0_A

Fig.	Code	QTY	Name
3	2.3199.312.2/10	1	plug
5	2.0439.273.7	8	stud bolt m 8
6	2.1559.188.2	4	sleeve
7	2.1539.193.0	8	ring 107.62x2.62
8	2.1560.010.0	1	gasket 14.2x20
9	2.3199.292.0	1	plug
10	0.013.0489.4/30	1	crankcase
10.1	2.3130.001.1	10	plug 1/8 gas
10.2	2.3130.002.1	2	plug 1/4 gas
10.3	2.3130.003.1	6	plug 3/8 gas
10.4	0.000.0000.1	0	not serviceable
10.4.1	0.065.1112.7	1	support
10.4.1.2	2.1699.165.0	1	sleeve 12.3x15x16
10.4.2	0.065.1114.0/10	3	support
10.4.3	0.065.1116.3	1	support
10.4.3.2	2.1699.165.0	1	sleeve 12.3x15x16
10.4.5	0.065.1140.0	4	bushing 59X55X20
10.4.6	0.065.1141.0	1	bushing 59X55X30
10.4.7	0.066.1151.0	1	pin
10.4.8	0.065.1117.0	10	screw
10.5	2.3179.012.0	1	plug 60
11	0.066.1152.0/10	4	gasket
13	2.1549.154.2	4	sleeve 4.8x5.8x16
25	0.013.4946.0/10	1	cooling nozzle
26	2.3120.101.0	1	plug m 18 p.1.5
28	2.1560.014.0	1	gasket 18.2x24x1.5



Section: ENGINE
TIMING CASE

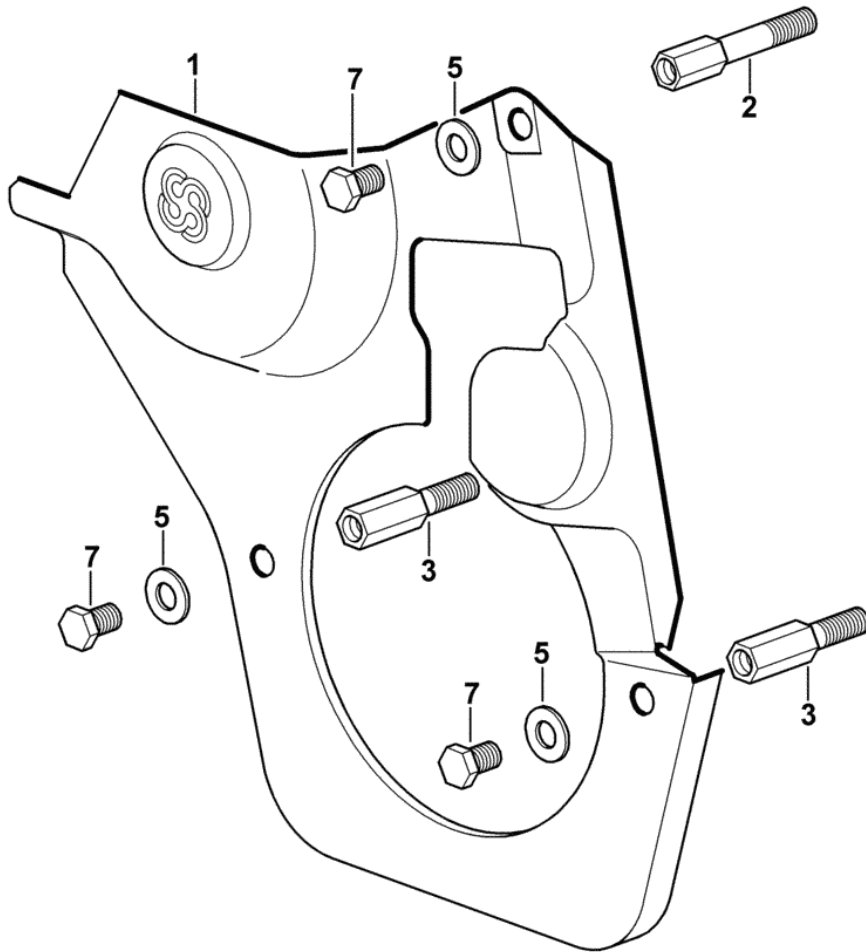
Fig.	Code	QTY	Name
4	2.0432.009.7	1	stud bolt m 8 p.1.25-1x35
15	2.0432.003.7	1	stud bolt m 8 p.1.25-1x20
16	2.0312.214.2	7	screw m 8 p.1.25x40
17	2.1480.014.1	15	washer 8
18	0.013.4981.0	1	sump
19	0.065.1150.0/30	1	gasket
20	2.1470.004.2	4	lock washer 8
21	2.1011.405.2	2	nut m 8 p.1
22	2.0312.208.2	8	screw m 8 p.1.25x25
23	2.1529.167.0	1	'o' ring



9_M8211_00_0_B

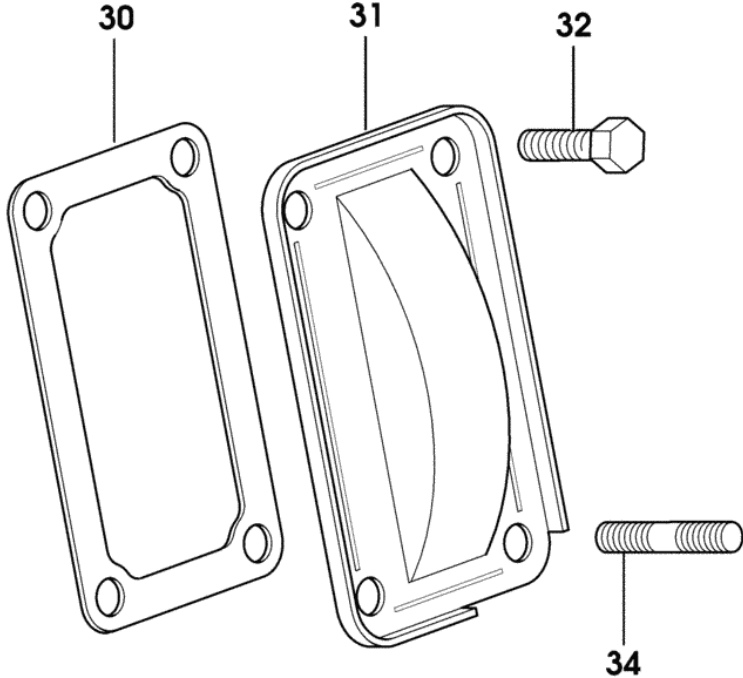
Section: ENGINE
GUARD PLATE

Fig.	Code	QTY	Name
1	0.007.1262.3/50	1	sump
2	0.007.1271.0/10	1	small column
3	0.007.1272.0/10	2	small column
5	2.1310.004.2	3	flat washer 8.4x16
7	2.0112.203.2	3	screw m 8 p.1.25x12



Section: ENGINE
CASING COVER

Fig.	Code	QTY	Name
30	0.065.1152.0	1	gasket
31	0.065.1151.0	1	cover
32	2.0112.205.2	2	screw m 8 p.1.25x16
34	2.0432.005.7	2	stud bolt m 8 p.1.25-1x25

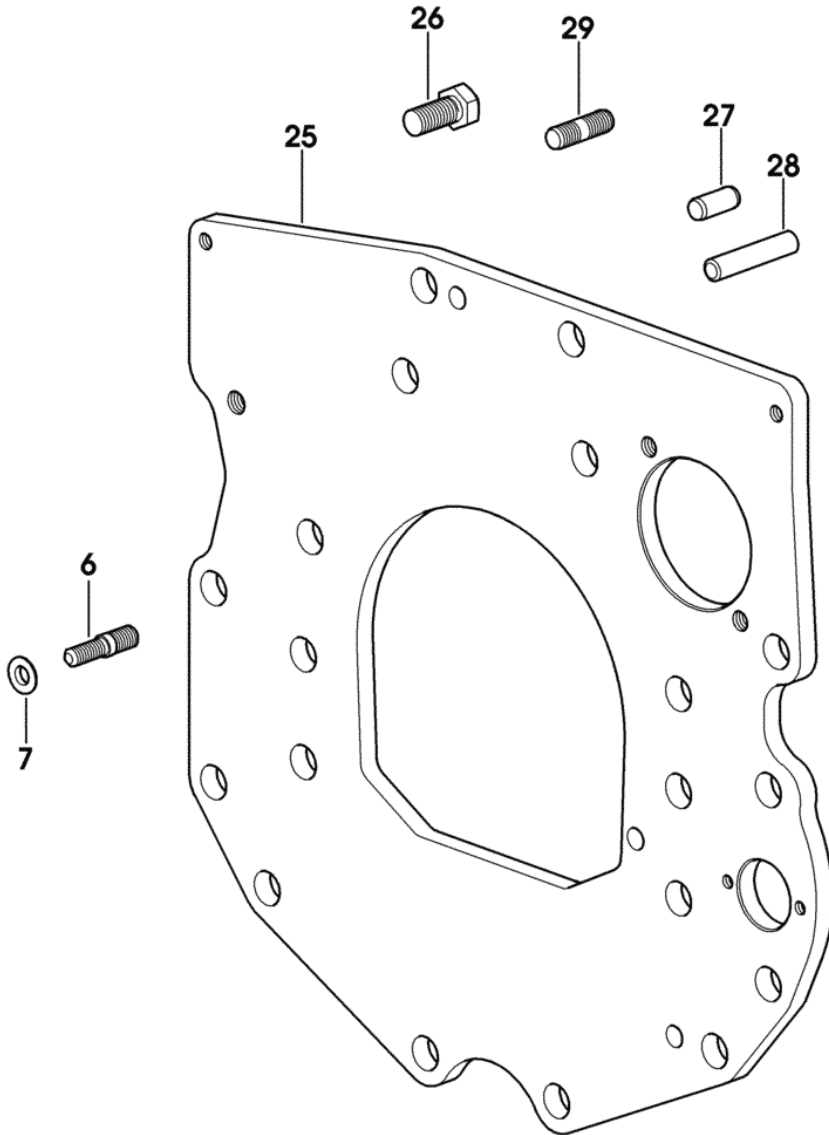


9_33011_04_0_0

Section: ENGINE

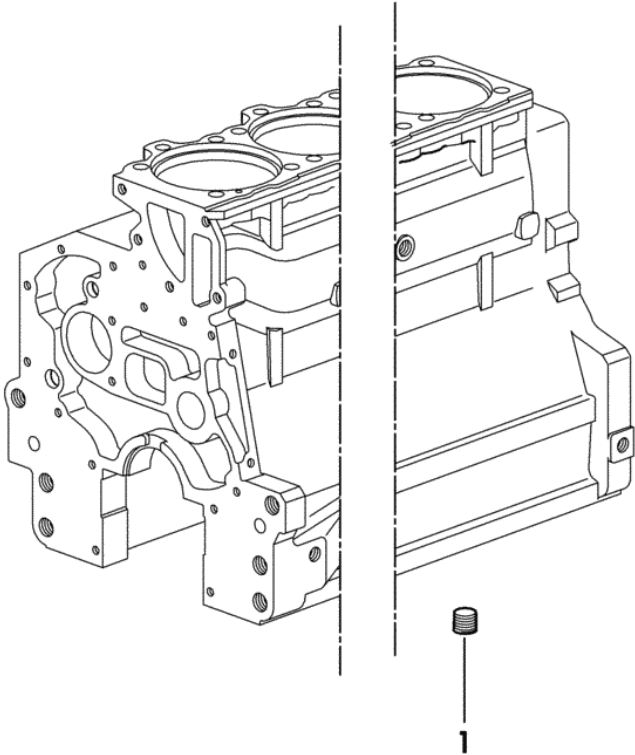
MONOBLOC ENGINE-GEARBOX CONNECTING FLANGE

Fig.	Code	QTY	Name
6	2.0439.250.7	1	stud bolt m 12-m 10x30
7	0.011.9294.0/10	1	sleeve
25	0.066.1130.0/20	1	flange
26	2.0112.511.2	8	screw m 14 p.2x30
27	2.1651.912.0	2	cylindrical plug 12x28
28	2.1651.917.0	1	cylindrical plug 12x40
29	2.0432.257.7	1	stud bolt m 12 p.1.75-1.25x30



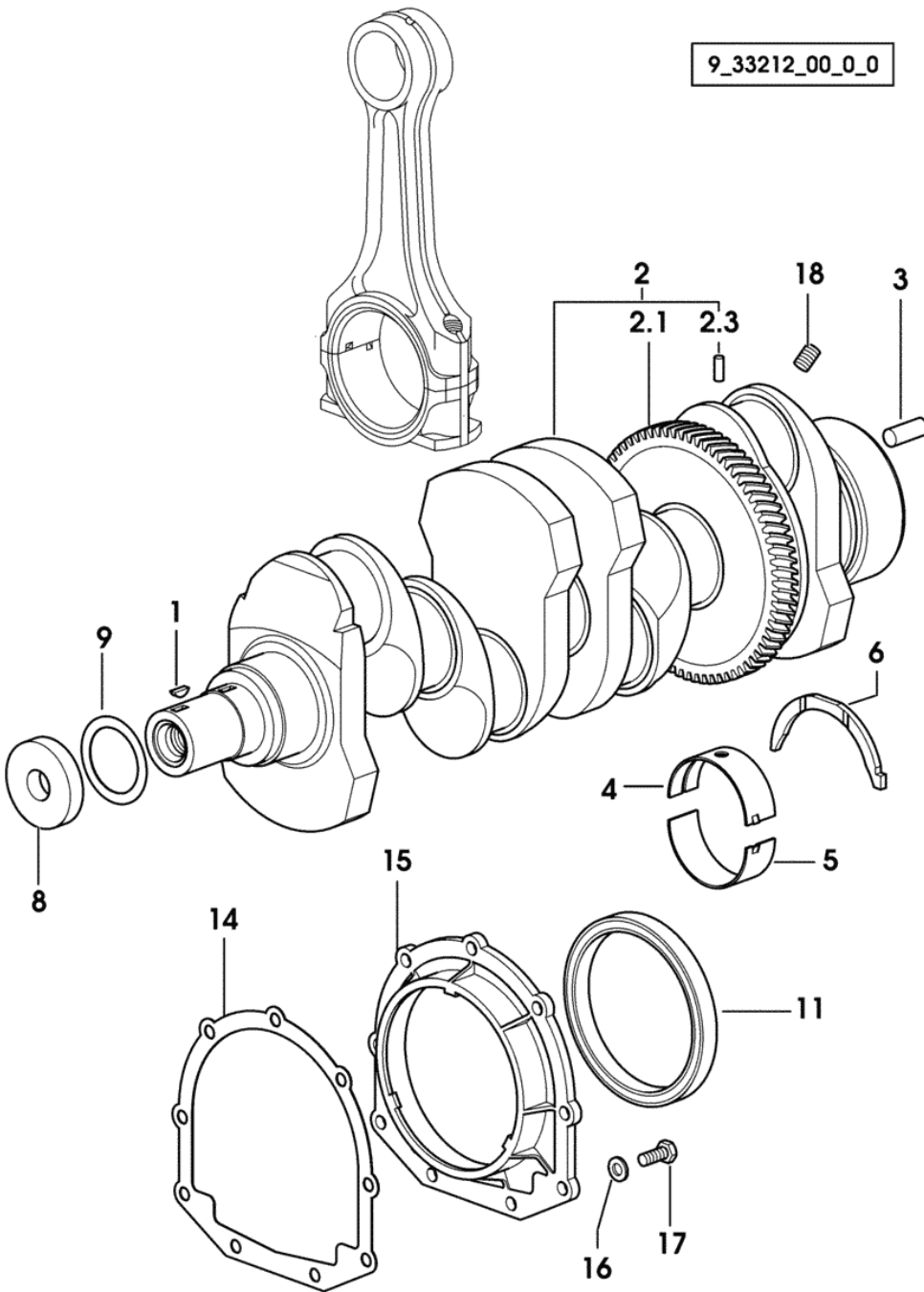
PLUG

Fig.	Code	QTY	Name
1	2.3130.003.1	1	plug 3/8 gas



9_34311_06_0_0

Section: ENGINE
CRANKSHAFT

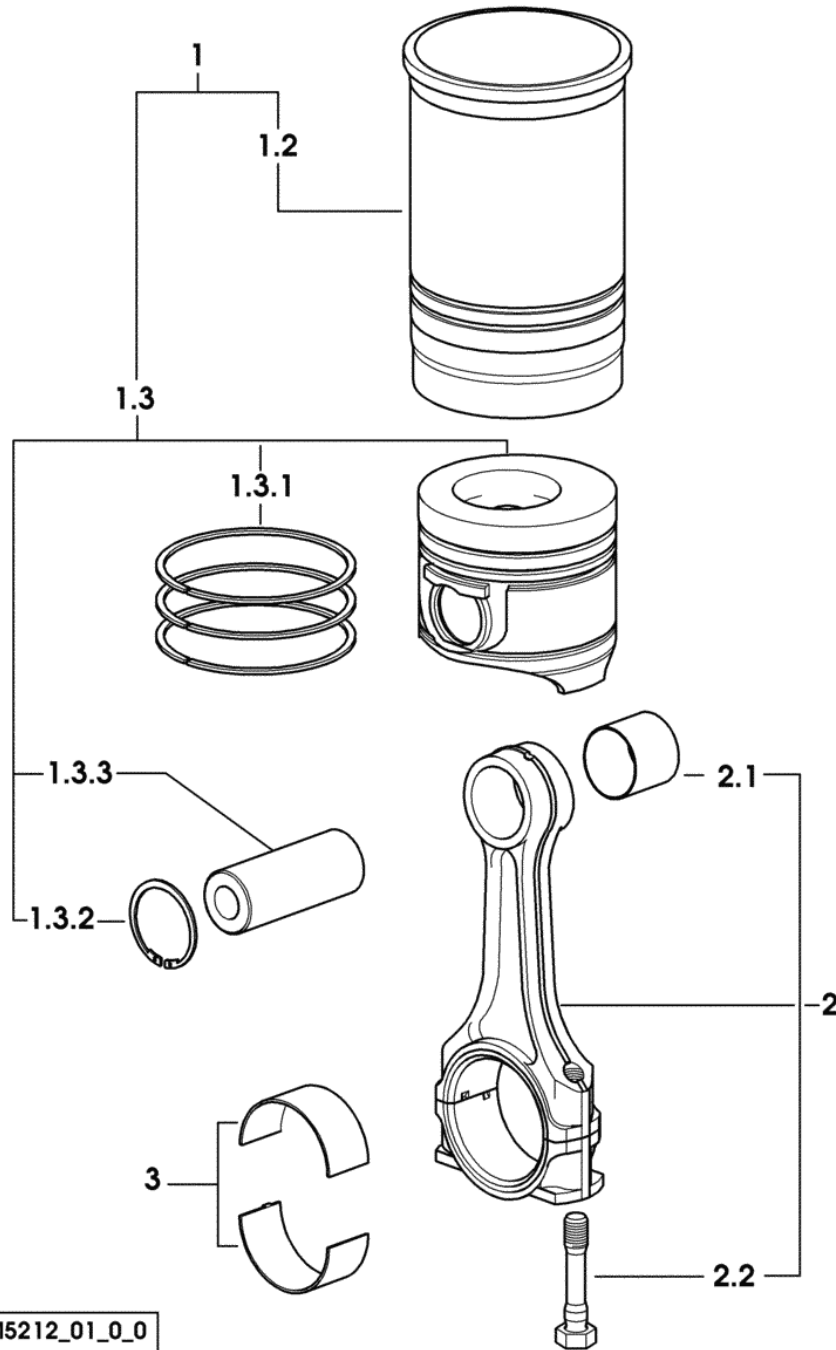


9_33212_00_0_0

Fig.	Code	QTY	Name
1	2.1720.006.0	1	key 4x6.5
2	0.086.1210.3/30	1	crank shaft
2.1	0.065.1211.0/10	1	crown wheel
2.3	2.1630.608.0	1	roll pin 6x16
3	2.1651.915.0	1	pin 12x35
4	0.065.1215.0	5	main half bushing
4	0.065.1215.7	0	main half bushing - mm 0.25
4	0.065.1215.8	0	main half bushing - mm 0.50
5	0.065.1216.0	5	main half bushing
5	0.065.1216.7	0	main half bushing - mm 0.25
5	0.065.1216.8	0	main half bushing - mm 0.50
6	0.065.1218.0	4	shim
6	0.065.1218.7	0	shim - mm 0.25
6	0.065.1218.8	0	shim - mm 0.50
8	2.1599.524.7	1	washer 21x60x12
9	2.1589.189.0	2	shim mm 1
11	2.1529.073.0	1	'o' ring 110x130x13
14	0.065.1254.0/20	1	gasket
15	0.007.1711.0/10	1	cover
16	2.1475.002.2	9	conical washer 8.4x16
17	2.0112.207.2	9	screw m 8 p 1.25x20
18	2.3130.001.1	4	plug 1/8 gas

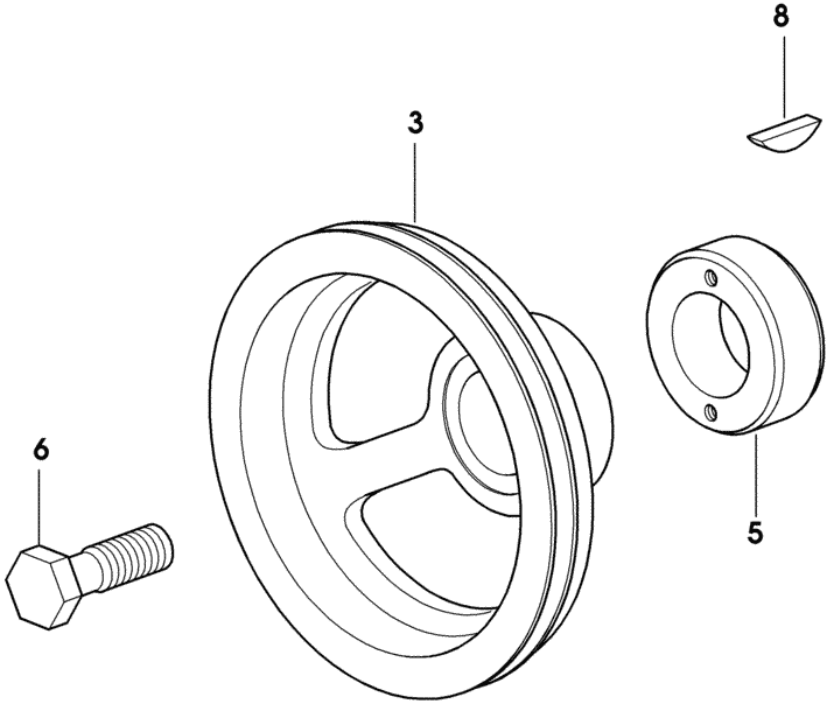
CYLINDER - PISTON - CONNECTING ROD

Fig.	Code	QTY	Name
1	0.099.0065.A	4	piston cyl.assembly "A" - CLASS A
1	0.099.0065.B	4	piston cyl.assembly "B" - CLASS B
1.2	0.A12.2675.0	1	engine cylinder "A" - CLASS A
1.2	0.B12.2675.0	1	engine cylinder "B" - CLASS B
1.3	0.099.0060.A	1	complete piston "A" - CLASS A
1.3	0.099.0060.B	1	complete piston "B" - CLASS B
1.3.1	0.081.0090.6/10	1	piston ring set
1.3.2	2.1411.014.1	2	circlip 35
1.3.3	0.078.1236.0	1	piston pin
2	0.078.1220.3/30	4	engine connect.rod
2.1	2.1559.114.0/10	1	bushing 35x39x35
2.2	2.0399.213.0	2	screw m 12 p.1.25x61.5
3	0.065.1225.0	8	con.rod half bushing
3	0.065.1225.7	8	con.rod half bushing - mm 0.25
3	0.065.1225.8	8	con.rod half bushing - mm 0.50



Section: ENGINE
CRANKSHAFT PULLEY

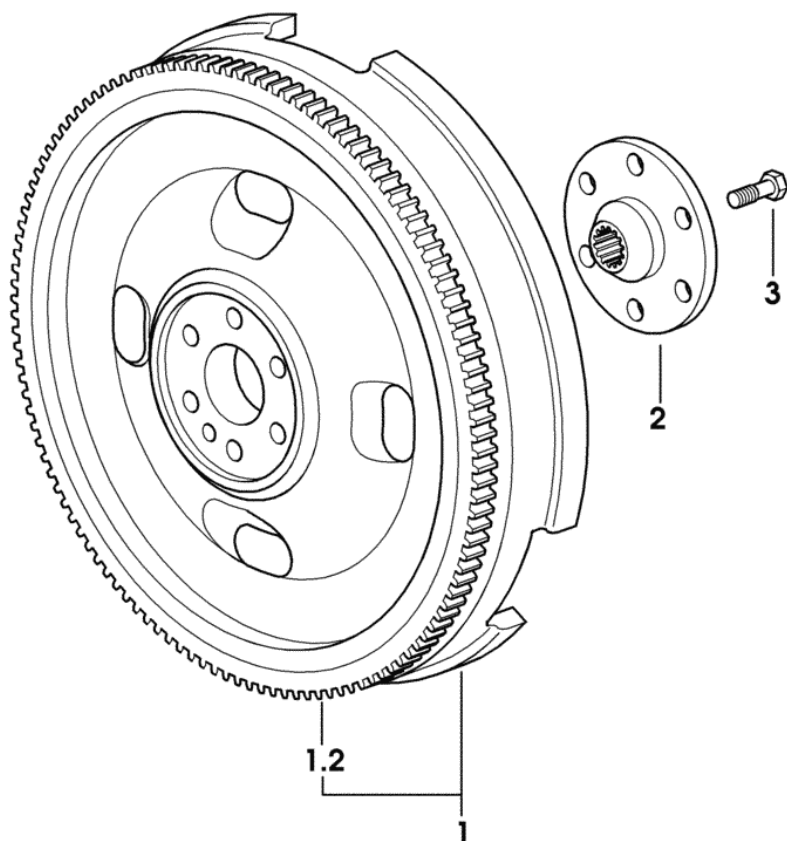
Fig.	Code	QTY	Name
3	0.007.1457.0/30	1	pulley
5	0.085.1248.0/20	1	hub
6	2.0399.144.7/10	1	screw m 20 p.1.5x51
8	2.1720.006.0	1	key 4x6.5



9_33312_02_0_0

Section: ENGINE
ENGINE FLYWHEEL

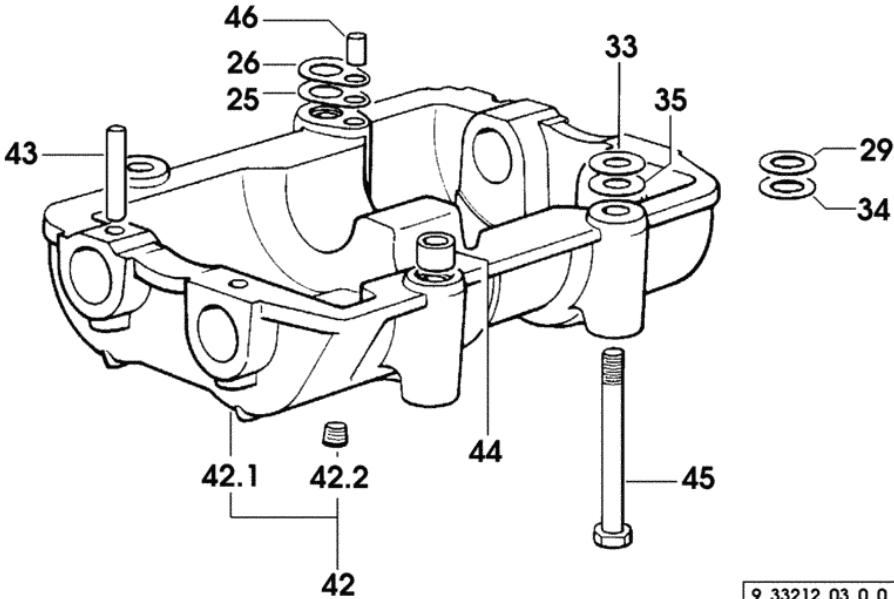
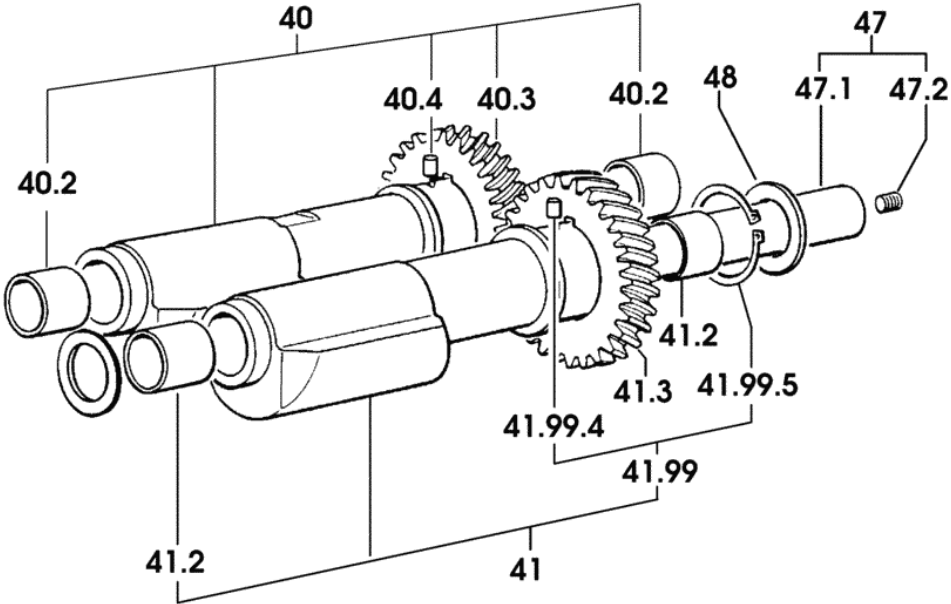
Fig.	Code	QTY	Name
1	0.007.1702.3/30	1	flywheel
1.2	0.065.1242.0	1	crown wheel z=123
2	0.008.5543.0	1	flange
3	2.0139.022.2	6	screw m 12 p.1.25x55



9_32512_03_0_0

Section: ENGINE
COUNTERWEIGHTS

Fig.	Code	QTY	Name
25	2.1589.139.0	1	shim mm 0.3
26	2.1589.140.0	3	shim mm 0.1
29	2.1579.628.0	3	shim 16.5x26x0.1
33	2.1579.629.0	6	shim 12.5x26x0.1
34	2.1589.048.0	1	shim 16.5x26x0.3
35	2.1589.049.0	1	shim 12.5x26x0.3
40	0.086.1233.3/30	1	mass
40.2	2.1559.115.0	2	bushing 26x30x30
40.3	0.000.0000.1	0	not serviceable
40.4	2.1651.302.0	1	pin 4x6
41	0.065.1233.3/30	1	mass
41.2	2.1559.115.0	2	bushing 26x30x30
41.3	0.000.0000.1	0	not serviceable
41.99	0.000.0000.1	0	not serviceable
41.99.4	2.1651.302.0	1	pin 4x6
41.99.5	2.1410.018.7	1	circlip 45
42	0.000.0000.1	0	not serviceable
42.1	0.086.1231.0/10	1	box
42.2	2.3130.001.1	4	plug 1/8 gas
43	2.1631.717.0	2	roll pin 8x40
44	2.1579.626.0	2	spacer 13.2x16x11
45	2.0139.028.2	4	screw m 12
46	2.1699.191.0	1	sleeve 7x10x16
47	0.000.0000.1	0	not serviceable
47.1	0.065.1234.0/10	1	shaft
47.2	2.3130.001.1	1	plug 1/8 gas
48	2.1589.185.0	4	shim 26.1x34x1



9_33212_03_0_0

Section: ENGINE
CAMSHAFT

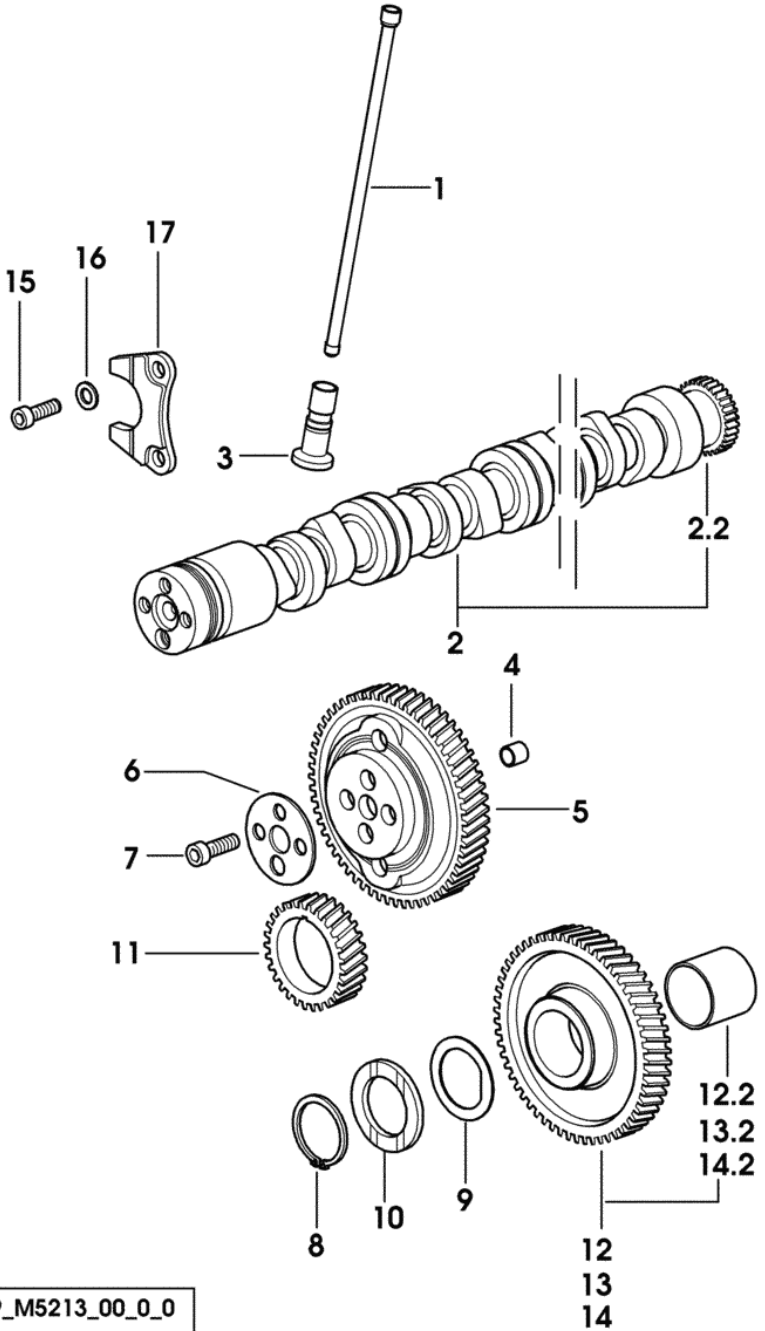


Fig.	Code	QTY	Name
1	0.065.1331.2	8	rod
2	0.012.6558.3/10	1	camshaft
2.2	0.065.1324.0/10	1	gear z=32
3	0.065.1330.0	8	tappets
4	2.1559.398.0	1	bushing 10.5x13x12
5	0.013.5017.0	1	gear z=58
6	0.065.1350.0	1	small disc
7	2.0132.207.2	4	screw m 10 p.1x25
8	2.1410.016.1	1	circlip 40x1.75
9	0.065.1352.0	1	shim
10	0.065.1351.0	2	snoulder
11	0.065.1323.0/30	1	gear z=29
12	0.007.1177.3/20	0	gear z = 57
			- WITH RED IDENTIFICATION STAMP
12.2	2.1559.185.0/10	1	bushing
13	0.007.1178.3/20	0	gear z = 57
			- WITH YELLOW IDENTIFICATION STAMP
13.2	2.1559.185.0/10	1	bushing
14	0.007.1179.3/20	0	gear z = 57
			- WITH GREEN IDENTIFICATION STAMP
14.2	2.1559.185.0/10	1	bushing
15	2.0312.205.2	2	screw m 8 p.1.25x18
16	2.1480.014.1	2	washer 8
17	0.065.1353.0	1	small plate

9_M5213_00_0_0

Section: ENGINE
CYLINDER HEAD

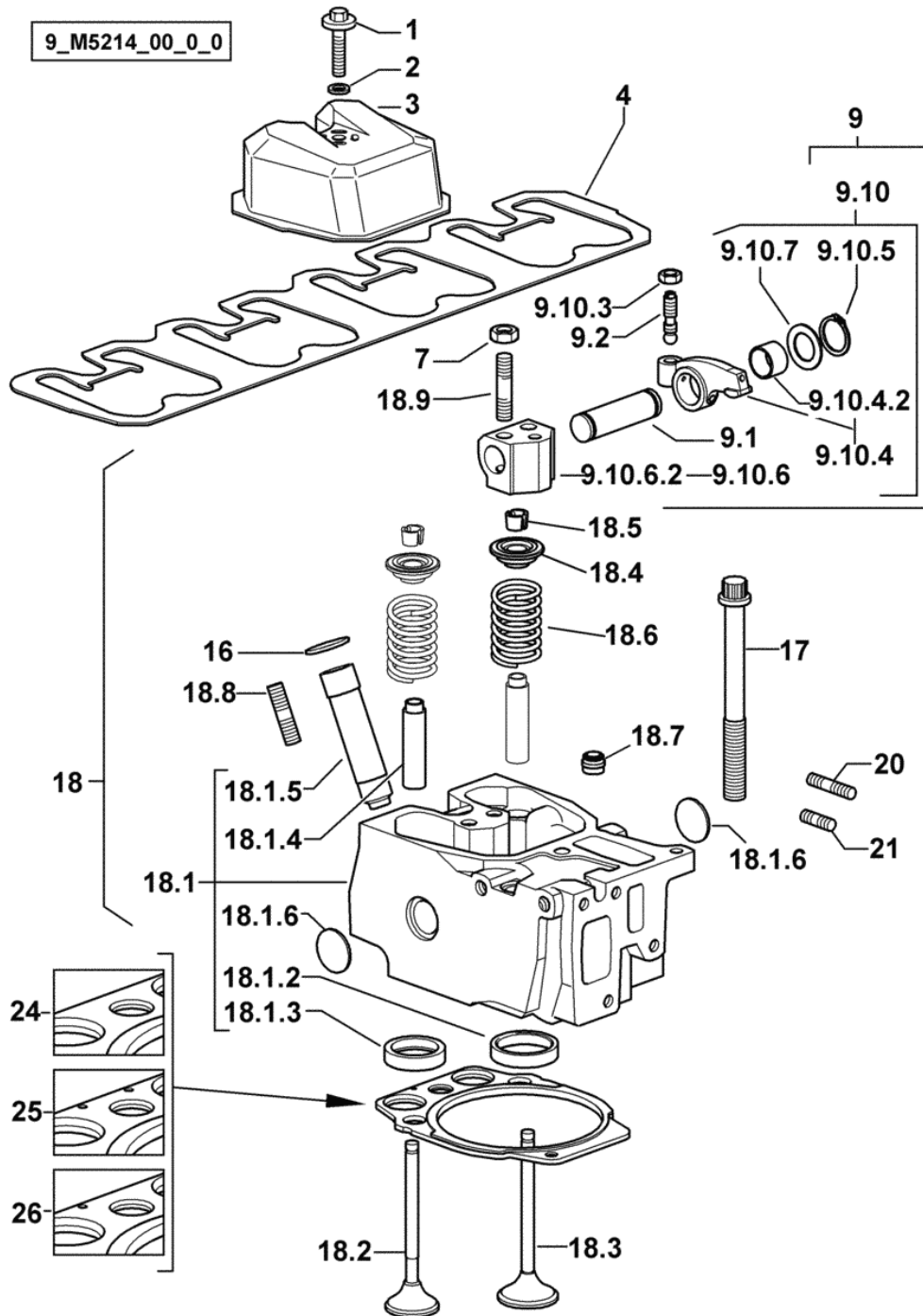
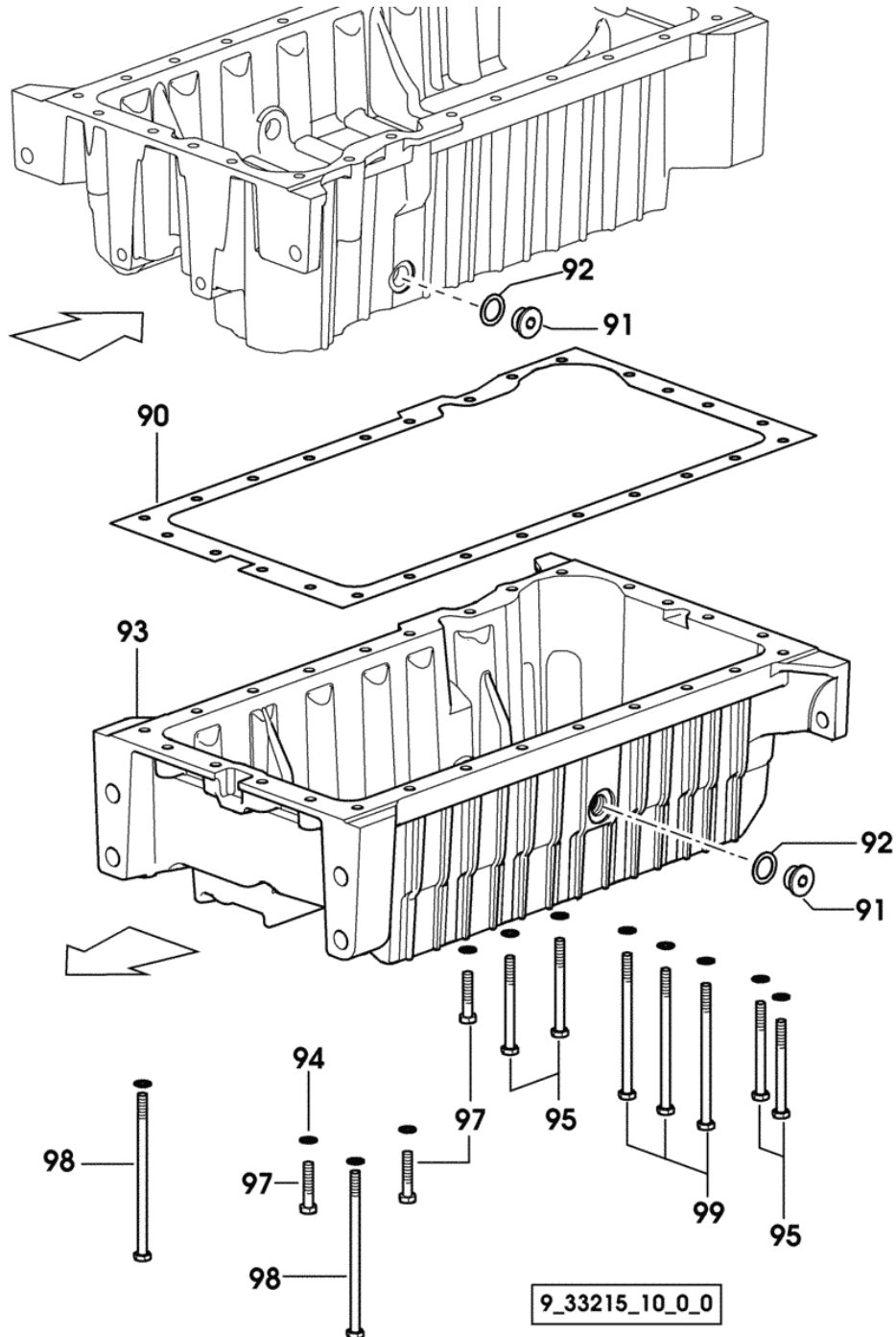


Fig.	Code	QTY	Name
1	2.0399.288.2/10	4	screw m 8x36x46
2	2.1539.151.0	4	'o' ring 9.19x2.62
3	0.007.1139.0/10	4	small cap
4	0.065.1450.0/30	1	gasket
7	2.1011.421.2	8	nut M10x1.25
9	0.000.0000.1	0	not serviceable
9.1	0.066.1431.0	1	pin
9.2	0.021.1434.0	2	screw
9.10	0.000.0000.1	0	not serviceable
9.10.3	2.1011.405.2	2	nut m 8 p.1
9.10.4	0.066.1432.3	2	rocker
9.10.4.2	2.1559.021.0/40	1	bushing 19x22x14
9.10.5	2.1410.055.7	2	circlip 19
9.10.6	0.000.0000.1	0	not serviceable
9.10.6.2	0.066.1430.0/10	1	support
9.10.7	2.1599.432.0	2	snoulder 19.5x31x1.5
16	2.1532.507.0	4	'o' ring
17	0.012.2673.0	16	screw m 14 p.2x141
18	0.000.0000.1	0	not serviceable
18.1	0.013.0412.3/60	1	engine head
18.1.2	0.078.1426.0	1	valve seat mm 45
18.1.3	0.066.1427.0	1	valve seat mm 40.653
18.1.4	0.007.1779.0/20	2	valve guide
18.1.5	0.012.9984.0/20	1	sleeve
18.1.6	2.3170.012.1	2	expansion plug 30
18.2	0.010.6022.0	1	exhaust valve
18.3	0.010.6017.0	1	inlet valve
18.4	0.066.1425.0	2	cup
18.5	0.074.1423.0	4	conical valve cotter
18.6	2.4019.287.0	2	spring 35.5x53.6x3.9
18.7	2.1519.117.0	2	cap
18.8	2.0432.161.7	1	stud bolt m 10 p.1.5-1.25x40
18.9	2.0432.163.7	2	stud bolt m 10 p.1.5-1.25x45
20	2.0432.011.7	4	stud bolt m 8 p.1.25-1x40
21	2.0432.005.7	4	stud bolt m 8 p.1.25-1x25
24	0.013.1887.0	0	gasket
25	0.013.1888.0	3	gasket
26	0.013.1889.0	0	gasket

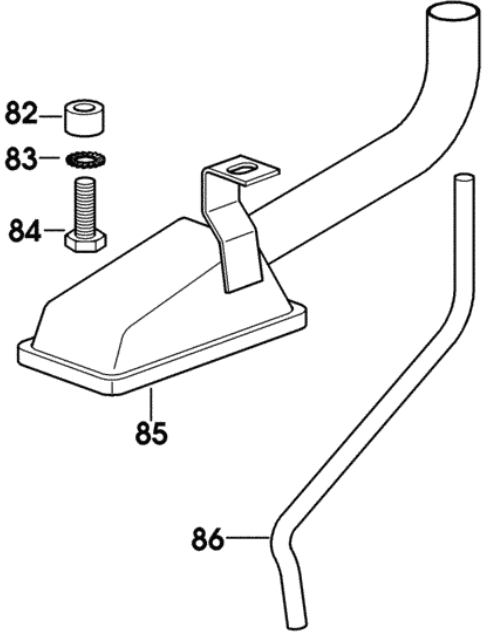
OIL PAN

Fig.	Code	QTY	Name
90	0.065.1550.0/10	1	gasket
91	2.3199.001.2	2	plug 1/2 gas
92	2.1560.054.0	2	gasket 21x26
93	0.007.1277.0/40	1	oil pan
94	2.1470.004.2	26	lock washer 8
95	2.0112.226.2	4	screw m 8 p.1.25x85
97	2.0112.215.2	17	screw m 8 p.1.25x40
98	2.0112.239.2	2	screw m 8 p.1.25x150
99	2.0112.235.2	3	screw m 8 p.1.25x130



Section: ENGINE
LUBRICATING OIL INTAKE LINE

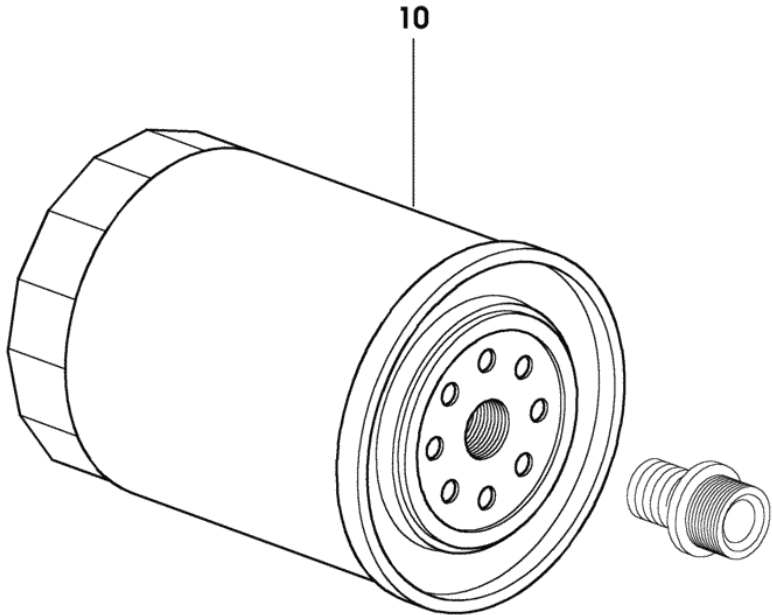
Fig.	Code	QTY	Name
82	2.1579.766.2	1	spacer 8.5x16x10
83	2.1470.004.2	1	lock washer 8
84	2.0112.209.2	1	screw m 8 p 1.25x25
85	0.065.1531.3/30	1	tube
86	0.066.1556.0	1	tube



9_33215_07_0_0

Section: ENGINE
LUBRIC. OIL FILTER

Fig.	Code	QTY	Name
10	2.4419.340.0	1	oil filter element



9_34415_04_0_0

Section: ENGINE
LUBRICATION

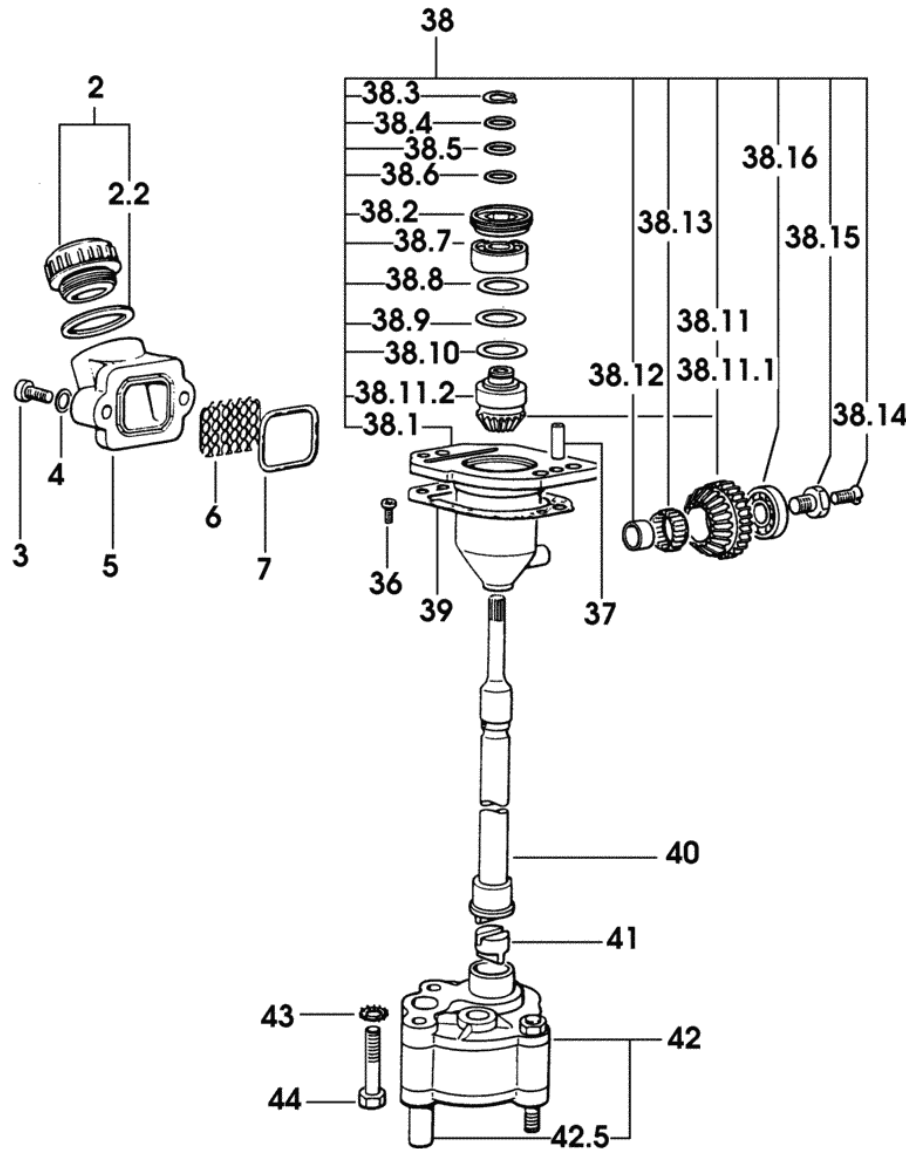


Fig.	Code	QTY	Name
2	0.041.1135.4	1	plug
2.2	2.1569.072.0	1	gasket 32x39.5x2
3	2.0312.205.2	2	screw m 8 p.1.25x18
4	2.1480.014.1	2	washer 8
5	0.013.0942.0/10	1	pipe union
6	0.013.1387.0	1	small mesh
7	2.1532.515.0	1	rubber ring
36	2.0169.005.2	2	screw m 6 p.1x12
37	2.1651.711.0	2	pin 8x14
38	0.013.1629.4	1	support
38.1	0.013.1629.3	1	support
38.2	2.1219.025.2/10	1	ring nut m 36 p.1.5
38.3	2.1410.057.1	1	circlip 15
38.4	2.1589.153.0	1	shim 15.2x19x1
38.5	2.1589.146.0	2	shim 15.2x19x0.15
38.6	2.1589.147.0	2	shim 15.2x19x0.1
38.7	2.2020.001.0	1	ball bearing 15x32x8
38.8	2.1589.148.0	1	shim 28.2x31.8x0.5
38.9	2.1589.150.0	2	shim 28.2x31.8x0.1
38.10	2.1589.151.0	2	shim 28.2x31.8x0.15
38.11	0.000.0000.1	0	not serviceable
38.11.1	0.065.1558.6/10	1	bevel gear
38.11.2	0.065.1559.0	1	sleeve
38.12	2.2680.020.0	1	snoulder 12x15x12
38.13	2.2725.016.0	1	roller cage 15x21x12
38.14	2.0342.007.6	1	screw m 4x25
38.15	2.0399.128.2/10	1	screw m 8 p.1
38.16	2.2030.002.0	1	ball bearing 12x28x8
39	0.065.1560.0/20	2	gasket
40	0.065.1569.0/40	1	shaft
41	0.065.1562.0/10	1	joint
42	0.010.5441.4/10	1	oil pump
42.5	0.065.1552.3/60	1	valve
43	2.1470.006.2	2	lock washer 10
44	2.0112.325.2	2	screw m 10 p.1.5x80

Section: ENGINE
LUBRICATION

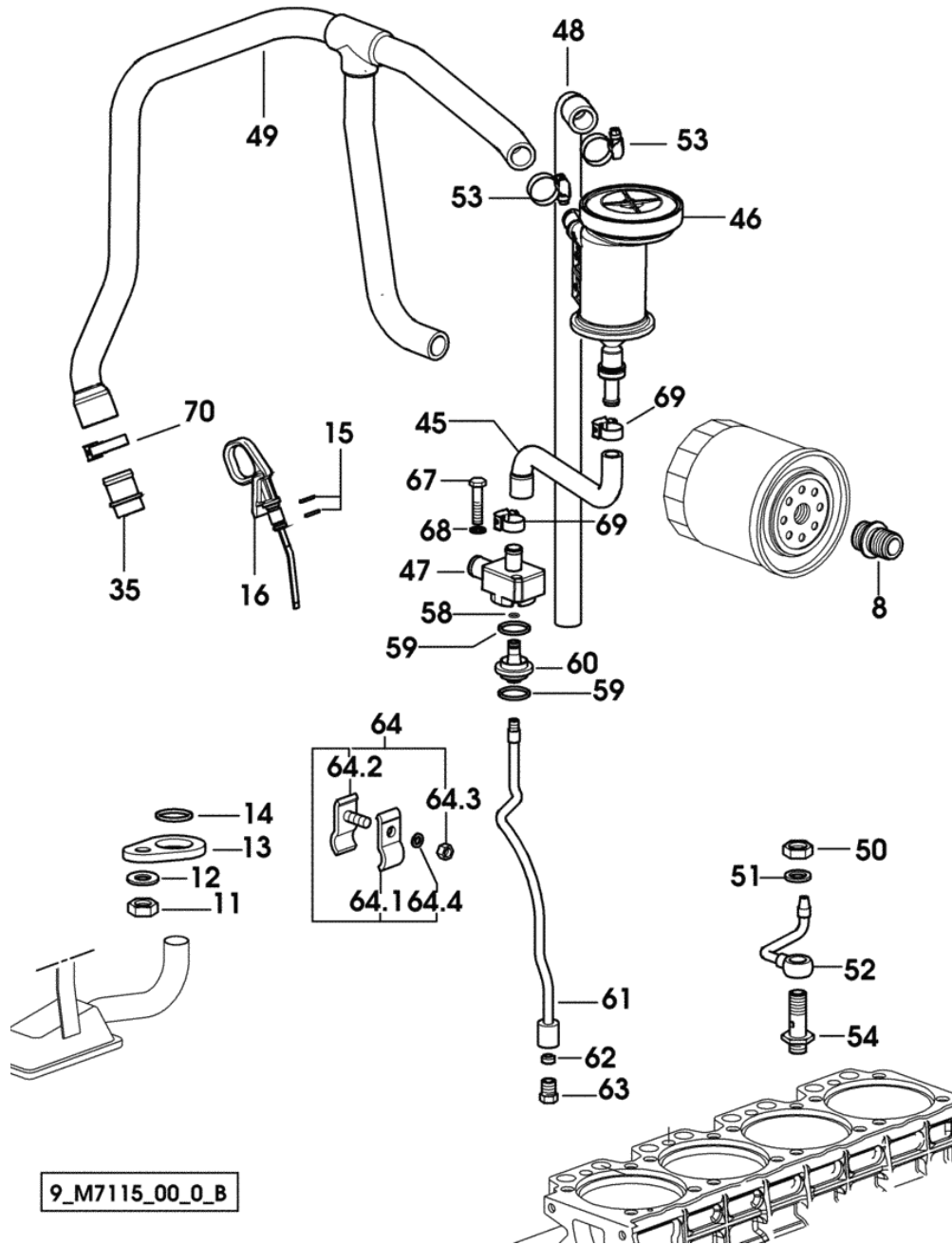


Fig.	Code	QTY	Name
8	2.3339.307.0	1	pipe fitting m 22 p.1.5-3/4"
11	2.1011.105.2	1	nut m 8 p.1.25
12	2.1470.004.2	1	lock washer 8
13	0.065.1538.0	1	flange
14	2.1539.040.0	1	'o' ring 21.82x3.53
15	2.1539.065.0	2	'o' ring 8.73x1.78
16	0.086.1513.2/30	1	dipstick
35	0.011.5918.0/10	1	tube
45	0.014.2780.0	1	tube
46	0.013.5023.0	1	sediment bowl
47	0.013.5525.2/10	1	flange
48	0.013.8200.0	1	exhaust
49	0.013.5600.0/10	1	tube
50	2.1099.108.2	4	special nut m 10 p.1
51	2.1560.006.0	8	gasket 10.5
52	0.086.1550.2	4	cooling nozzle
53	2.6851.002.0	3	clamp 20-32
54	0.065.1160.3/20	4	valve
58	2.1532.012.0	1	'o' ring 6.75x1.78
59	2.1539.072.0	2	'o' ring 23.52x1.78
60	0.066.1558.0	1	sleeve
61	0.066.1557.2	1	tube
62	2.3350.003.1	1	nosepiece 8
63	2.3339.418.1	1	pipe fitting m 12 p.1
64	0.000.0000.1	0	not serviceable
64.1	0.075.1552.0	1	bracket
64.2	0.075.1552.2	1	bracket
64.3	2.1011.103.2	1	nut m 6 p.1
64.4	2.1470.002.2	1	lock washer 6
67	2.0112.215.2	2	screw m 8 p.1.25x40
68	2.1474.009.2	2	spring washer 8
69	2.6851.001.0	3	clamp 16-25
70	2.6851.003.0	1	clamp 25-40

9_M7115_00_0_B

Section: ENGINE
OIL PIPES FOR TURBOCHARGER

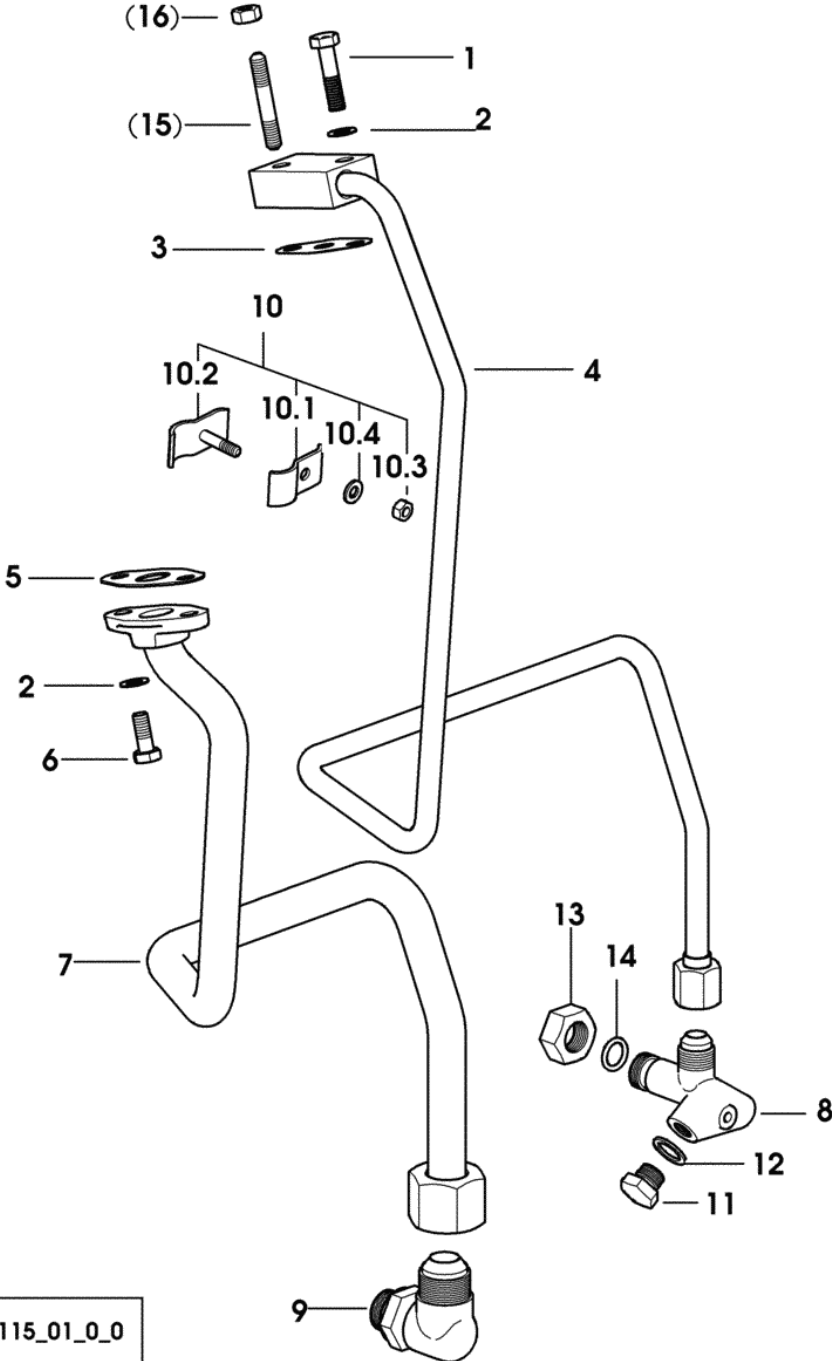


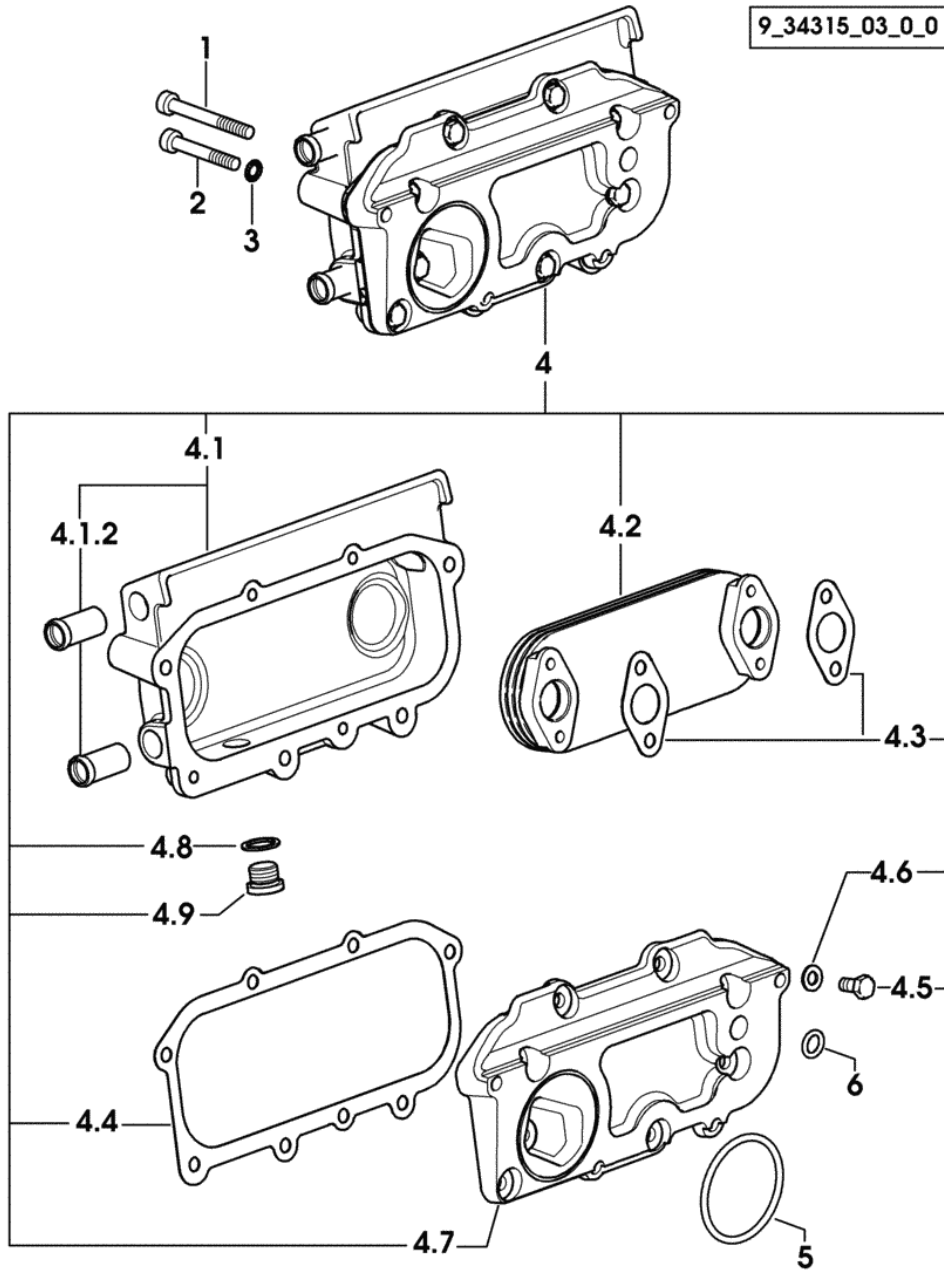
Fig.	Code	QTY	Name
1	2.0112.213.2	1	screw m 8 p.1.25x35 1049 <- X EXPLORER 85 T 1063 <- X EXPLORER 95 T
1	2.0112.213.2	2	screw m 8 p.1.25x35 -> 1050 X EXPLORER 85T -> 1064 X EXPLORER 95T
2	2.1470.004.2	4	lock washer 8
3	0.052.1557.0	1	gasket
4	0.007.0788.2	1	tube
5	0.052.1558.0/10	1	gasket
6	2.0112.207.2	2	screw m 8 p 1.25x20
7	0.007.0789.3	1	tube
8	2.3339.673.0/10	1	pipe fitting
9	2.3264.021.2	1	pipe fitting m 22 p.1.5 - 1" 1/16
10	0.007.1317.4	1	bracket
10.1	0.007.1317.0	1	bracket
10.2	0.007.1317.3	1	bracket
10.3	2.1011.103.2	1	nut m 6 p.1
10.4	2.1470.002.2	1	lock washer 6
11	2.3110.403.1	1	plug m 14 p.1.5
12	2.1560.010.0	1	gasket 14.2x20
13	2.1019.129.2/10	1	nut m 18 p.1.5x12
14	2.1533.038.0	1	'o' ring 15.45x2.62
15	2.0432.011.7	1	stud bolt m 8 p.1.25-1x40 1049 <- X EXPLORER 85 T 1063 <- X EXPLORER 95 T
16	2.1011.405.2	1	nut m 8 p.1 1049 <- X EXPLORER 85 T 1063 <- X EXPLORER 95 T

9_M7115_01_0_0

Section: ENGINE
LUBRIC. OIL COOLER

9_34315_03_0_0

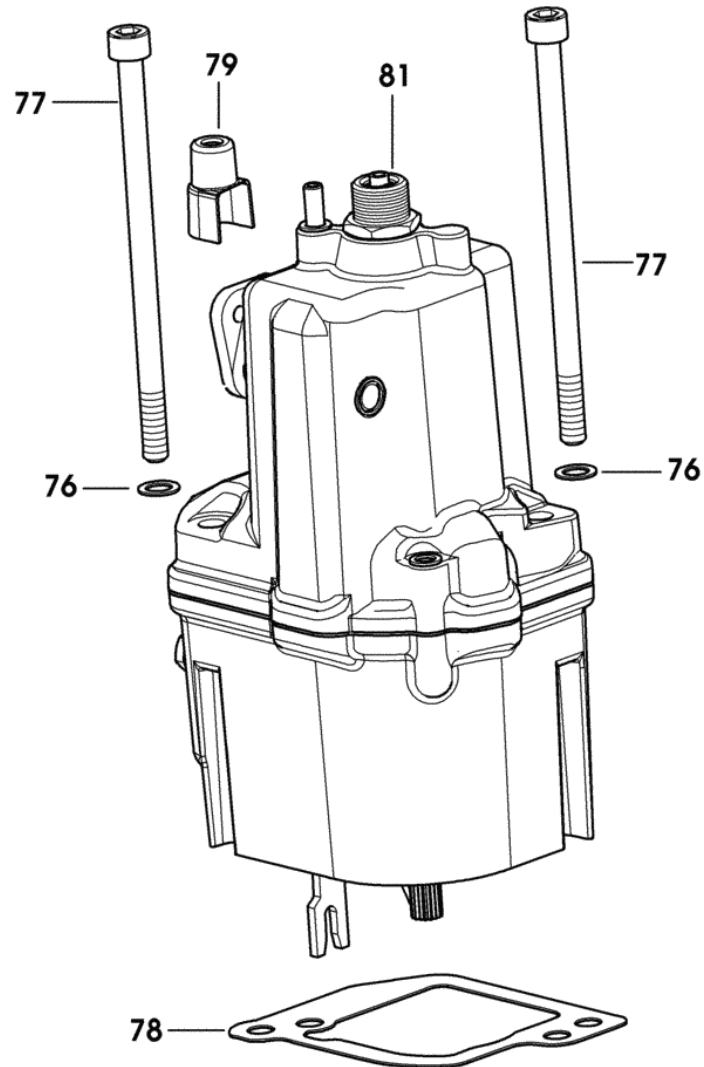
Fig.	Code	QTY	Name
1	2.0312.220.2	2	screw m 8 p.1.25x70
2	2.0312.217.2	2	screw m 8 p.1.25x55
3	2.1480.014.1	4	washer 8
4	0.000.0000.1	0	not serviceable
4.1	0.078.1554.3	1	box
4.1.2	0.066.1750.0	1	tube
4.2	0.078.1540.3	1	radiator
4.3	0.078.1557.0/10	2	gasket
4.4	0.078.1556.0/10	1	gasket
4.5	2.0112.205.2	8	screw m 8 p.1.25x16
4.6	2.1310.004.2	8	flat washer 8.4x16
4.7	0.078.1555.0/10	1	plate
4.8	2.1560.014.0	1	gasket 18.2x24x1.5
4.9	2.3120.101.0	1	plug m 18 p.1.5
5	2.1539.050.0	1	'o' ring 69.57x1.78
6	2.1539.048.0	1	'o' ring 20.35x1.78



Section: ENGINE

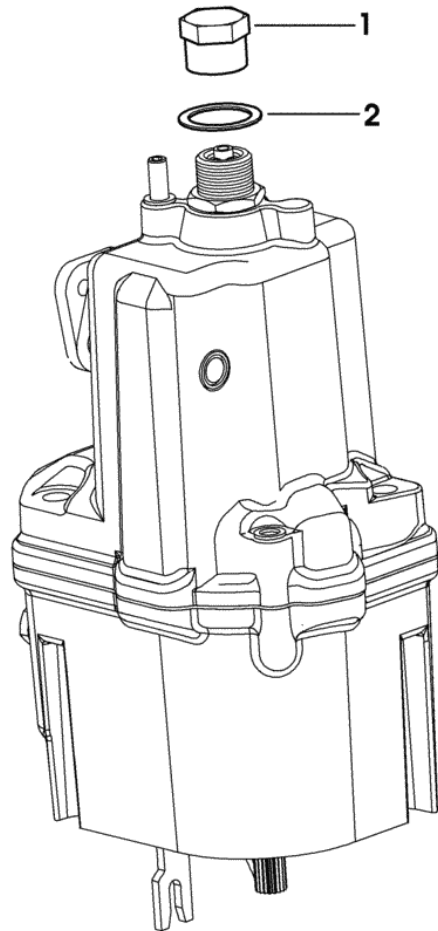
MECHANICAL ENGINE GOVERNOR

Fig.	Code	QTY	Name
76	2.1480.014.1	2	washer 8
77	2.0399.103.2	2	screw
78	0.009.3880.0/20	1	gasket
79	0.070.1655.0	1	cap
81	0.013.5695.4/20	1	regulator
			☞ 577
			☞ 578
			☞ 579
			=> 577
			=> 578
			=> 579



PLUG FOR MECHANICAL REGULATOR

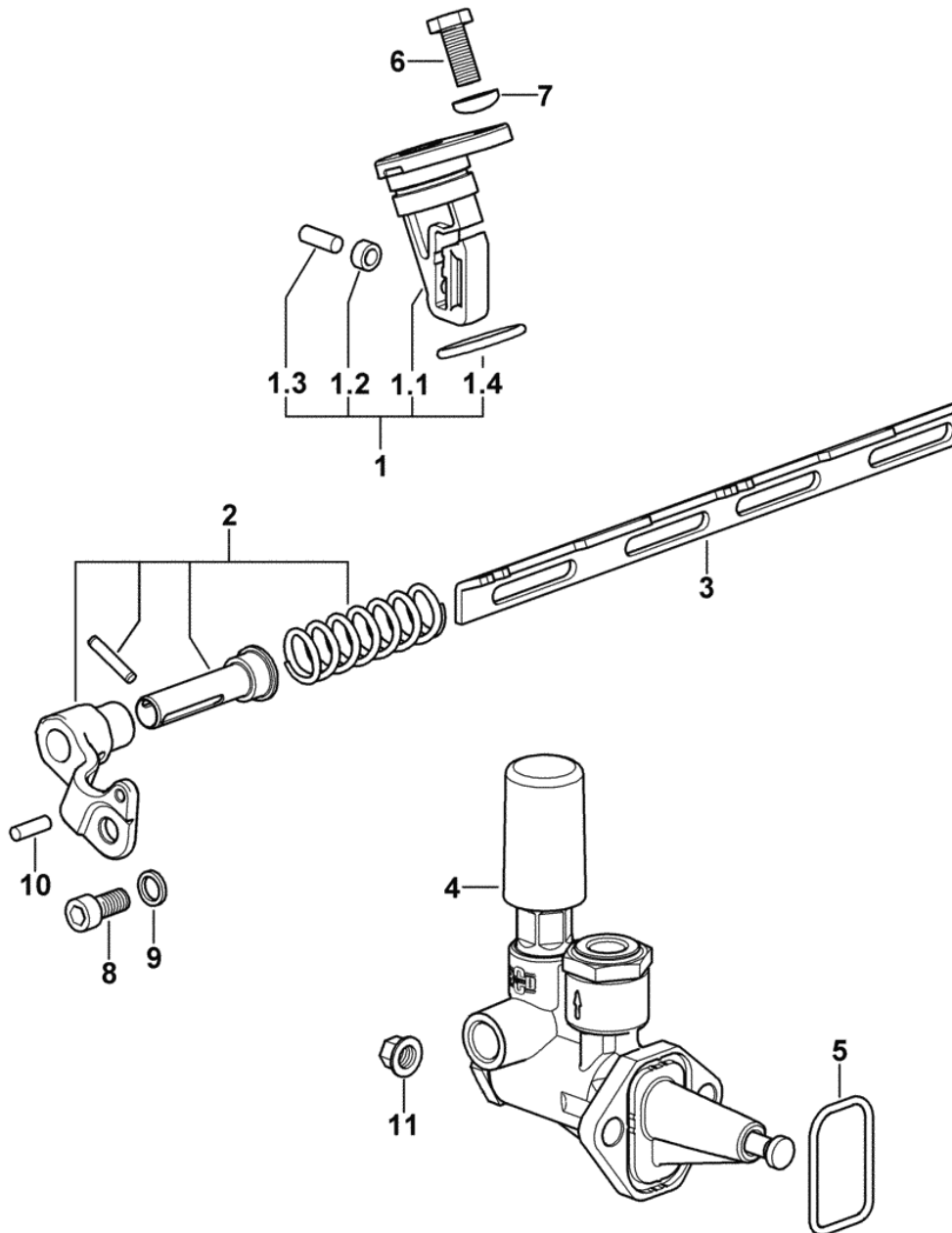
Fig.	Code	QTY	Name
1	2.3119.025.2	1	plug m 18 p.1.5
2	2.1560.016.0	1	gasket 20.2x26



9_33016_09_0_0

Section: ENGINE
FUEL FEED PUMP

Fig.	Code	QTY	Name
1	0.000.0000.1	0	not serviceable
1.1	0.012.5618.0/20	1	support
1.2	0.065.1660.0	1	roller
1.3	2.1651.507.0	1	pin
1.4	2.1530.072.0	1	'o' ring 26.70x1.78
2	0.013.4057.4	1	bracket
3	0.013.0944.3/20	1	rod
4	2.4519.330.0/50	1	feed pump ☞ 583 => 583
5	2.1539.045.0	1	'o' ring 37.77x2.62
6	2.0112.207.2	2	screw m 8 p 1.25x20
7	2.1310.004.2	2	flat washer 8.4x16
8	2.0312.204.2	1	screw m 8 p.1.25x16
9	2.1475.202.2	1	washer 8.4x16
10	2.1631.305.0	1	roll pin 4x12
11	2.1099.159.2/10	2	nut



Section: ENGINE

INJECTION PUMP - INJECTOR

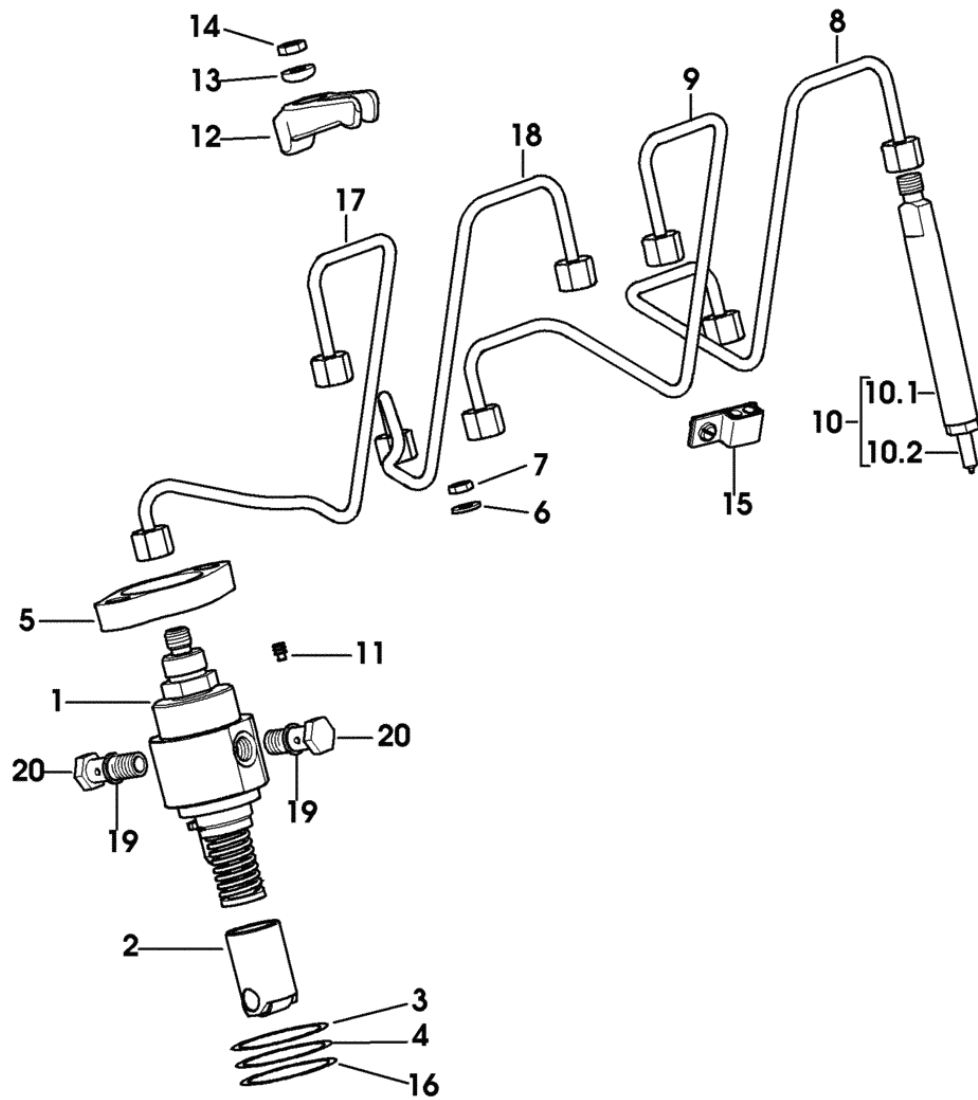


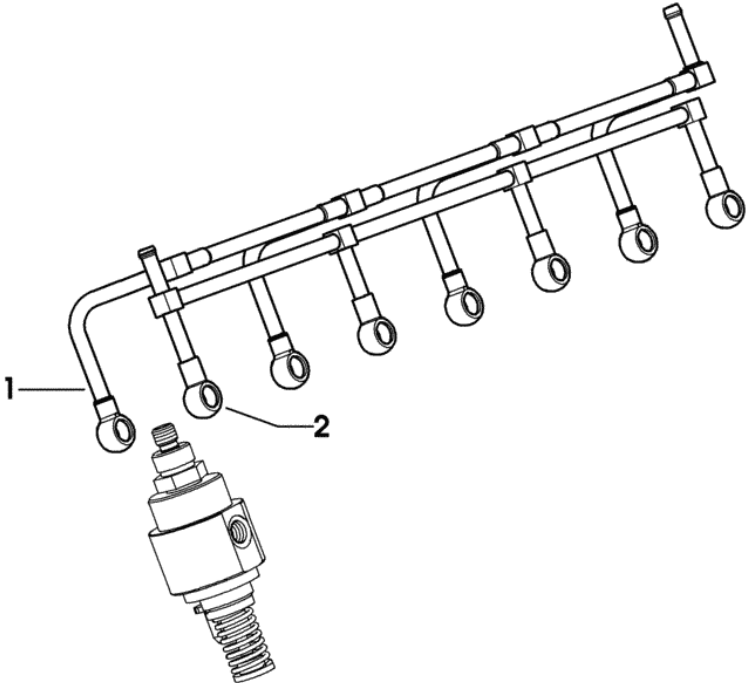
Fig.	Code	QTY	Name
1	2.4619.270.0/10	4	injector pump
2	2.4619.230.0	4	tappets
3	2.1589.303.0	12	shim mm 0.20
4	2.1589.304.0	8	shim mm 0.30
5	0.012.9348.0/20	4	bracket
6	2.1599.458.0/10	8	snoulder 8.4x18x2
7	2.1011.405.2	8	nut m 8 p.1
8	0.013.0021.3	1	tube
9	0.013.0363.3	1	tube
10	2.4719.640.0	4	injector
10.1	2.4719.590.0/10	1	nozzle holder
10.2	2.4729.630.0	1	nozzle
11	2.3199.270.0	4	plug 5.9x7.8
12	0.012.5977.0/20	4	bracket
13	2.1599.454.0	4	snoulder 10.5x17x7.5
14	2.1011.421.2	4	nut M10x1.25
15	0.013.1014.3	2	terminal
16	2.1589.504.0/10	8	shim mm 0.05
17	0.013.3198.3	1	tube
18	0.013.3199.3	1	tube
19	2.1569.213.0	16	washer
20	2.3249.093.2	0	pipe fitting

9_M5216_01_0_0

Section: ENGINE

FUEL PIPES

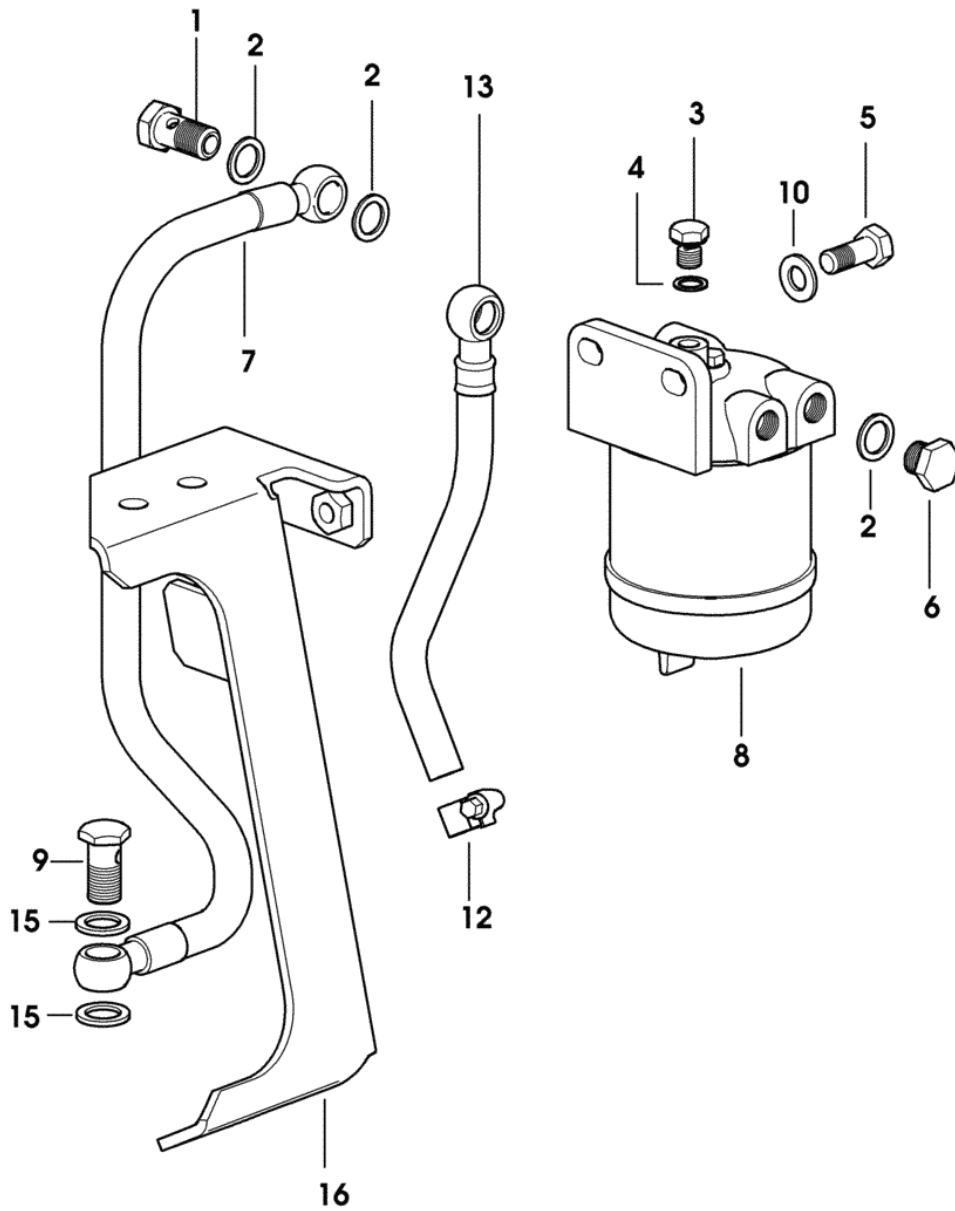
Fig.	Code	QTY	Name
1	0.013.6793.3/20	1	tube
2	0.013.1492.3	1	tube



Section: ENGINE

FUEL FILTER

Fig.	Code	QTY	Name
1	2.3332.004.1	1	pipe union m 14 p.1.5x27
2	2.1560.010.0	5	gasket 14.2x20
3	2.3119.005.2	1	plug m 10 p.1.5
4	2.1560.005.0	1	gasket 10.2x14
5	2.0112.313.2	2	screw m 10 p.1.5x35
6	2.3110.403.1	2	plug m 14 p.1.5
7	0.010.9530.3	1	tube
8	2.4319.060.0/20	1	fuel filter ☞ 584 => 584
9	2.3339.357.2/10	1	pipe union m 14 p.1.5x28
10	2.1310.006.2	2	flat washer 10.5x20
12	2.6851.001.0	1	clamp 16-25
13	0.008.1528.3	1	tube mm 300
15	2.1561.007.0	2	gasket 14,8x22.2
16	0.013.5123.3	1	bracket



Section: ENGINE
THERMO STARTER

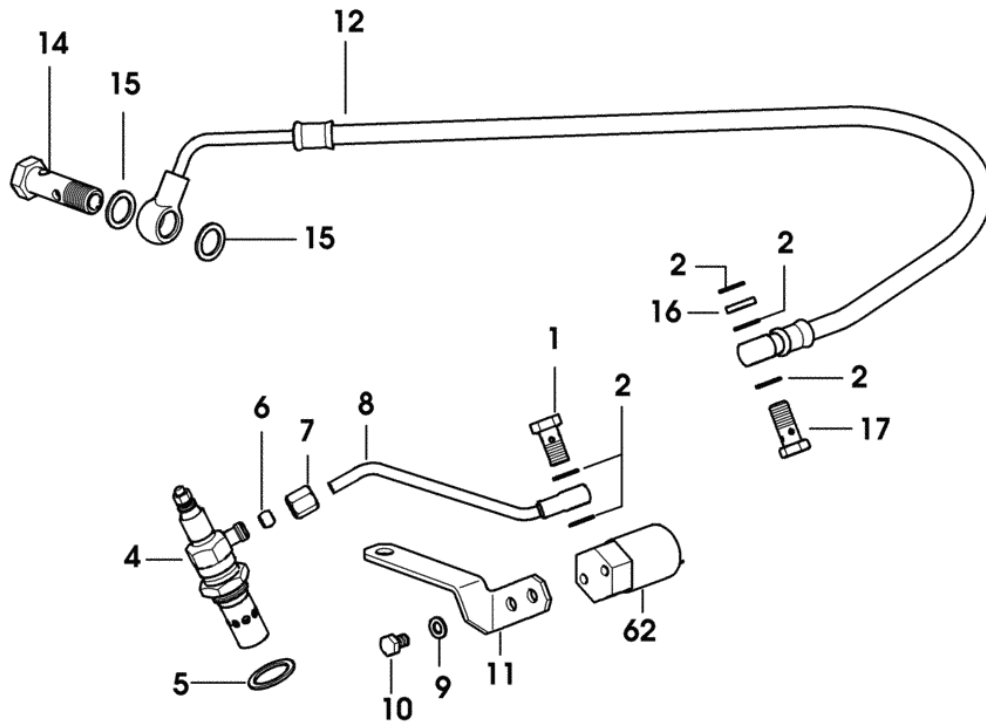
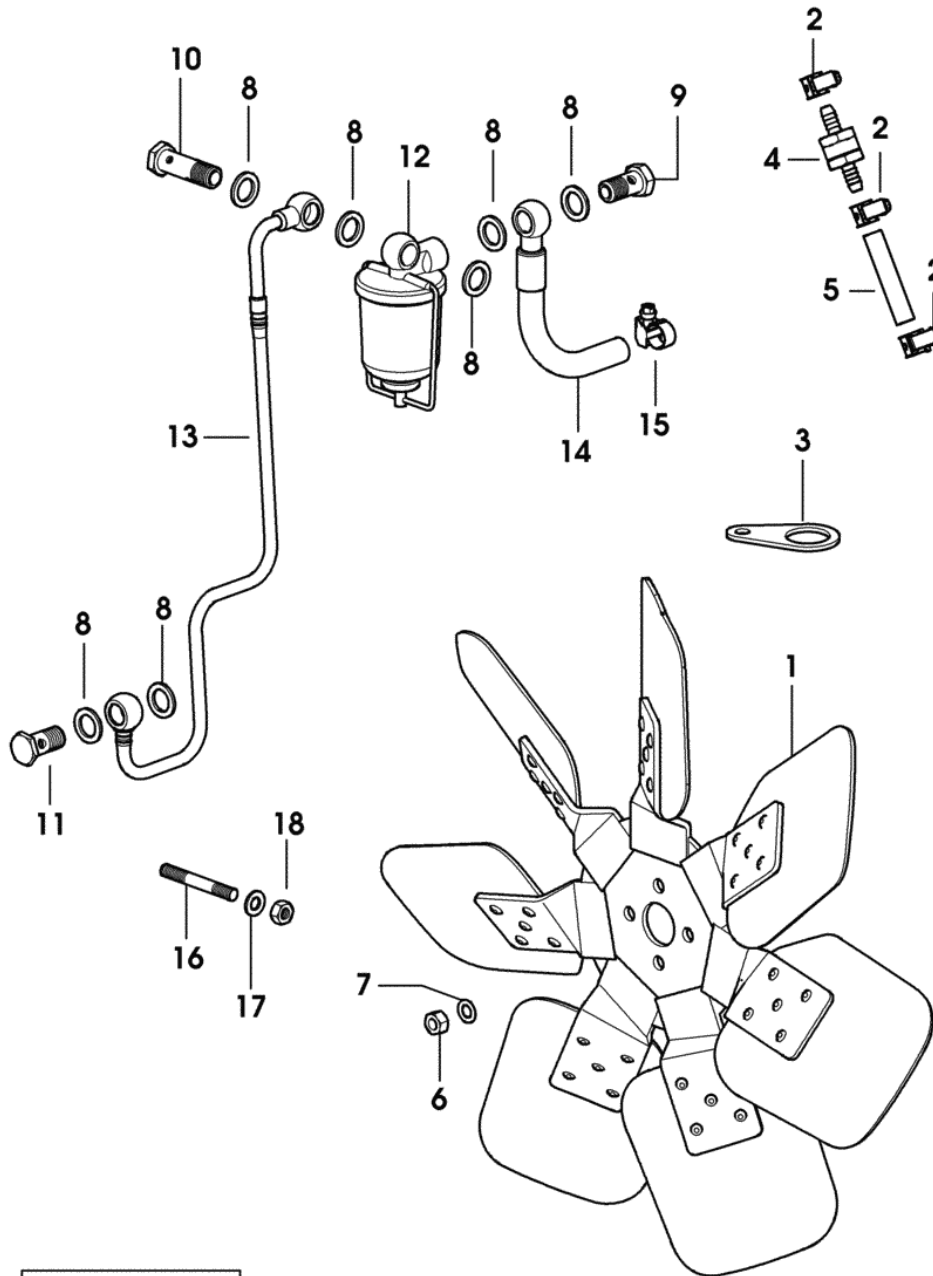


Fig.	Code	QTY	Name
1	2.3339.074.1	1	pipe union m 10 p.1x19
2	2.1560.005.0	5	gasket 10.2x14
4	2.7659.103.0/10	1	thermo-start
5	2.1560.016.0	1	gasket 20.2x26
6	2.3350.002.1	1	nosepiece 6
7	2.3360.002.2	1	nut m 10
8	0.014.2601.3	1	tube
9	2.1470.002.2	2	lock washer 6
10	2.0112.002.2	2	screw m 6 p.1x10
11	0.014.2572.0	1	square
12	0.014.3001.3	1	tube
14	2.3339.040.2	1	pipe union m 14 p.1.5x45
15	2.1560.010.0	2	gasket 14.2x20
16	2.1579.154.2	1	spacer 10.5x16x3
17	2.3335.051.2	1	pipe union
62	2.9219.130.0	1	electro valve 12V

Section: ENGINE
WATER COOLING

Fig.	Code	QTY	Name
1	0.013.2754.0	1	rotor blade
2	2.6851.019.0	3	clamp 13-20
3	0.075.1151.0	1	bracket
4	0.013.8464.4	1	valve
5	0.011.5937.0	0	tube
6	2.1011.305.2	4	nut m 8 p.1
7	2.1470.004.2	4	lock washer 8
8	2.1561.007.0	7	gasket 14,8x22.2
9	2.3332.004.1	1	pipe union m 14 p.1.5x27
10	2.3249.095.2	1	pipe union m 14 p.1.5x45
11	2.3339.357.2/10	1	pipe union m 14 p.1.5x28
12	2.4319.220.0	1	precleaner ↳ 585 => 585
13	0.013.6569.3	1	tube
14	0.007.6792.3	1	tube
15	2.6851.019.0	1	clamp 13-20
16	2.0439.205.0/10	2	stud bolt m 18
17	2.1310.004.2	2	flat washer 8.4x16
18	2.1011.405.2	2	nut m 8 p.1



9_M7119_10_0_0

Section: ENGINE
COOLING WATER PUMP

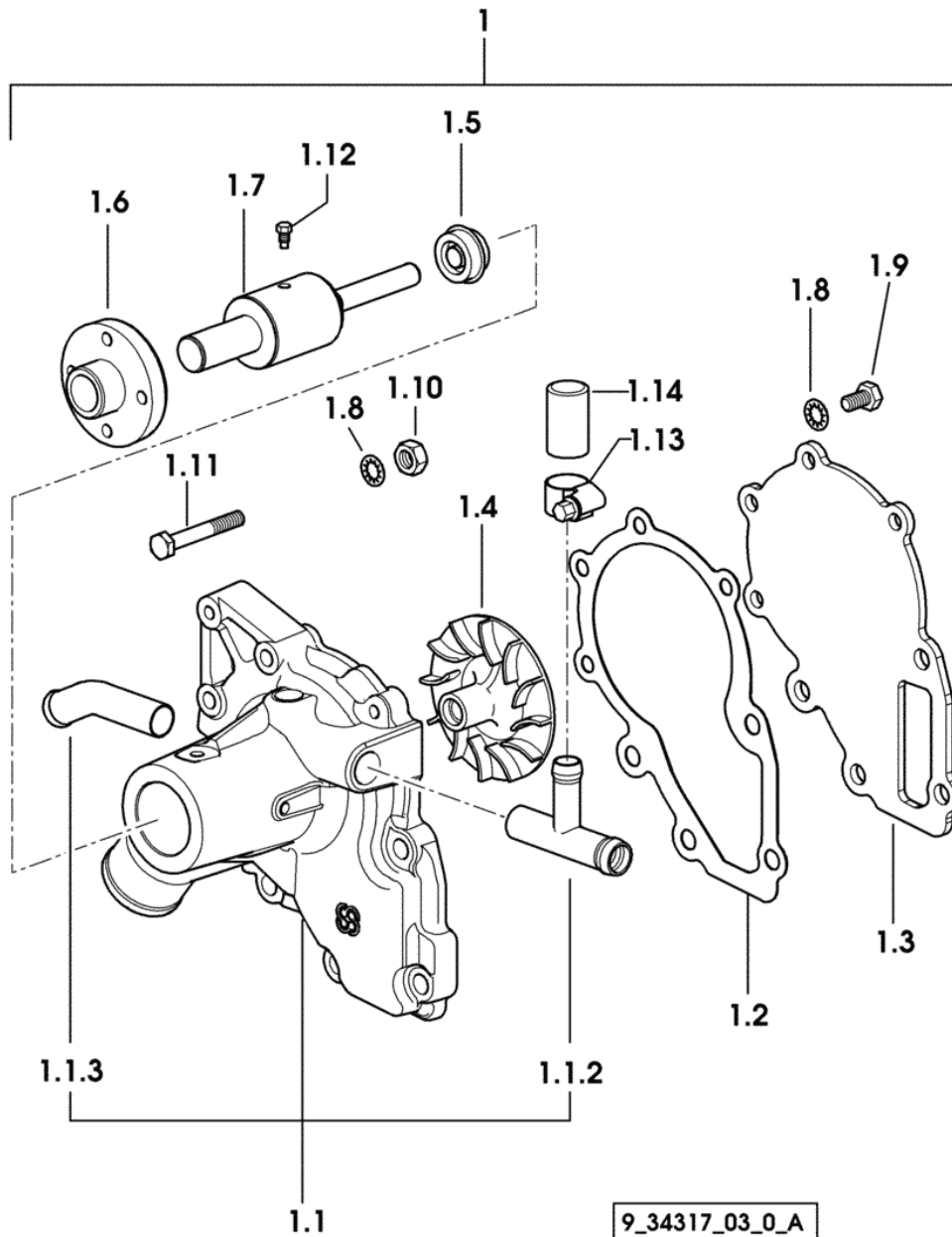
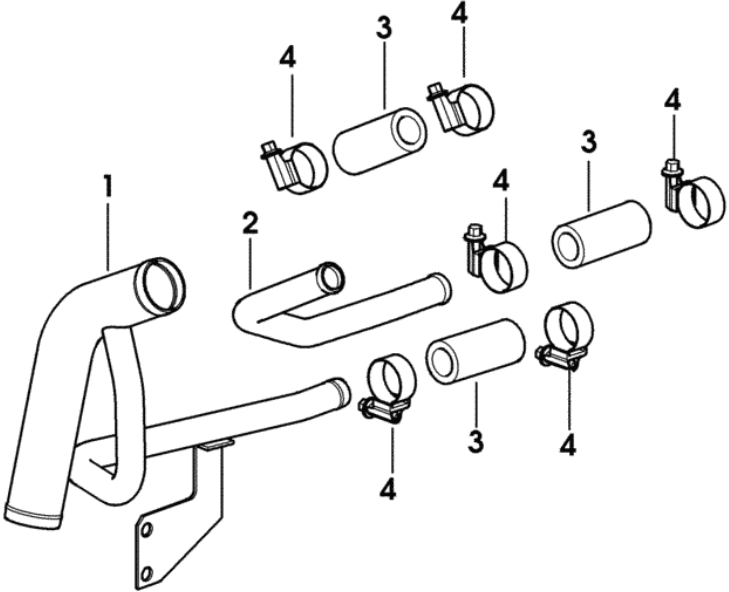


Fig.	Code	QTY	Name
1	0.010.1137.4/30	1	water pump
1.1	0.000.0000.1	0	not serviceable
1.1.2	0.007.1851.2	1	tube
1.1.3	0.082.1751.0	1	tube mm 18
1.2	0.066.1752.0/30	1	gasket
1.3	0.066.1744.0/10	1	plate
1.4	0.000.0000.1	0	not serviceable
1.5	2.1569.200.0	1	'o' ring
1.6	0.010.1139.0/20	1	flange
1.7	0.000.0000.1	0	not serviceable
1.8	2.1470.004.2	4	lock washer 8
1.9	2.0112.207.2	2	screw m 8 p 1.25x20
1.10	2.1011.105.2	2	nut m 8 p.1.25
1.11	2.0112.220.2	2	screw m 8 p.1.25x55
1.12	2.0119.214.2	1	screw
1.13	2.6851.001.0	1	clamp 16-25
1.14	0.007.1809.0/10	1	cap

9_34317_03_0_A

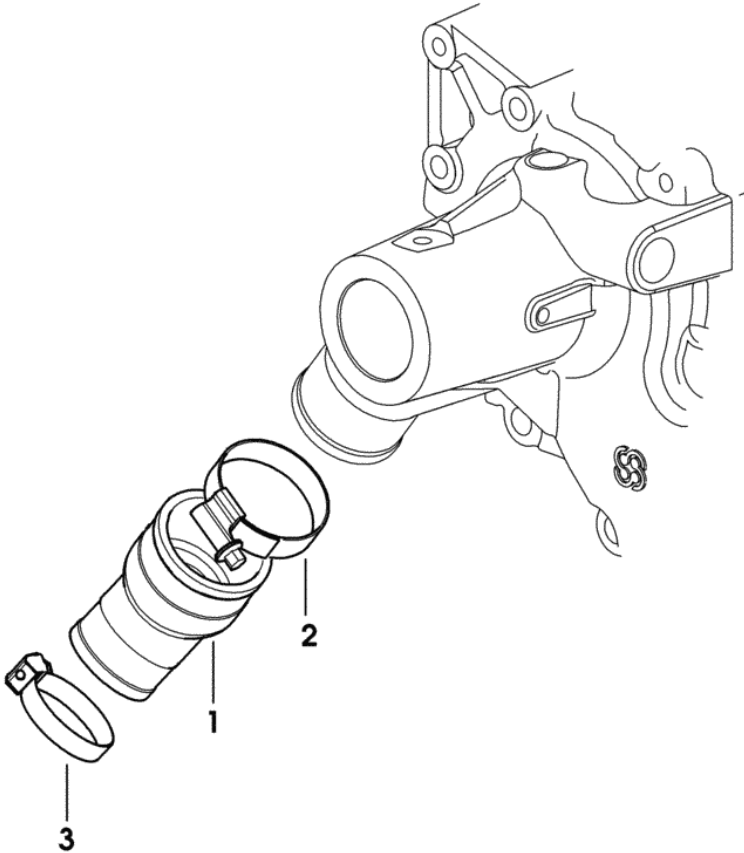
Section: ENGINE
WATER COOLING

Fig.	Code	QTY	Name
1	0.013.4806.2/30	1	tube
2	0.082.1752.0	1	tube
3	0.007.0678.0/10	3	sleeve 18x28x60
4	2.6851.002.0	6	clamp 20-32



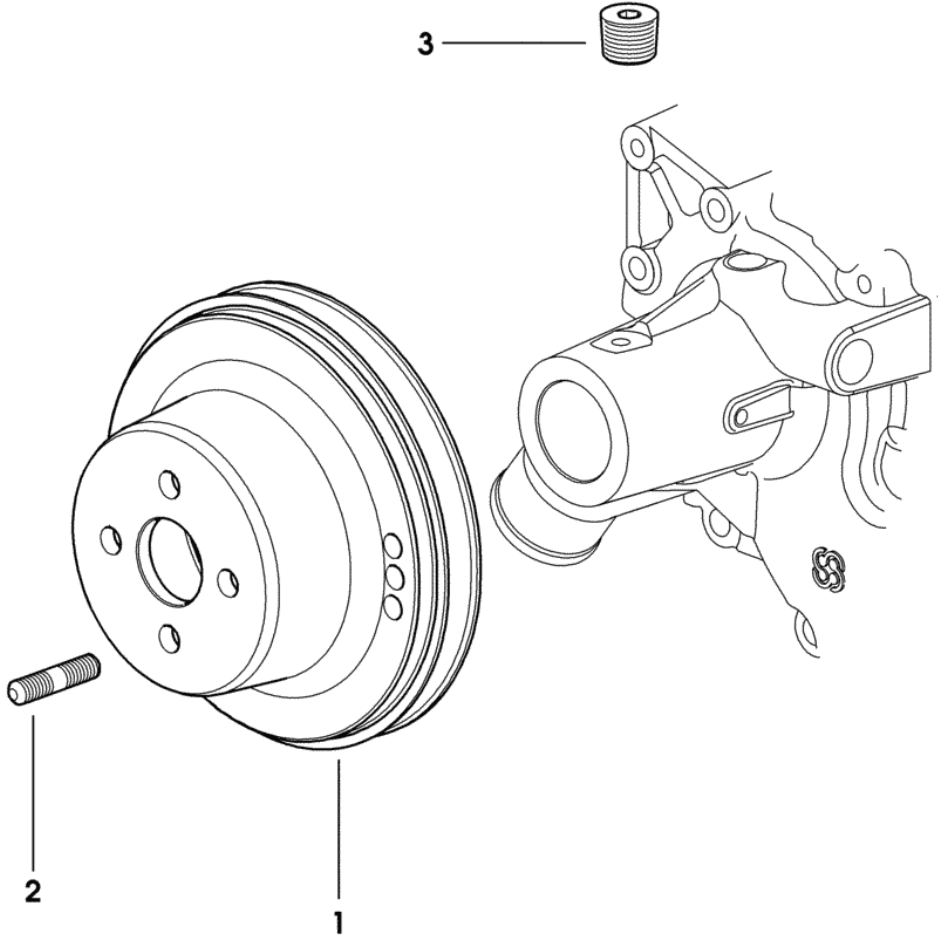
Section: ENGINE
WATER COOLING

Fig.	Code	QTY	Name
1	0.013.4809.0	1	sleeve 1085 <- X EXPLORER 75 T 1014 <- X EXPLORER 75 TB 1059 <- X EXPLORER 85 T 1010 <- X EXPLORER 85 TB 1099 <- X EXPLORER 95 T 1086 <- X EXPLORER 95 TB
1	0.013.4809.0/10	1	sleeve -> 1086 X EXPLORER 75T -> 1015 X EXPLORER 75TB -> 1060 X EXPLORER 85T -> 1011 X EXPLORER 85TB -> 1100 X EXPLORER 95T -> 1087 X EXPLORER 95TB
2	2.6851.005.0	1	clamp 40-60
3	2.6851.004.0	1	clamp 32-50



Section: ENGINE
COOLANT PUMP PULLEY

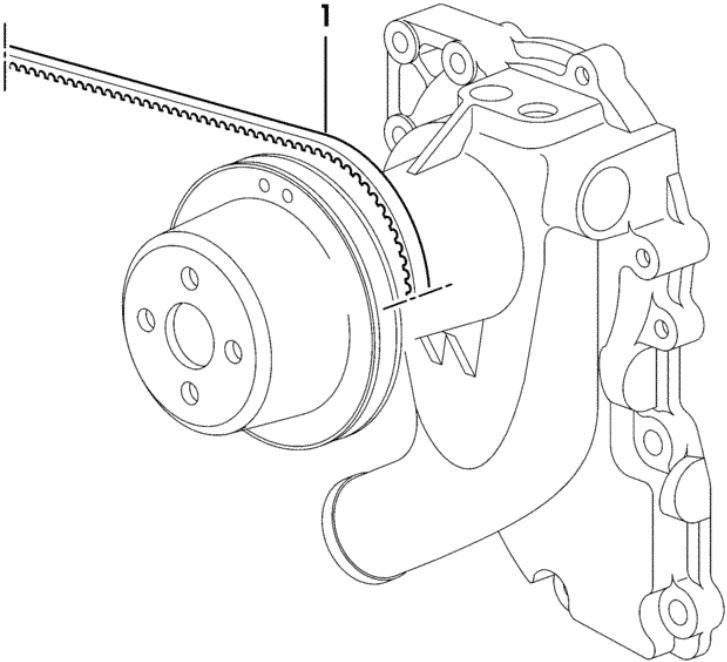
Fig.	Code	QTY	Name
1	0.014.1962.0	1	pulley
2	2.0432.005.7	4	stud bolt m 8 p.1.25-1x25
3	2.3130.003.1	1	plug 3/8 gas



9_M6917_01_0_0

Section: ENGINE
COOLANT PUMP DRIVEBELT

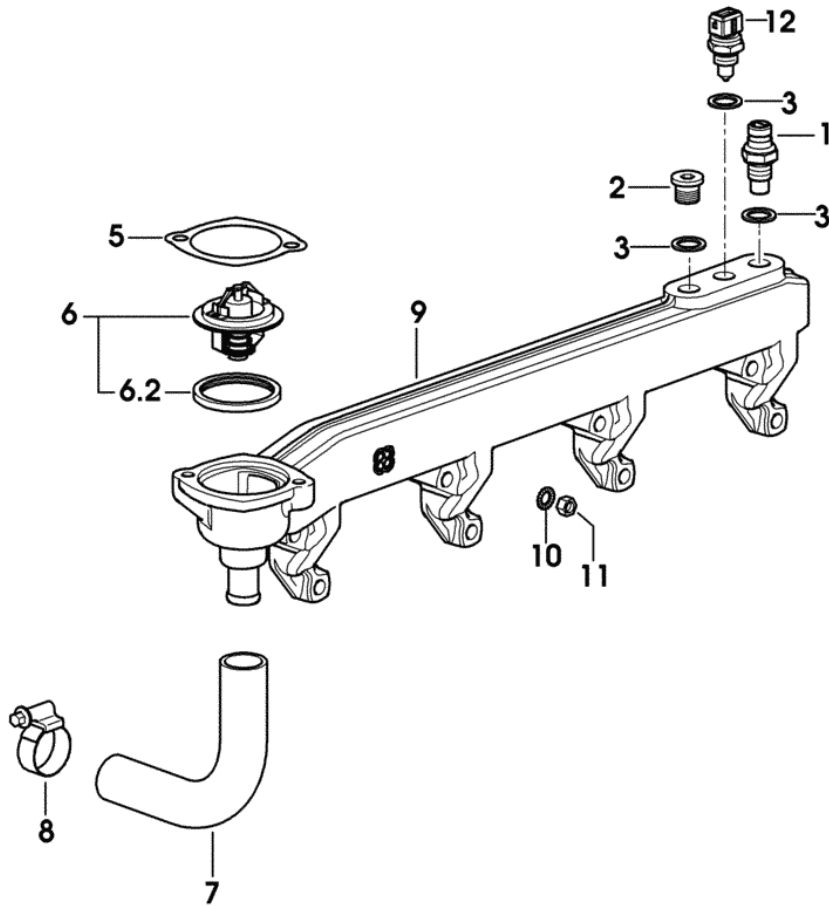
Fig.	Code	QTY	Name
1	2.4119.181.0	1	belt 10X1265



9_38917_09_0_0

COOLING SYSTEM MANIFOLD

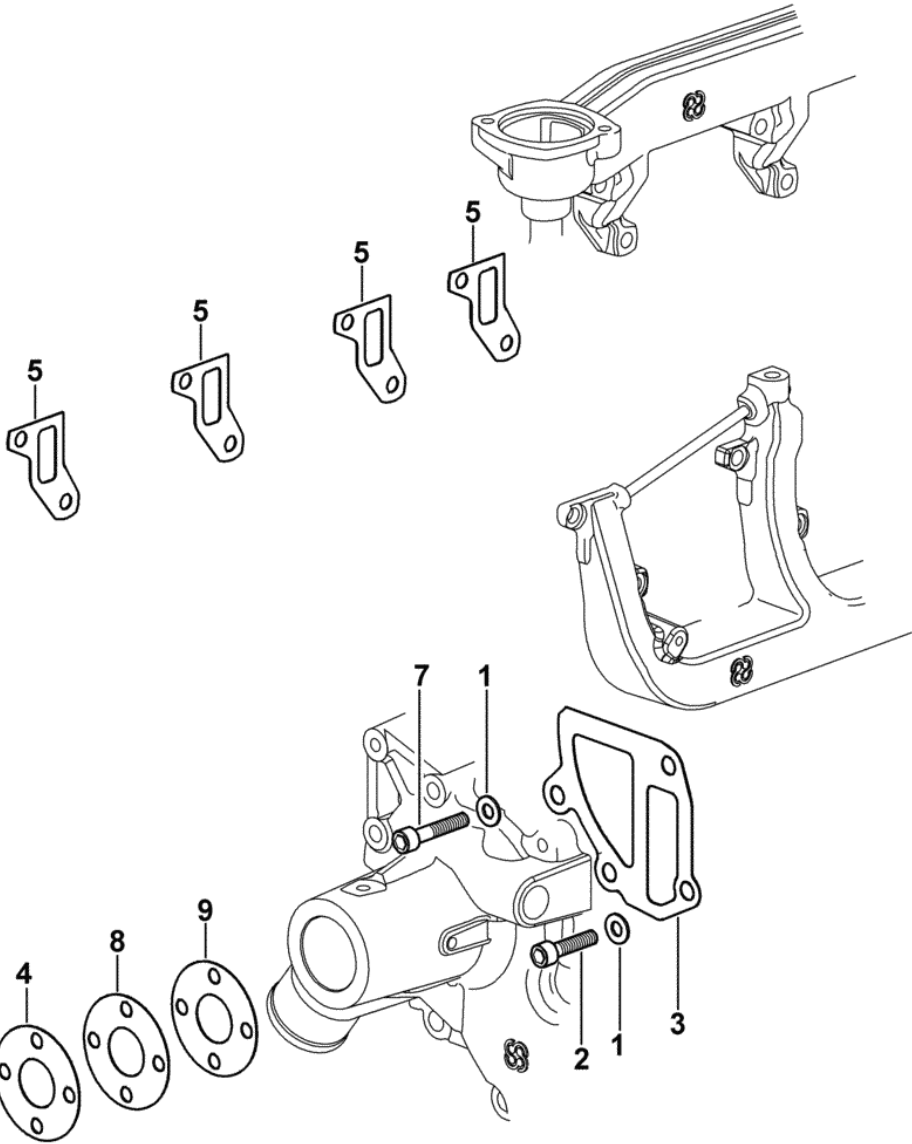
Fig.	Code	QTY	Name
1	2.7099.640.0/10	1	tempe guage
2	2.3120.109.0	1	plug
3	2.1560.010.0	3	gasket 14.2x20
5	0.066.1757.0/30	1	gasket
6	0.007.1258.3/20	1	thermostat
6.2	0.007.1258.0	1	gasket
7	0.007.1852.0	1	sleeve
8	2.6851.003.0	2	clamp 25-40
9	0.013.4501.3/10	1	manifold
10	2.1470.004.2	8	lock washer 8
11	2.1011.305.2	8	nut m 8 p.1
12	2.7099.800.0	1	tempe guage



9_M7017_00_0_0

Section: ENGINE
WATER COOLING -SEALING

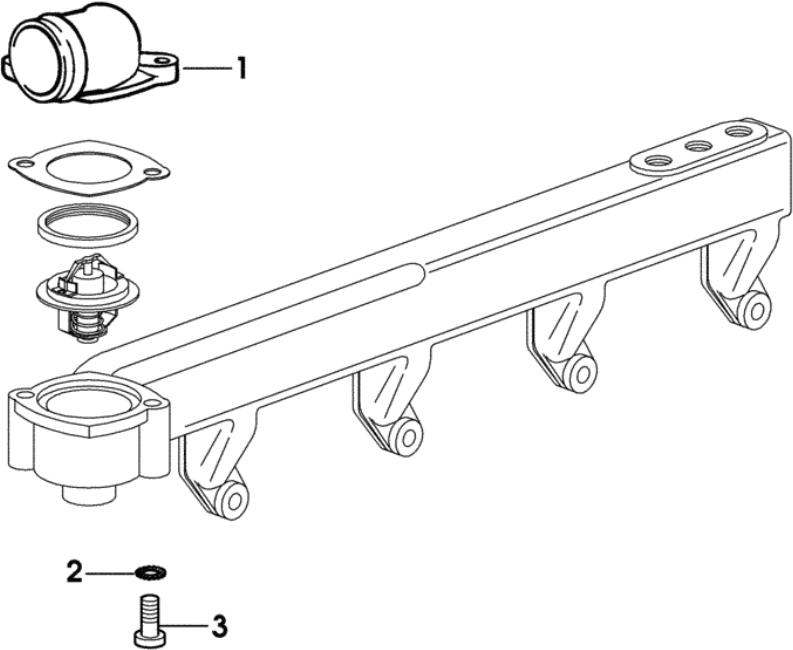
Fig.	Code	QTY	Name
1	2.1480.015.1	4	washer 10
2	2.0313.312.7	3	screw m 10x35
3	0.066.1753.0/20	1	gasket
4	2.1589.130.0	1	shim 29x68x0.5
5	0.066.1759.0/30	4	gasket
7	2.0313.315.7	1	screw m 10x45
8	2.1589.131.0	1	shim 29x68x1
9	2.1589.131.0	2	shim 29x68x1



9_N1517_00_0_0

WATER MANIFOLD COVER

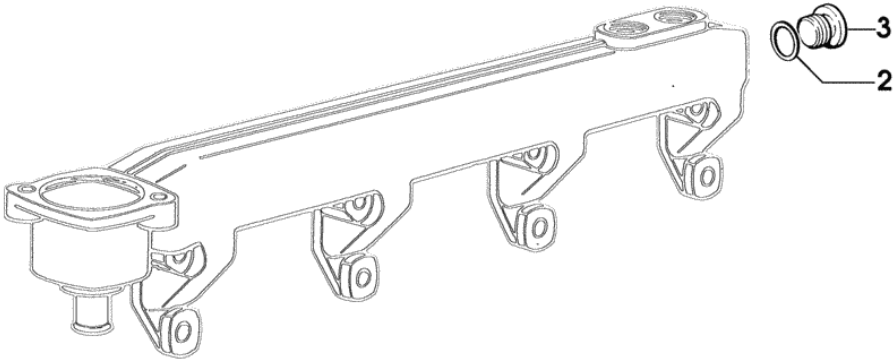
Fig.	Code	QTY	Name
1	0.082.1747.0/20	1	cover
2	2.1470.004.2	2	lock washer 8
3	2.0312.215.2	2	screw m 8 p.1.25x45



9_34517_04_0_0

Section: ENGINE
WATER COOLING

Fig.	Code	QTY	Name
2	2.1560.018.0	1	gasket 22.2x29
3	2.3120.002.4	1	plug m 22 p.1.5



9_34317_03_0_B

Section: ENGINE
INTAKE AND EXHAUST

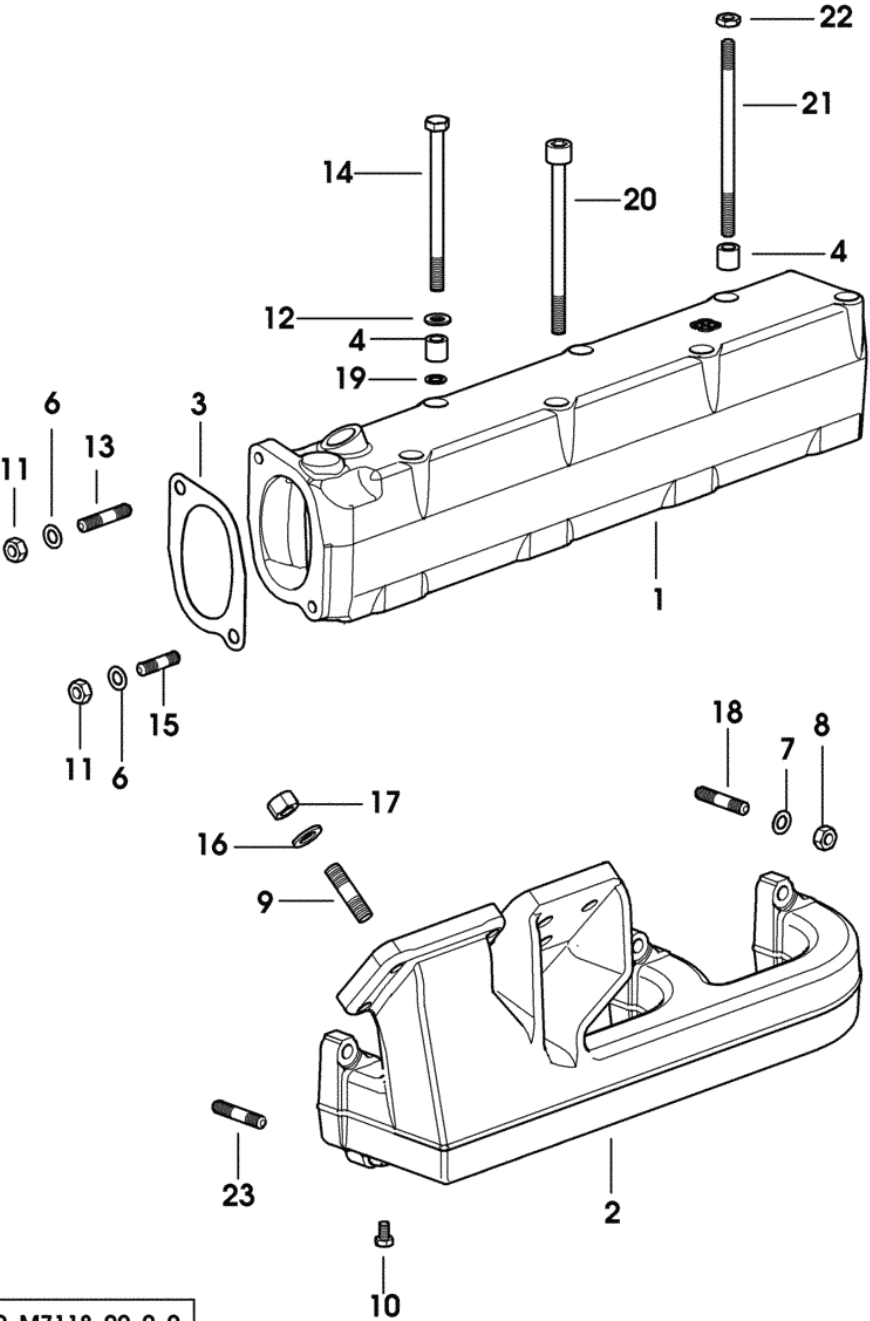
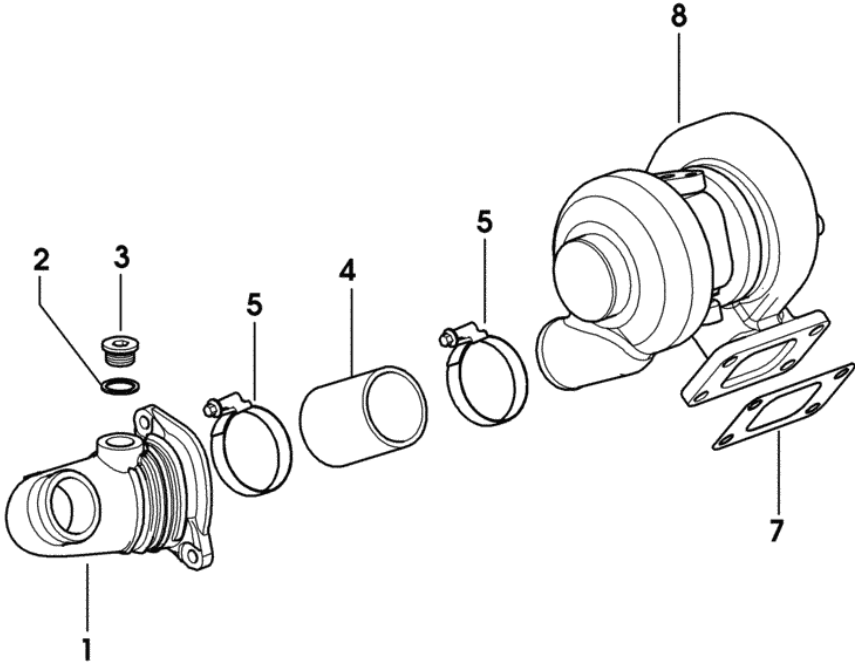


Fig.	Code	QTY	Name
1	0.014.0868.0	1	air intake manifold
2	0.007.0785.0/10	1	exhaust manifold
3	0.081.1854.0/30	1	gasket
4	2.1579.825.2	3	spacer 8.3x13.5x13
6	2.1470.004.2	2	lock washer 8
7	2.1474.009.2	8	spring washer 8
8	2.1019.033.0	8	special nut m 8 p.1
9	2.0432.155.7	4	stud bolt m 10 p.1.5-1.25x25
10	2.0119.121.0	4	screw m 6x10
11	2.1011.405.2	2	nut m 8 p.1
12	2.1310.004.2	1	flat washer 8.4x16
13	2.0432.007.2	1	stud bolt m 8 p.1.25-1x30
14	2.0112.231.2	1	screw m 8 p.1.25x110
15	2.0439.060.2	1	stud bolt m 8 p.1.25-1x22
16	2.1475.003.7	4	washer 10.5x20
17	2.1019.071.0	4	special nut m 10 p 1.25
18	2.0432.007.2	7	stud bolt m 8 p.1.25-1x30
19	2.1480.014.1	6	washer 8
20	2.0312.226.2	5	screw m 8 p.1.25x100
21	2.0432.027.7	2	stud bolt m 8 p 1.25-1x120
22	2.1011.105.2	2	nut m 8 p.1.25
23	2.0432.009.7	1	stud bolt m 8 p.1.25-1x35

9_M7118_00_0_0

Section: ENGINE
TURBOCHARGER

Fig.	Code	QTY	Name
1	0.081.1850.0/10	1	flange
2	2.1560.016.0	1	gasket 20.2x26
3	2.3199.103.2	1	plug m 20 p.1.5
4	0.074.1855.0	1	sleeve
5	2.6851.006.0	2	clamp 50-70
7	0.071.1860.0	1	gasket
8	0.013.6132.4	1	turbo charger

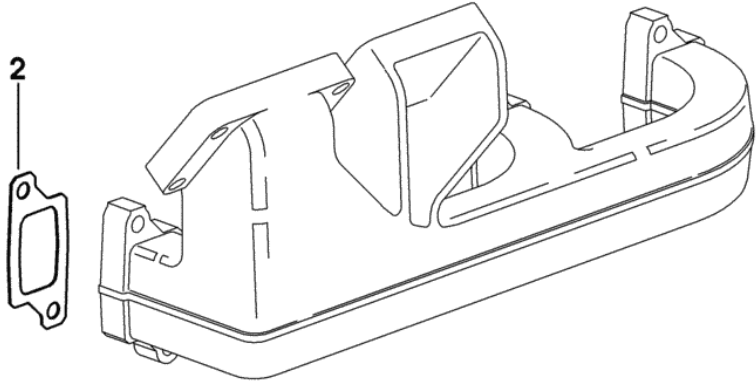
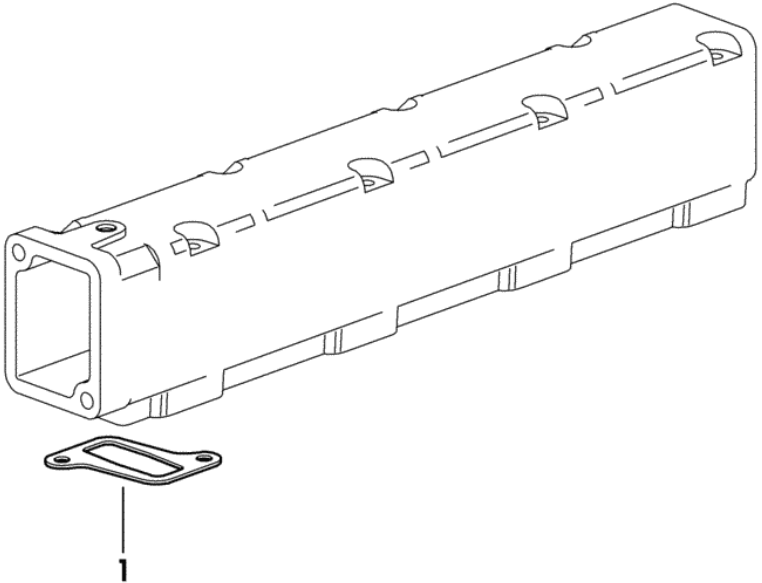


9_34418_03_0_0

Section: ENGINE
INTAKE AND EXHAUST MANIFOLD GASKETS

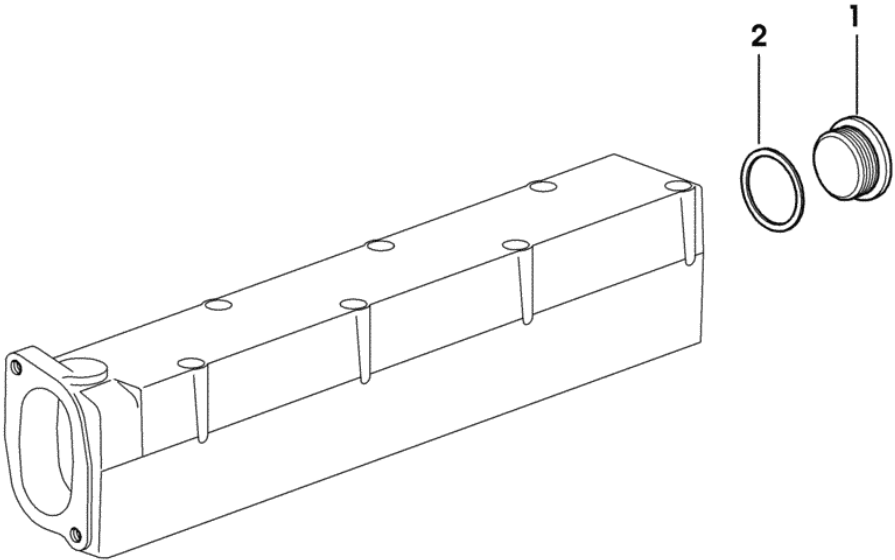
9_33218_00_0_0

Fig.	Code	QTY	Name
1	0.011.1304.0/10	4	gasket
2	0.007.1445.0	4	gasket



Section: ENGINE
INLET MANIFOLD PLUG

Fig.	Code	QTY	Name
1	2.3120.106.0	1	plug m 40 p.1.5
2	2.1560.028.0	1	gasket 40.3x47



9_33418_08_0_0

Section: ENGINE
EXHAUST SILENCER

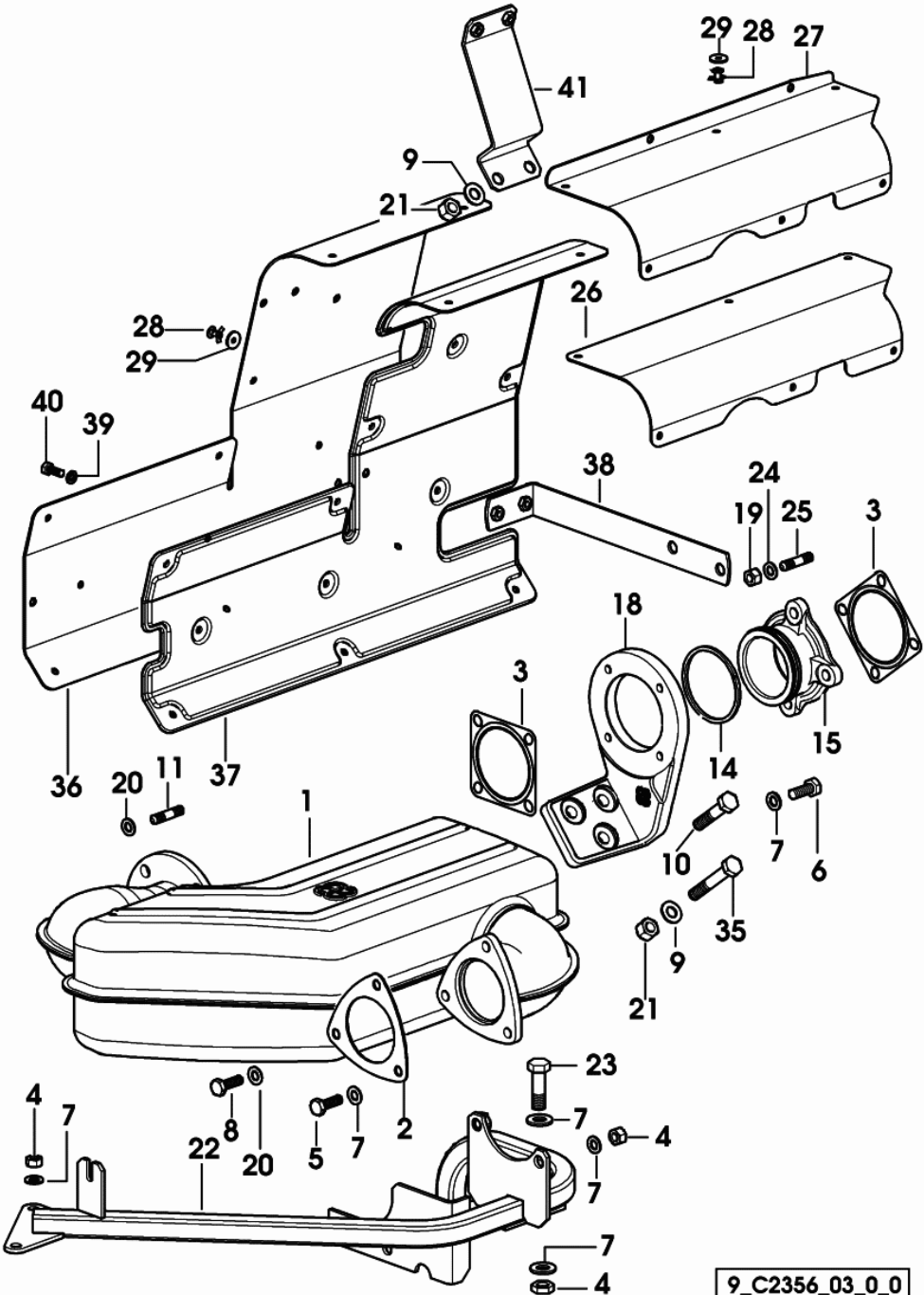


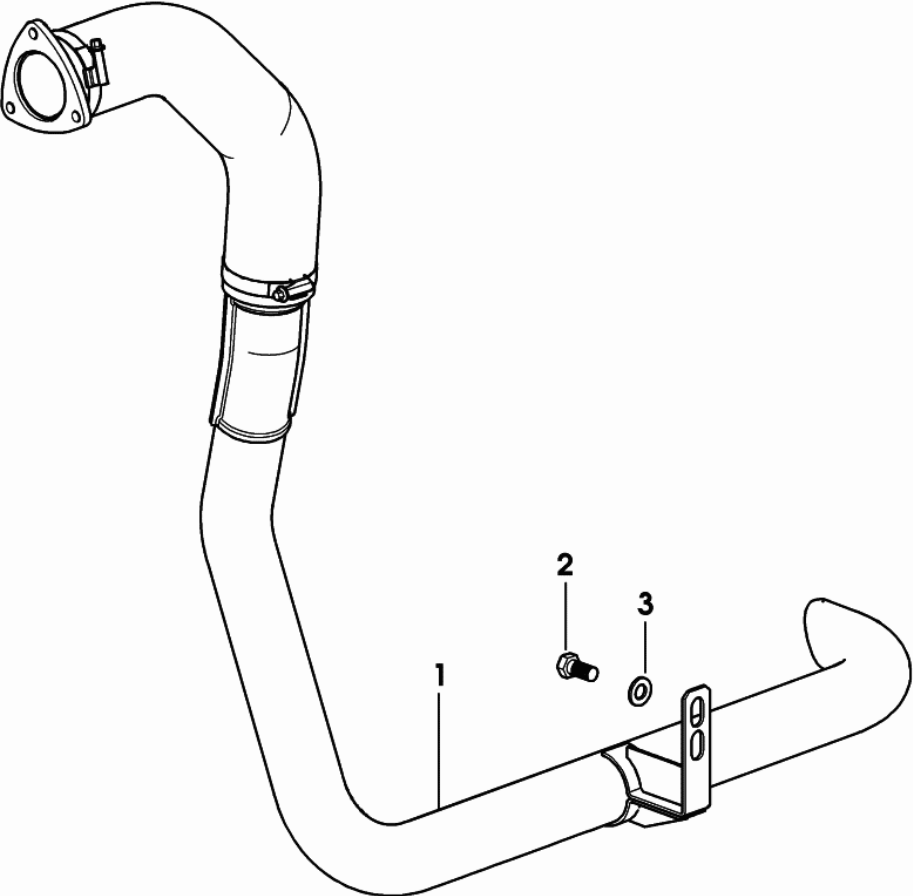
Fig.	Code	QTY	Name
1	0.013.4962.3/40	1	exhaust silencer
2	0.014.3014.0	1	gasket
3	0.007.0987.0/10	2	gasket
4	2.1011.105.2	6	nut m 8 p.1.25
5	2.0112.211.2	1	screw m 8 p.1.25x30
6	2.0112.205.2	2	screw m 8 p.1.25x16
7	2.1310.004.2	13	flat washer 8.4x16
8	2.0112.213.2	2	screw m 8 p.1.25x35
9	2.1475.003.7	8	washer 10.5x20
10	2.0119.196.0	1	screw m 10 p.1.25x26x40
11	2.0119.009.0	4	stud bolt
14	0.001.2934.0	1	piston ring
15	0.008.8127.0	1	sleeve
18	0.013.9800.0	1	bracket
19	2.1019.033.0	4	special nut m 8 p.1
20	2.1474.009.2	4	spring washer 8
21	2.1019.071.0	5	special nut m 10 p 1.25
22	0.013.5420.3/30	1	bracket
23	2.0112.213.2	2	screw m 8 p.1.25x35
24	2.1475.002.2	4	conical washer 8.4x16
25	2.0439.137.7	4	stud bolt m 8x25
26	0.014.3007.0	1	guard
27	0.014.3038.0/10	1	division
28	2.1851.005.0	19	rivet
29	2.1312.002.2	19	washer 5.3x15
35	2.0129.067.0/10	2	screw m 10 p.1.25x60
36	0.014.3326.0/10	1	shield
37	0.014.3333.0/10	1	division
38	0.014.3467.3	1	bracket
39	2.1470.002.2	5	lock washer 6
40	2.0112.005.2	5	screw m 6 p.1x16
41	0.014.4624.3	1	bracket

-> 1050 X EXPLORER 85T
-> 1064 X EXPLORER 95T

9_C2356_03_0_0

Section: ENGINE
EXHAUST SILENCER

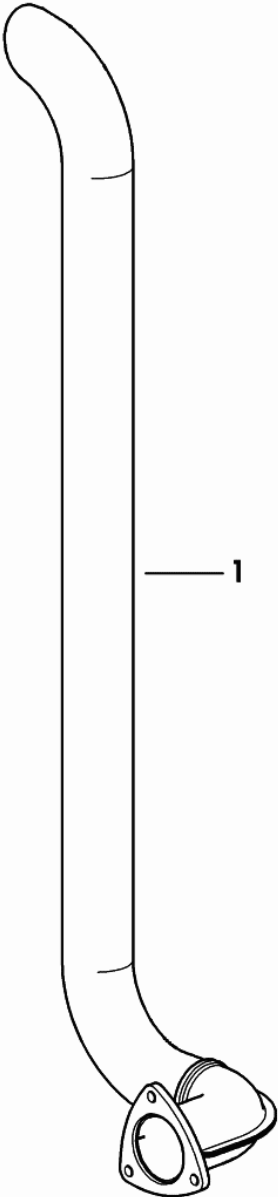
Fig.	Code	QTY	Name
1	0.013.5090.2/50	1	tube
2	2.0112.409.2	1	screw m 12 p.1.75x25
3	2.1310.007.2	1	flat washer 13x24



9_C2356_01_0_0

Section: ENGINE
SIDE EXHAUST SILENCER

Fig.	Code	QTY	Name
1	0.013.5556.2/30	1	tube



9_C2356_02_0_0

Section: ENGINE

GASKET SET FOR ENGINE ASSEMBLY

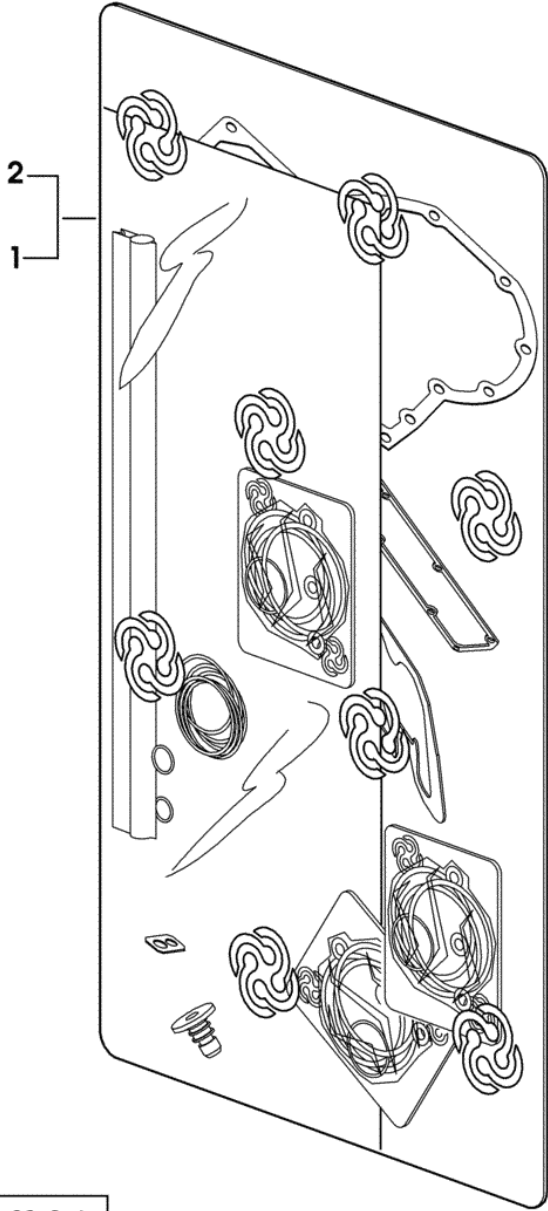


Fig.	Code	QTY	Name
1	0.051.0050.6	1	gasket set X EXPLORER 75T 75TB 85T 85TB
2	0.330.0050.6	1	gasket set X EXPLORER 95T 95TB

9_STAC22_00_0_A

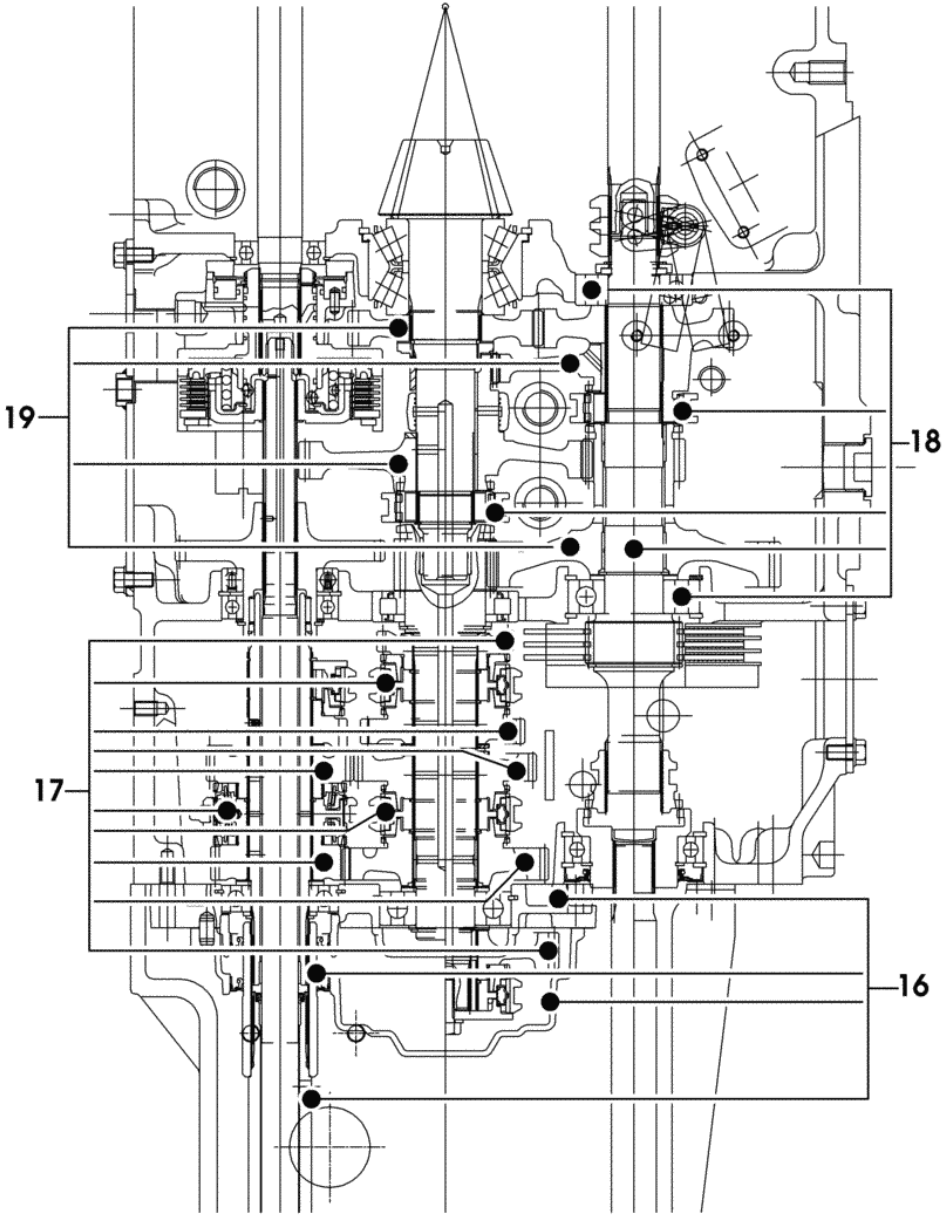
EXPLORER 85 T

GEAR

GEAR CHANGE BOX 5 SPEED.....	87
GEAR CHANGE BOX 5 SPEED SYNCRO POWER.....	88
CLUTCH 13".....	90
CLUTCH CONTROL.....	91
CLUTCH CONTROL.....	92
REAR GEARBOX CASE.....	94
COVER.....	95
COMPLETION 2wd.....	98
REAR GEARBOX BRACKETS.....	100
GEAR CHANGE BOX 5 SPEED.....	107
GEAR CHANGE BOX 5 SPEED.....	108
GEAR CHANGE BOX 5 SPEED.....	109
GEAR CHANGE BOX 5 SPEED SYNCRO POWER.....	110
GEAR CHANGE BOX 5 SPEED SYNCRO POWER.....	111
GEAR CHANGE BOX 5 SPEED SYNCRO POWER.....	112
GEAR CHANGE BOX 5 SPEED SYNCRO POWER.....	113
5 SPEED GEARBOX WITH MINI REDUCTION GEAR.....	114
5 SPEED GEARBOX WITH MINI REDUCTION GEAR.....	115
5 SPEED GEARBOX WITH MINI REDUCTION GEAR.....	116
5 SPEED GEARBOX WITH MINI REDUCTION GEAR.....	117
2-RANGE BOX.....	121
3-RANGE BOX.....	124
4-RANGE BOX.....	126
GEARSHIFT LEVER.....	127
GEARSHIFT LEVER - FOR TYPES WITHOUT UNDERDRIVE.....	129
GEARSHIFT LEVER - FOR TYPES WITH MINREDUCTION.....	131
GEAR LEVER KNOB CAP.....	133
SYNCHROMESH SPLITTER COVER.....	134
GEARSHIFT LEVER - FOR SYNCRO POWER TYPES.....	135
REVERSING GEAR UNIT CONTROL.....	136
REVERSING GEAR UNIT CONTROL.....	137
SPEED RANGE REDUCTION GEAR UNIT.....	139
BEVEL WHEEL GEAR 30 Km/h.....	142
BEVEL WHEEL GEAR 40 Km/h.....	144
DIFFERENTIAL.....	147
DIFFERENTIAL LOCK.....	150
DIFFERENTIAL LOCK CONTROL - MECHANICAL.....	151
DIFFERENTIAL LOCK CONTROL.....	154

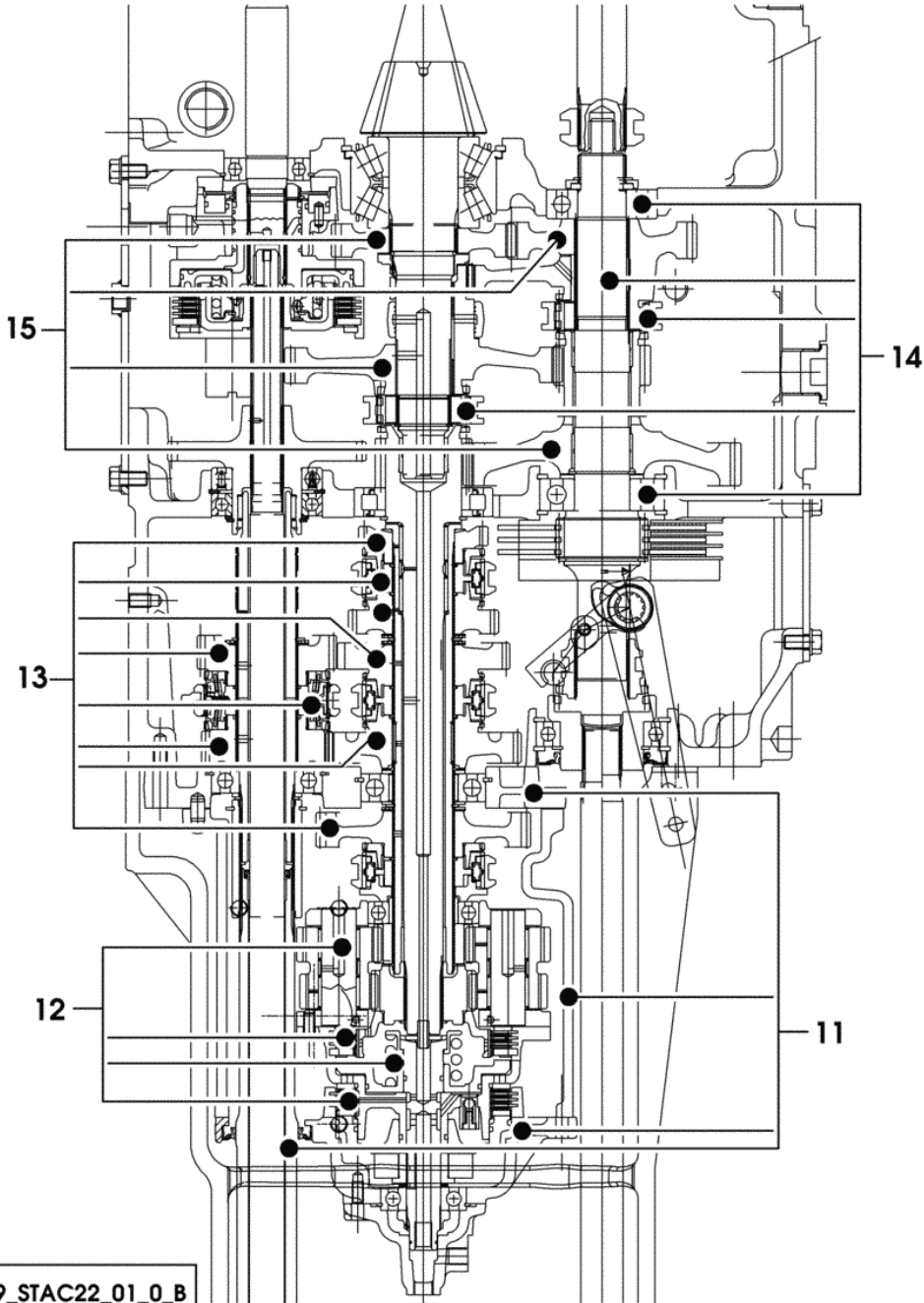
Section: GEAR
GEAR CHANGE BOX 5 SPEED

Fig.	Code	QTY	Name
16	0.000.0000.1	-	not serviceable ☞ 107 => 107
17	0.000.0000.1	-	not serviceable ☞ 108 => 108
18	0.000.0000.1	-	not serviceable ☞ 121 => 121
19	0.000.0000.1	-	not serviceable ☞ 124 => 124



Section: GEAR
GEAR CHANGE BOX 5 SPEED SYNCRO POWER

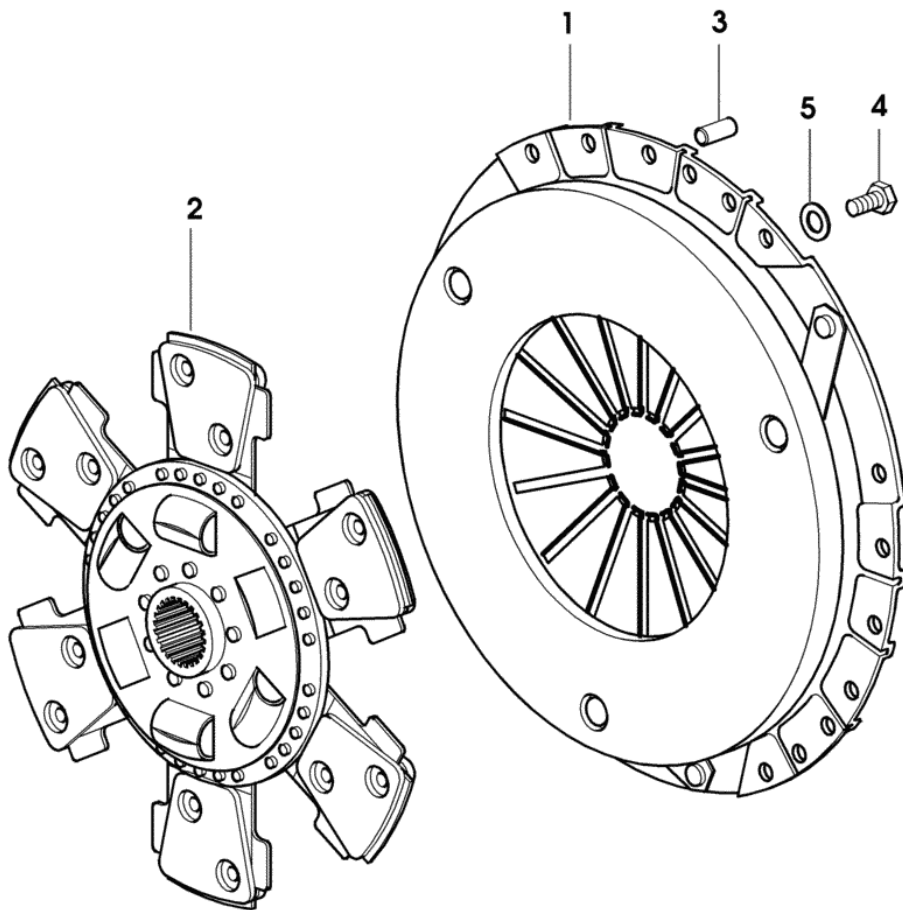
Fig.	Code	QTY	Name
11	0.000.0000.1	-	not serviceable ☞ 110 => 110
12	0.000.0000.1	-	not serviceable ☞ 111 => 111
13	0.000.0000.1	-	not serviceable ☞ 112 => 112
14	0.000.0000.1	-	not serviceable ☞ 121 => 121
15	0.000.0000.1	-	not serviceable ☞ 124 => 124



9_STAC22_01_0_B

Section: GEAR
CLUTCH 13"

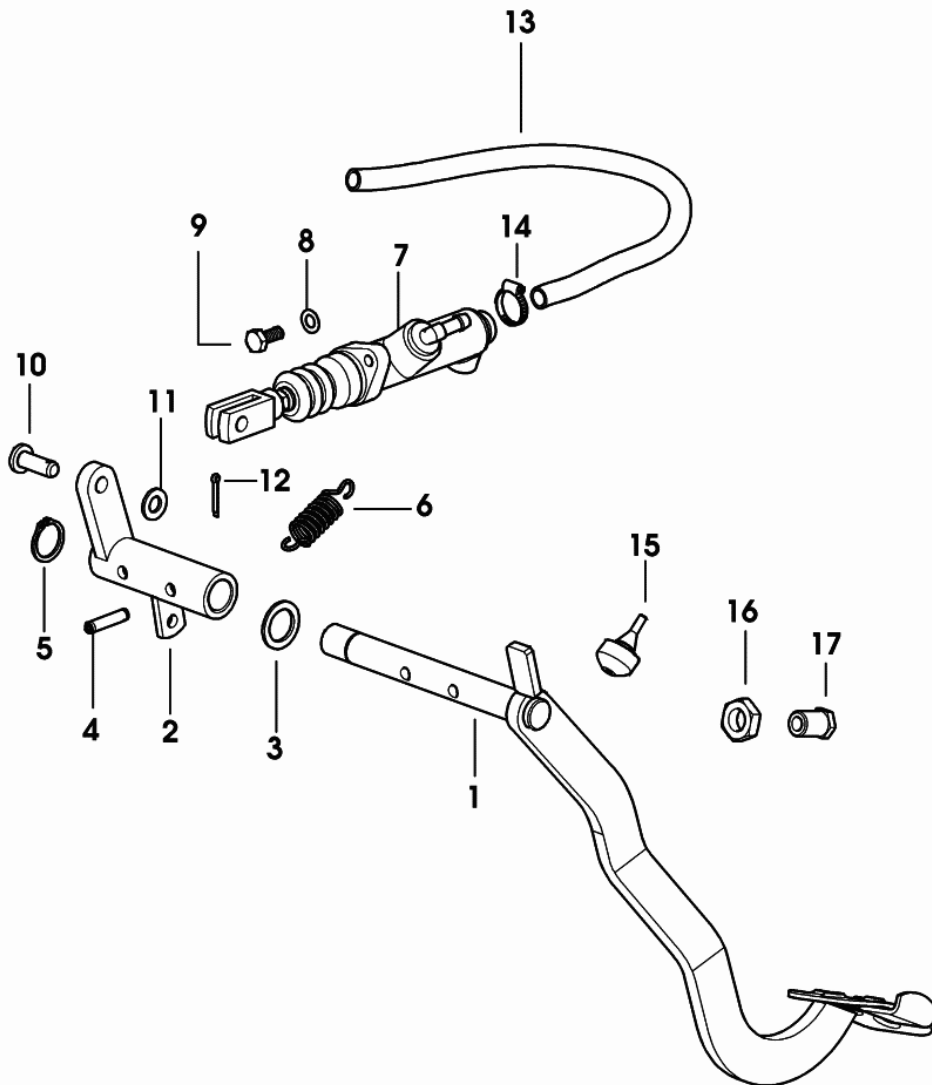
Fig.	Code	QTY	Name
1	0.010.8764.3/10	1	clutch assy
2	0.014.1112.3	1	clutch disc 13"
3	2.1699.173.0	3	pin 7.9x18
4	2.0313.206.7	8	screw m 8 p.1.25x20
5	2.1480.014.1	8	washer 8



9_62323_00_0_0

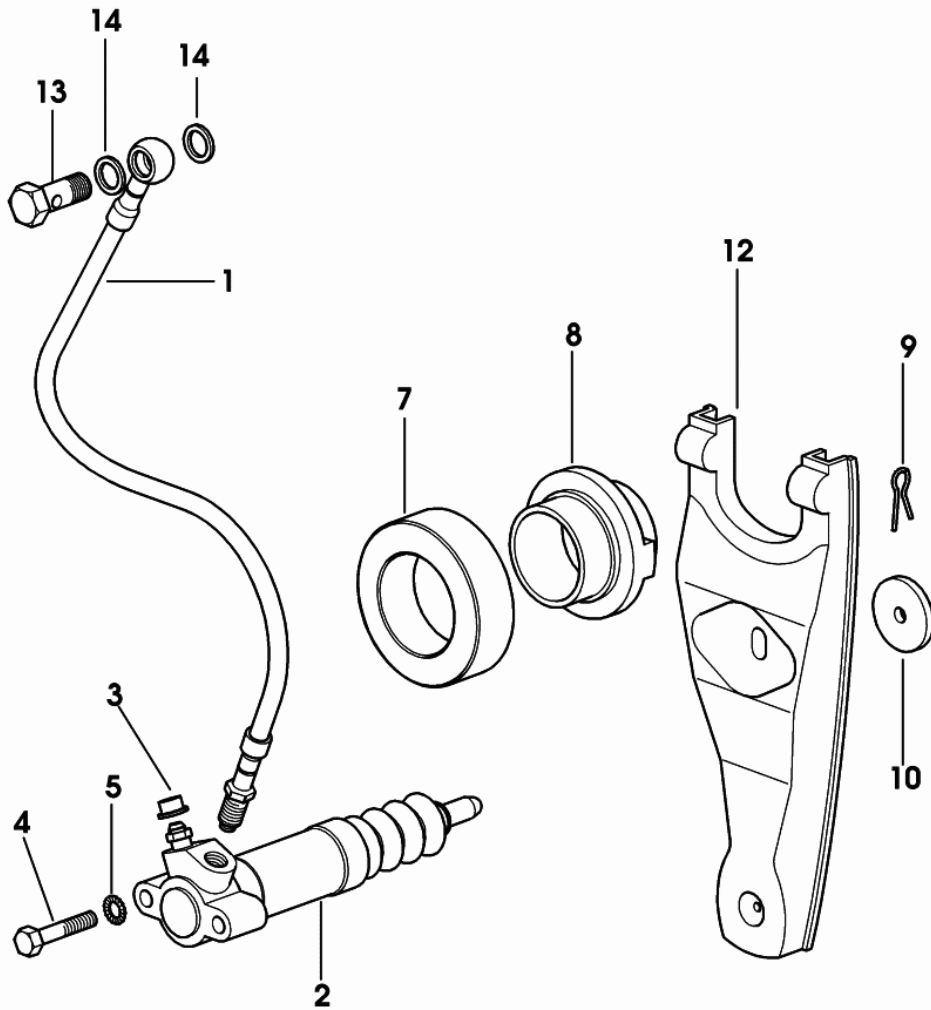
Section: GEAR
CLUTCH CONTROL

Fig.	Code	QTY	Name
1	0.014.1528.3/10	1	pedal
2	0.014.1523.2/10	1	lever
3	2.1599.399.0	1	washer 20.5x31x2
4	2.1632.715.2	2	pin
5	2.1410.006.1	1	circlip 20
6	2.4049.161.2	1	spring 18x41x2
7	0.255.6538.4/50	1	pump ☞ 586 => 586
8	2.1470.004.2	2	lock washer 8
9	2.0112.206.2	2	screw m 8 p.1.25x18
10	2.1671.408.2	1	pin 10x30
11	2.1310.006.2	1	flat washer 10.5x20
12	2.1690.308.2	1	split pin 3.2x20
13	0.012.6343.0	0	tube
14	2.6857.019.0	2	clamp 14
15	0.010.1532.0	1	block
16	2.1011.509.2	1	nut m 16 p.1.5
17	0.012.5596.0/20	1	bushing



Section: GEAR
CLUTCH CONTROL

Fig.	Code	QTY	Name
1	0.014.2498.3	1	tube
2	0.255.6537.4/60	1	cylinder ☞ 587 => 587
3	2.3199.039.0	1	plug 6.5x7.25
4	2.0112.215.2	2	screw m 8 p.1.25x40
5	2.1470.004.2	2	lock washer 8
7	2.2999.475.0	1	bearing 55x90x22
8	0.255.6533.0/30	1	support
9	2.1690.206.2	1	split pin 2x16
10	2.1599.496.0/10	1	snoulder 8x40x5
12	0.255.6532.0/10	1	fork
13	2.3339.431.2/10	1	pipe union m 12 p.1.25
14	2.1560.008.0	2	gasket 12.2x18



9_C2365_03_0_0

Section: GEAR
REAR GEARBOX CASE

9_C2331_00_0_0

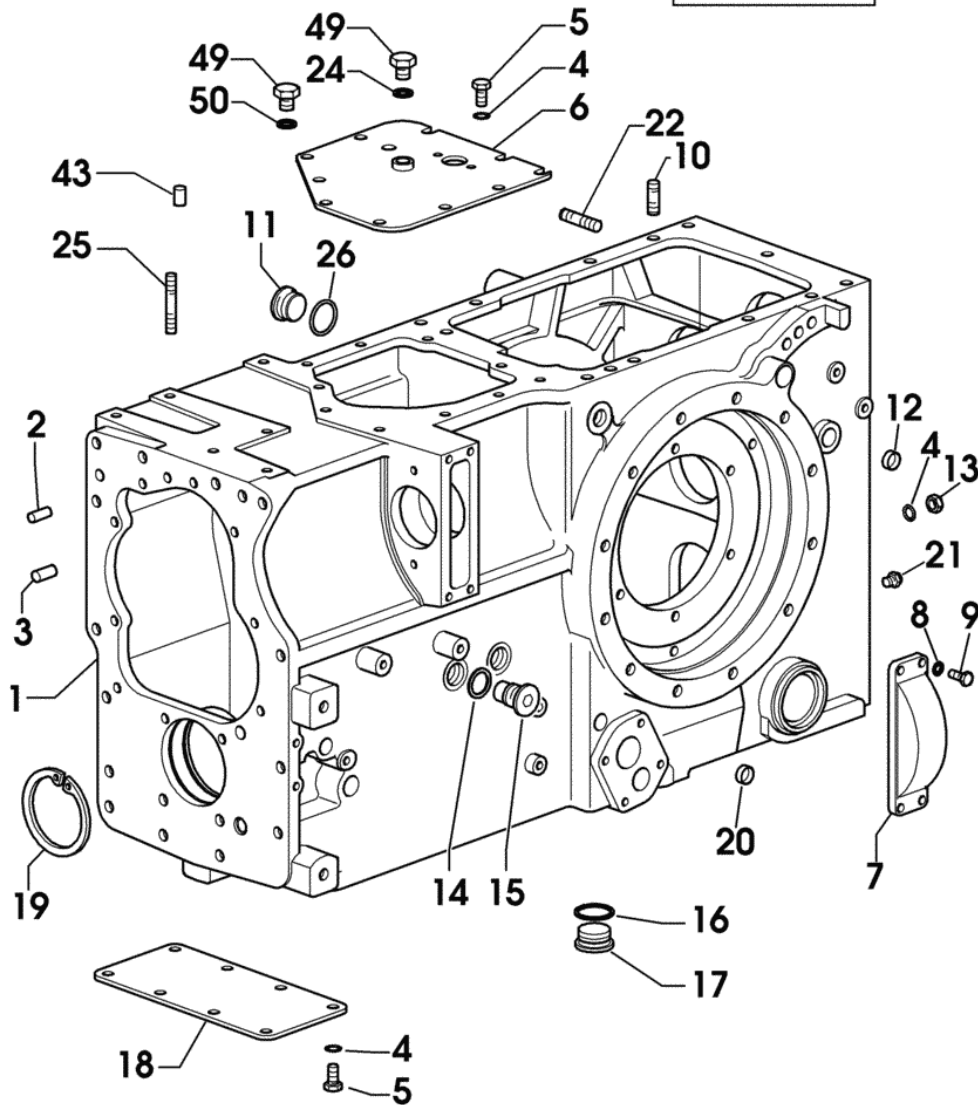
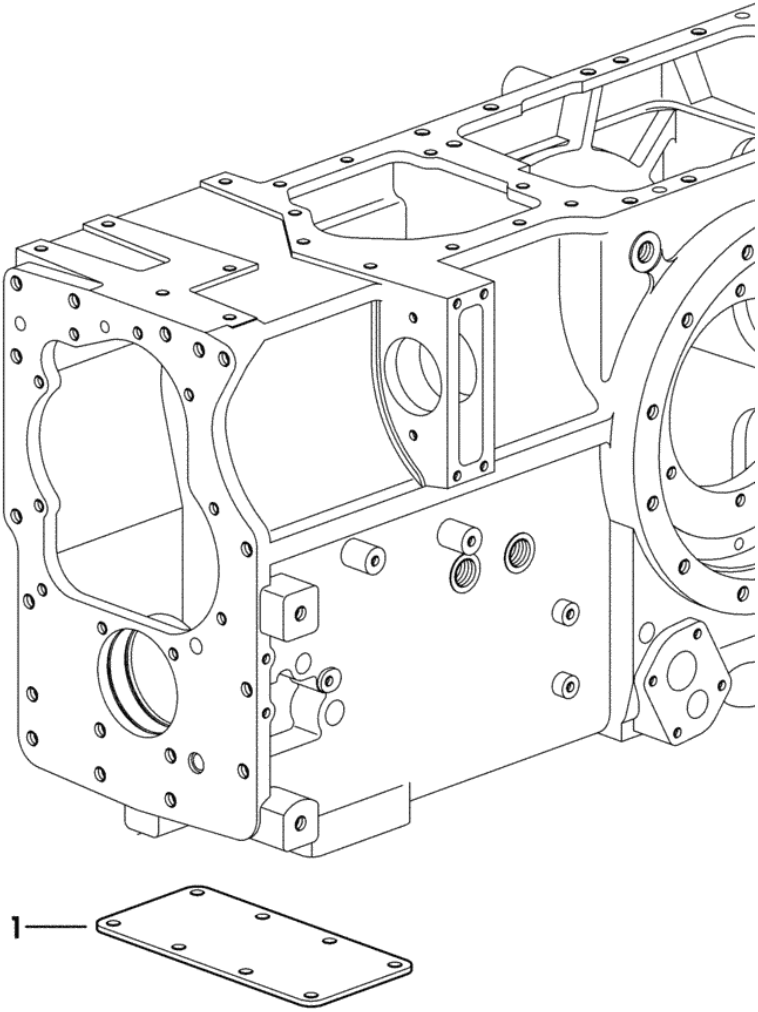


Fig.	Code	QTY	Name
1	0.013.4139.0/10	1	gear box 1197 <- X EXPLORER 85 T 1245 <- X EXPLORER 95 T 1297 <- X EXPLORER 95 TB
1	0.013.4139.0/20	1	gear box -> 1198 X EXPLORER 85T -> 1246 X EXPLORER 95T -> 1298 X EXPLORER 95TB
2	2.1651.811.0	1	cylindrical plug 10x25
3	2.1651.911.0	1	cylindrical plug 12x24
4	2.1470.006.2	20	lock washer 10
5	2.0112.307.2	16	screw m 10 p.1.5x20
6	0.445.3121.3/20	1	cover
7	0.255.3134.0	1	cover
8	2.1481.007.1	4	washer 8
9	2.0112.207.2	4	screw m 8 p 1.25x20
10	2.0432.257.7	2	stud bolt m 12 p.1.75-1.25x30
11	2.3139.016.2	1	plug
12	2.3171.006.4	1	plug 16
13	2.1011.421.2	10	nut M10x1.25
14	2.1560.020.0	2	gasket 24.3x32
15	2.3199.083.2	2	plug m 24 p.1.5
16	2.1560.026.0	1	gasket 35.3x41
17	2.3199.002.2	1	plug 1 gas
18	0.255.3128.0/10	1	cover
19	2.1411.038.1	1	circlip 95
20	2.3171.007.4	3	plug 18
21	2.3820.105.2	1	lubricator m 10 p.1x7
22	2.0432.265.7	2	stud bolt m 12 p.1.75-1.25x50
24	2.1560.010.0	1	gasket 14.2x20
25	2.0422.318.7	1	stud bolt m 10x65
26	2.1560.023.0	1	gasket 30.3x36
43	2.1651.908.0	2	cylindrical plug 12x18
49	2.3110.403.1	2	plug m 14 p.1.5
50	2.1560.010.0	1	gasket 14.2x20

Section: GEAR
COVER

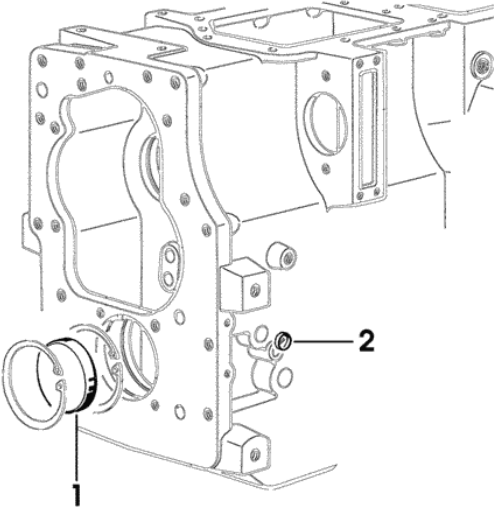
Fig.	Code	QTY	Name
1	0.255.3128.0/10	1	cover



9_62031_04_0_0

Section: GEAR
COMPLETION 2wd

Fig.	Code	QTY	Name
1	2.3199.121.0	1	plug 95x10
2	2.3171.007.4	2	plug 18



9_54631_01_0_0

Section: GEAR
REAR GEARBOX BRACKETS

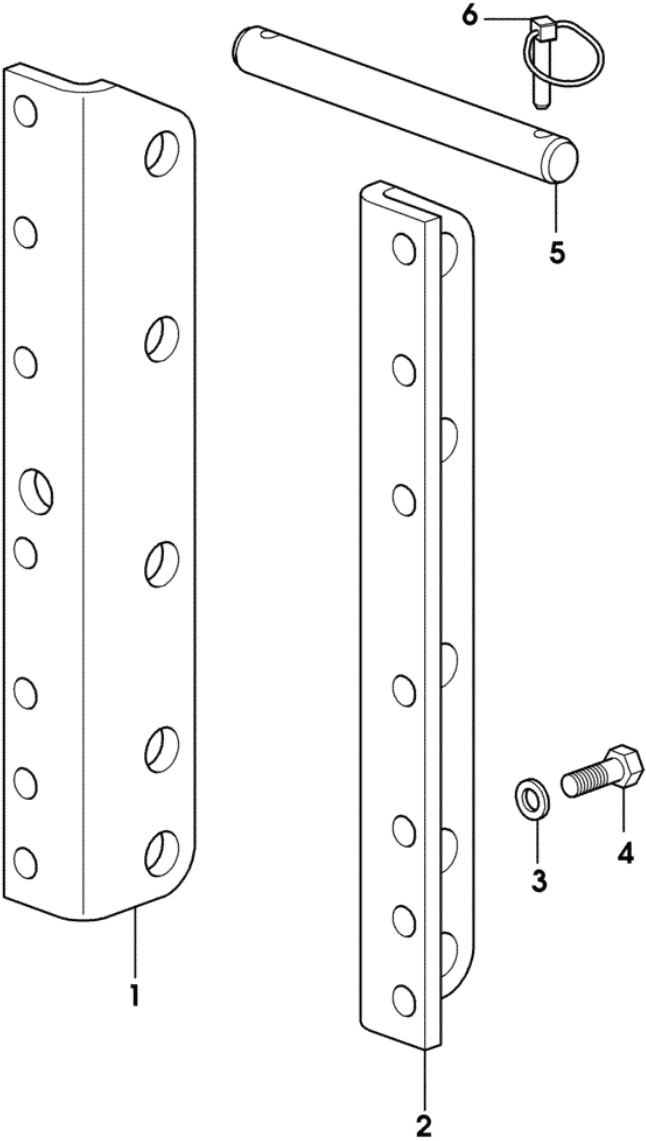


Fig.	Code	QTY	Name
1	0.96135.10.0/10	1	support dx
2	0.96135.11.0/10	1	support sx
3	2.1470.009.2	14	lock washer 16
4	2.0112.615.2	14	screw m 16 p.2x40
5	2.1669.029.2	2	pin 25.4x240x206
6	0.010.9322.4	4	pin

Section: GEAR
GEAR CHANGE BOX 5 SPEED

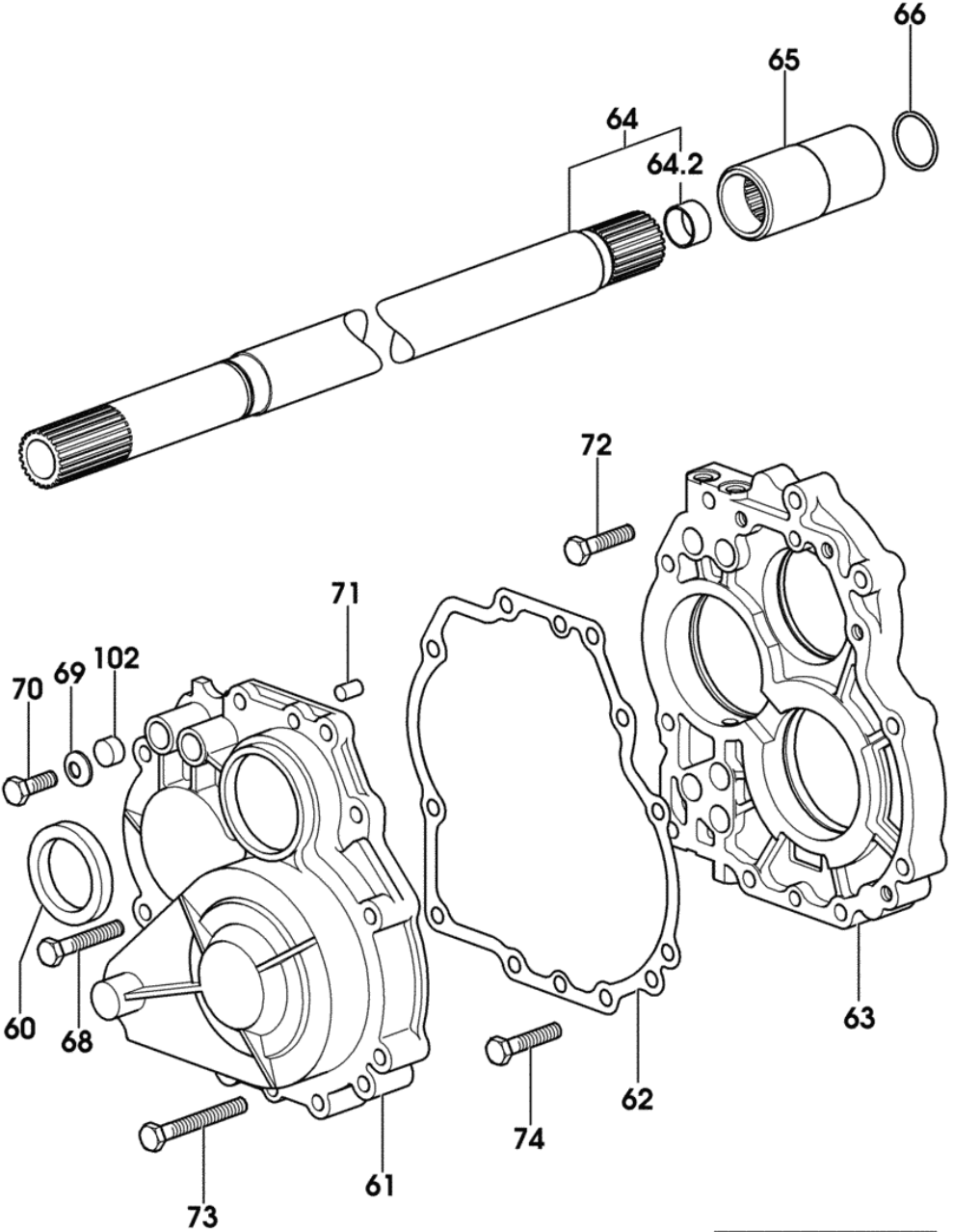


Fig.	Code	QTY	Name
60	2.1529.079.0	1	'o' ring 50x68x10
61	0.255.3357.0/30	1	cover
62	0.255.3356.0/10	1	gasket
63	0.007.3461.0/40	1	flange
64	0.270.2510.3	1	shaft
64.2	2.1555.214.0	1	bushing 25x28x15
65	0.255.2515.0	1	sleeve
66	2.1530.091.0	1	'o' ring 34.60x2.62
68	2.0112.321.2	4	screw m 10 p.1.5x60
69	2.1481.058.1	11	washer 10
70	2.0112.311.2	3	screw m 10 p.1.5x30
71	2.1651.807.0	2	pin 10x16
72	2.0112.317.2	2	screw m 10 p.1.5x45
73	2.0112.325.2	3	screw m 10 p.1.5x80
74	2.0112.319.2	1	screw m 10 p.1.5x50
102	2.3171.007.4	1	plug 18

9_C2333_00_0_A

Section: GEAR
GEAR CHANGE BOX 5 SPEED

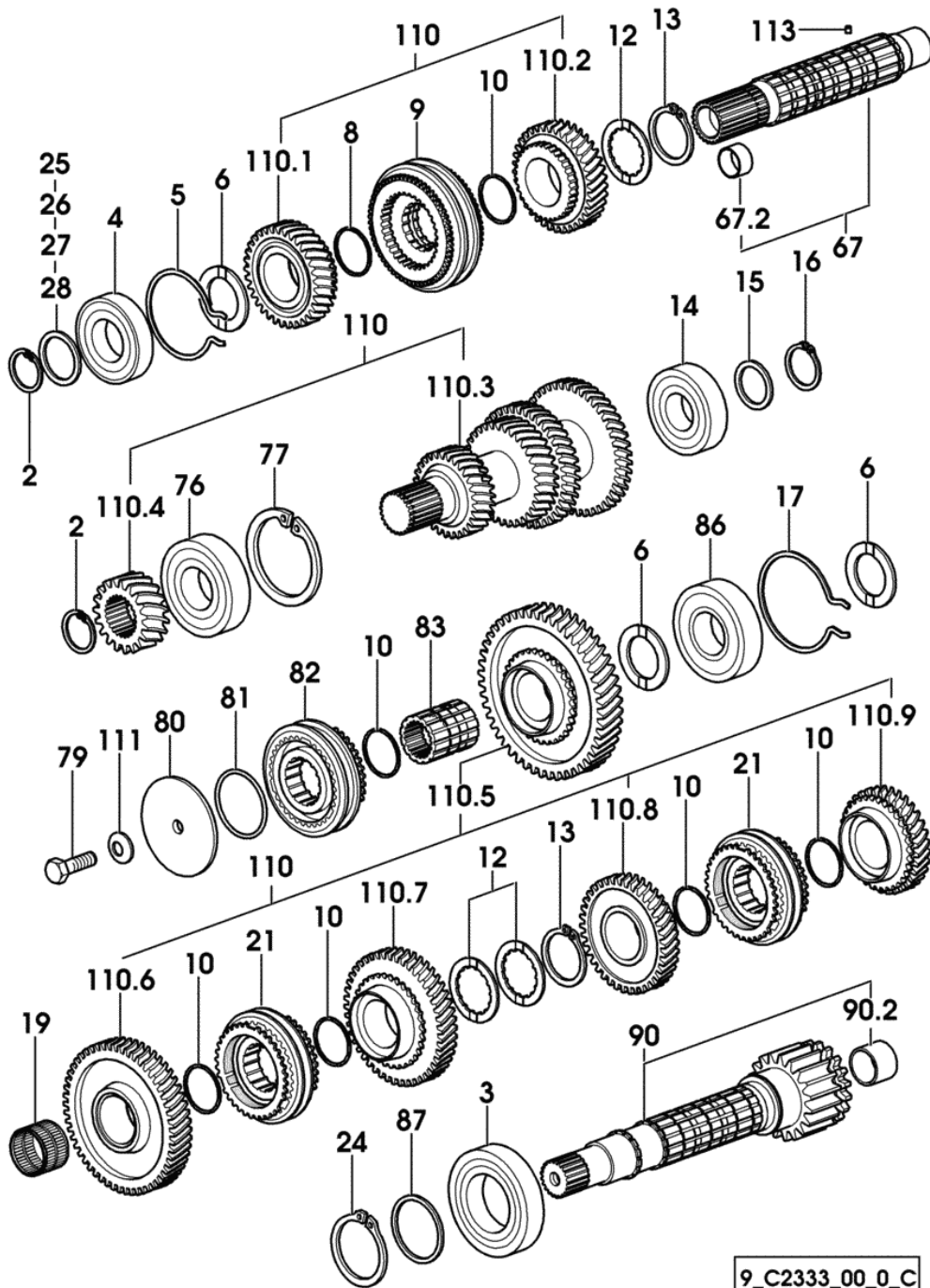


Fig.	Code	QTY	Name
2	2.1410.016.1	2	circlip 40x1.75
3	2.2999.125.0	1	bearing 55x100x21
4	2.2042.012.0	1	ball bearing 40x80x18
5	2.1499.052.1/10	1	circlip 80
6	0.255.3450.0	3	snoulder 40x60x3.5
8	2.1499.152.7	1	circlip 41x1.8
9	0.011.8631.4	1	lock synchronizer ↳ 588 => 588
10	2.1499.153.7	6	circlip 41x1.5
12	0.255.3372.0	3	thrust plate
13	2.1419.034.1	2	circlip 44
14	2.2060.011.0	1	ball bearing 35x80x21
15	2.1599.874.0	1	washer 35x45x3
16	2.1410.014.1	1	circlip 35
17	2.1499.037.1	1	circlip 90
19	2.2999.218.0	1	roller cage 40x45x30
21	0.007.7646.4/10	2	lock synchronizer ↳ 589 => 589
24	2.1410.022.1	1	circlip 55
25	2.1599.414.0	2	snoulder 40x50x3
26	2.1599.423.0	0	snoulder 40x50x2.9
27	2.1599.424.0	2	snoulder 40x50x2.8
28	2.1599.425.0	0	snoulder 40x50x2.7
67	0.012.9651.3	1	shaft
67.2	2.1555.214.0	1	bushing 25x28x15
76	2.2999.367.0	1	ball bearing 40x90x23
77	2.1411.036.1	1	circlip 90
79	2.0132.408.7	1	screw
80	0.255.3369.0/20	1	shoulder
81	2.1530.141.0	1	'o' ring 57.15x3.53
82	0.007.7647.4	1	lock synchronizer 68 ↳ 590 => 590
83	0.255.3368.0/10	1	bushing
86	2.2063.012.0	1	ball bearing 40x90x23
87	2.1599.422.0	1	snoulder 44
90	0.445.3351.3/30	1	countershaft
90.2	2.1559.177.0	1	bushing 30x35x25
110	0.000.0000.1	0	not serviceable
110.1	0.011.8384.0	1	gear z = 34
110.2	0.011.8381.0	1	gear z = 37
110.3	0.013.1424.0	1	shaft z = 30 - 34 - 40 - 44

Section: GEAR
GEAR CHANGE BOX 5 SPEED

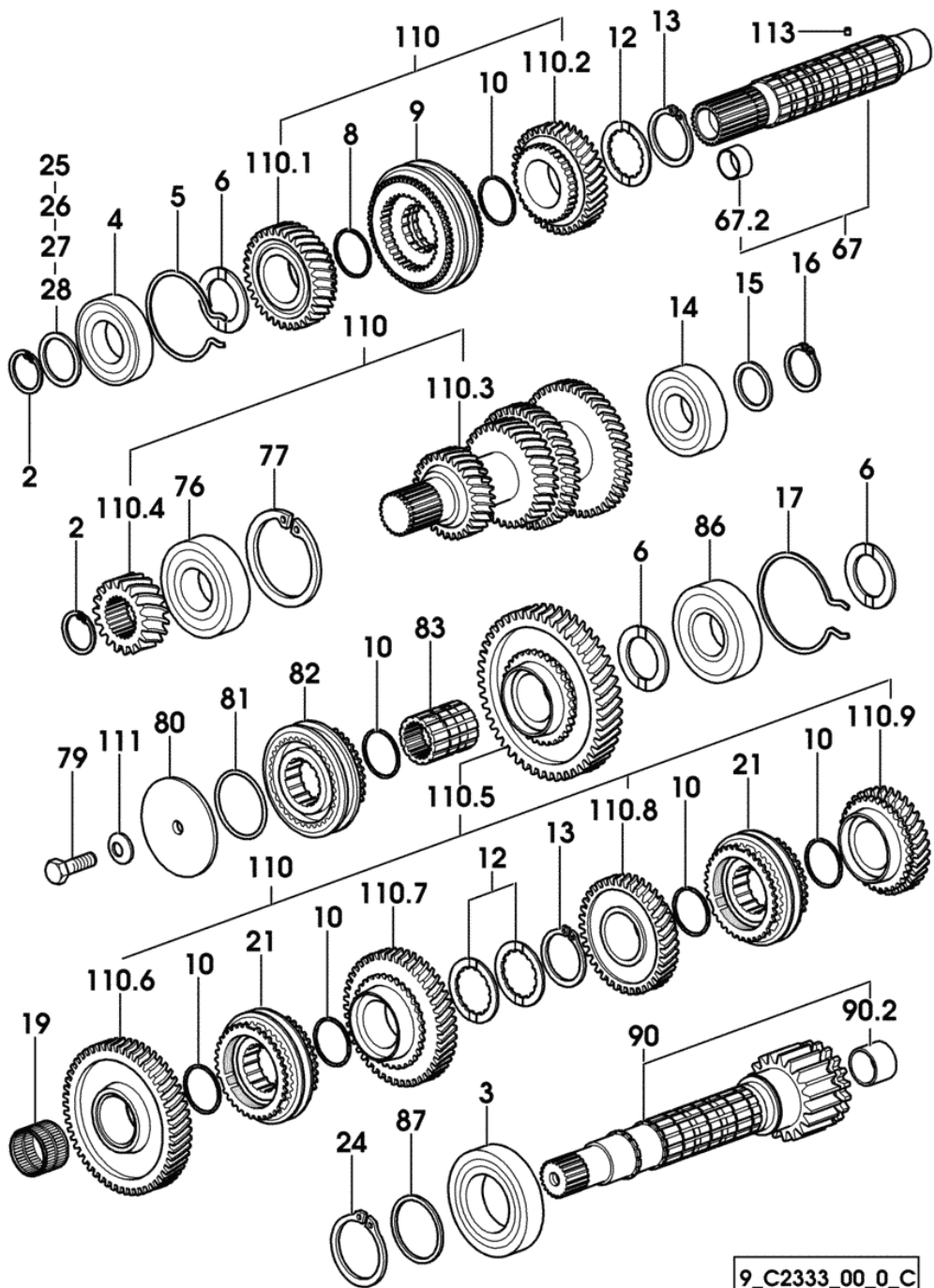


Fig.	Code	QTY	Name
110.4	0.011.3867.0	1	gear z = 19
110.5	0.011.3869.3	1	gear z = 46
110.6	0.445.3358.0/20	1	gear z = 54
110.7	0.010.0006.0/20	1	gear z = 46
110.8	0.011.3866.0	1	gear z = 38
110.9	0.013.1442.3	1	gear z = 31
111	2.1475.004.2	1	washer 13x24
113	2.0599.089.7	2	screw m 5x5

9_C2333_00_0_C

GEAR CHANGE BOX 5 SPEED

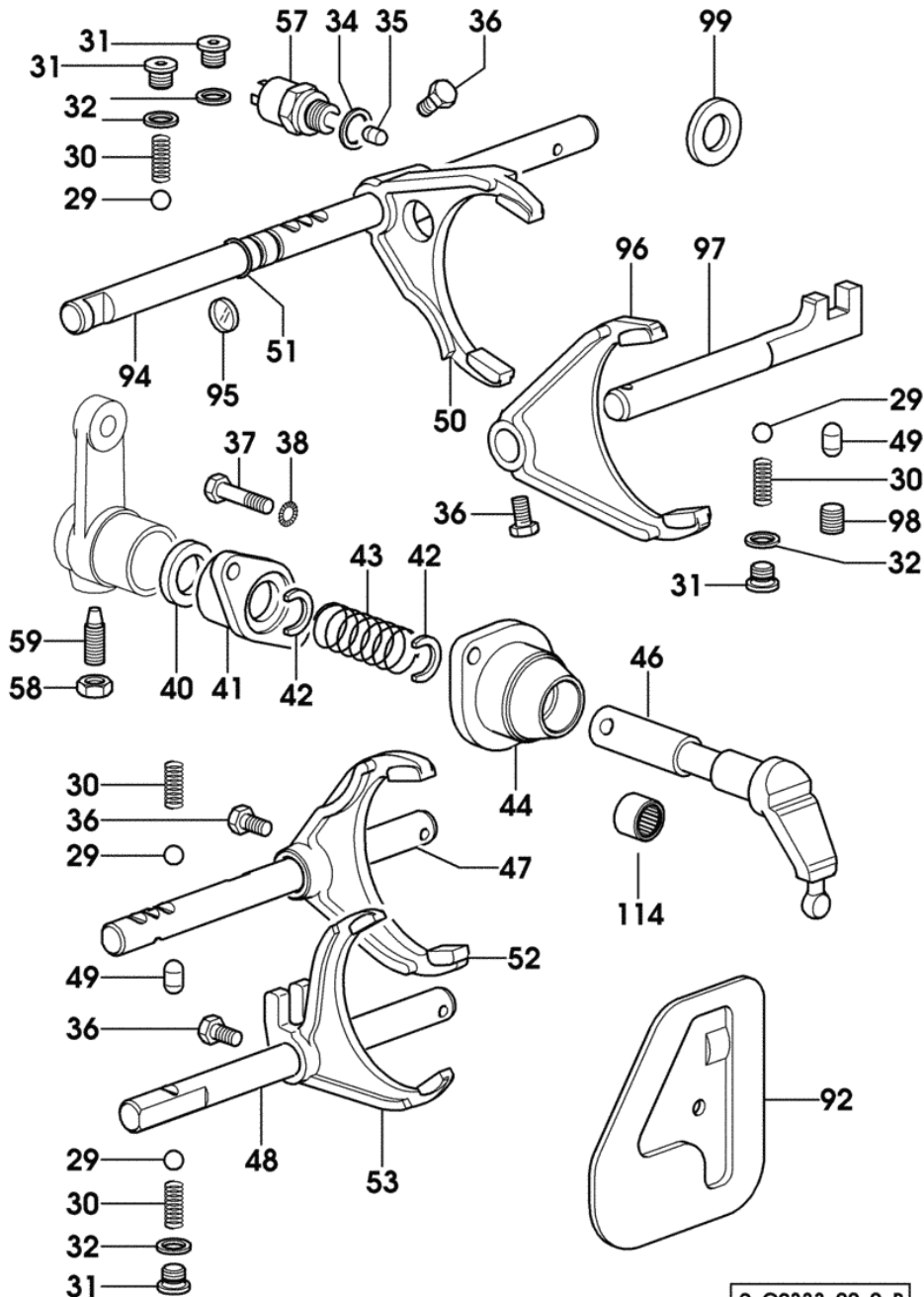


Fig.	Code	QTY	Name
29	2.2999.156.0	4	ball 10
30	2.4019.622.1	4	spring 6.3x9.5x1.6x22.4
31	2.3199.164.2/20	4	plug
32	2.1560.008.0	4	gasket 12.2x18
34	2.1560.012.0	1	gasket 16.2x22
35	2.1699.160.0	1	pin 8x15
36	2.0399.019.1	4	screw m 8 p.1x16
37	2.0112.213.2	2	screw m 8 p.1.25x35
38	2.1470.004.2	2	lock washer 8
40	2.1519.075.0	1	'o' ring
41	0.011.5530.0	1	support
42	0.008.5405.0	2	ring
43	2.4019.698.1/10	1	spring
44	0.011.7127.0	1	support
46	0.011.5541.0	1	lever
47	0.445.6421.0/10	1	rod
48	0.445.6420.0/10	1	rod
49	2.1699.159.0	2	pin 10x14.1
50	0.011.8530.0/10	1	fork
51	2.1530.033.0	2	'o' ring 13.10x2.62
52	0.010.0205.0/20	1	fork
53	0.010.0191.0/20	1	fork
57	2.7659.014.0	1	switch
58	2.1011.406.2	1	nut m 10 p.1
59	2.0399.050.2	1	screw m 10 p.1x30
92	0.007.3562.3	1	cover
94	0.445.6424.0/20	1	rod
95	2.3171.007.4	1	plug 18
96	0.010.0209.0/20	1	fork
97	0.445.6454.0/20	1	rod
98	2.3131.001.4	1	plug m 12 p.1.5
99	2.1549.117.0	2	spacer
114	2.2725.030.0	2	roller bearing

9_C2333_00_0_B

Section: GEAR

GEAR CHANGE BOX 5 SPEED SYNCRO POWER

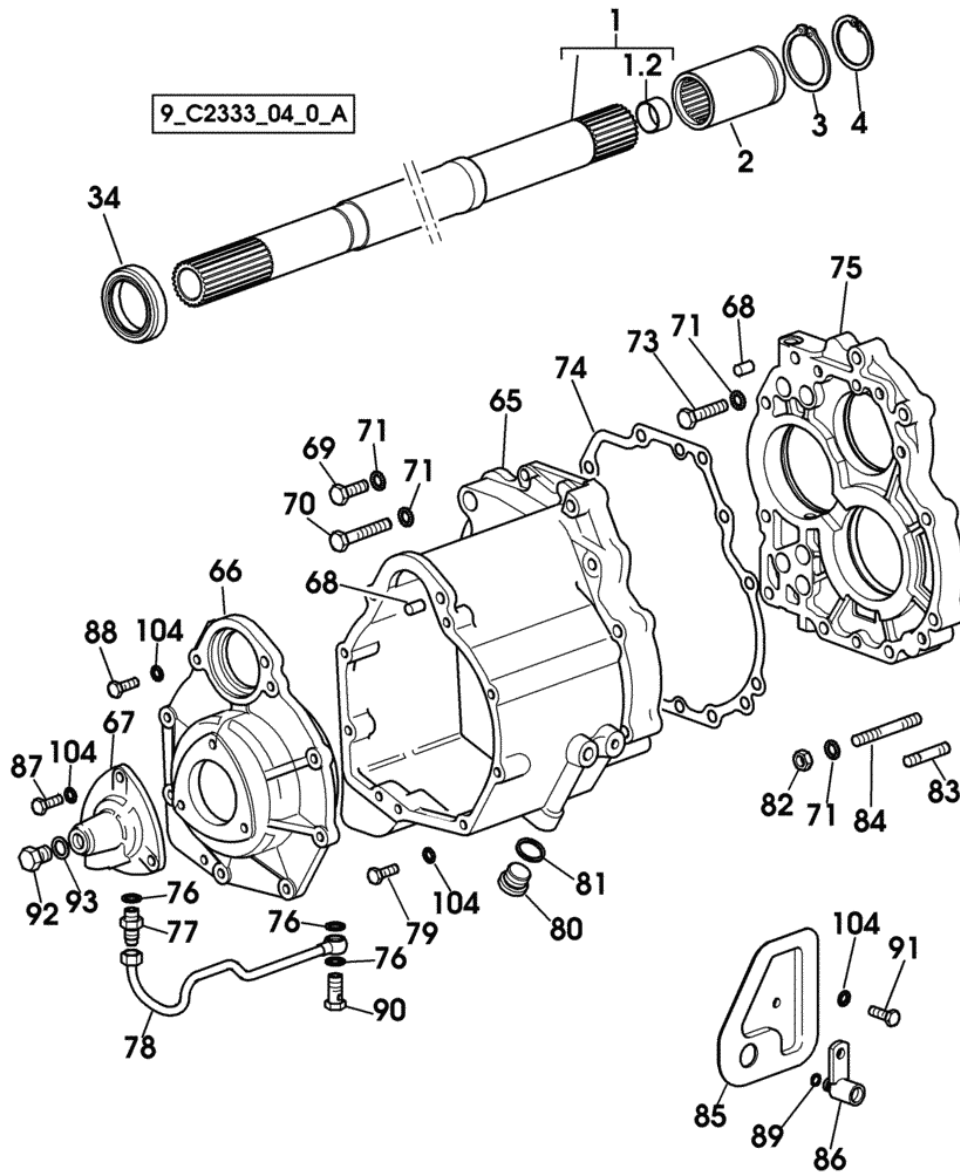


Fig.	Code	QTY	Name
1	0.007.3426.3	1	shaft
1.2	2.1555.214.0	1	bushing 25x28x15
2	0.007.3432.0	1	sleeve
3	2.1410.020.1	1	circlip 50
4	2.1419.044.0	1	circlip 38.8x1.5
34	0.008.4623.0	1	'o' ring
65	0.007.3416.0/40	1	box
66	0.007.3415.0/20	1	cover
67	0.007.3417.0/10	1	manifold
68	2.1651.807.0	4	pin 10x16
69	2.0112.311.2	3	screw m 10 p.1.5x30
70	2.0112.321.2	3	screw m 10 p.1.5x60
71	2.1470.006.2	14	lock washer 10
73	2.0112.317.2	3	screw m 10 p.1.5x45
74	0.255.3356.0/10	1	gasket
75	0.007.3461.0/40	1	flange
76	2.1560.008.0	3	gasket 12.2x18
77	2.3339.453.2	1	pipe fitting m 12 p.1.25-1/2"
78	0.007.3544.3	1	tube
79	2.0112.211.2	6	screw m 8 p.1.25x30
80	2.3199.001.2	1	plug 1/2 gas
81	2.1560.017.0	1	gasket 22.2x27
82	2.1011.421.2	5	nut M10x1.25
83	2.0432.165.7	1	stud bolt m 10 p.1.5-1.25x50
84	2.0432.171.7	4	stud bolt m 10 p.1.5-1.25x80
85	0.007.3563.3	1	cover
86	0.007.3566.2	1	pipe union m 14 p.1.5
87	2.0112.209.2	3	screw m 8 p 1.25x25
88	2.0112.213.2	2	screw m 8 p.1.25x35
89	2.1530.014.0	1	'o' ring 7.66x1.78
90	2.3332.003.1	1	pipe union m 12 p.1.25
91	2.0112.205.2	1	screw m 8 p.1.25x16
92	2.3110.403.1	1	plug m 14 p.1.5
93	2.1560.010.0	1	gasket 14.2x20
104	2.1470.004.2	12	lock washer 8

Section: GEAR
GEAR CHANGE BOX 5 SPEED SYNCRO POWER

9_C2333_04_0_B

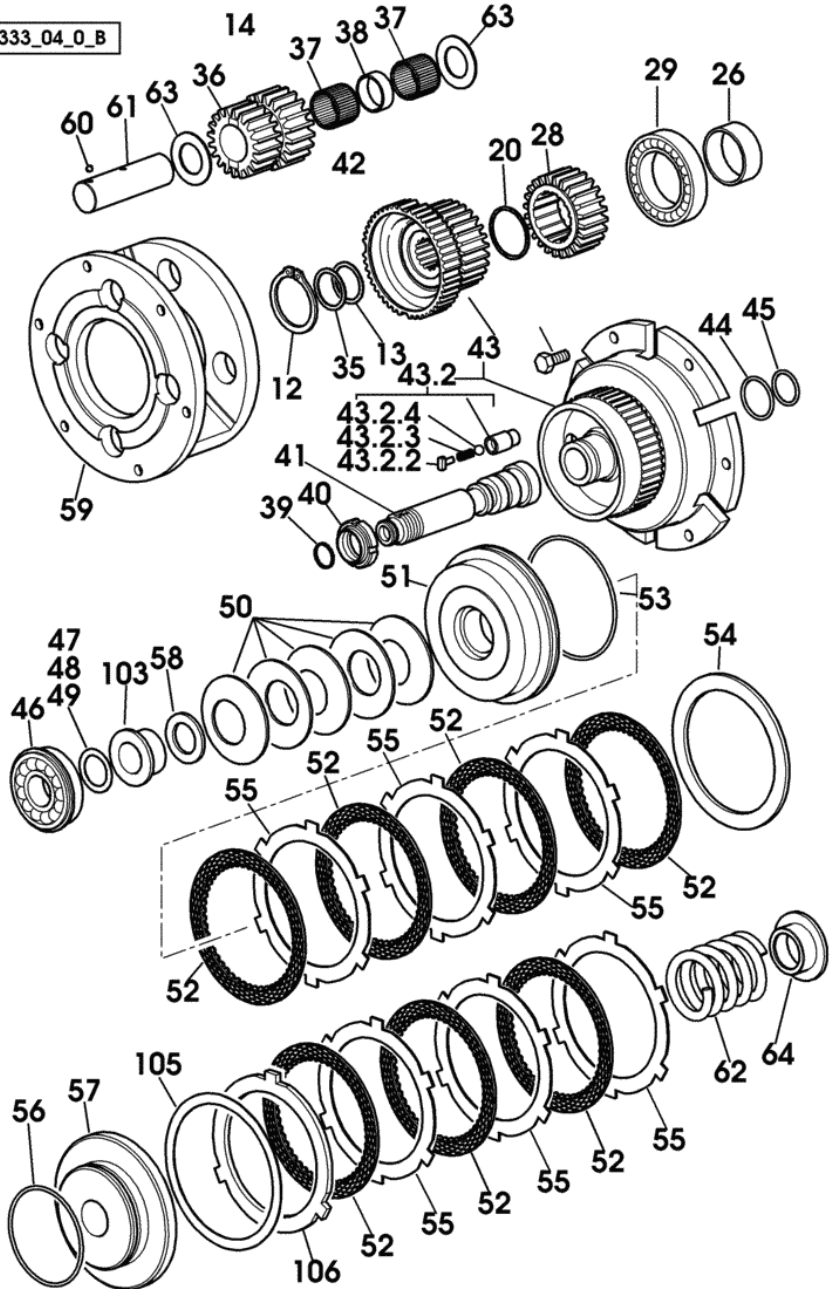
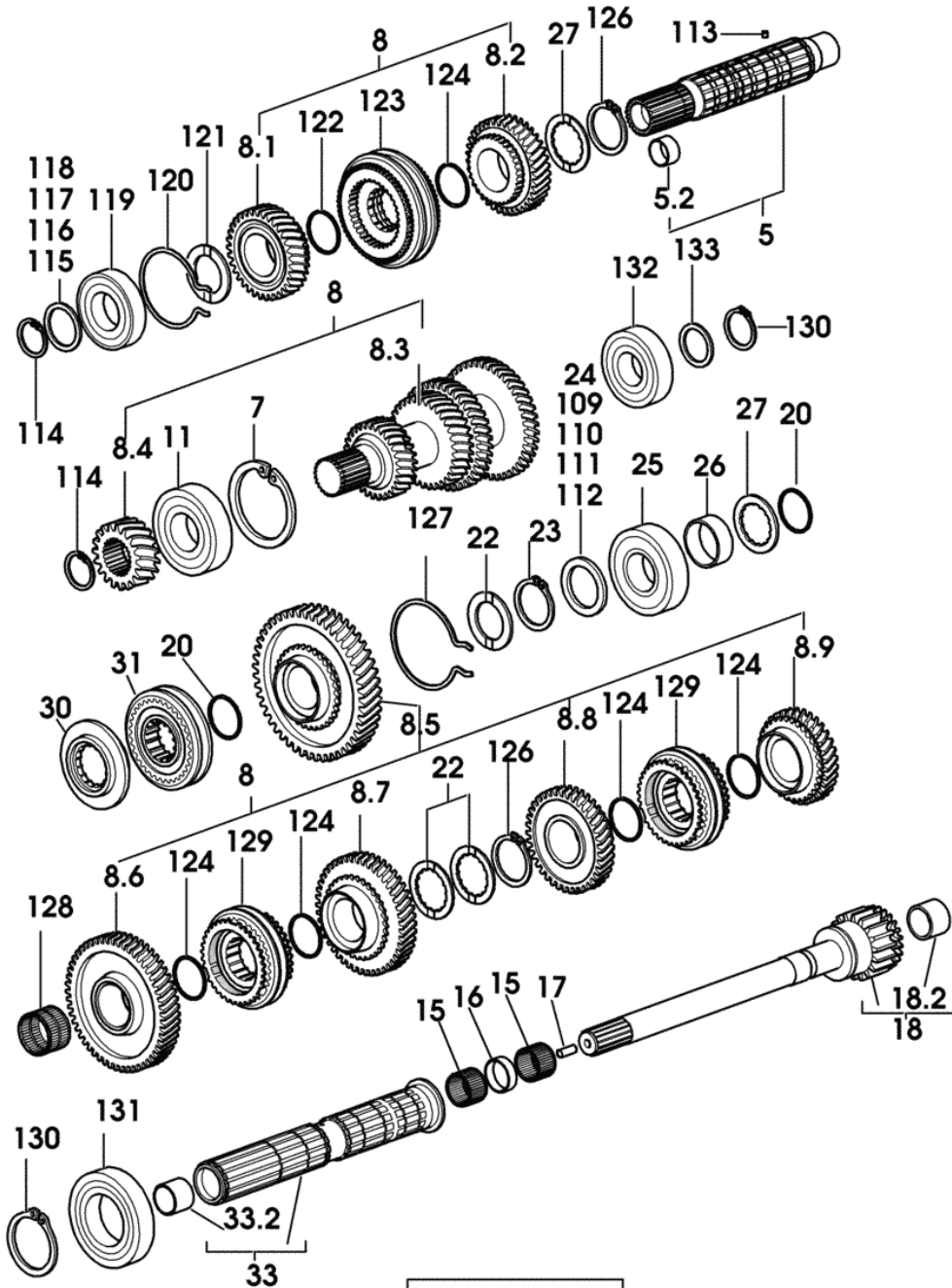


Fig.	Code	QTY	Name
12	2.1410.011.1	1	circlip 28
13	2.1580.117.0	2	shim mm 0.2
14	0.007.3440.3/20	1	crown wheel
20	2.1499.153.7	3	circlip 41x1.5
26	2.1559.333.0	2	bushing 44.7x50x19
28	0.007.3439.0/10	1	crown wheel
29	2.2030.011.0	1	ball bearing 50x80x16
35	2.1580.113.0	2	shim mm 0.5
36	0.007.3441.3	1	planet gear
37	2.2999.230.0	8	roller cage
38	2.1579.985.2	4	spacer
39	2.1499.089.0	1	ring
40	2.1214.006.7	1	ring nut 25 mc
41	0.007.3446.0/40	1	pin
42	2.0132.006.2	6	screw m 8x20
43	0.007.3418.4/10	1	support
43.2	0.007.3557.3	1	valve
43.2.2	0.007.3558.0	1	ferrule
43.2.3	2.4019.408.1	1	spring
43.2.4	2.2810.003.0	1	ball mm 7.144
44	2.1539.095.0	1	'o' ring
45	2.1539.096.0	1	ring
46	2.2062.007.0	1	ball bearing 25x62x17
47	2.1580.138.0	1	snoulder 25.5x35x0.15
48	2.1580.139.0	3	snoulder 25.5x35x0.2
49	2.1580.140.0	6	snoulder 25.5x35x0.5
50	2.1499.076.0/10	5	spring
51	0.007.3419.0/20	1	piston
52	0.255.3970.2	7	disc
53	2.1539.098.0	1	ring 94.92x2.62
54	2.1599.569.0	2	shim 99.5x125x4
55	0.013.9453.0	6	disc
56	2.1539.097.0	1	ring
57	0.007.3420.0/10	1	piston
58	2.1599.570.0	1	shim 25.2x40x3
59	0.007.3421.0	1	spider
60	2.2819.003.0	4	ball
61	0.007.3422.0/10	4	pin
62	2.4019.425.1	1	spring
63	2.2685.006.0	8	shim 25x42x1
64	0.007.3445.0	1	cup
103	2.1559.215.0	1	bushing 25x35.5x18
105	2.1599.499.0	1	snoulder 110x126.5x1.2
106	0.255.3969.0/10	1	disc

Section: GEAR

GEAR CHANGE BOX 5 SPEED SYNCRO POWER



9_C2333_04_0_C

Fig.	Code	QTY	Name
5	0.012.9651.3	1	shaft
5.2	2.1555.214.0	1	bushing 25x28x15
7	2.1411.036.1	1	circlip 90
8	0.000.0000.1	0	not serviceable
8.1	0.011.8384.0	1	gear z = 34
8.2	0.011.8381.0	1	gear z = 37
8.3	0.013.1424.0	1	shaft z = 30 - 34 - 40 - 44
8.4	0.011.3867.0	1	gear z = 19
8.5	0.011.3869.3	1	gear z = 46
8.6	0.445.3358.0/20	1	gear z = 54
8.7	0.010.0006.0/20	1	gear z = 46
8.8	0.011.3866.0	1	gear z = 38
8.9	0.013.1442.3	1	gear z = 31
11	2.2060.012.0	1	ball bearing 40x90x23
15	2.2999.308.0	2	roller cage 30x35x27
16	2.1579.948.0	1	spacer 31.5x34.9x10
17	0.007.3454.0	1	tube
18	0.007.3424.3	1	shaft
18.2	2.1559.177.0	1	bushing 30x35x25
20	2.1499.153.7	3	circlip 41x1.5
22	0.255.3372.0	4	thrust plate
23	2.1419.034.1	1	circlip 44
24	2.1599.568.0/10	1	shim 45.5x60x2
25	2.2999.203.0	1	ball bearing 50x90x20
26	2.1559.333.0	2	bushing 44.7x50x19
27	2.1599.571.0	1	thrust plate 42x60x3.5
30	0.007.3442.0	1	snoulder
31	0.007.7647.4	1	lock synchronizer 68 ☞ 590 => 590
33	0.007.3425.3/20	1	countershaft
33.2	2.1559.365.0	1	bushing
109	2.1599.737.0	0	snoulder 45.5x60x2.15
110	2.1599.738.0	0	snoulder 45.5x60x2.3
111	2.1599.739.0	0	snoulder 45.5x60x2.45
112	2.1599.740.0	0	snoulder 45.5x60x2.6
113	2.0599.089.7	1	screw m 5x5
114	2.1410.016.1	3	circlip 40x1.75
115	2.1599.414.0	2	snoulder 40x50x3
116	2.1599.423.0	0	snoulder 40x50x2.9
117	2.1599.424.0	2	snoulder 40x50x2.8
118	2.1599.425.0	0	snoulder 40x50x2.7
119	2.2042.012.0	1	ball bearing 40x80x18
120	2.1499.052.1/10	1	circlip 80

Section: GEAR
GEAR CHANGE BOX 5 SPEED SYNCRO POWER

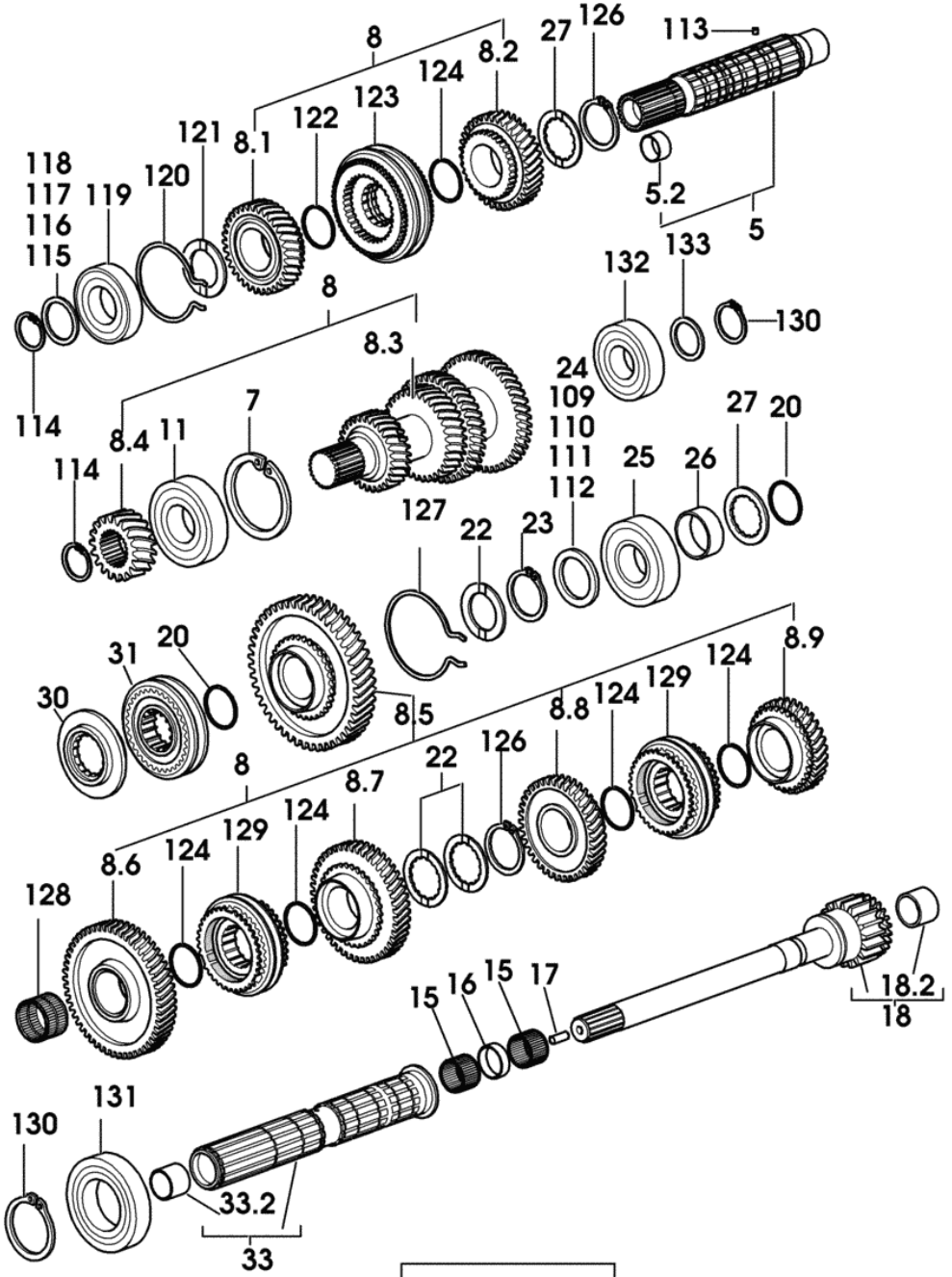


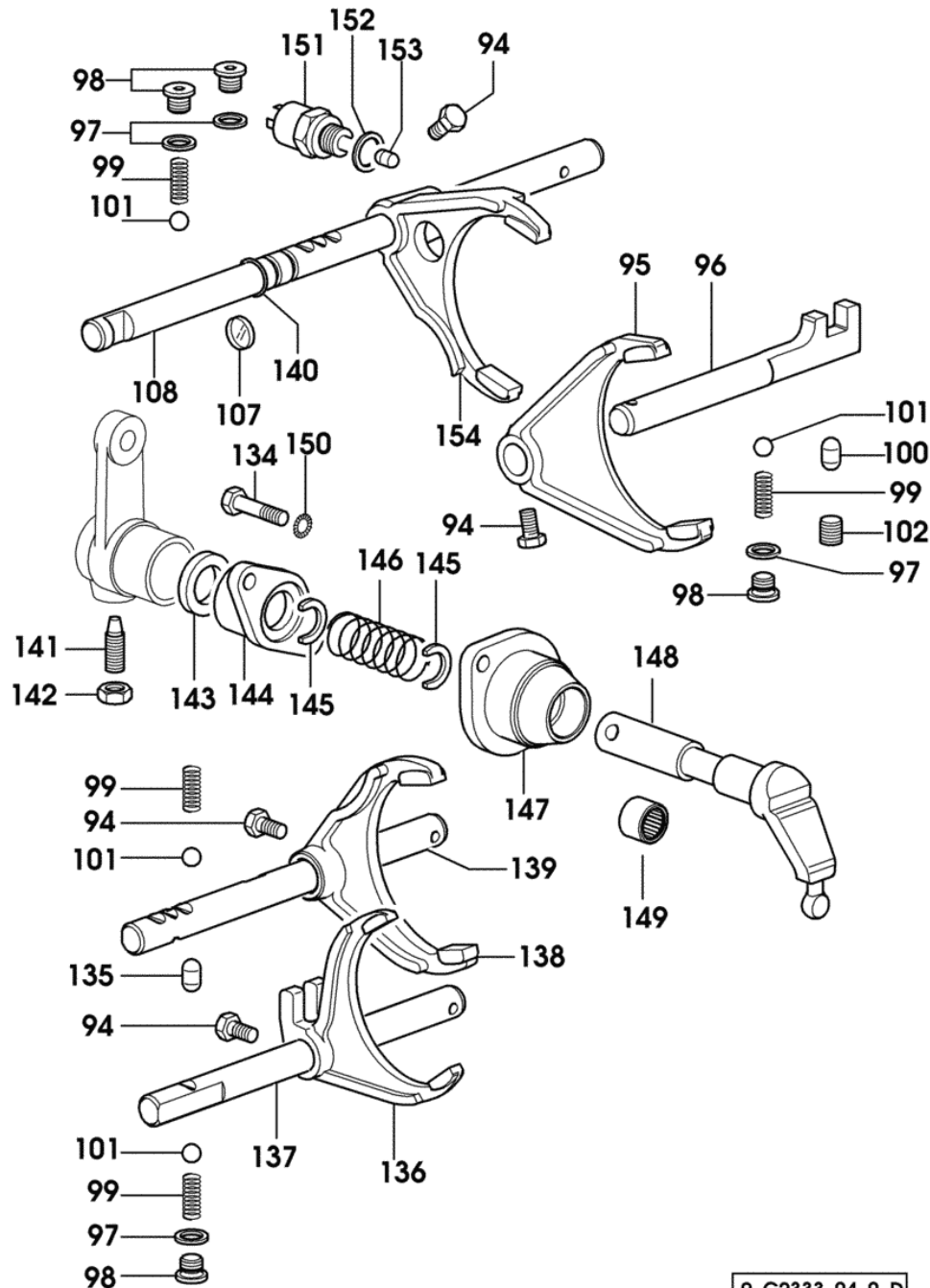
Fig.	Code	QTY	Name
121	0.255.3450.0	1	snoulder 40x60x3.5
122	2.1499.152.7	1	circlip 41x1.8
123	0.011.8631.4	1	lock synchronizer ↳ 588 => 588
124	2.1499.153.7	5	circlip 41x1.5
126	2.1419.034.1	2	circlip 44
127	2.1499.037.1	1	circlip 90
128	2.2999.218.0	1	roller cage 40x45x30
129	0.007.7646.4/10	2	lock synchronizer ↳ 589 => 589
130	2.1410.014.1	2	circlip 35
131	2.2999.125.0	1	bearing 55x100x21
132	2.2060.011.0	1	ball bearing 35x80x21
133	2.1599.874.0	1	washer 35x45x3

9_C2333_04_0_C

Section: GEAR

GEAR CHANGE BOX 5 SPEED SYNCRO POWER

Fig.	Code	QTY	Name
94	2.0399.019.1	4	screw m 8 p.1x16
95	0.010.0209.0/20	1	fork
96	0.445.6454.0/20	1	rod
97	2.1560.008.0	4	gasket 12.2x18
98	2.3199.164.2/20	4	plug
99	2.4019.622.1	4	spring 6.3x9.5x1.6x22.4
100	2.1699.159.0	1	pin 10x14.1
101	2.2999.156.0	4	ball 10
102	2.3131.001.4	1	plug m 12 p.1.5
107	2.3171.007.4	1	plug 18
108	0.445.6424.0/20	1	rod
134	2.0112.213.2	2	screw m 8 p.1.25x35
135	2.1699.159.0	1	pin 10x14.1
136	0.010.0191.0/20	1	fork
137	0.445.6420.0/10	1	rod
138	0.010.0205.0/20	1	fork
139	0.445.6421.0/10	1	rod
140	2.1530.033.0	2	'o' ring 13.10x2.62
141	2.0399.050.2	1	screw m 10 p.1x30
142	2.1011.406.2	1	nut m 10 p.1
143	2.1519.075.0	1	'o' ring
144	0.011.5530.0	1	support
145	0.008.5405.0	2	ring
146	2.4019.698.1/10	1	spring
147	0.011.7127.0	1	support
148	0.011.5541.0	1	lever
149	2.2725.030.0	2	roller bearing
150	2.1470.004.2	2	lock washer 8
151	2.7659.014.0	1	switch
152	2.1560.012.0	1	gasket 16.2x22
153	2.1699.160.0	1	pin 8x15
154	0.011.8530.0/10	1	fork



9_C2333_04_0_D

Section: GEAR

5 SPEED GEARBOX WITH MINI REDUCTION GEAR

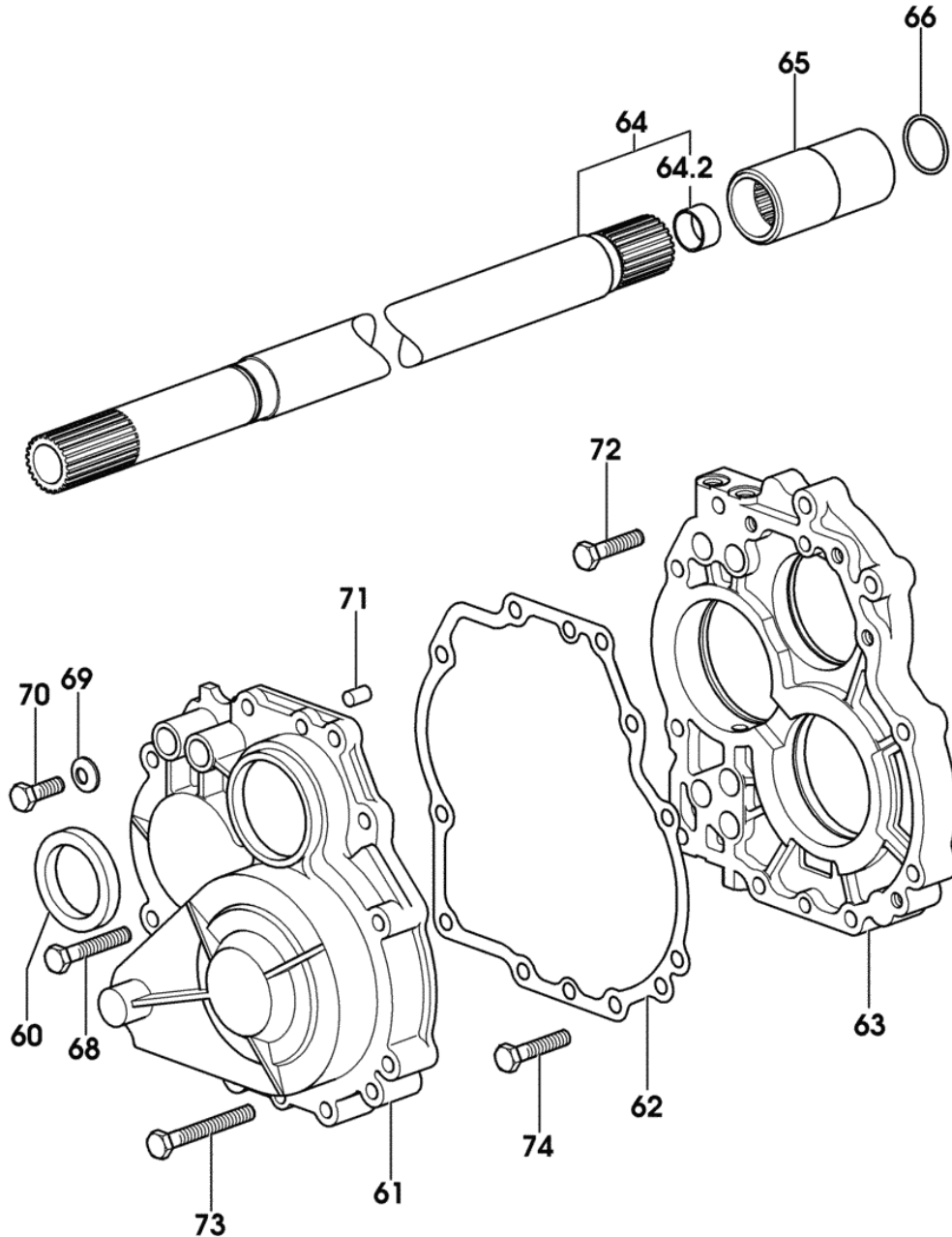


Fig.	Code	QTY	Name
60	2.1529.079.0	1	'o' ring 50x68x10
61	0.255.3357.0/30	1	cover
62	0.255.3356.0/10	1	gasket
63	0.007.3461.0/40	1	flange
64	0.270.2510.3	1	shaft
64.2	2.1555.214.0	1	bushing 25x28x15
65	0.255.2515.0	1	sleeve
66	2.1530.091.0	1	'o' ring 34.60x2.62
68	2.0112.321.2	4	screw m 10 p.1.5x60
69	2.1481.058.1	11	washer 10
70	2.0112.311.2	3	screw m 10 p.1.5x30
71	2.1651.807.0	2	pin 10x16
72	2.0112.317.2	2	screw m 10 p.1.5x45
73	2.0112.325.2	3	screw m 10 p.1.5x80
74	2.0112.319.2	1	screw m 10 p.1.5x50

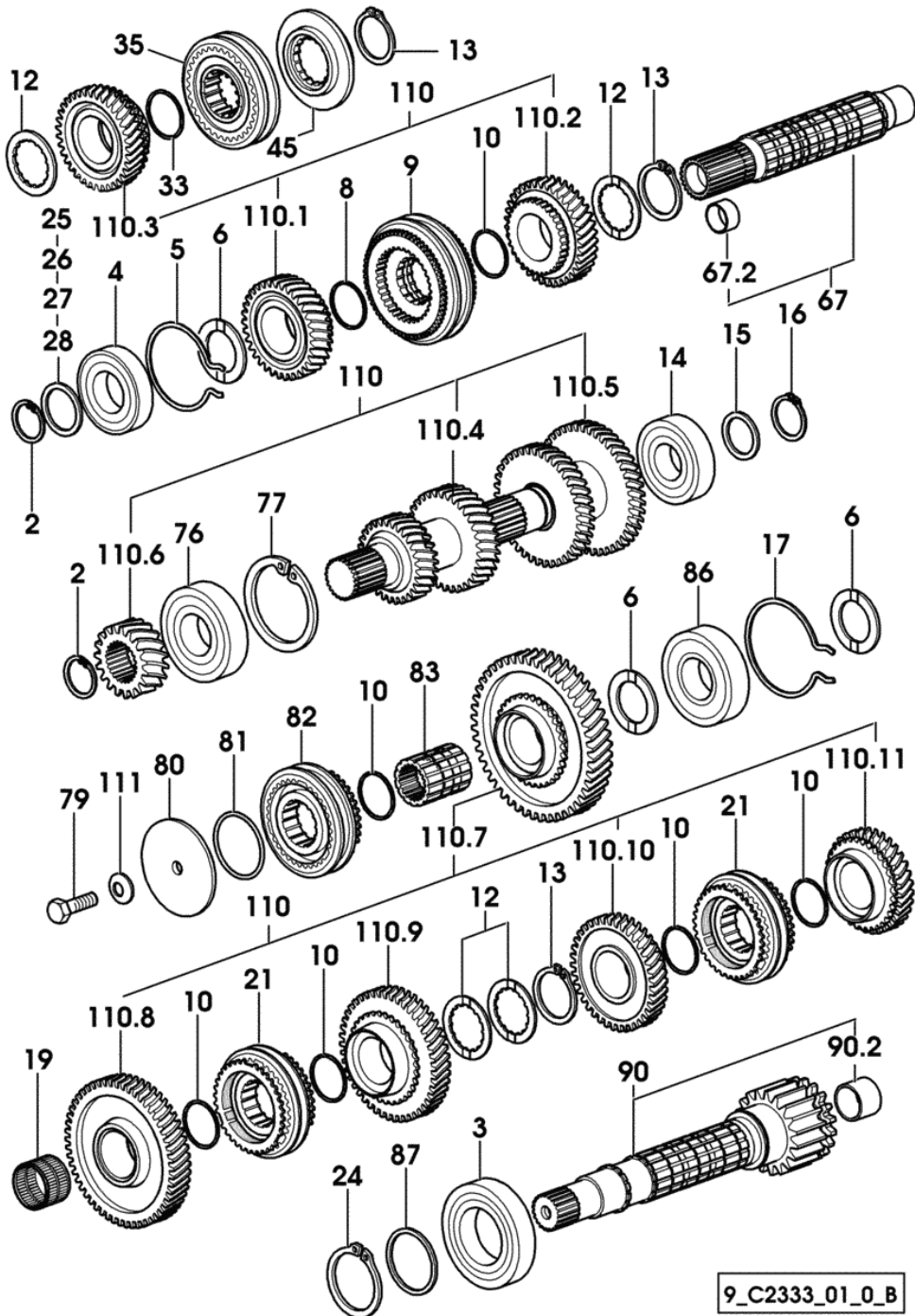
9_C2333_01_0_A

Section: GEAR

5 SPEED GEARBOX WITH MINI REDUCTION GEAR

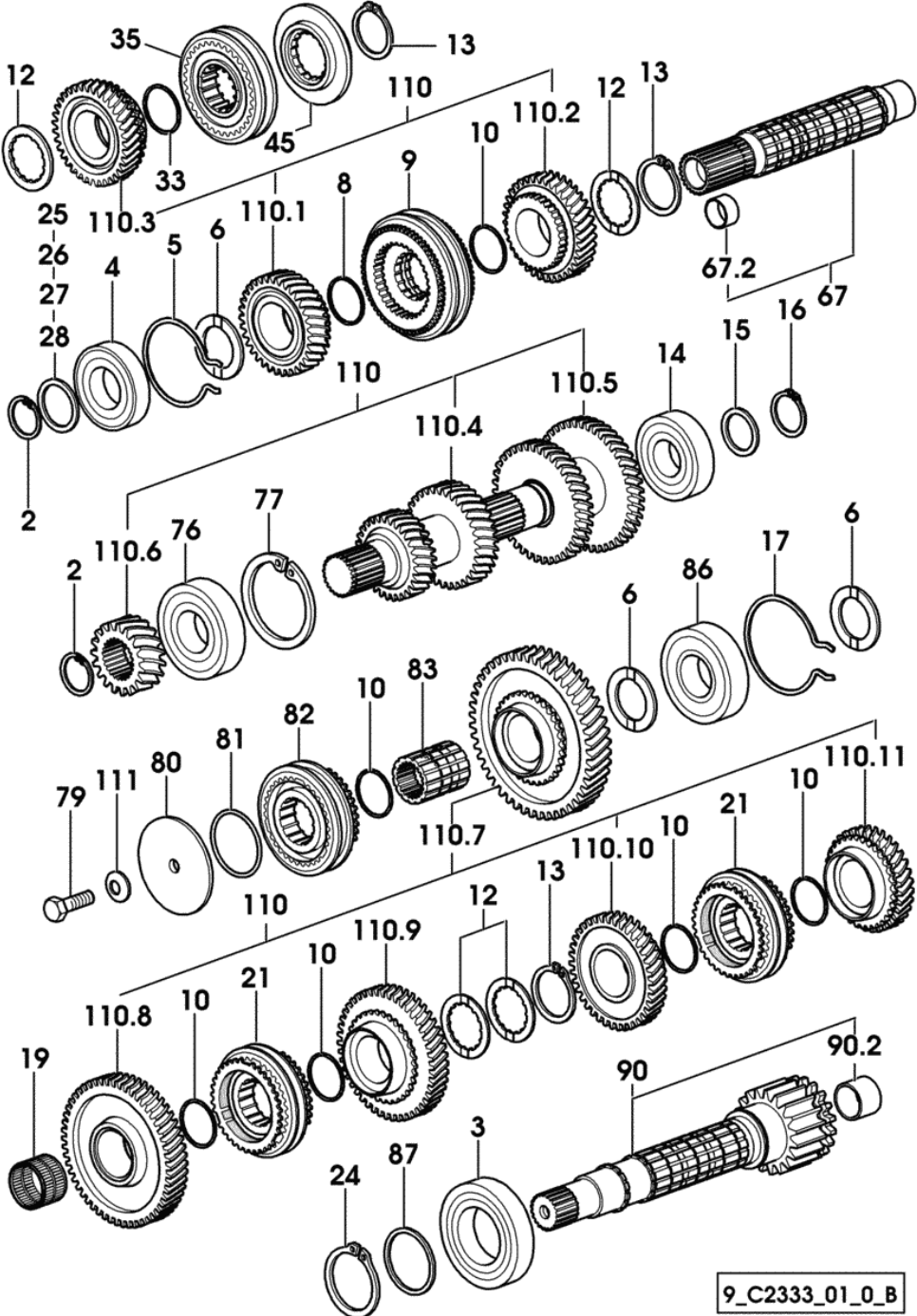
Fig.	Code	QTY	Name
------	------	-----	------

2	2.1410.016.1	2	circlip 40x1.75
3	2.2999.125.0	1	bearing 55x100x21
4	2.2042.012.0	1	ball bearing 40x80x18
5	2.1499.052.1/10	1	circlip 80
6	0.255.3450.0	3	snoulder 40x60x3.5
8	2.1499.152.7	1	circlip 41x1.8
9	0.011.8631.4	1	lock synchronizer ☞ 588 => 588
10	2.1499.153.7	6	circlip 41x1.5
12	0.255.3372.0	4	thrust plate
13	2.1419.034.1	3	circlip 44
14	2.2060.011.0	1	ball bearing 35x80x21
15	2.1599.874.0	1	washer 35x45x3
16	2.1410.014.1	1	circlip 35
17	2.1499.037.1	1	circlip 90
19	2.2999.218.0	1	roller cage 40x45x30
21	0.007.7646.4/10	2	lock synchronizer ☞ 589 => 589
24	2.1410.022.1	1	circlip 55
25	2.1599.414.0	2	snoulder 40x50x3
26	2.1599.423.0	0	snoulder 40x50x2.9
27	2.1599.424.0	2	snoulder 40x50x2.8
28	2.1599.425.0	0	snoulder 40x50x2.7
33	2.1499.153.7	1	circlip 41x1.5
35	0.007.7647.4	1	lock synchronizer 68 ☞ 590 => 590
45	0.255.3361.0	1	snoulder
67	0.012.9651.3	1	shaft
67.2	2.1555.214.0	1	bushing 25x28x15
76	2.2060.012.0	1	ball bearing 40x90x23
77	2.1411.036.1	1	circlip 90
79	2.0132.408.7	1	screw
80	0.255.3369.0/20	1	shoulder
81	2.1530.141.0	1	'o' ring 57.15x3.53
82	0.007.7647.4	1	lock synchronizer 68 ☞ 590 => 590
83	0.255.3368.0/10	1	bushing
86	2.2063.012.0	1	ball bearing 40x90x23
87	2.1599.422.0	1	snoulder 44
90	0.445.3351.3/30	1	countershaft



Section: GEAR
5 SPEED GEARBOX WITH MINI REDUCTION GEAR

Fig.	Code	QTY	Name
90.2	2.1559.177.0	1	bushing 30x35x25
110	0.000.0000.1	0	not serviceable
110.1	0.011.8384.0	1	gear z = 34
110.2	0.013.1427.0	1	gear z = 37
110.3	0.013.1441.3	1	gear z = 34
110.4	0.010.9106.0	1	output shaft z = 30 - z = 34
110.5	0.013.1426.0	1	gear z = 39 - z = 44
110.6	0.011.3867.0	1	gear z = 19
110.7	0.011.3869.3	1	gear z = 46
110.8	0.445.3358.0/20	1	gear z = 54
110.9	0.010.0006.0/20	1	gear z = 46
110.10	0.013.1433.0	1	gear z = 41
110.11	0.013.1442.3	1	gear z = 31
111	2.1475.004.2	1	washer 13x24

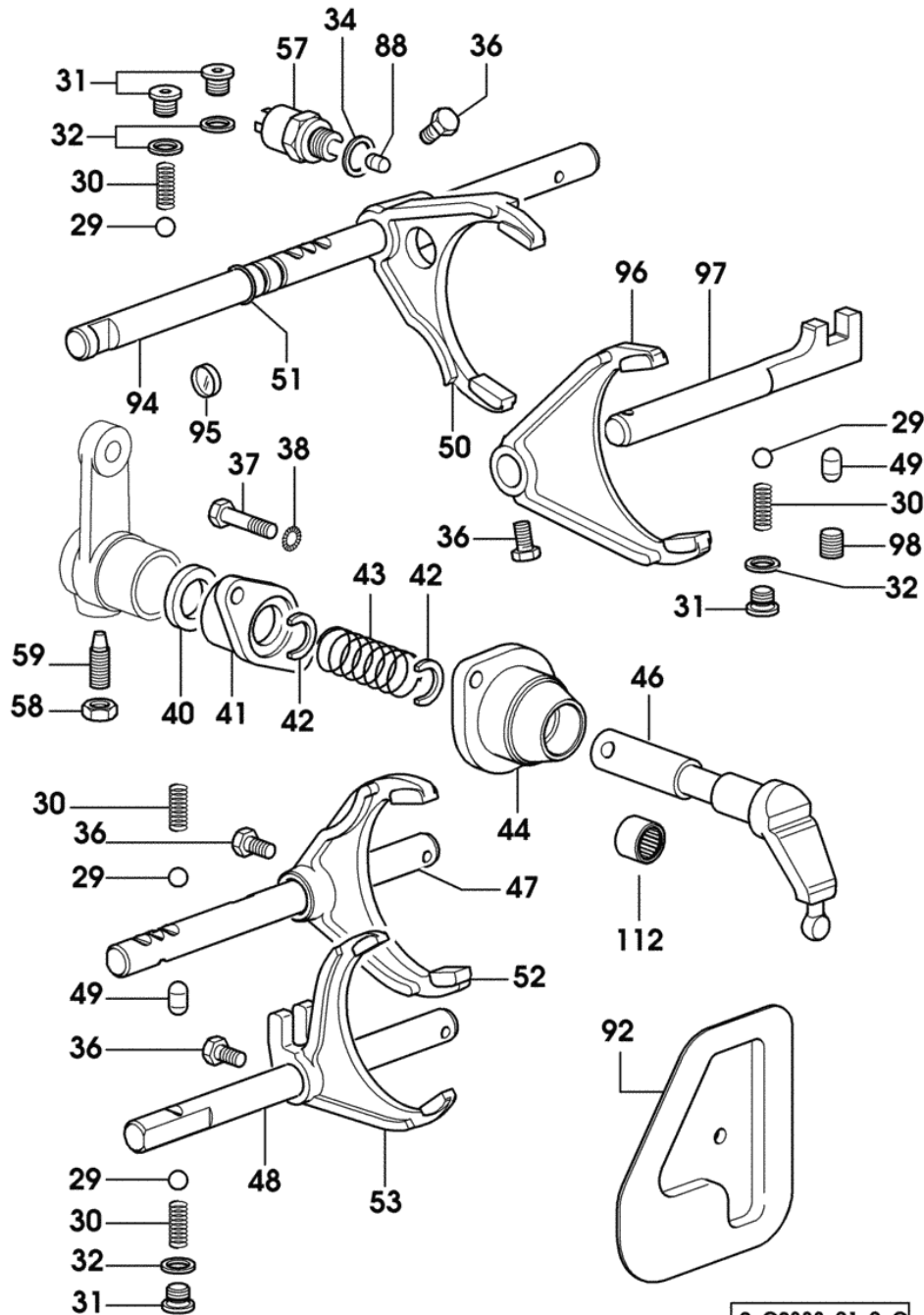


9_C2333_01_0_B

Section: GEAR

5 SPEED GEARBOX WITH MINI REDUCTION GEAR

Fig.	Code	QTY	Name
29	2.2999.156.0	5	ball 10
30	2.4019.622.1	5	spring 6.3x9.5x1.6x22.4
31	2.3199.164.2/20	4	plug
32	2.1560.008.0	4	gasket 12.2x18
34	2.1560.012.0	1	gasket 16.2x22
36	2.0399.019.1	5	screw m 8 p.1x16
37	2.0112.213.2	2	screw m 8 p.1.25x35
38	2.1470.004.2	2	lock washer 8
40	2.1519.075.0	1	'o' ring
41	0.011.5530.0	1	support
42	0.008.5405.0	2	ring
43	2.4019.698.1/10	1	spring
44	0.011.7127.0	1	support
46	0.011.5541.0	1	lever
47	0.445.6421.0/10	1	rod
48	0.445.6420.0/10	1	rod
49	2.1699.159.0	2	pin 10x14.1
50	0.011.8530.0/10	1	fork
51	2.1530.033.0	4	'o' ring 13.10x2.62
52	0.010.0205.0/20	1	fork
53	0.010.0191.0/20	1	fork
57	2.7659.014.0	1	switch
58	2.1011.406.2	1	nut m 10 p.1
59	2.0399.050.2	1	screw m 10 p.1x30
88	2.1699.160.0	1	pin 8x15
92	0.007.3562.3	1	cover
94	0.445.3457.0/20	1	rod
95	2.3171.007.4	1	plug 18
96	0.010.0209.0/20	1	fork
97	0.445.6454.0/20	1	rod
98	2.3131.001.4	1	plug m 12 p.1.5
112	2.2725.030.0	2	roller bearing

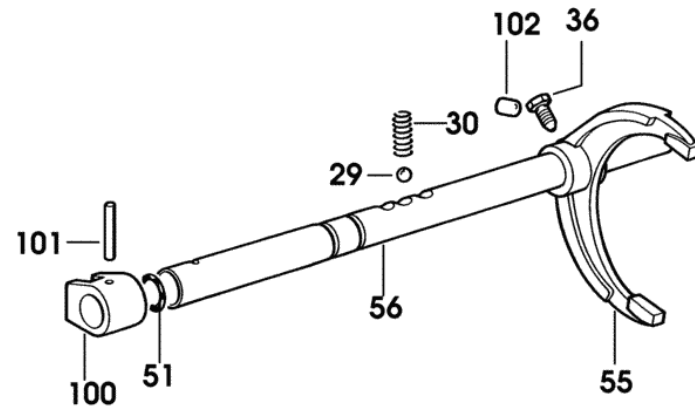


9_C2333_01_0_C

Section: GEAR

5 SPEED GEARBOX WITH MINI REDUCTION GEAR

Fig.	Code	QTY	Name
29	2.2999.156.0	5	ball 10
30	2.4019.622.1	5	spring 6.3x9.5x1.6x22.4
36	2.0399.019.1	5	screw m 8 p.1x16
51	2.1530.033.0	4	'o' ring 13.10x2.62
55	0.010.0202.0/20	1	fork
56	0.445.3456.0/20	1	rod
100	0.255.3463.0	1	rod-head
101	2.1631.514.0	1	roll pin 6x30
102	2.1699.160.0	3	pin 8x15



Section: GEAR
2-RANGE BOX

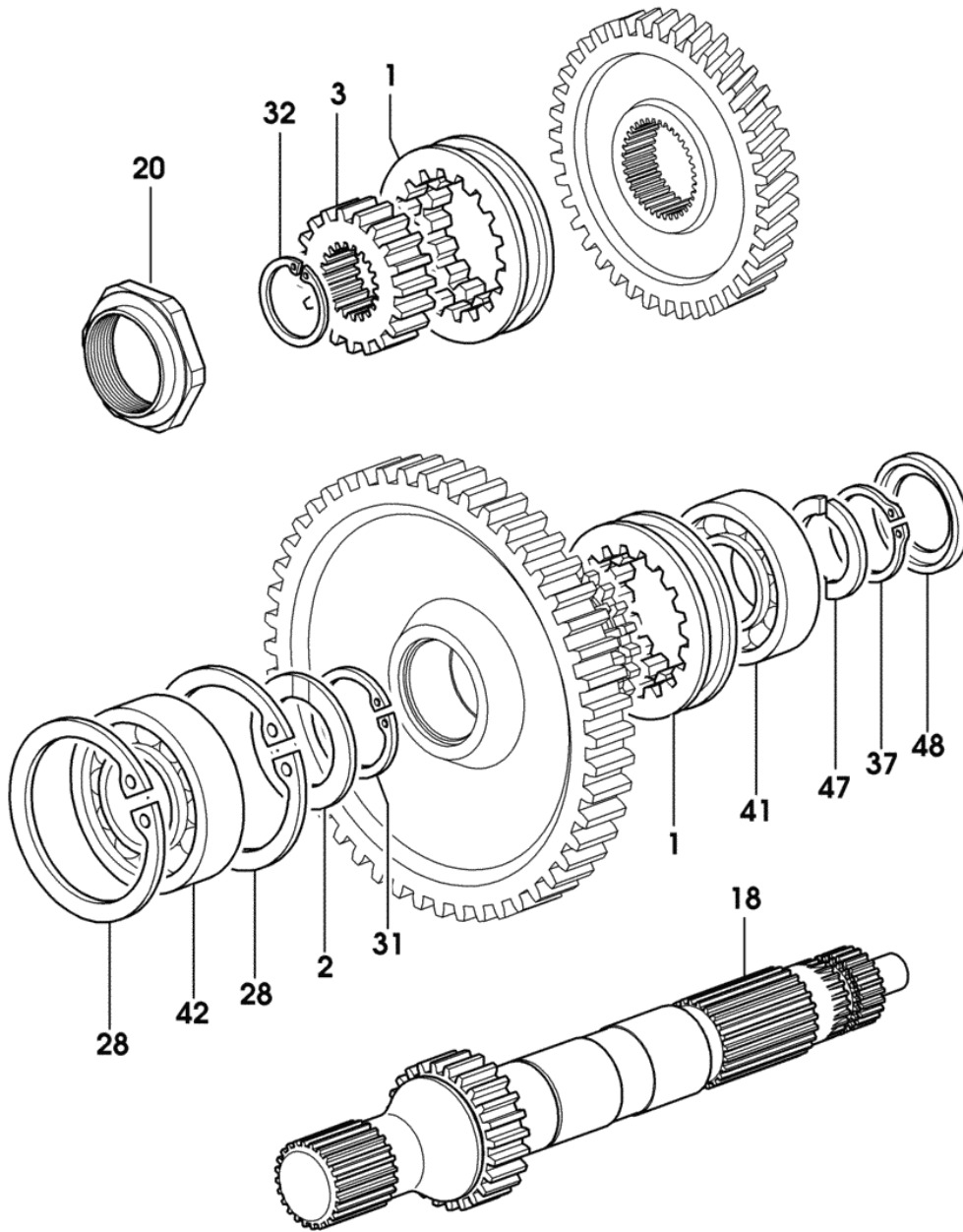
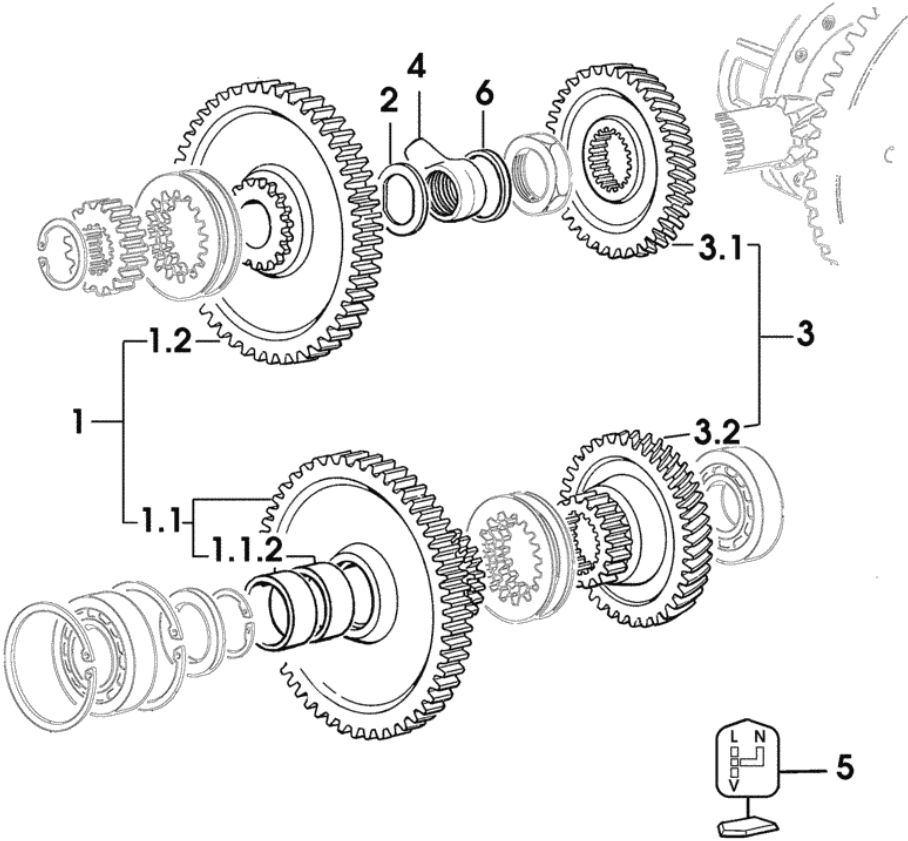


Fig.	Code	QTY	Name
1	0.255.3438.0/20	2	sleeve
2	0.255.3450.0	1	snoulder 40x60x3.5
3	0.255.3455.0	1	hub z=19
18	0.445.3410.0/10	1	reduction shaft
20	2.1219.052.7/10	1	ring nut m 45 p.1.5
28	2.1411.036.1	2	circlip 90
31	2.1499.034.1	1	circlip 40x1.75
32	2.1419.067.0	1	circlip 35x1.5
37	2.1410.014.1	1	circlip 35
41	2.2060.011.0	1	ball bearing 35x80x21
42	2.2060.012.0	1	ball bearing 40x90x23
47	0.008.4480.0/20	1	shoulder
48	0.008.4481.0	1	ring

9_C2334_00_0_A

Section: GEAR
3-RANGE BOX

Fig.	Code	QTY	Name
1	0.000.0000.1	0	not serviceable
1.1	0.445.3434.3/10	1	gear wheel z = 59 - 19
1.1.2	2.1559.176.0	2	bushing 40x44x25
1.2	0.445.3437.0	1	gear z = 59
2	0.445.3450.0	1	snoulder
3	0.000.0000.1	0	not serviceable
3.1	0.010.0761.0	1	gear z = 39
3.2	0.010.0764.0	1	gear z=40 z=19
4	0.007.3547.0	1	manifold
5	0.008.4634.0/10	1	cap
6	2.1579.911.0	1	spacer 40x48x16



Section: GEAR
4-RANGE BOX

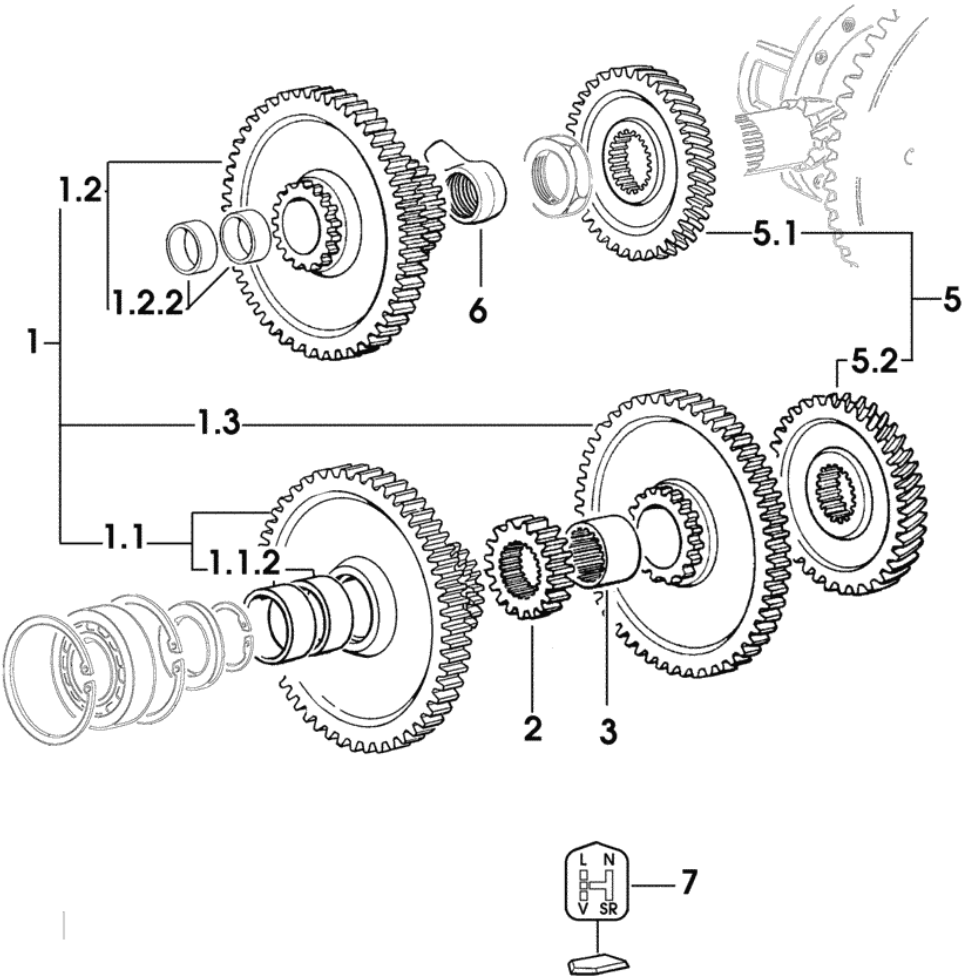
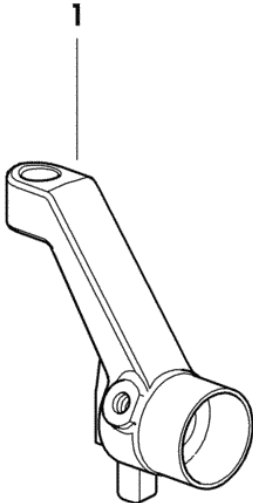


Fig.	Code	QTY	Name
1	0.000.0000.1	0	not serviceable
1.1	0.445.3434.3/10	1	gear wheel z = 59 - 19
1.1.2	2.1559.176.0	2	bushing 40x44x25
1.2	0.445.3452.3/10	1	gear z = 59 - 26
1.2.2	2.1559.176.0	2	bushing 40x44x25
1.3	0.445.3453.0/10	1	gear z=75 z=19
2	0.255.3455.0	1	hub z=19
3	0.445.3455.0/20	1	bushing
5	0.000.0000.1	0	not serviceable
5.1	0.010.0761.0	1	gear z = 39
5.2	0.010.0754.0	1	gear z = 40
6	0.007.3550.0	1	manifold
7	0.008.4635.0/10	1	cap

9_49134_02_0_0

Section: GEAR
GEARSHIFT LEVER

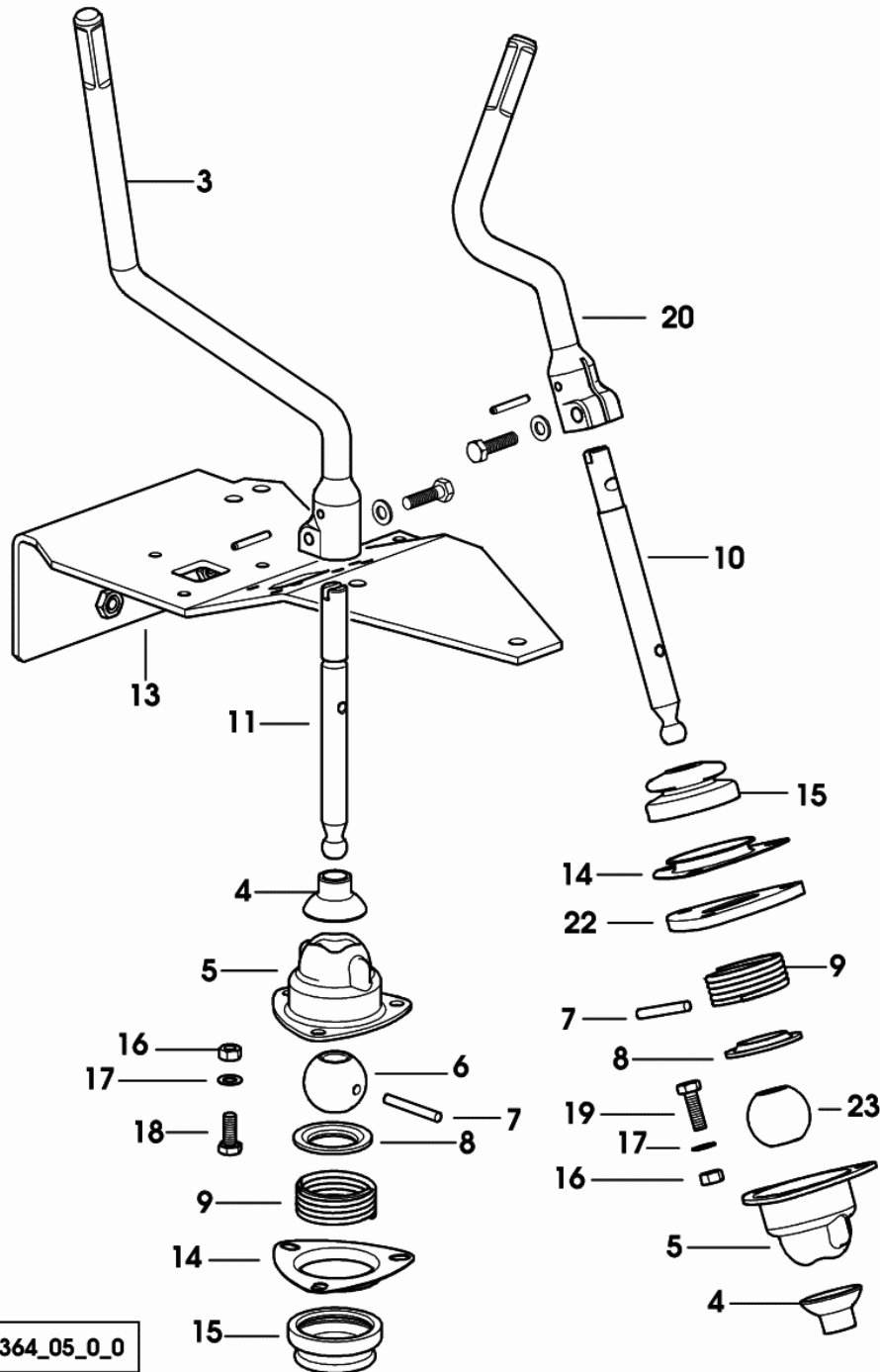
Fig.	Code	QTY	Name
1	0.013.4260.3	1	lever



Section: GEAR

GEARSHIFT LEVER - FOR TYPES WITHOUT UNDERDRIVE

Fig.	Code	QTY	Name
3	0.014.2668.0	1	gear lever
4	0.255.6466.0/10	2	guard
5	0.467.6412.0	2	support
6	0.255.6452.0	1	ball
7	2.1699.184.0	2	pin 6x52
8	0.255.6465.0	2	cup
9	2.4019.309.1/10	2	spring 51x40x4
10	0.014.2152.0	1	lever
11	0.014.2151.0	1	lever
13	0.014.1784.3	1	support
14	0.159.6450.0	2	support
15	0.255.6451.0/10	2	cap
16	2.1011.105.2	6	nut m 8 p.1.25
17	2.1470.004.2	6	lock washer 8
18	2.0112.207.2	3	screw m 8 p 1.25x20
19	2.0112.209.2	3	screw m 8 p 1.25x25
20	0.014.2669.0	1	lever
22	0.011.1220.0	1	plate
23	0.008.4446.0	1	ball



9_C2364_05_0_0

Section: GEAR

GEARSHIFT LEVER - FOR TYPES WITH MINREDUCTION

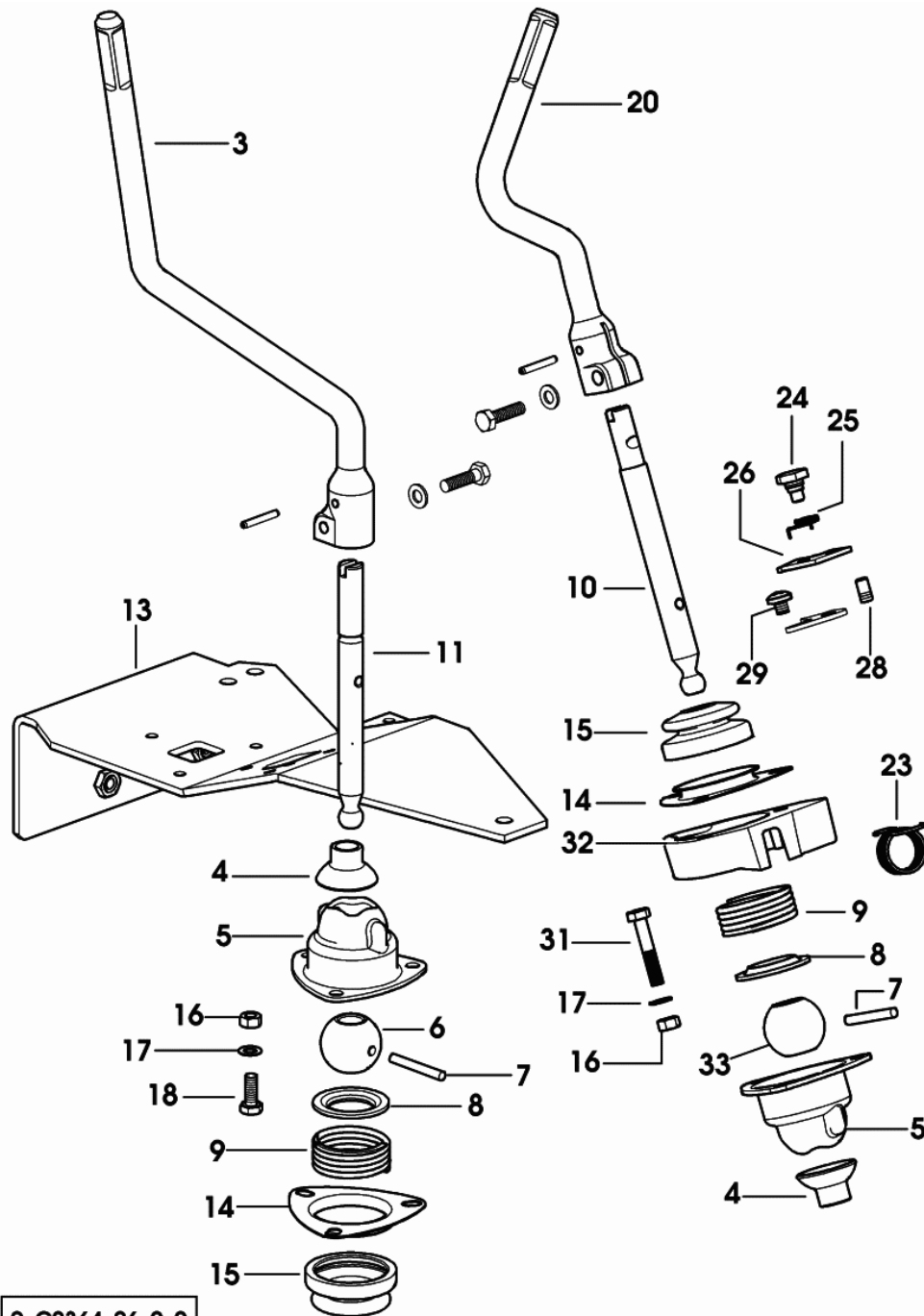
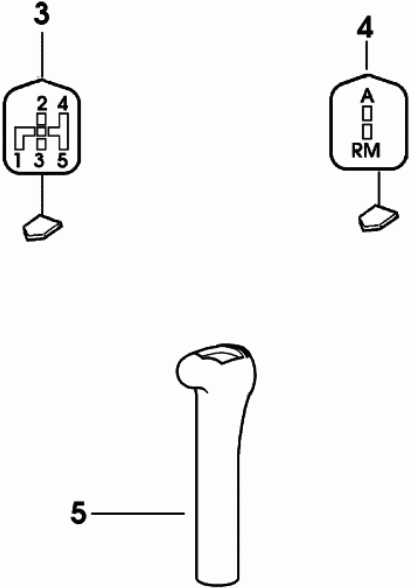


Fig.	Code	QTY	Name
3	0.014.2668.0	1	gear lever
4	0.255.6466.0/10	2	guard
5	0.467.6412.0	2	support
6	0.255.6452.0	1	ball
7	2.1699.184.0	2	pin 6x52
8	0.255.6465.0	2	cup
9	2.4019.309.1/10	2	spring 51x40x4
10	0.014.2152.0	1	lever
11	0.014.2151.0	1	lever
13	0.014.1784.3	1	support
14	0.159.6450.0	2	support
15	0.255.6451.0/10	2	cap
16	2.1011.105.2	6	nut m 8 p.1.25
17	2.1470.004.2	6	lock washer 8
18	2.0112.207.2	3	screw m 8 p 1.25x20
20	0.014.2669.0	1	lever
23	2.4049.152.1	1	spring
24	2.0119.126.2/10	1	screw
25	2.4099.035.1/10	1	spring
26	0.255.3464.0/10	1	plate
28	2.0439.185.1	1	screw
29	2.0332.502.2	1	screw
31	2.0112.217.2	3	screw m 8 p.1.25x45
32	0.451.6450.0	1	spacer
33	0.008.4446.0	1	ball

Section: GEAR
GEAR LEVER KNOB CAP

Fig.	Code	QTY	Name
3	0.008.2935.0/20	1	cap
4	0.008.2940.0/10	1	cap
5	0.008.2837.0/10	1	knob

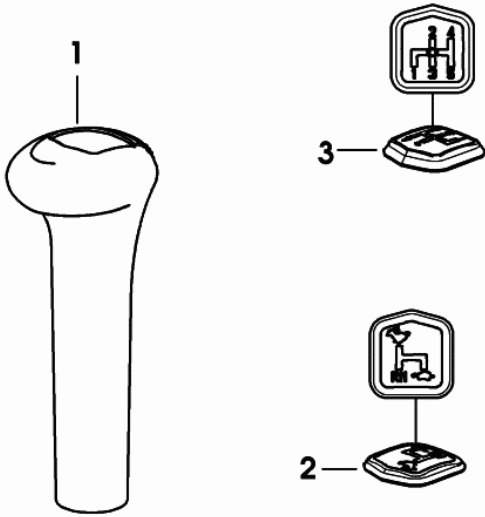


9_50864_02_0_0

Section: GEAR

SYNCHROMESH SPLITTER COVER

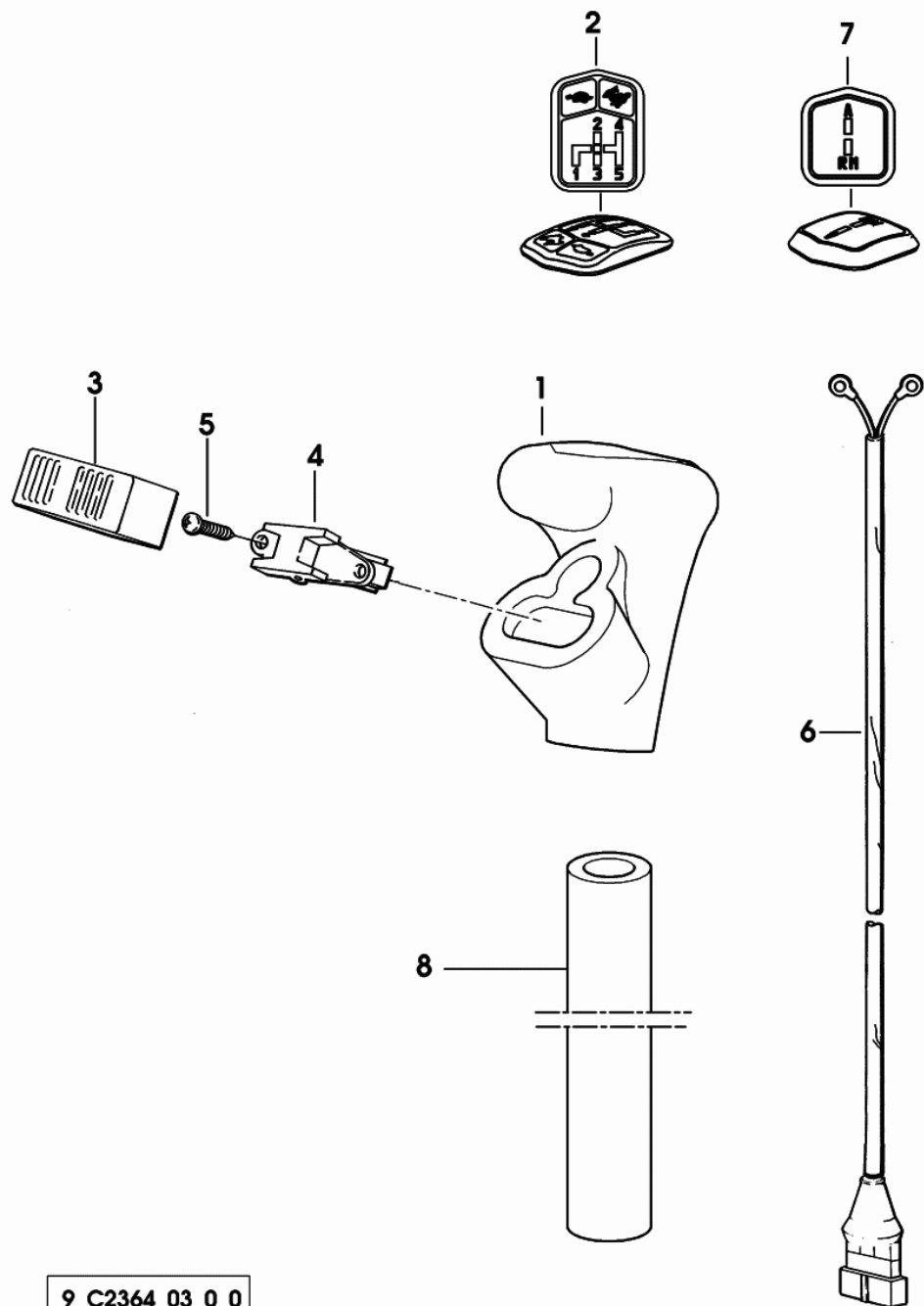
Fig.	Code	QTY	Name
1	0.008.2837.0/10	1	knob
2	0.008.2937.0/10	1	cap
3	0.008.2935.0/20	1	cap



Section: GEAR

GEARSHIFT LEVER - FOR SYNCRO POWER TYPES

Fig.	Code	QTY	Name
1	0.008.2809.2/10	1	knob
2	0.008.2934.0/10	1	cap
3	0.008.2811.0	1	push-button
4	0.008.2818.3	1	push-button
5	2.0350.456.6	2	screw 4.2x19
6	0.008.3035.3/10	1	wire
7	0.008.2940.0/10	1	cap
8	0.014.3278.0	1	sheath



Section: GEAR

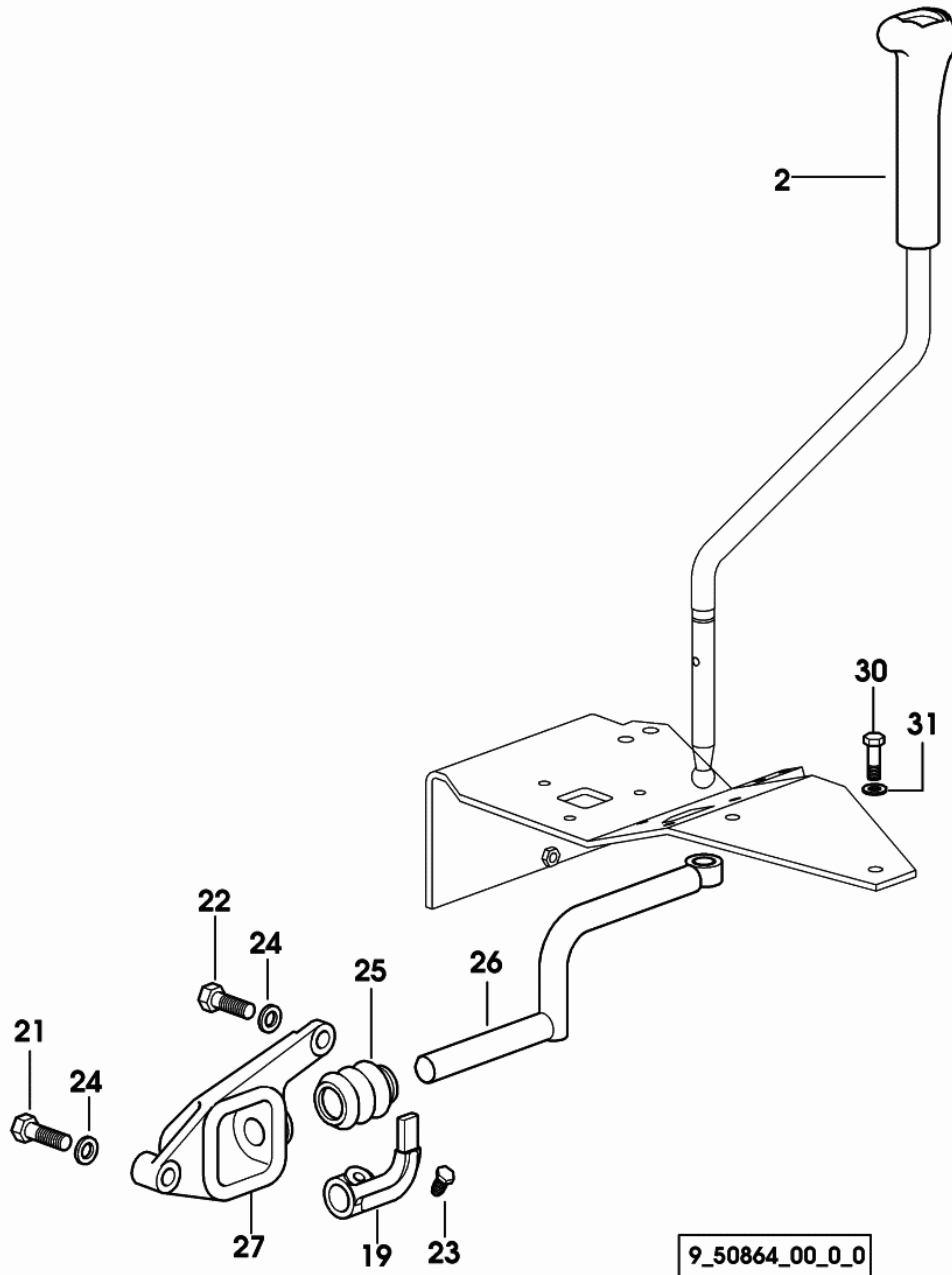
REVERSING GEAR UNIT CONTROL

Fig.	Code	QTY	Name
------	------	-----	------

Notes:

1083 <- X EXPLORER 75 T 1010 <- X EXPLORER 75 TB 1054 <- X EXPLORER 85 T 1008 <- X EXPLORER 85 TB 1066 <- X EXPLORER 95 T 1057 <- X EXPLORER 95 TB

2	0.008.2837.0/10	1	knob
19	0.290.6452.2/10	1	lever
21	2.0312.410.2	1	screw m 12
22	2.0312.408.2	1	screw M12X25
23	2.0399.019.1	1	screw m 8 p.1x16
24	2.1480.016.1	2	washer 12
25	0.233.6479.0	1	guard
26	0.290.6451.2/10	1	rod
27	0.290.6450.0/30	1	support
30	2.0112.309.2	2	screw m 10 p.1.5x25
31	2.1470.006.2	2	lock washer 10



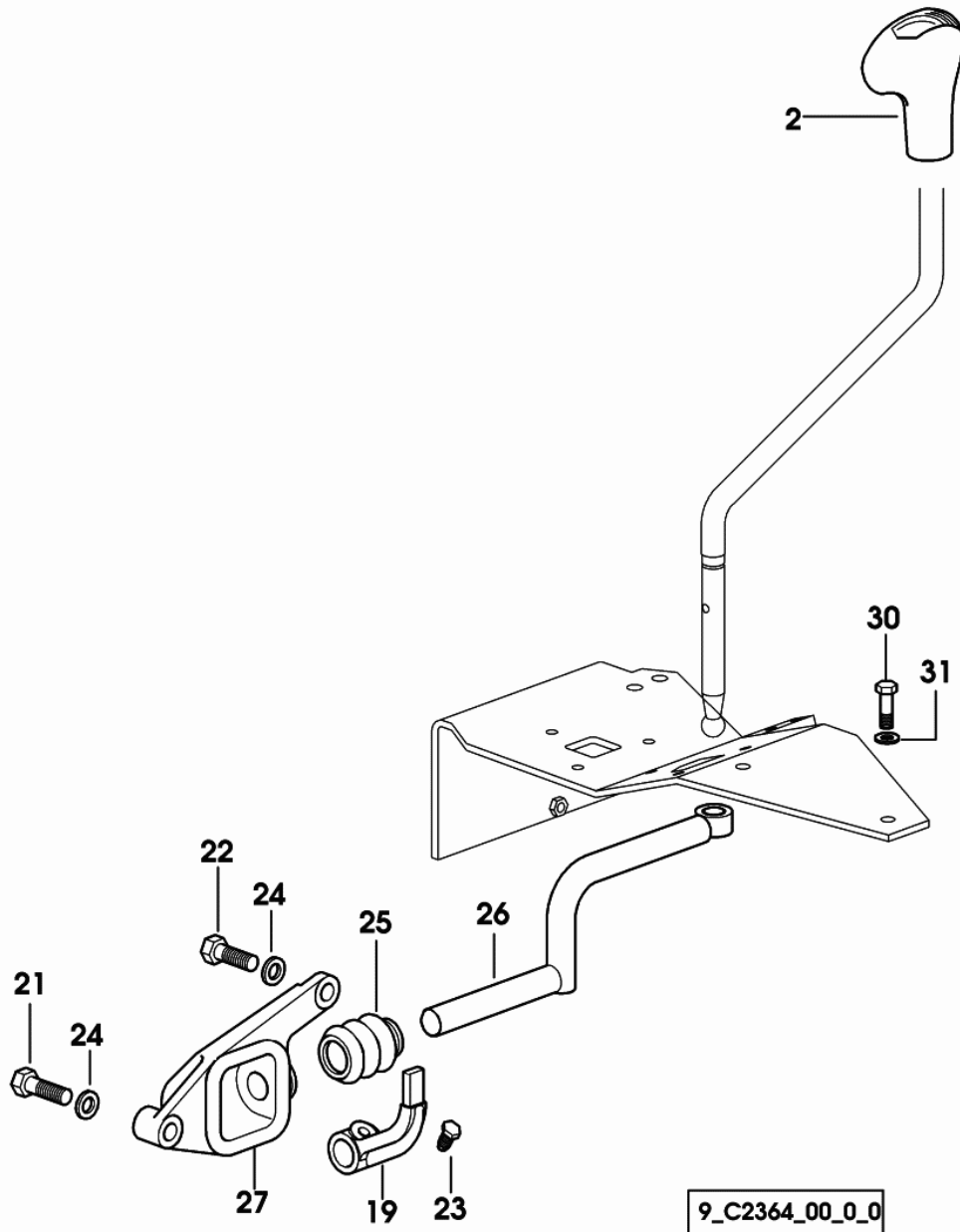
Section: GEAR

REVERSING GEAR UNIT CONTROL

Fig.	Code	QTY	Name
------	------	-----	------

Notes:

-> 1084 X EXPLORER 75T -> 1011 X EXPLORER 75TB -> 1055 X EXPLORER 85T -> 1009 X EXPLORER 85TB -> 1067 X EXPLORER 95T -> 1058 X EXPLORER 95TB

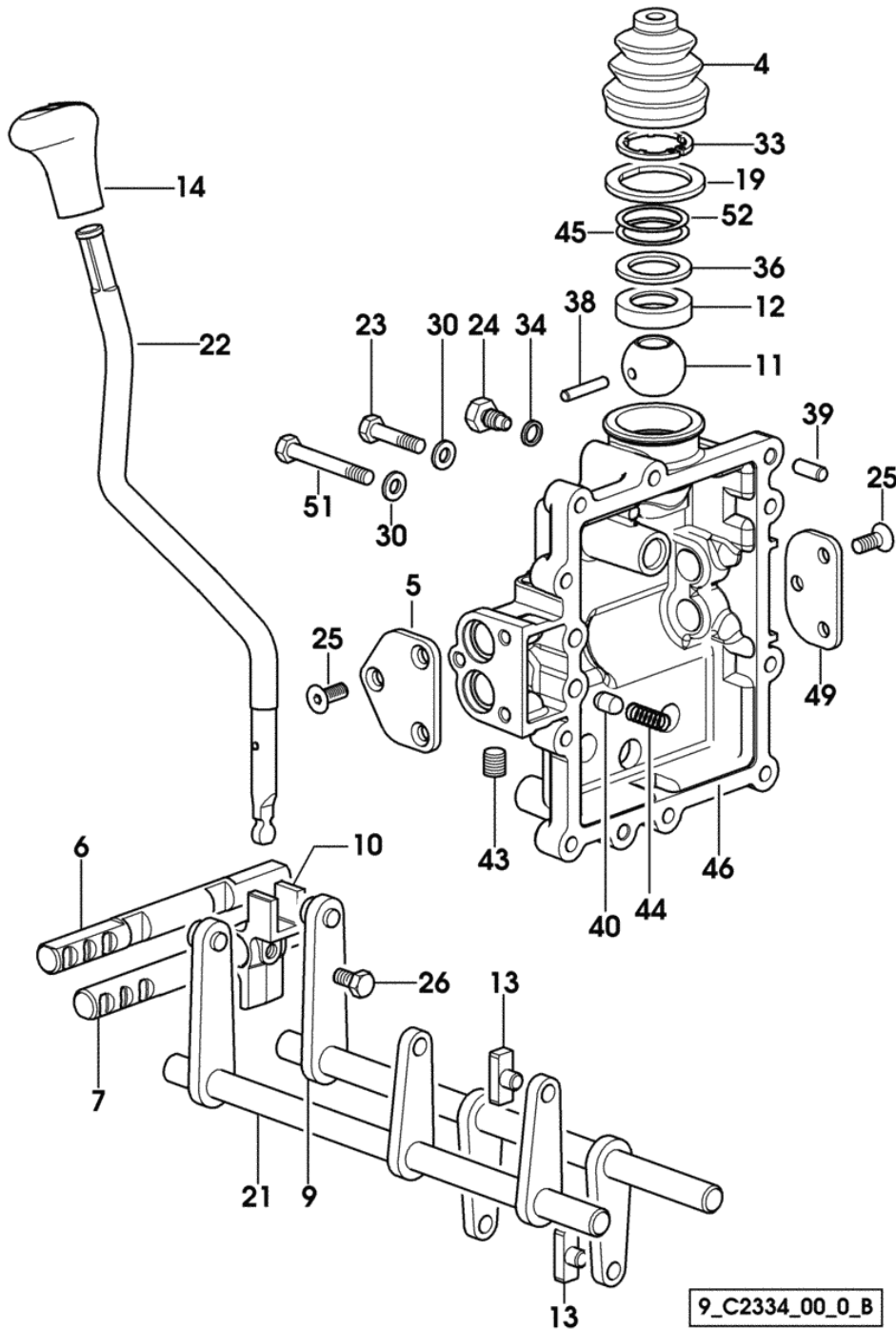


2	0.008.8683.0	1	knob
19	0.290.6452.2/10	1	lever
21	2.0312.410.2	1	screw m 12
22	2.0312.408.2	1	screw M12X25
23	2.0399.019.1	1	screw m 8 p.1x16
24	2.1480.016.1	2	washer 12
25	0.233.6479.0	1	guard
26	0.290.6451.2/10	1	rod
27	0.290.6450.0/30	1	support
30	2.0112.309.2	2	screw m 10 p.1.5x25
31	2.1470.006.2	2	lock washer 10

Section: GEAR

SPEED RANGE REDUCTION GEAR UNIT

Fig.	Code	QTY	Name
4	0.159.6415.0/10	1	guard
5	0.013.5464.0	2	plate
6	0.013.5459.0	1	rod
7	0.013.5460.0	1	rod
9	0.013.5359.2	1	fork
10	0.013.5458.0	1	hub
11	0.255.6461.0	1	ball
12	0.255.6462.0/10	1	spacer
13	0.255.6463.0	4	shoe
14	0.008.8683.0	1	knob
19	0.445.3450.0	1	snoulder
21	0.445.6438.2	1	fork
22	0.014.3094.0/10	1	lever
23	2.0112.213.2	8	screw m 8 p.1.25x35
24	2.0119.124.2	1	screw m 10x16
25	2.0342.305.3	6	screw m 8 p 1.25x20
26	2.0399.019.1	1	screw m 8 p.1x16
30	2.1481.007.1	9	washer 8
33	2.1499.054.1	1	circlip 42
34	2.1560.005.0	1	gasket 10.2x14
36	2.1599.429.0	1	snoulder 28x41.5
38	2.1631.515.9	1	roll pin 6x32
39	2.1651.709.0	2	pin 8x20
40	2.1699.159.0	3	pin 10x14.1
43	2.3131.001.4	1	plug m 12 p.1.5
44	2.4019.622.1	2	spring 6.3x9.5x1.6x22.4
45	2.1580.115.0	3	shim 32.5x40x0.5
46	0.013.5466.0	1	cover
49	0.013.5465.0	1	plate
51	2.0112.222.2	1	screw m 8 p.1.25x65
52	2.1580.114.0	2	shim 32.5x40x0.2

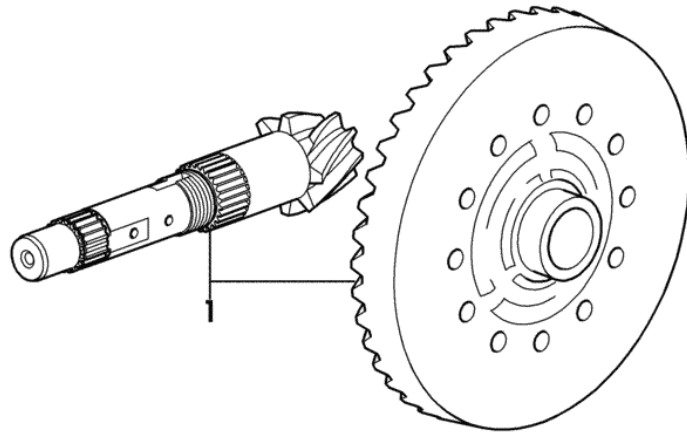


9_C2334_00_0_B

Section: GEAR

BEVEL WHEEL GEAR 30 Km/h

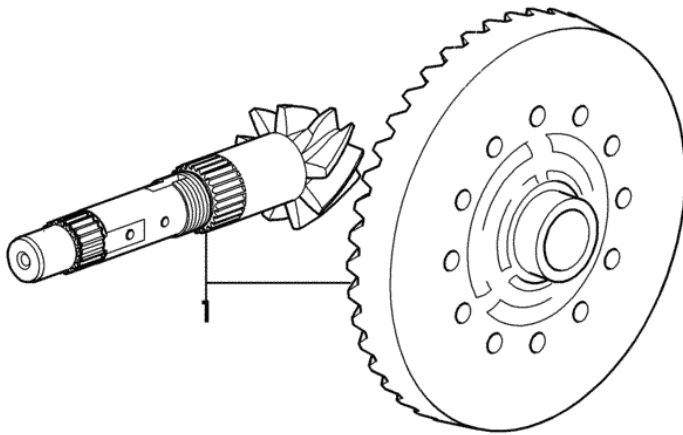
Fig.	Code	QTY	Name
1	0.445.3520.3/20	1	bevel gear z=8 z=41



Section: GEAR

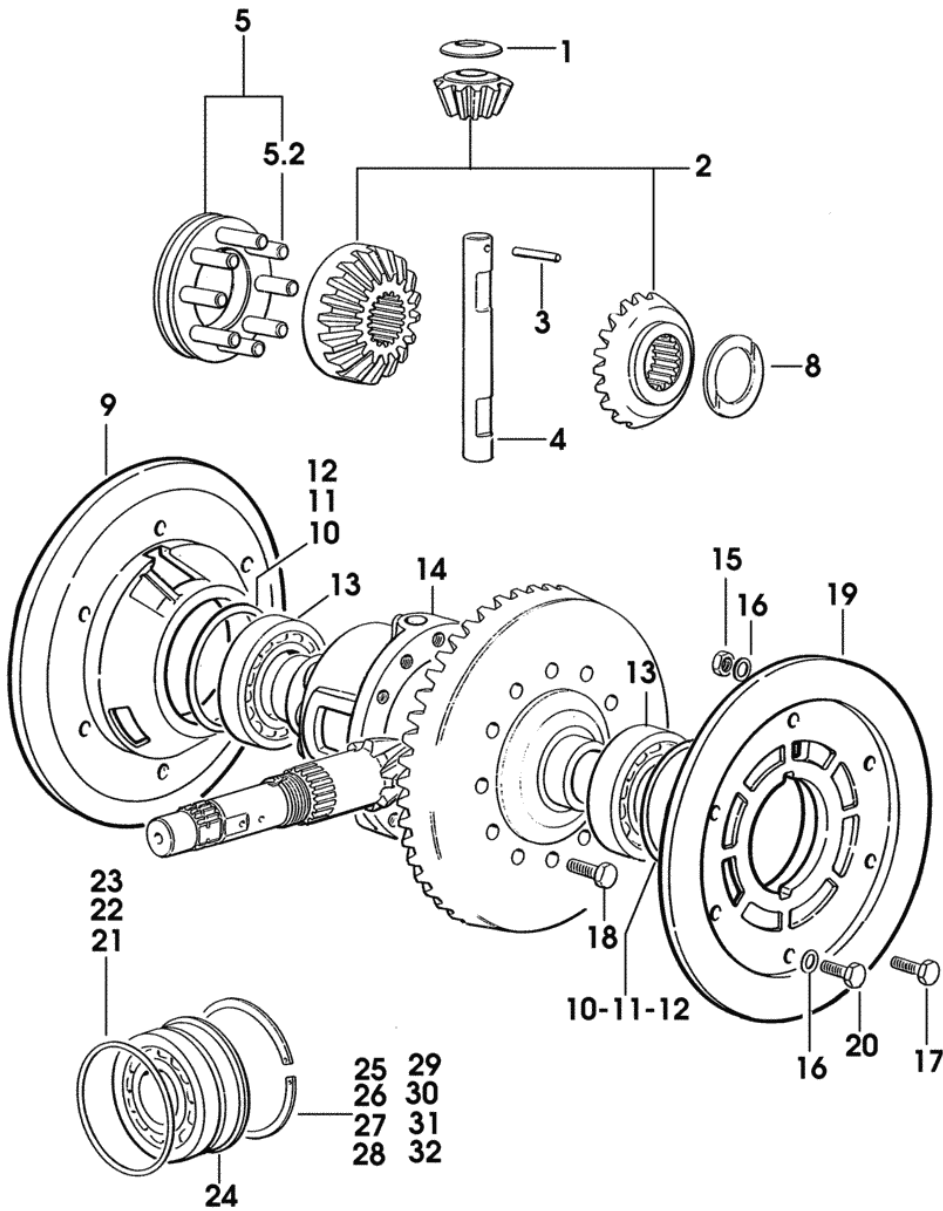
BEVEL WHEEL GEAR 40 Km/h

Fig.	Code	QTY	Name
1	0.445.3552.3	1	bevel gear z=10 z=39



Section: GEAR
DIFFERENTIAL

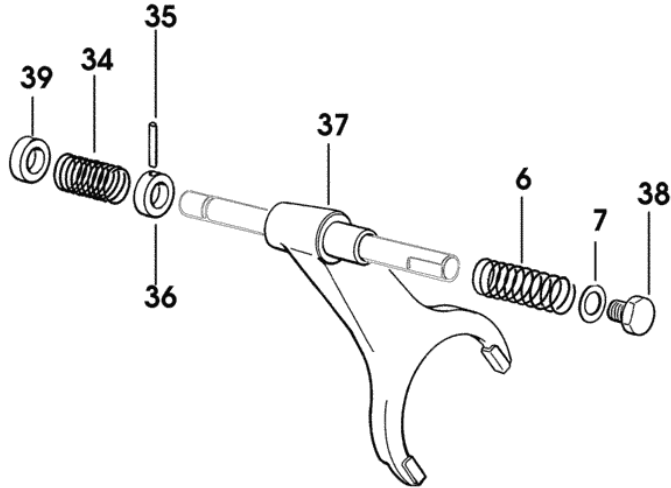
Fig.	Code	QTY	Name
1	0.157.3550.0	2	snoulder
2	0.445.3522.3/20	1	crown wheel
3	2.1631.519.0	1	roll pin 6x50
4	0.010.0368.0	1	pin
5	0.135.3527.3/20	1	sleeve
5.2	0.135.3550.0/10	12	pin
8	2.1599.427.0/10	2	snoulder 42x64x0.3
9	0.255.3512.0/20	1	support
10	2.1580.319.0	5	shim 86x98x0.5
11	2.1580.320.0	4	shim 86x98x0.2
12	2.1580.321.0	2	shim 86x98x0.15
13	2.2520.012.0	2	roller bearing 55x100x22.75
14	0.445.3510.0/10	1	half box
15	2.1011.106.2	2	nut m 10 p.1.5
16	2.1470.006.2	14	lock washer 10
17	2.0114.315.2	2	screw m 10 p.1.5x40
18	2.0129.028.2	12	screw m 12 p.1.25x30
19	0.255.3513.0/20	1	support
20	2.0112.313.2	10	screw m 10 p.1.5x35
21	2.1589.167.0	1	shim 105x112x0.15
22	2.1589.168.0	1	shim 105x112x0.1
23	2.1589.169.0	1	shim 105x112x0.5
24	2.2999.196.0	1	roller bearing
25	2.1499.061.1	0	circlip 120x3.4
26	2.1499.062.1	0	circlip 120x3.5
27	2.1499.063.1	0	circlip 120x3.6
28	2.1499.064.1	0	circlip 120x3.7
29	2.1499.065.1	0	circlip 120x3.8
30	2.1499.066.1	0	circlip 120x3.9
31	2.1499.067.1	0	circlip 120x4
32	2.1499.068.1	0	circlip 120x4.1



9_54635_00_0_A

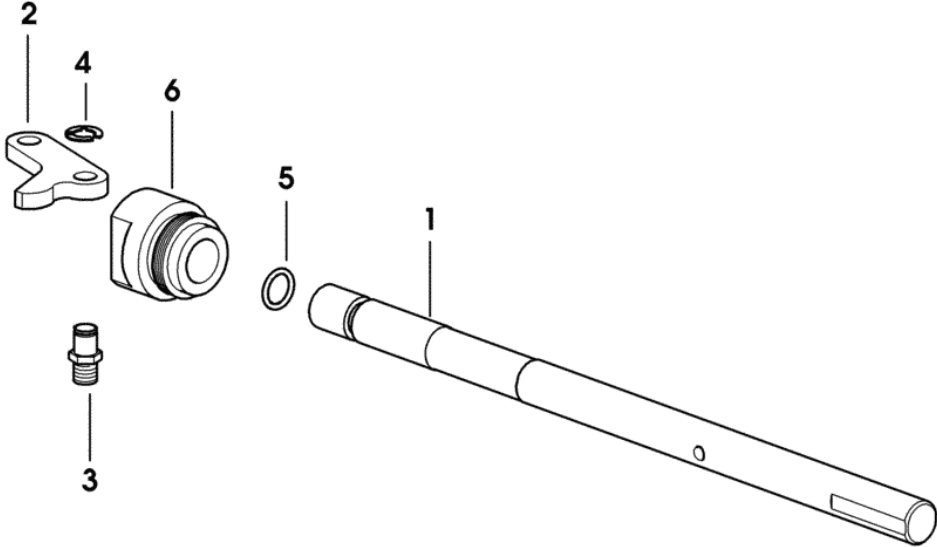
Section: GEAR
DIFFERENTIAL LOCK

Fig.	Code	QTY	Name
6	2.4019.225.1	1	spring 28x79x4.5
7	2.1560.014.0	1	gasket 18.2x24x1.5
34	2.4019.339.1	1	spring 32x56.5x3.5
35	2.1631.415.2	1	roll pin 5x32
36	0.190.6858.0	1	stop
37	0.445.3541.0/10	1	fork
38	2.3110.405.1	1	plug m 18 p.1.5x15
39	2.1549.146.0	1	spacer 16.5X36X12



Section: GEAR
DIFFERENTIAL LOCK CONTROL - MECHANICAL

Fig.	Code	QTY	Name
1	0.008.5024.0	1	rod mm 295
2	0.135.6813.0/10	1	small lever
3	2.1699.213.2	1	pin
4	2.1430.008.7	1	circlip 7
5	2.1530.028.0	1	'o' ring 11.91x2.62
6	2.3199.247.2	1	plug

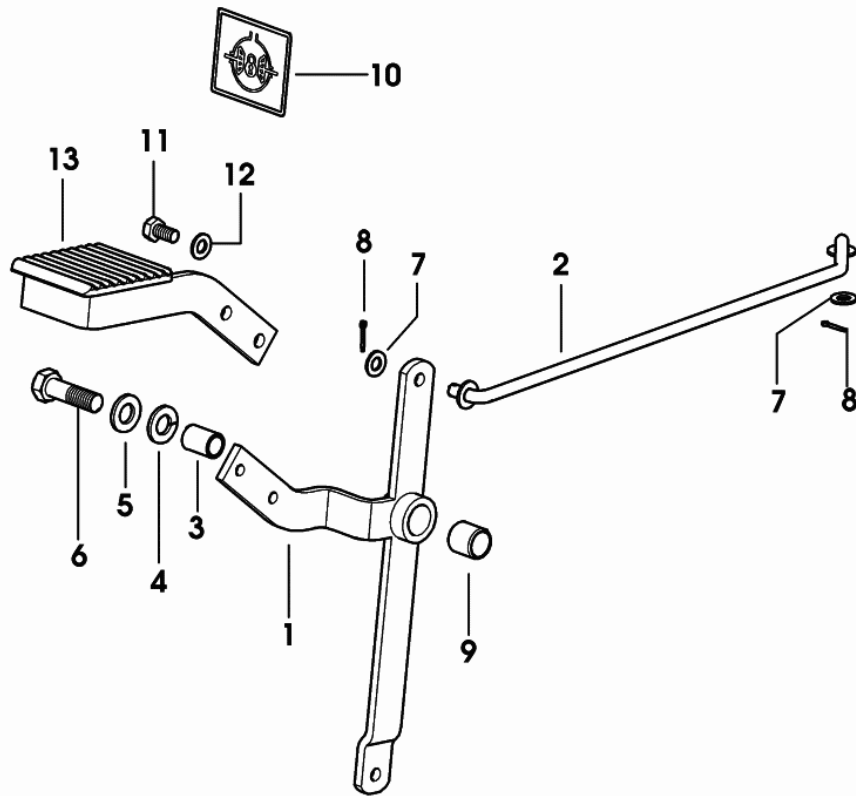


9_54635_03_0_0

Section: GEAR

DIFFERENTIAL LOCK CONTROL

Fig.	Code	QTY	Name
1	0.014.1910.3/20	1	lever
2	0.008.0619.2/10	1	rod
3	2.1559.461.2	1	bushing
4	2.1499.032.1	1	spring washer
5	2.1310.007.2	1	flat washer 13x24
6	2.0112.415.2	1	screw m 12 p.1.75x40
7	2.1310.004.2	2	flat washer 8.4x16
8	2.1690.206.2	1	split pin 2x16
9	2.1559.128.0	1	bushing 16x20x20
10	0.007.7370.0	1	plate
11	2.0112.205.2	2	screw m 8 p.1.25x16
12	2.1310.004.2	2	flat washer 8.4x16
13	0.014.2126.3/10	1	pedal



EXPLORER 85 T

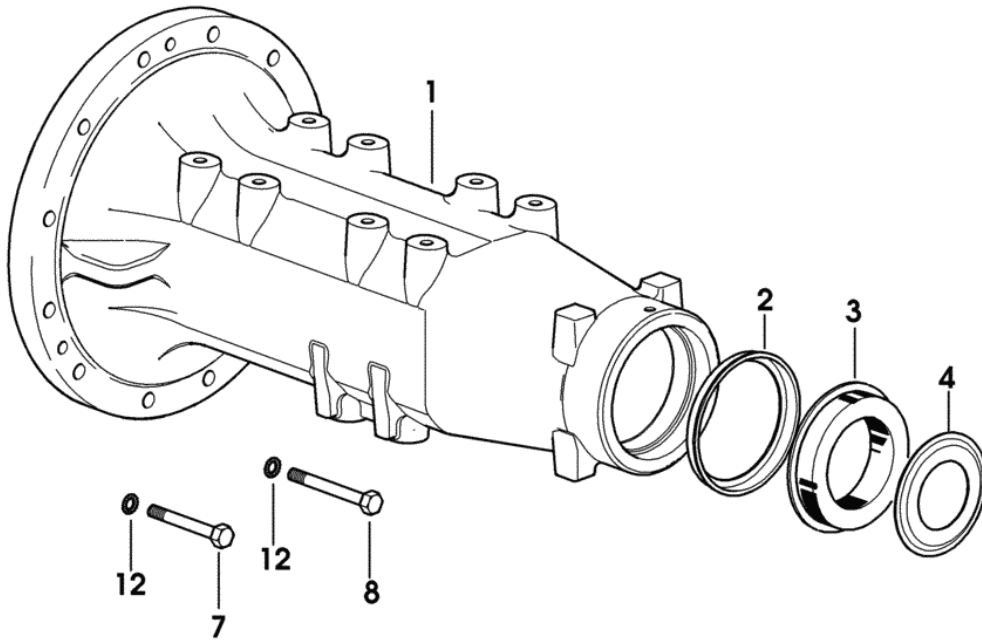
REAR AXEL

REAR AXLE WATER PROOF.....	158
REAR AXLE.....	159
REAR AXLE - MOUNTINGS.....	161
HANDBRAKE BRACKET FOR TRAILER.....	162
REAR REDUCTION GEARS AND AXLE SHAFTS.....	164
REAR REDUCTION GEARS AND AXLE SHAFTS.....	166
BRAKE CONTROLS.....	167
BRAKE PIPES.....	169
BLAKES BLOCK.....	171
RELAY VALVE.....	172
REAR BRAKES.....	175
REAR BRAKES.....	177
HAND BRAKE.....	180
HAND BRAKE - FOR TRACTORS WITH HYDRAULIK BREAKING FOR TRAILER.....	181
HAND BRAKE.....	184

Section: REAR AXEL

REAR AXLE WATER PROOF

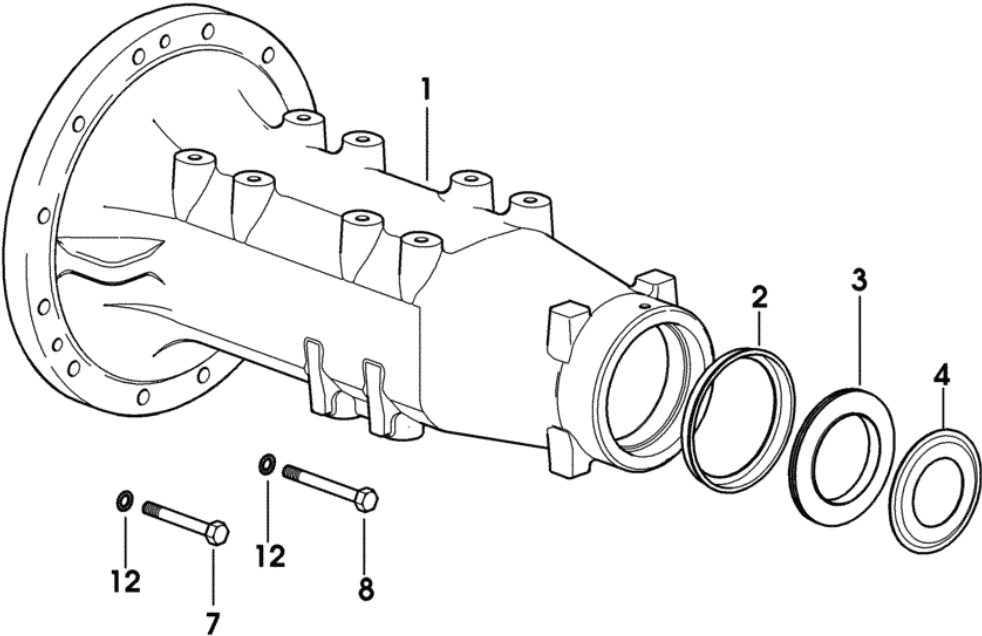
Fig.	Code	QTY	Name
1	0.445.4410.0/30	2	wheel support
2	0.255.4450.0	2	cup
3	2.1529.105.0/10	2	'o' ring
4	0.445.4450.0	2	cup
7	2.0112.325.2	5	screw m 10 p.1.5x80
8	2.0112.327.2	1	screw m 10 p.1.5x90
12	2.1470.006.2	6	lock washer 10



9_55244_10_0_0

Section: REAR AXEL
REAR AXLE

Fig.	Code	QTY	Name
1	0.445.4410.0/30	2	wheel support
2	0.255.4450.0	2	cup
3	2.1569.104.0	2	'o' ring 80x118.2x12
4	0.445.4450.0	2	cup
7	2.0112.325.2	5	screw m 10 p.1.5x80
8	2.0112.327.2	1	screw m 10 p.1.5x90
12	2.1470.006.2	6	lock washer 10

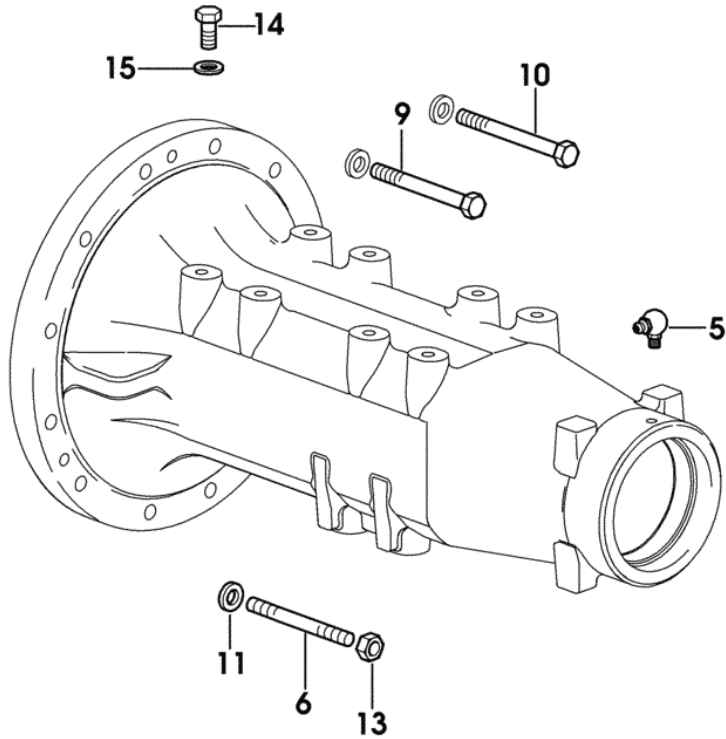


9_40544_10_0_0

Section: REAR AXEL

REAR AXLE - MOUNTINGS

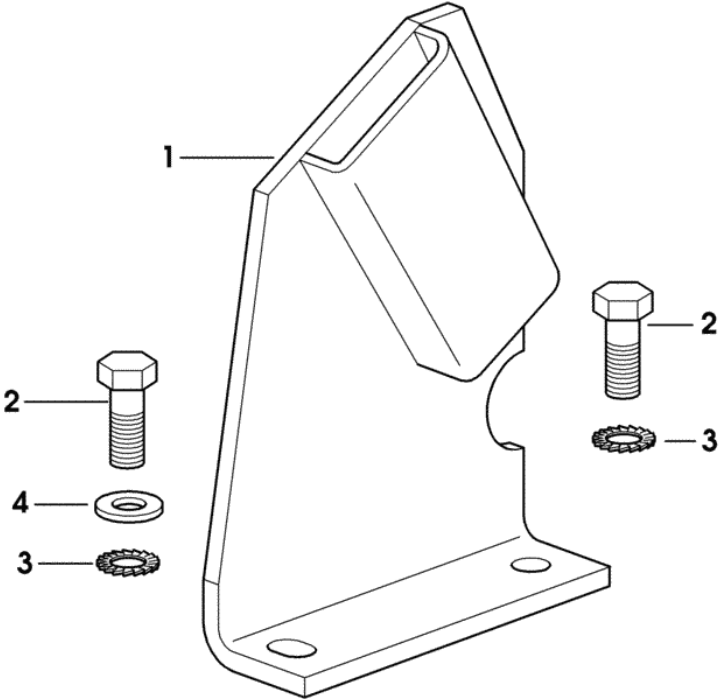
Fig.	Code	QTY	Name
5	2.3821.103.2	2	lubricator m 10 p.1
6	2.0422.426.7	6	stud bolt m 12x110
9	2.0112.431.2	16	screw m 12 p.1.75x110
10	2.0112.433.2	2	screw m 12 p.1.75x120
11	2.1475.004.7	24	washer 13x24
13	2.1011.107.2	4	nut m 12 p.1.75
14	2.0112.409.2	1	screw m 12 p.1.75x25
15	2.1310.007.2	1	flat washer 13x24



9_40544_00_0_0

Section: REAR AXEL
HANDBRAKE BRACKET FOR TRAILER

Fig.	Code	QTY	Name
1	0.008.8480.2	1	bracket
2	2.0112.309.2	2	screw m 10 p.1.5x25
3	2.1470.006.2	2	lock washer 10
4	2.1310.006.2	2	flat washer 10.5x20



9_50844_20_0_0

Section: REAR AXEL

REAR REDUCTION GEARS AND AXLE SHAFTS

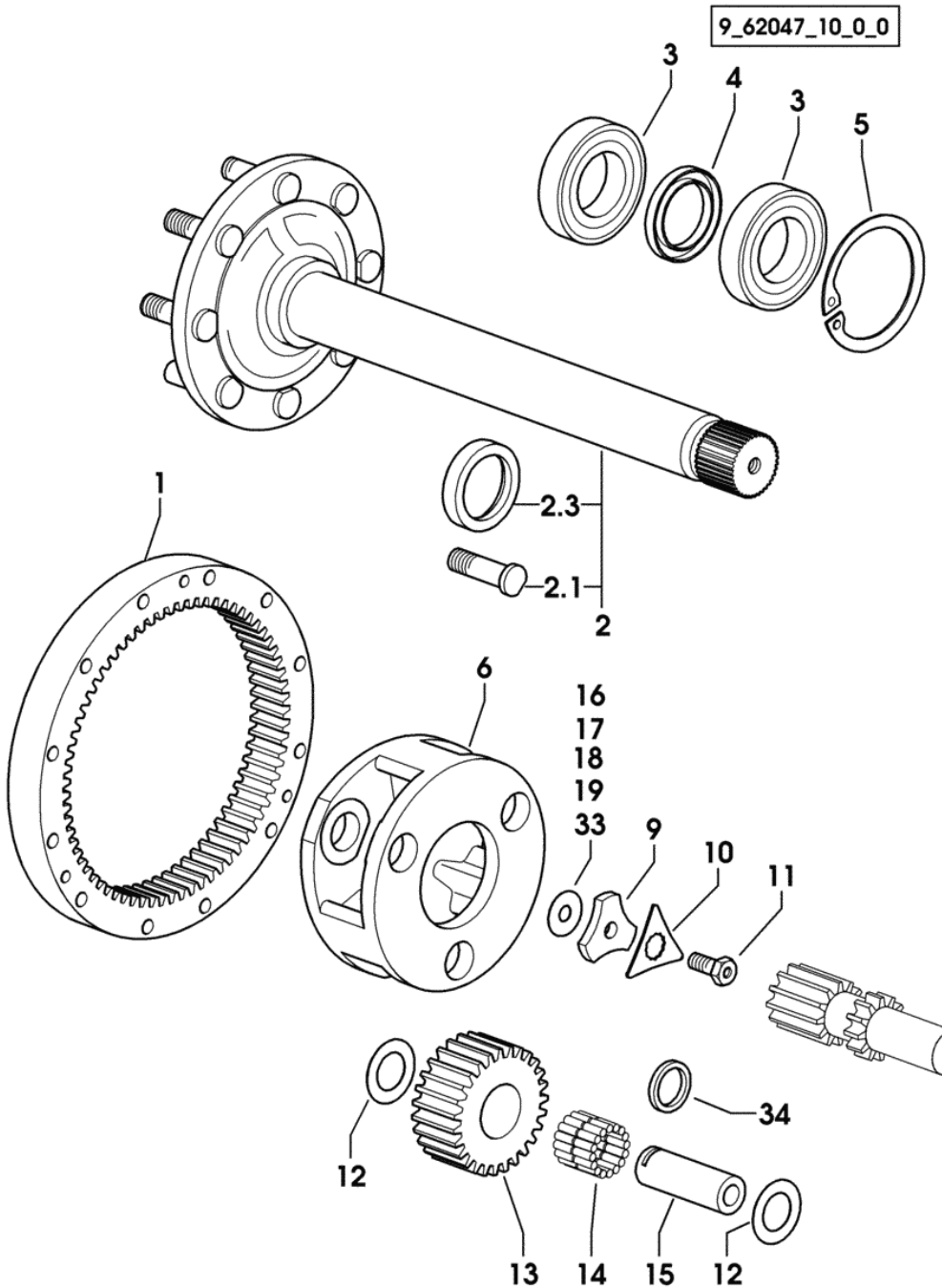
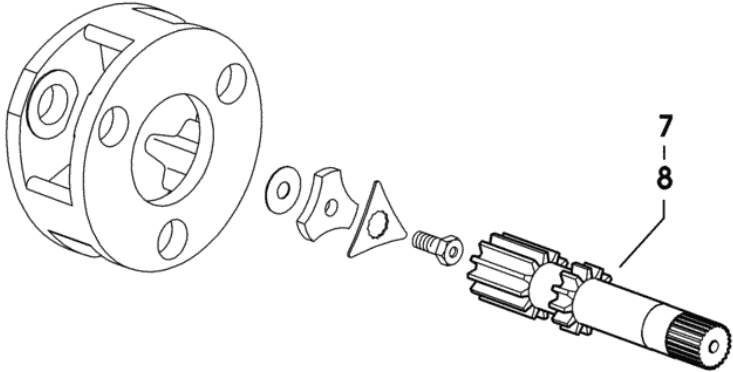


Fig.	Code	QTY	Name
1	0.445.4440.0	2	crown wheel
2	0.445.4734.3/30	2	half-shaft
2.1	0.148.4737.0/20	8	small column m 20x68
2.3	0.445.4750.0	1	spacer
3	2.2520.013.0	4	roller bearing 60x110x23.75
4	2.1510.331.0	2	'o' ring 60x85x10
5	2.1410.045.1	2	circlip 125
6	0.008.5581.0	2	spider
9	0.255.4745.0	2	spacer
10	0.255.4750.0/10	2	washer
11	2.0139.014.1	2	screw m 14 p.1.5x33
12	2.1589.170.0	12	shim 35x58x1
13	0.008.5582.0	6	planet gear
14	2.2999.197.0	6	roller cage
15	0.445.4725.0	6	pin
16	2.1589.106.0	6	shim 14.5x41x1
17	2.1589.107.0	2	shim 14.5x41x0.5
18	2.1589.108.0	2	shim 14.5x41x0.2
19	2.1589.109.0	2	shim 14.5x41x0.1
33	2.1589.246.0	2	shim 14.5x41x0.15
34	2.1549.138.0	6	spacer

9_62047_00_0_0

Section: REAR AXEL
REAR REDUCTION GEARS AND AXLE SHAFTS

Fig.	Code	QTY	Name
7	0.445.4730.0/10	1	reduction shaft dx
8	0.445.4731.0	1	reduction shaft sx



Section: REAR AXEL
BRAKE CONTROLS

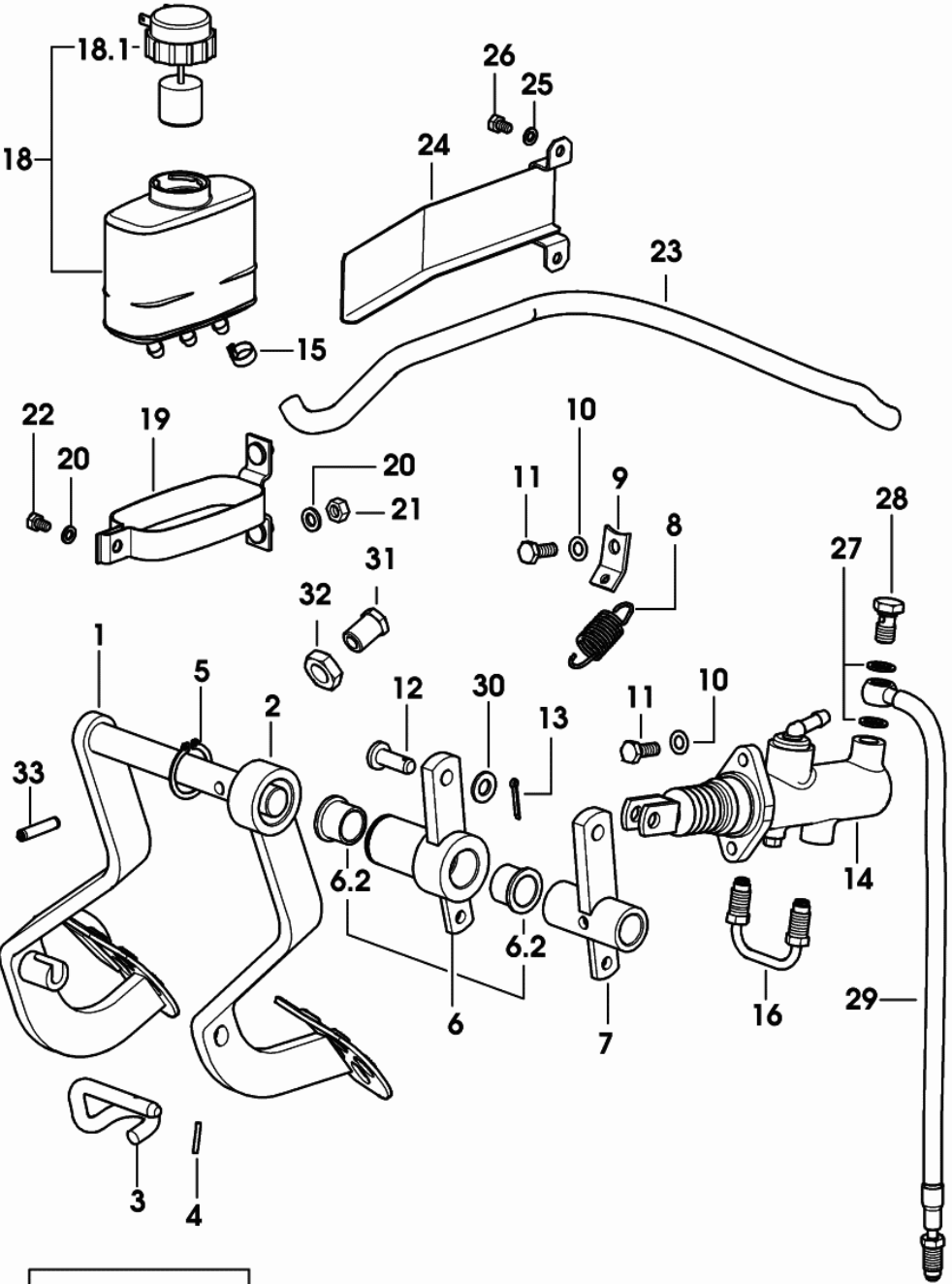


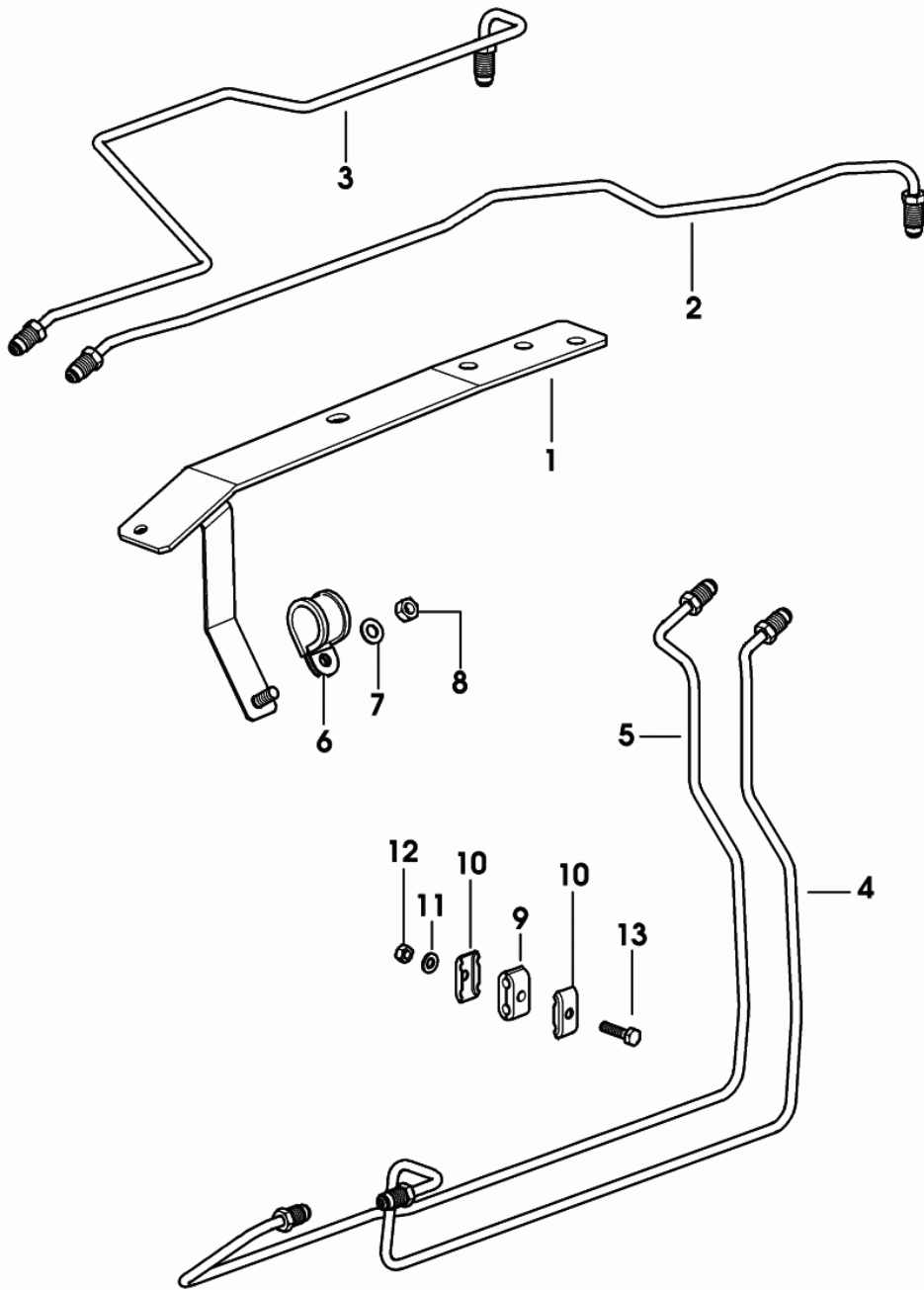
Fig.	Code	QTY	Name
1	0.014.1533.3	1	pedal dx
2	0.007.3779.3/40	1	pedal sx
3	0.226.6613.0	1	pin
4	2.1630.210.9	1	pin 3x20
5	2.1410.013.1	1	circlip 32
6	0.007.3782.3/10	1	brake lever dx
6.2	2.1559.271.0	2	sleeve 20x30x20
7	0.007.3783.2/10	1	lever sx
8	2.4049.161.2	2	spring 18x41x2
9	0.009.8376.0	2	small plate
10	2.1470.004.2	4	lock washer 8
11	2.0112.207.2	4	screw m 8 p 1.25x20
12	2.1671.407.2	2	pin 10x28
13	2.1690.308.2	2	split pin 3.2x20
14	0.009.9234.4	2	brake cylinder
15	2.6857.019.0	4	clamp 14
16	0.255.6660.3/10	1	tube
18	0.255.6694.4/20	1	tank
18.1	0.257.6654.3/10	1	plug
19	0.257.6662.2	1	clamp
20	2.1310.002.2	3	flat washer 6.4x12.5
21	2.1011.103.2	2	nut m 6 p.1
22	2.0112.005.2	1	screw m 6 p.1x16
23	0.012.6343.0	0	tube
24	0.014.3233.2/10	1	channel
25	2.1470.002.2	2	lock washer 6
26	2.0112.002.2	2	screw m 6 p.1x10
27	2.1560.008.0	4	gasket 12.2x18
28	2.3339.431.2/10	2	pipe union m 12 p.1.25
29	0.014.2498.3	2	tube
30	2.1310.006.2	2	flat washer 10.5x20
31	0.012.5596.0/20	1	bushing
32	2.1011.509.2	1	nut m 16 p.1.5
33	2.1632.715.2	1	pin

9_C2366_00_0_0

Section: REAR AXEL

BRAKE PIPES

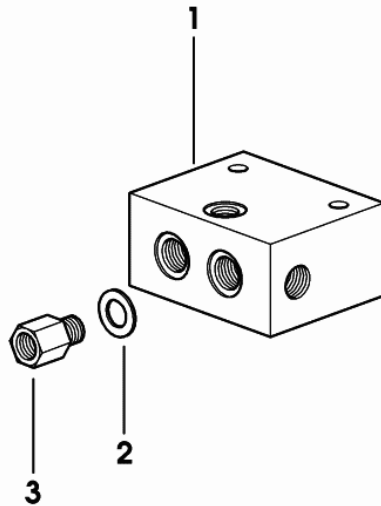
Fig.	Code	QTY	Name
1	0.014.2128.3/10	1	bracket
2	0.014.2470.3/20	1	tube sx
3	0.014.2471.3/10	1	tube dx
4	0.014.2473.3	1	tube sx
5	0.014.2472.3	1	tube dx
6	2.6839.054.0	1	clamp 25/20
7	2.1310.004.2	1	flat washer 8.4x16
8	2.1011.105.2	1	nut m 8 p.1.25
9	0.013.1564.0	2	terminal
10	0.013.1566.0	4	small plate
11	2.1310.002.2	2	flat washer 6.4x12.5
12	2.1011.103.2	2	nut m 6 p.1
13	2.0112.009.2	2	screw m 6 p.1x25



Section: REAR AXEL

BLAKES BLOCK

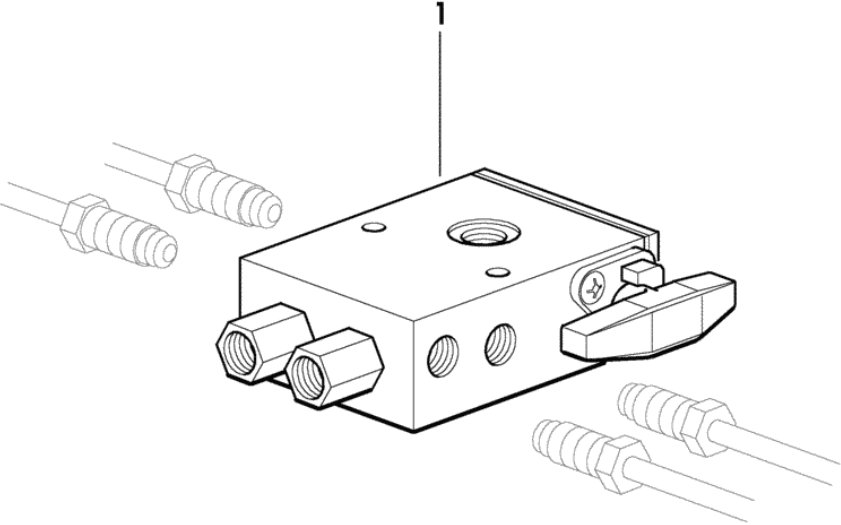
Fig.	Code	QTY	Name
1	0.445.6676.0/10	1	small block
2	2.1560.008.0	2	gasket 12.2x18 -> 1096 X EXPLORER 75T -> 1077 X EXPLORER 85T -> 1118 X EXPLORER 95T
3	2.3249.029.2	2	pipe fitting m 12 p.1,25x26.5 -> 1096 X EXPLORER 75T -> 1077 X EXPLORER 85T -> 1118 X EXPLORER 95T



9_49066_10_0_0

Section: REAR AXEL
RELAY VALVE

Fig.	Code	QTY	Name
1	0.008.8673.4/20	1	valve



9_50866_02_0_0

9_40554_10_0_0

EXPLORER 85 T

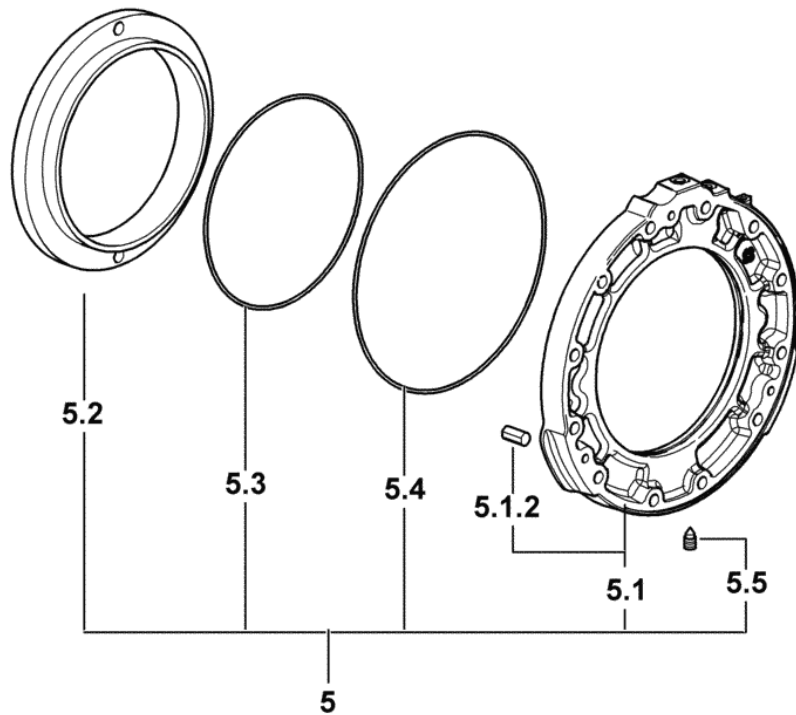
Ref.: 175

Section: REAR AXEL

REAR BRAKES

Fig.	Code	QTY	Name
5	0.000.0000.1	0	not serviceable
5.1	0.008.5031.3/40	1	box
5.1.2	2.1699.190.0	2	pin 14x28
5.2	0.255.5448.0/20	1	piston
5.3	2.1539.180.0	1	'o' ring 228x3.53
5.4	2.1539.179.0	1	'o' ring 279x3.53
5.5	2.3139.013.7	1	plug

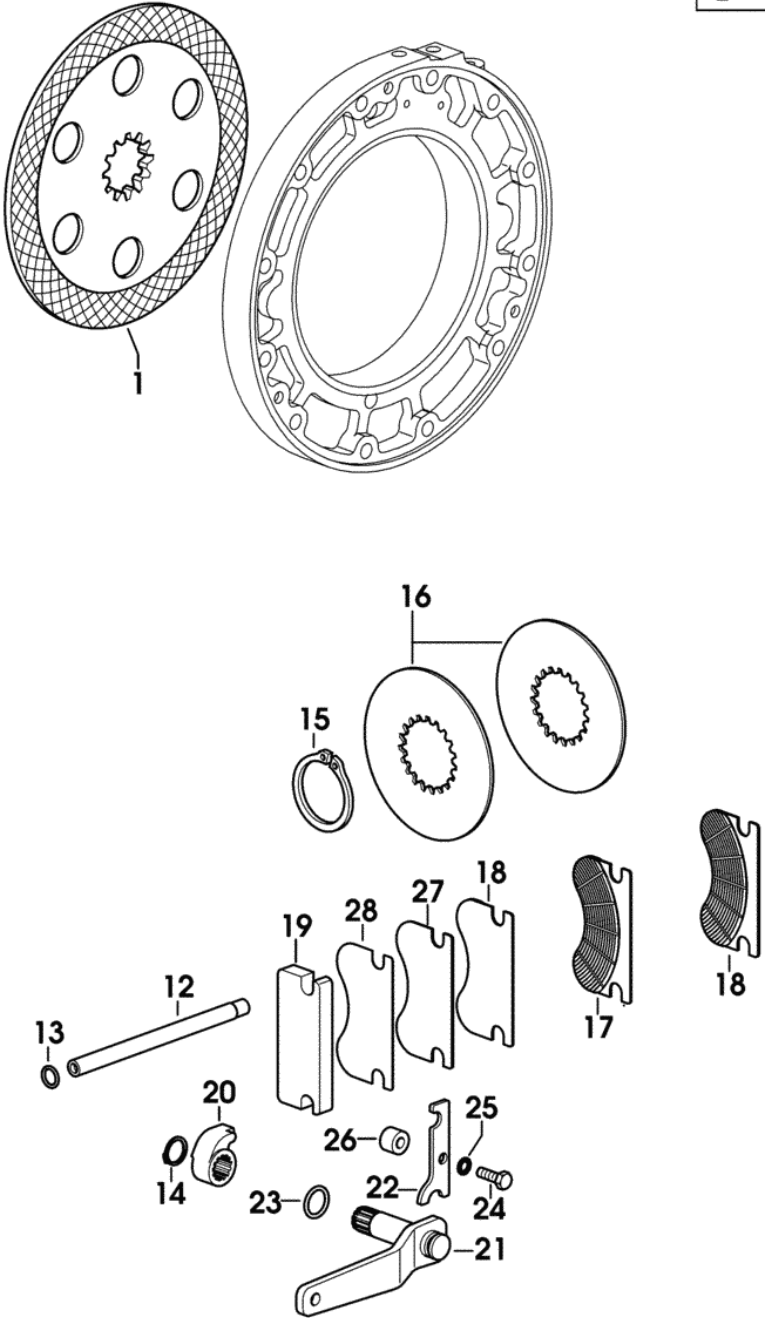
-> 1095 X EXPLORER 85T
-> 1134 X EXPLORER 95T



9_61454_00_0_0

Section: REAR AXEL
REAR BRAKES

Fig.	Code	QTY	Name
1	0.009.7067.2	2	brake disc
12	0.445.5450.0	2	small column
13	2.1530.034.0	1	'o' ring 13.95x2.62
14	2.1410.006.1	1	circlip 20
15	2.1410.022.1	1	circlip 55
16	0.255.5452.0	3	brake disc 150
17	0.171.5459.2	2	sector
18	0.171.5451.2	2	sector
19	0.188.5459.0/20	1	plate
20	0.008.4287.0/20	1	brake lever
21	0.008.4286.2/10	1	h/brake lever
22	0.445.5451.0	1	small plate
23	2.1530.043.0	1	'o' ring 17.13x2.62
24	2.0112.209.2	1	screw m 8 p 1.25x25
25	2.1470.004.2	1	lock washer 8
26	2.1549.015.0	1	spacer 9x20x14.5
27	0.011.5484.0	1	shim mm 1
28	0.011.5486.0	1	shim mm 2



Section: REAR AXEL

HAND BRAKE

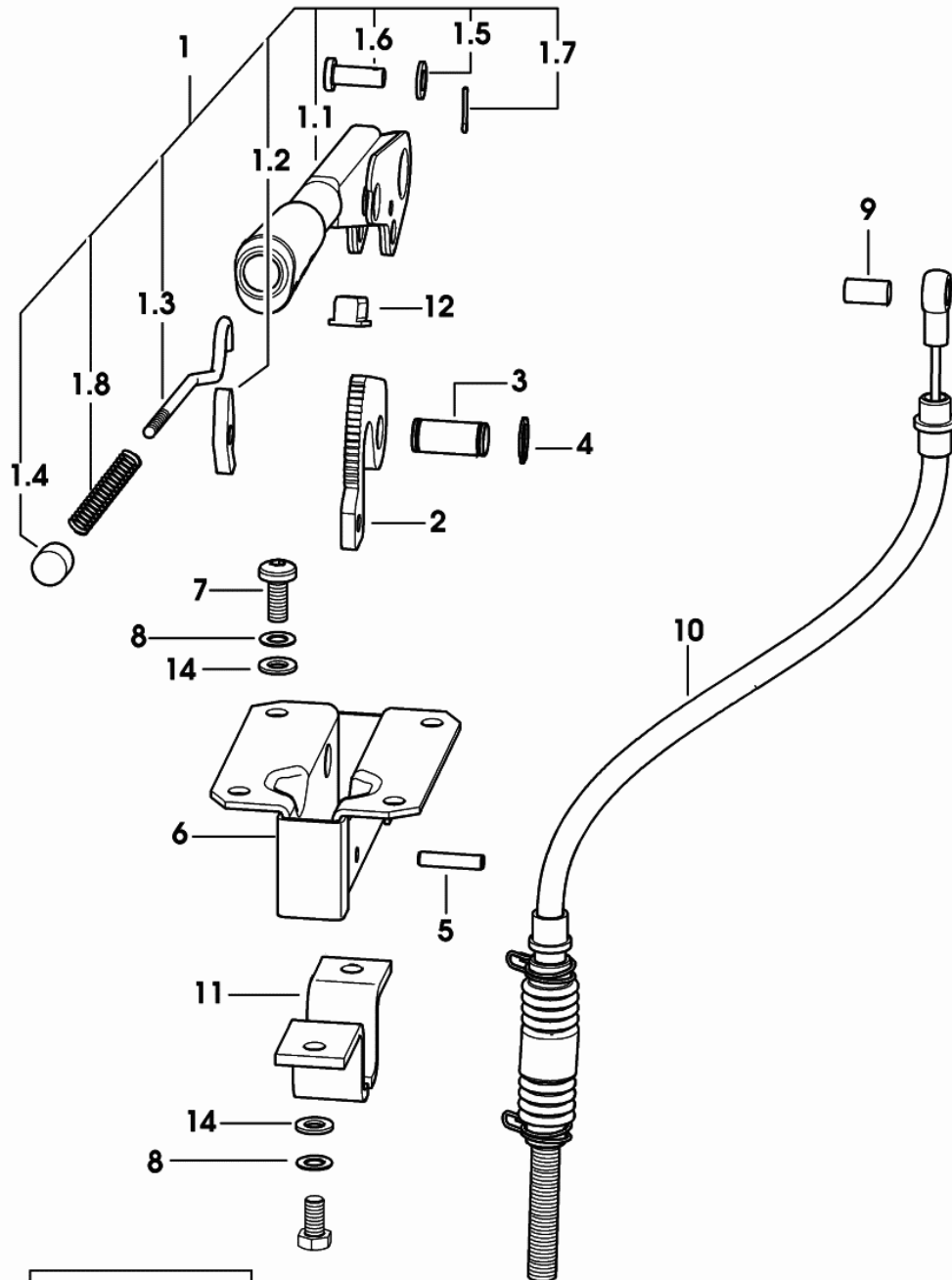


Fig.	Code	QTY	Name
1	0.200.6658.4/30	1	h/brake lever
1.1	0.000.0000.1	0	not serviceable
1.2	0.200.6623.0/20	1	ratchet
1.3	0.171.6621.0/10	1	rod
1.4	0.171.6622.0	1	push-button
1.5	2.1310.004.2	1	flat washer 8.4x16
1.6	2.1671.305.2	1	pin 8x22
1.7	2.1690.206.2	1	split pin 2x16
1.8	2.4019.555.2	1	spring 14x130x1.3
2	0.257.6624.0	1	sector
3	2.1699.182.0/10	1	pin
4	2.1410.003.1	2	circlip 14
5	2.1630.612.0	1	roll pin 6x28
6	0.451.6656.2/10	1	support
7	2.0330.507.2	4	screw m 8x20
8	2.1470.004.2	6	lock washer 8
9	2.1699.183.0	1	pin
10	0.014.2455.4	1	cable
11	0.264.6650.0	1	stop
12	0.264.6655.0/10	1	small block
14	2.1310.004.2	2	flat washer 8.4x16

9_C2366_03_0_0

HAND BRAKE - FOR TRACTORS WITH HYDRAULIK BREAKING FOR TRAILER

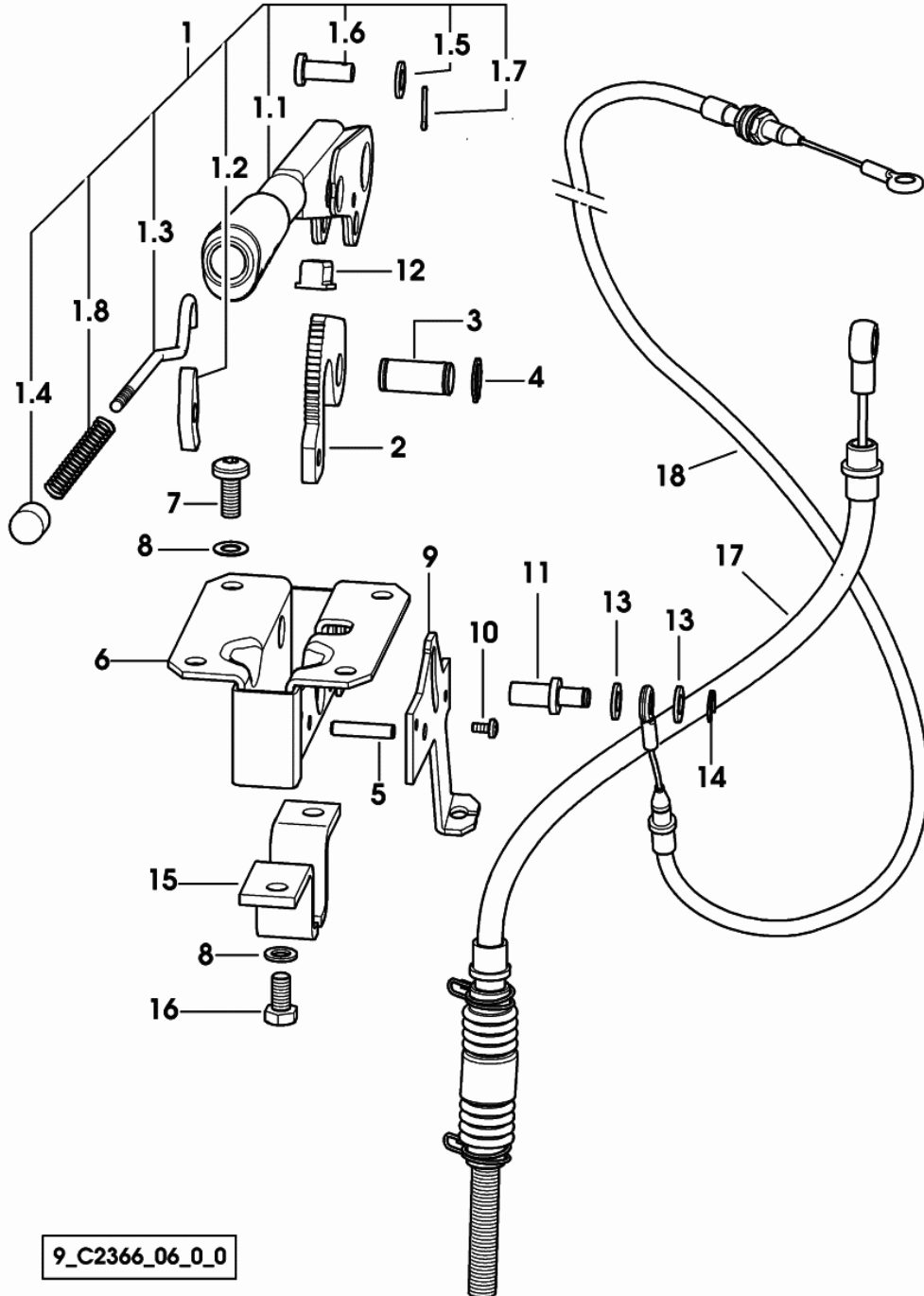
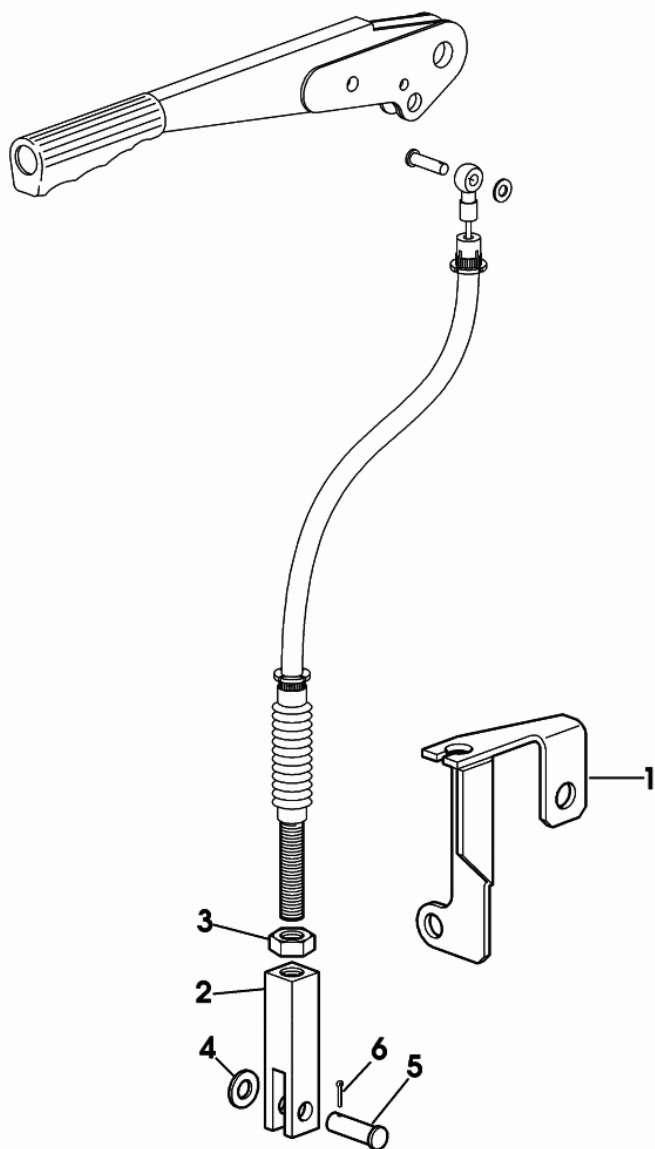


Fig.	Code	QTY	Name
1	0.200.6658.4/30	1	h/brake lever
1.1	0.000.0000.1	0	not serviceable
1.2	0.200.6623.0/20	1	ratchet
1.3	0.171.6621.0/10	1	rod
1.4	0.171.6622.0	1	push-button
1.5	2.1310.004.2	1	flat washer 8.4x16
1.6	2.1671.305.2	1	pin 8x22
1.7	2.1690.206.2	1	split pin 2x16
1.8	2.4019.555.2	1	spring 14x130x1.3
2	0.257.6624.0	1	sector
3	2.1699.182.0/10	1	pin
4	2.1410.003.1	4	circlip 14
5	2.1630.612.0	1	roll pin 6x28
6	0.014.3158.3	1	support
7	2.0330.507.2	4	screw m 8x20
8	2.1470.004.2	6	lock washer 8
9	0.014.3162.0	1	bracket
10	2.0332.202.2	2	screw m 4x8
11	2.1699.580.2	1	pin
12	0.264.6655.0/10	1	small block
13	2.1310.004.2	2	flat washer 8.4x16
14	2.1430.008.7	1	circlip 7
15	0.014.3157.0	1	bracket
16	2.0112.205.2	2	screw m 8 p.1.25x16
17	0.014.2455.4	1	cable
18	0.014.3404.3	1	cable

Section: REAR AXEL

HAND BRAKE

Fig.	Code	QTY	Name
1	0.008.3229.2/10	1	plate
2	2.3519.056.0	1	fork
3	2.1011.207.2	1	nut m 12 p.1.5
4	2.1310.007.2	1	flat washer 13x24
5	2.1671.409.2	1	pin
6	2.1690.307.2	1	split pin 3.2x18



9_40566_00_0_0

EXPLORER 85 T

FRONT AXEL

JUNCTION CASE.....	186
4WD - FRONT SUPPORT.....	188
2WD - COMPLETION.....	189
4WD - FRONT SUPPORT.....	190
2WD - EXTENDIBLE AXLE.....	192
2WD - EXTENDIBLE AXLE.....	193
2WD - FRONT BRAKES.....	194
2WD - POWER STEERING CYLINDER.....	195
4WD - FRONT DRIVE AXLE.....	196
FLANGE.....	198
4WD - FRONT DRIVE AXLE.....	199
4WD - FRONT BRAKES 40 Km/h.....	200
4WD - FRONT BRAKES 30 Km/h.....	201
BRAKE PIPES 2wd.....	203
BRAKE PIPES 4wd.....	204
GUARD PLATE 2wd.....	206
4WD - POWER STEERING CYLINDER.....	207
4WD - BEVEL WHEEL GEAR 30 Km/h.....	210
4WD - BEVEL WHEEL GEAR 40 Km/h.....	212
4WD - DIFFERENTIAL LOCK CONTROL-MECHANICAL.....	213
DIFFERENTIAL.....	214
DIFFERENTIAL WATER PROOF.....	215
4WD - AXLESHAFTS.....	218
4WD - AXLESHAFTS WATER PROOF.....	219
FRONT WHEEL HUB COVER.....	223
4WD - DIFFERENTIAL LOCK CONTROL-MECHANICAL.....	224
DIFFERENTIAL LOCK CONTROL.....	226
4WD - TRANSMISSION SHAFT.....	228
4WD - ENGAGEMENT CONTROL.....	229
4WD - ENGAGEMENT CONTROL.....	231
4WD - TRANSMISSION SHAFT.....	233

Section: FRONT AXEL

JUNCTION CASE

9_C2352_00_0_0

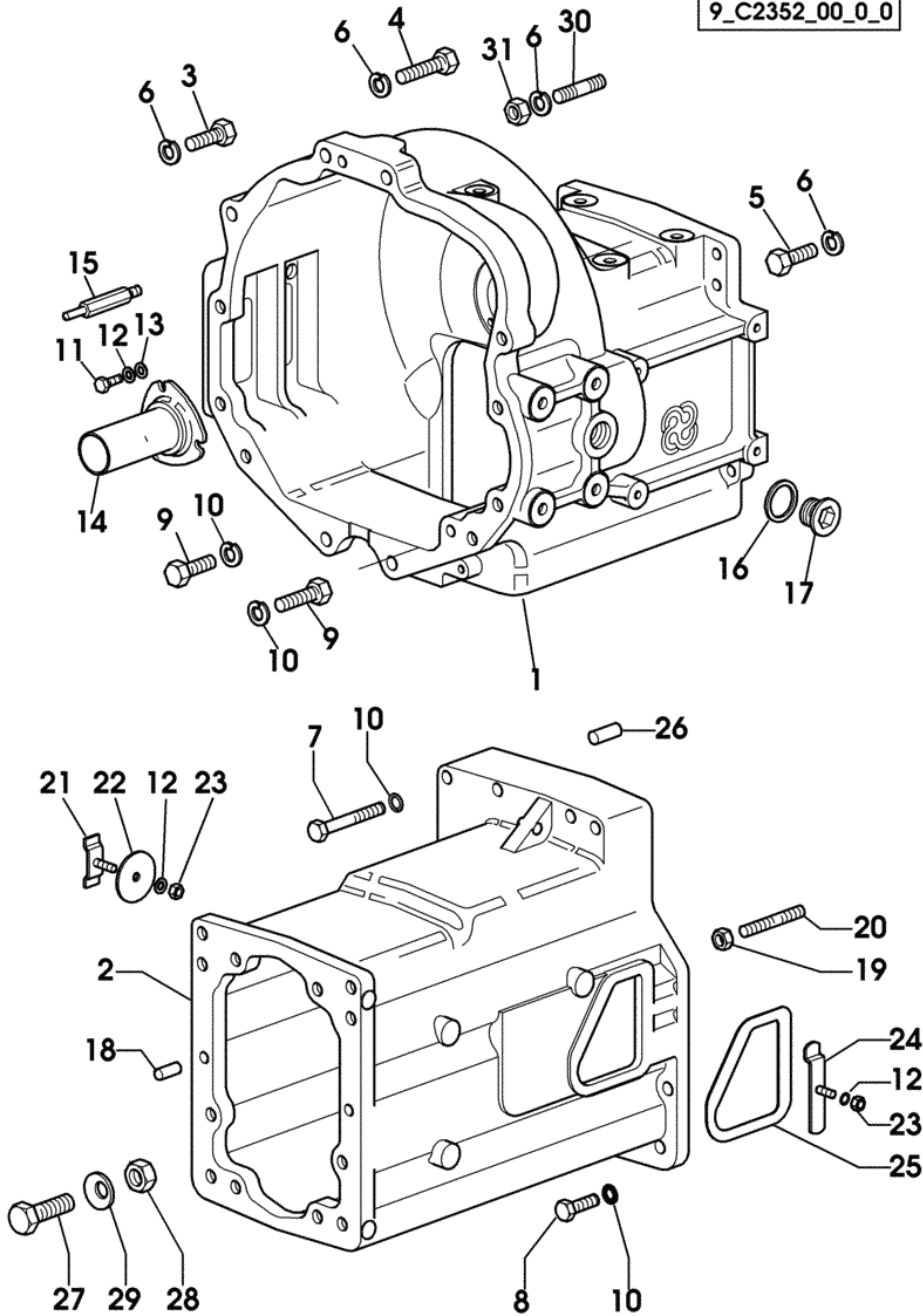
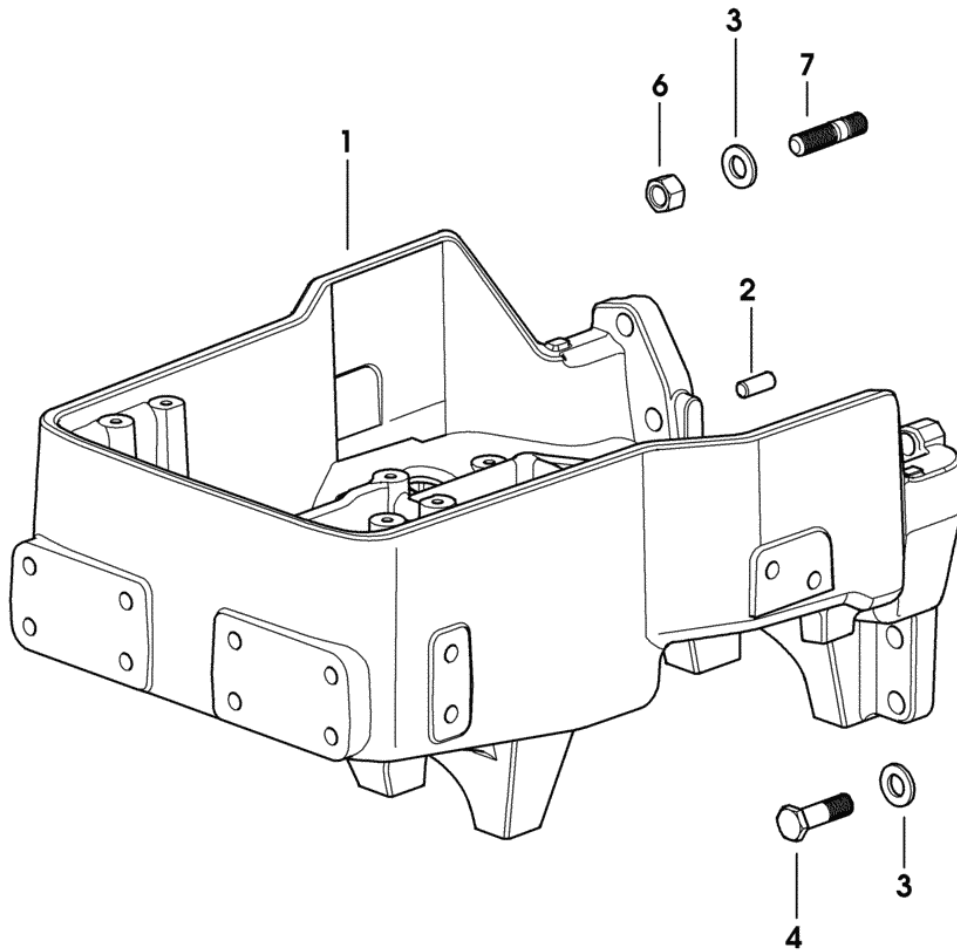


Fig.	Code	QTY	Name
1	0.008.0674.0/30	1	clutch housing
2	0.007.3436.0/30	1	clutch housing
3	2.0112.513.2	6	screw m 14 p.2x35
4	2.0112.519.2	2	screw m 14 p.2x50
5	2.0112.517.2	10	screw m 14 p.2x45
6	2.1475.005.7	20	spring washer 15x27
7	2.0112.427.2	8	screw m 12 p.1.75x90
8	2.0112.415.2	4	screw m 12 p.1.75x40
9	2.0112.419.2	4	screw m 12 p.1.75x50
10	2.1470.007.2	10	lock washer 12
11	2.0112.207.2	3	screw m 8 p 1.25x20
12	2.1470.004.2	3	lock washer 8
13	2.1310.004.2	6	flat washer 8.4x16
14	0.255.5220.2/20	1	flange
15	0.445.5250.0/70	1	pin
16	2.1560.026.0	1	gasket 35.3x41
17	2.3199.002.2	1	plug 1 gas
18	2.1651.912.0	2	cylindrical plug 12x28
19	2.1011.107.2	1	nut m 12 p.1.75
20	2.0422.422.7	1	stud bolt m 12x85
21	0.007.3545.2	1	bracket
22	0.007.3546.0	1	plug
23	2.1011.105.2	2	nut m 8 p.1.25
24	0.007.3565.2	1	bracket
25	0.007.3564.0	1	gasket
26	2.1699.035.0	2	pin 14x35
27	2.0112.720.2	2	screw m 18 p.2.5x55
28	2.1011.410.2	6	nut m 18 p.1.5
29	2.1474.014.2	8	spring washer 18
30	2.0433.317.7	2	stud bolt m 14 p.1.5x60
31	2.1011.408.2	2	nut m 14 p.1.5

Section: FRONT AXEL
4WD - FRONT SUPPORT

Fig.	Code	QTY	Name
1	0.013.4869.0/20	1	support
2	2.1699.035.0	2	pin 14x35
3	2.1475.007.7	8	washer 19.4x36
4	2.0112.721.2	4	screw m 18 p.2.5x60
6	2.1019.060.2	4	special nut m 18 p.1.5
7	2.0432.516.7	4	stud bolt m 18 p.2.5-1.5x55

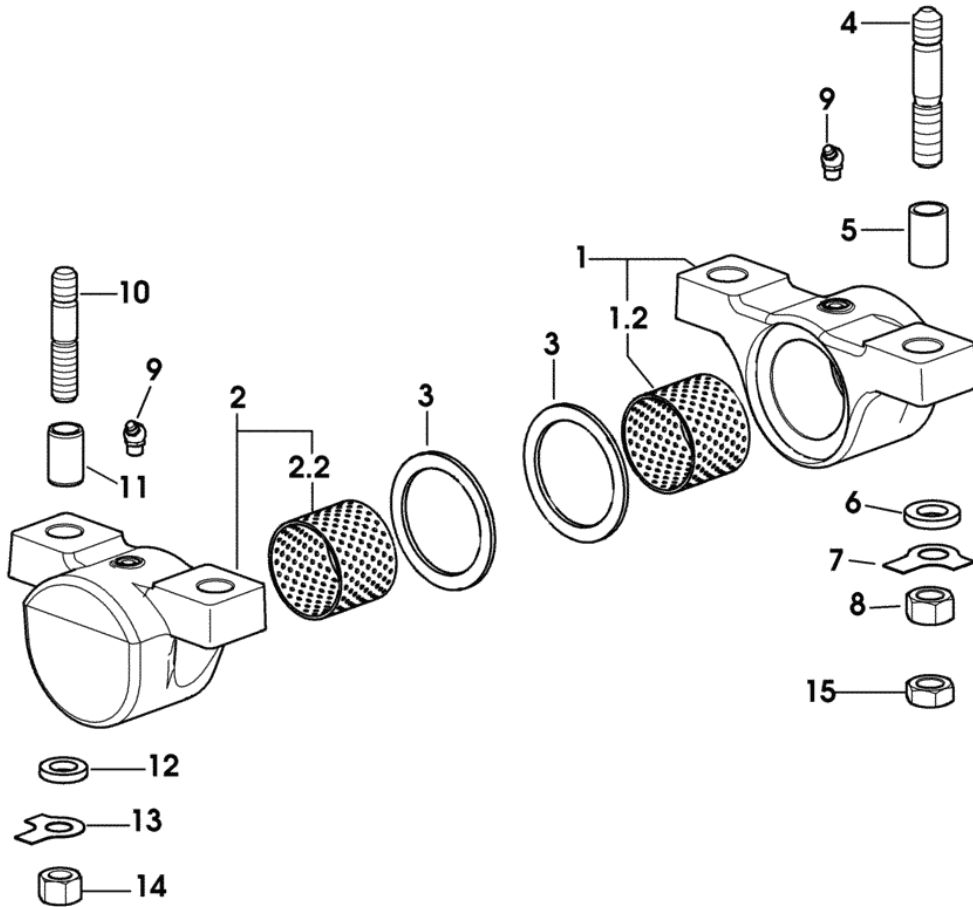


Section: FRONT AXEL
2WD - COMPLETION

Fig.	Code	QTY	Name
------	------	-----	------

Notes:

-> 1142 X EXPLORER 75T -> 1131 X EXPLORER 85T -> 1160 X EXPLORER 95T



1	0.013.6877.3/10	1	support
1.2	0.013.6872.0	1	bushing 60x65x50
2	0.013.6876.3/10	1	support
2.2	0.013.6872.0	1	bushing 60x65x50
3	0.013.6875.0	2	shoulder
4	2.0432.521.7	2	stud bolt m 18 p.1.5x80
5	2.1559.010.0	2	bushing 18.5x24x35
6	2.1599.030.0	2	snoulder 19x35x6
7	2.1340.011.0	2	lock-tab 19
8	2.1011.410.2	2	nut m 18 p.1.5
9	2.3821.103.2	2	lubricator m 10 p.1
10	2.0432.418.7	2	stud bolt m 16 p.2-1.5x65
11	2.1559.030.0	2	bushing 16.5x22x35
12	2.1599.029.0	2	snoulder 17x30x6
13	2.1340.010.0	2	lock-tab 17
14	2.1011.309.2	2	nut m 16 p.1.5
15	2.1011.510.2	2	nut m 18 p.1.5

9_C2352_04_0_0

Section: FRONT AXEL
4WD - FRONT SUPPORT

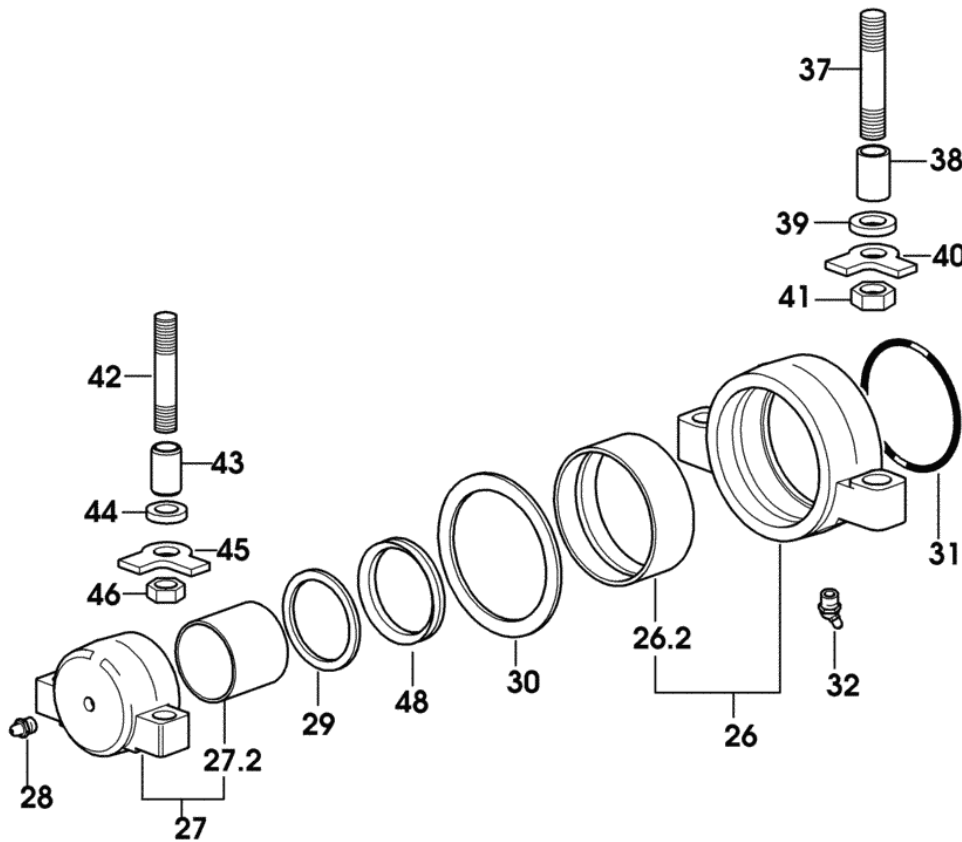


Fig.	Code	QTY	Name
26	0.146.5233.3/30	1	support
26.2	2.1559.455.0	1	bushing 100x106x40
27	0.146.5232.3/20	1	support
27.2	2.1559.458.0	1	bushing 50x55x40
28	2.3820.105.2	1	lubricator m 10 p.1x7
29	2.1599.870.0	1	snoulder 69x55x4
30	2.1599.004.0	1	snoulder 101x125x4
31	2.1530.205.0	1	'o' ring 101.2x5.34
32	2.3821.103.2	1	lubricator m 10 p.1
37	2.0432.518.7	2	stud bolt m 18 p.2.5-1.5x65
38	2.1559.010.0	2	bushing 18.5x24x35
39	2.1599.030.0	2	snoulder 19x35x6
40	2.1340.011.0	2	lock-tab 19
41	2.1011.310.2	2	nut m 18 p.1.5
42	2.0432.418.7	2	stud bolt m 16 p.2-1.5x65
43	2.1559.030.0	2	bushing 16.5x22x35
44	2.1599.029.0	2	snoulder 17x30x6
45	2.1340.010.0	2	lock-tab 17
46	2.1011.309.2	2	nut m 16 p.1.5
48	2.1535.026.0	1	'o' ring 58x68x9

Section: FRONT AXEL
2WD - EXTENDIBLE AXLE

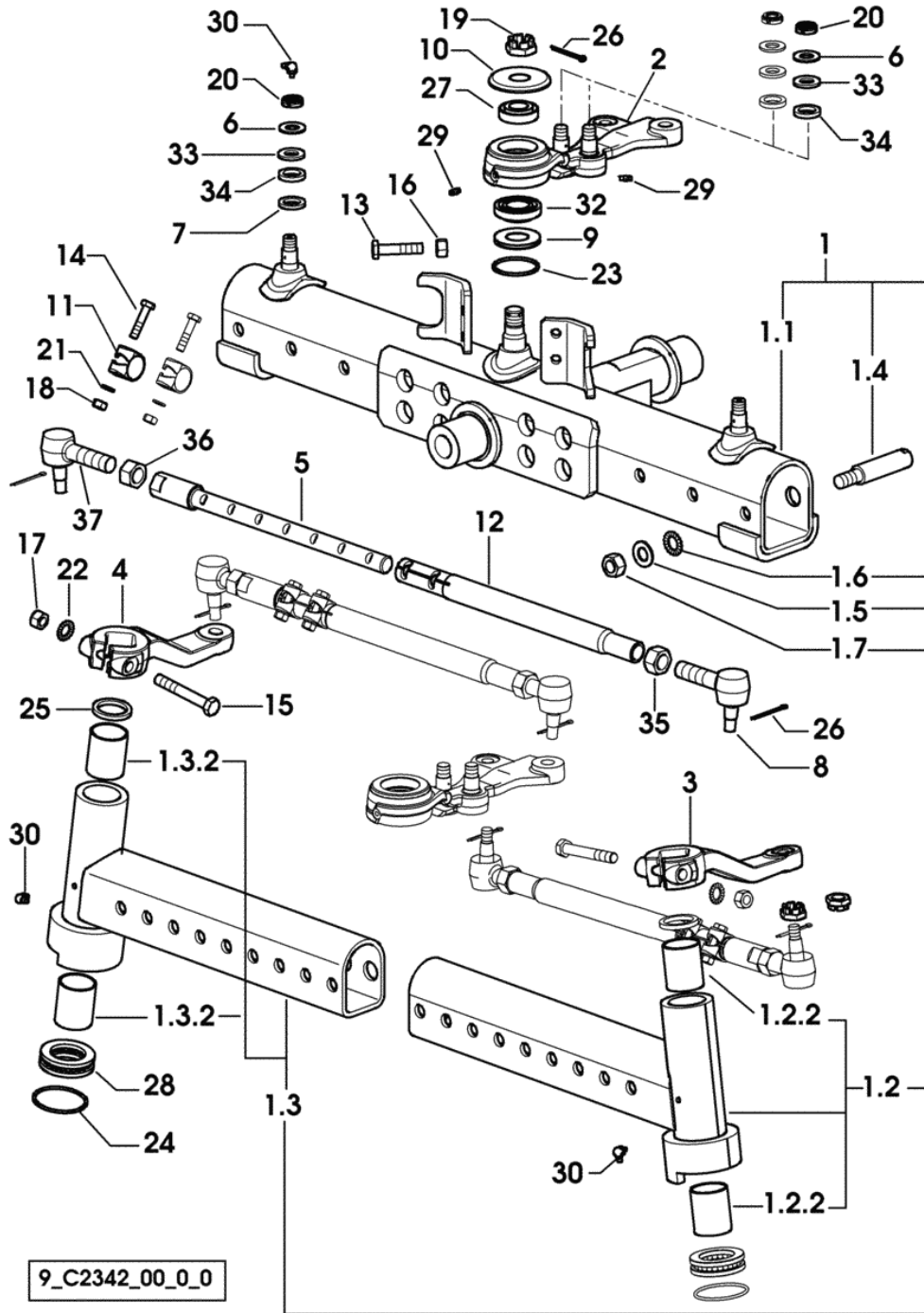


Fig.	Code	QTY	Name
------	------	-----	------

Notes:

-> 1142 X EXPLORER 75T -> 1131 X EXPLORER 85T -> 1160 X EXPLORER 95T

1	0.000.0000.1	0	not serviceable
1.1	0.013.6230.3/20	1	central axle
1.2	0.013.6232.3/20	1	counter shaft dx
1.2.2	2.1559.134.0	2	bushing 50x45x60
1.3	0.013.6234.3/20	1	counter shaft sx
1.3.2	2.1559.134.0	2	bushing 50x45x60
1.4	0.146.4282.0/10	6	pin
1.5	2.1310.011.2	6	flat washer 19x34
1.6	2.1470.010.2	6	lock washer 18
1.7	2.1011.410.2	6	nut m 18 p.1.5
2	0.013.6358.3/50	1	lever
3	0.013.6236.0/10	1	lever
4	0.013.6246.0/10	1	lever
5	0.013.6284.0/10	2	rod
6	0.013.7820.0/20	4	spacer
7	0.013.7823.0/10	4	spacer
8	0.010.0487.4	2	ball joint ↳ 591 => 591
9	0.135.4264.2	1	disc
10	0.135.4266.0	1	small cover
11	0.137.4238.0	4	terminal
12	0.261.4235.0	2	tube
13	2.0112.521.2	2	screw m 14 p.2x60
14	2.0122.367.2	4	screw m 10 p.1.25x45
15	2.0122.528.2	2	screw m 14 p.1.5x95
16	2.1011.108.2	2	nut m 14 p.2
17	2.1011.408.2	2	nut m 14 p.1.5
18	2.1011.421.2	4	nut M10x1.25
19	2.1021.510.2	1	castellated nut m 24 p.1.5
20	2.1220.004.2	4	ring nut
21	2.1470.006.2	4	lock washer 10
22	2.1470.008.2	2	lock washer 14
23	2.1530.138.0	1	'o' ring 55.56x3.53
24	2.1530.161.0	2	'o' ring 53.98x3.53
25	2.1569.001.0	2	gasket 40x52x6
26	2.1690.516.2	5	split pin 5x50
27	2.2520.004.0	1	roller bearing 25x52x16.25
28	2.2620.010.0	2	thrust bearing 45x65x14
29	2.3820.101.2	2	lubricator m 6 p.1x5
30	2.3821.301.2	4	lubricator m 6 p.1

Section: FRONT AXEL
2WD - EXTENDIBLE AXLE

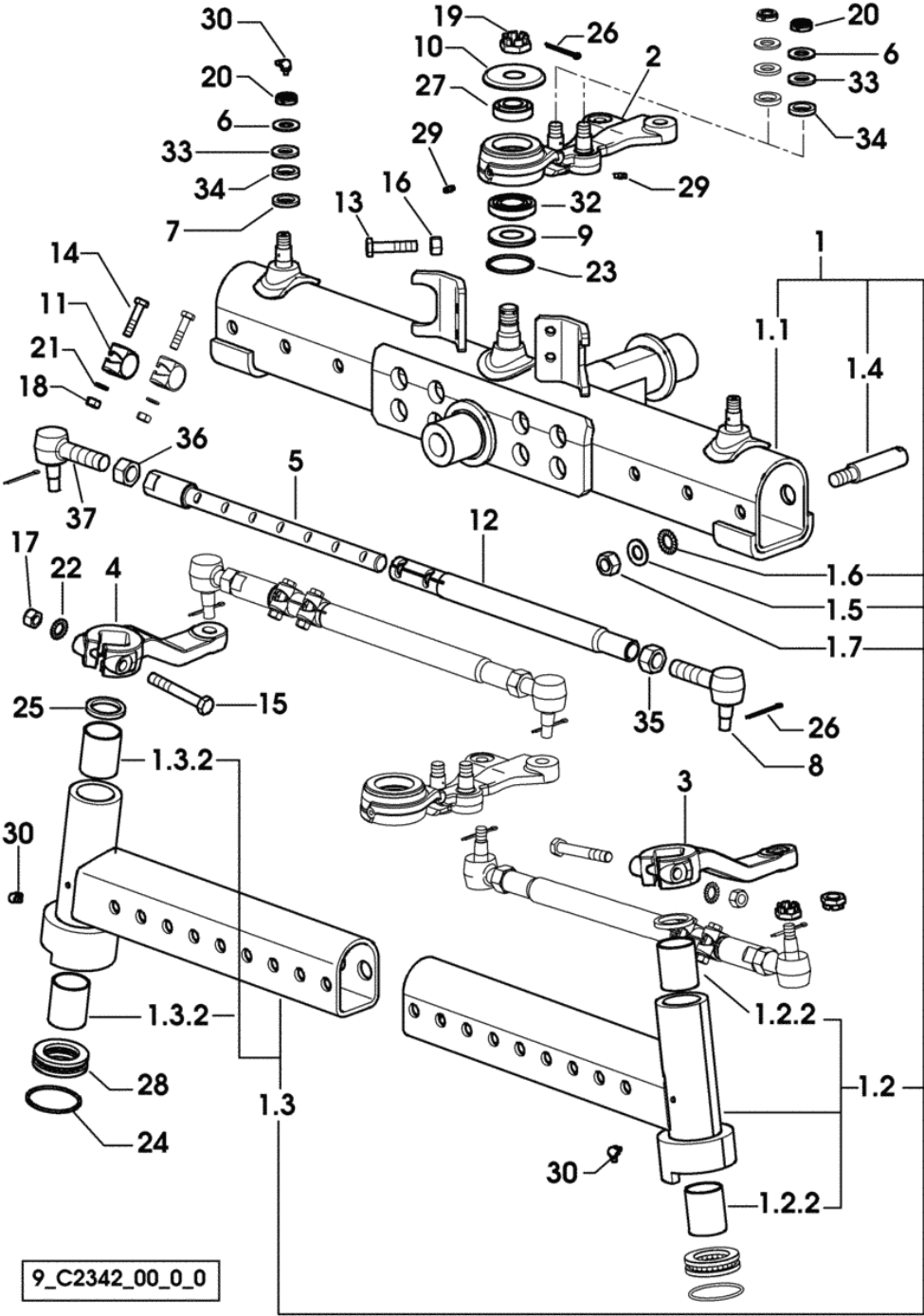


Fig.	Code	QTY	Name
32	2.2520.006.0	1	roller bearing 30x62x17.25
33	2.1569.214.0	4	spacer
34	2.1569.125.0	4	gasket 23x35x6
35	2.1019.003.2	2	nut m 22 p.1.5
36	2.1019.162.2	2	nut m 22 p.1.5 sx
37	0.014.2792.4	2	joint

9_C2342_00_0_0

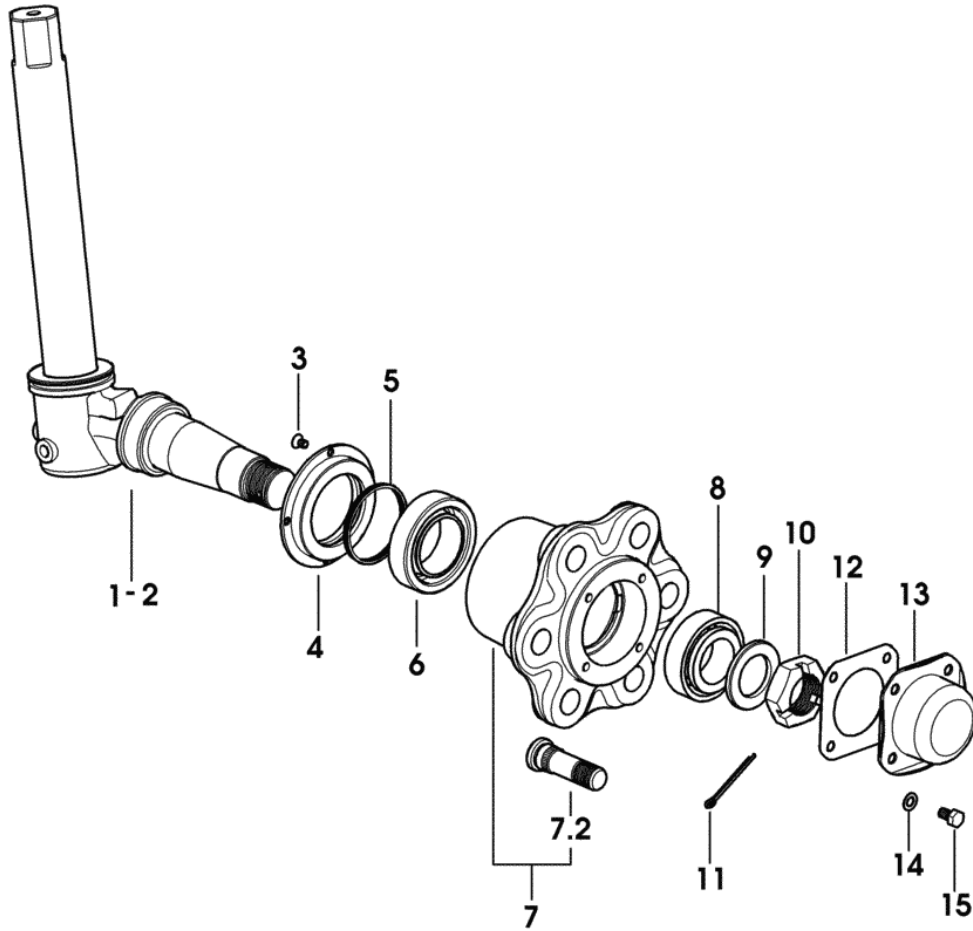
Section: FRONT AXEL
 2WD - EXTENDIBLE AXLE


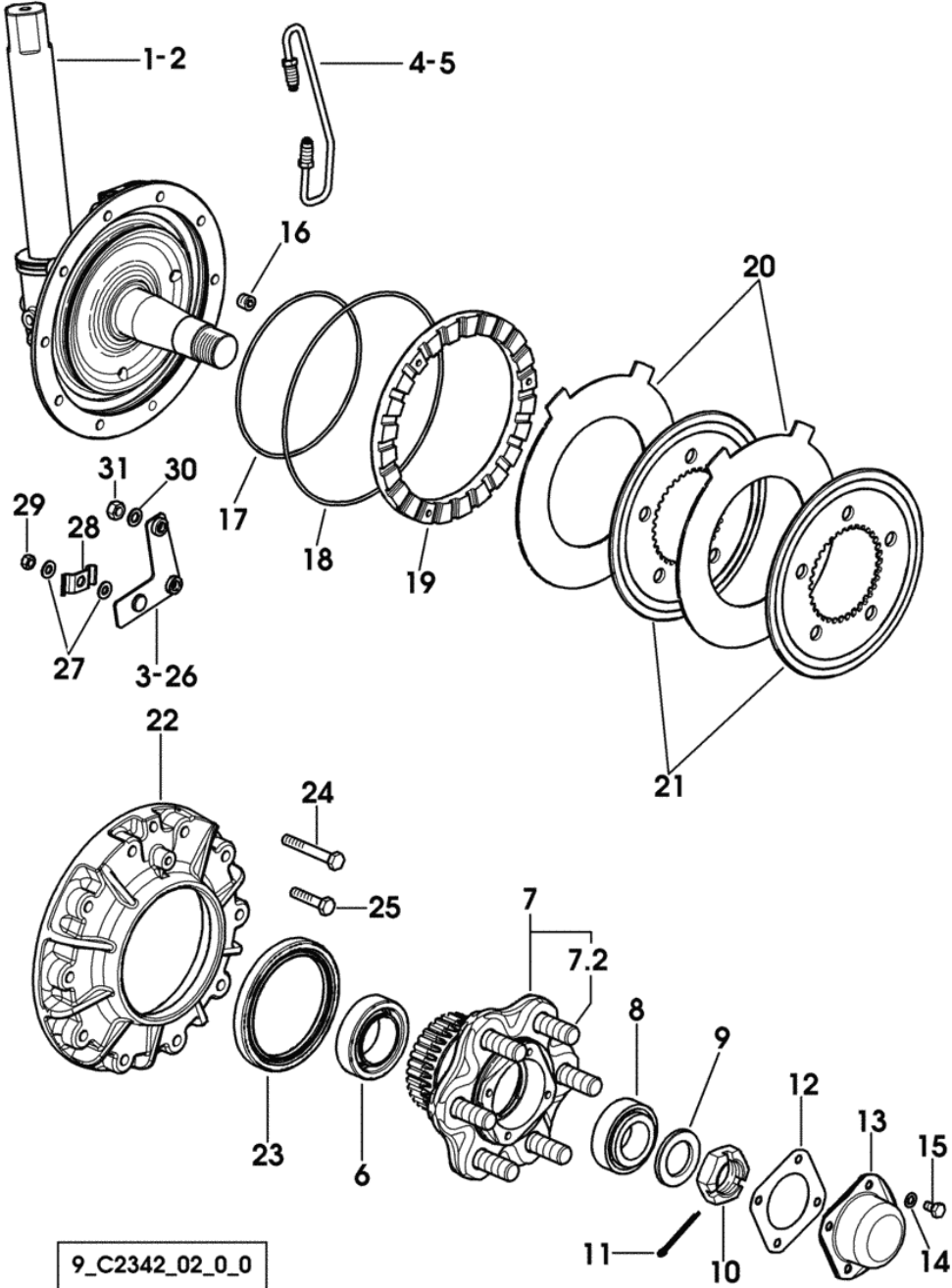
Fig.	Code	QTY	Name
1	0.013.6241.3/10	1	axle shaft
2	0.013.6242.3/10	1	axle shaft
3	2.0342.201.6	8	screw m 6 p.1x10
4	0.013.7774.0/10	2	cover
5	0.013.7811.0/10	2	'o' ring
6	2.2999.488.0	2	bearing
7	0.013.8175.3/20	2	wheel hub
7.2	0.148.4737.0/20	6	small column m 20x68
8	2.2999.489.0	2	bearing
9	2.1599.228.0	2	snoulder 38x60x5
10	2.1029.008.2	2	special nut m 36 p.2
11	2.1690.516.2	2	split pin 5x50
12	0.001.2921.0	2	gasket
13	0.014.1169.0	2	small cover
14	2.1470.004.2	8	lock washer 8
15	2.0112.204.2	8	screw m 8 p.1.25x14

Section: FRONT AXEL
2WD - FRONT BRAKES

Fig.	Code	QTY	Name
------	------	-----	------

Notes:
 -> 1142 X EXPLORER 75T -> 1131 X EXPLORER 85T -> 1160 X EXPLORER 95T

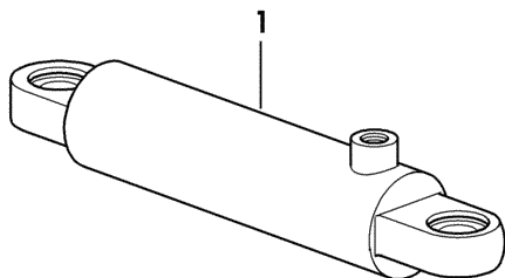
1	0.013.6956.3/10	1	axle shaft dx
2	0.013.6957.3/10	1	axle shaft sx
3	0.013.7896.3	1	plate sx
4	0.013.7916.3/10	1	tube
5	0.013.7914.3/10	1	tube
6	2.2999.488.0	2	bearing
7	0.013.8184.3/20	2	wheel hub
7.2	0.148.4737.0/20	6	small column m 20x68
8	2.2999.489.0	2	bearing
9	2.1599.228.0	2	snoulder 38x60x5
10	2.1029.008.2	2	special nut m 36 p.2
11	2.1690.516.2	2	split pin 5x50
12	0.001.2921.0	2	gasket
13	0.014.1169.0	2	small cover
14	2.1470.004.2	8	lock washer 8
15	2.0112.204.2	8	screw m 8 p.1.25x14
16	2.3130.002.1	4	plug 1/4 gas
17	2.1539.177.0	2	'o' ring 171.04x3.53
18	2.1539.118.0	2	ring 221.84x3.53
19	0.009.8420.0/10	2	piston
20	0.275.4351.0	4	disc
21	0.007.3191.0/10	4	brake disc
22	0.007.7754.0/20	2	cover
23	2.1529.056.0/10	2	'o' ring 110x140x13
24	2.0139.030.2	4	screw m 10 p.1.25x65
25	2.0132.211.7	16	screw m 10 p.1.25x45
26	0.013.7895.3	1	plate dx
27	2.1310.004.3	4	washer 8.4x17
28	0.008.9082.0	2	small plate
29	2.1011.105.2	2	nut m 8 p.1.25
30	2.1470.006.2	4	lock washer 10
31	2.1011.421.2	4	nut M10x1.25



9_C2342_02_0_0

2WD - POWER STEERING CYLINDER

Fig.	Code	QTY	Name
1	0.255.6342.4/10	2	jack ☞ 592 => 592



Section: FRONT AXEL
4WD - FRONT DRIVE AXLE

9_40543_00_0_0

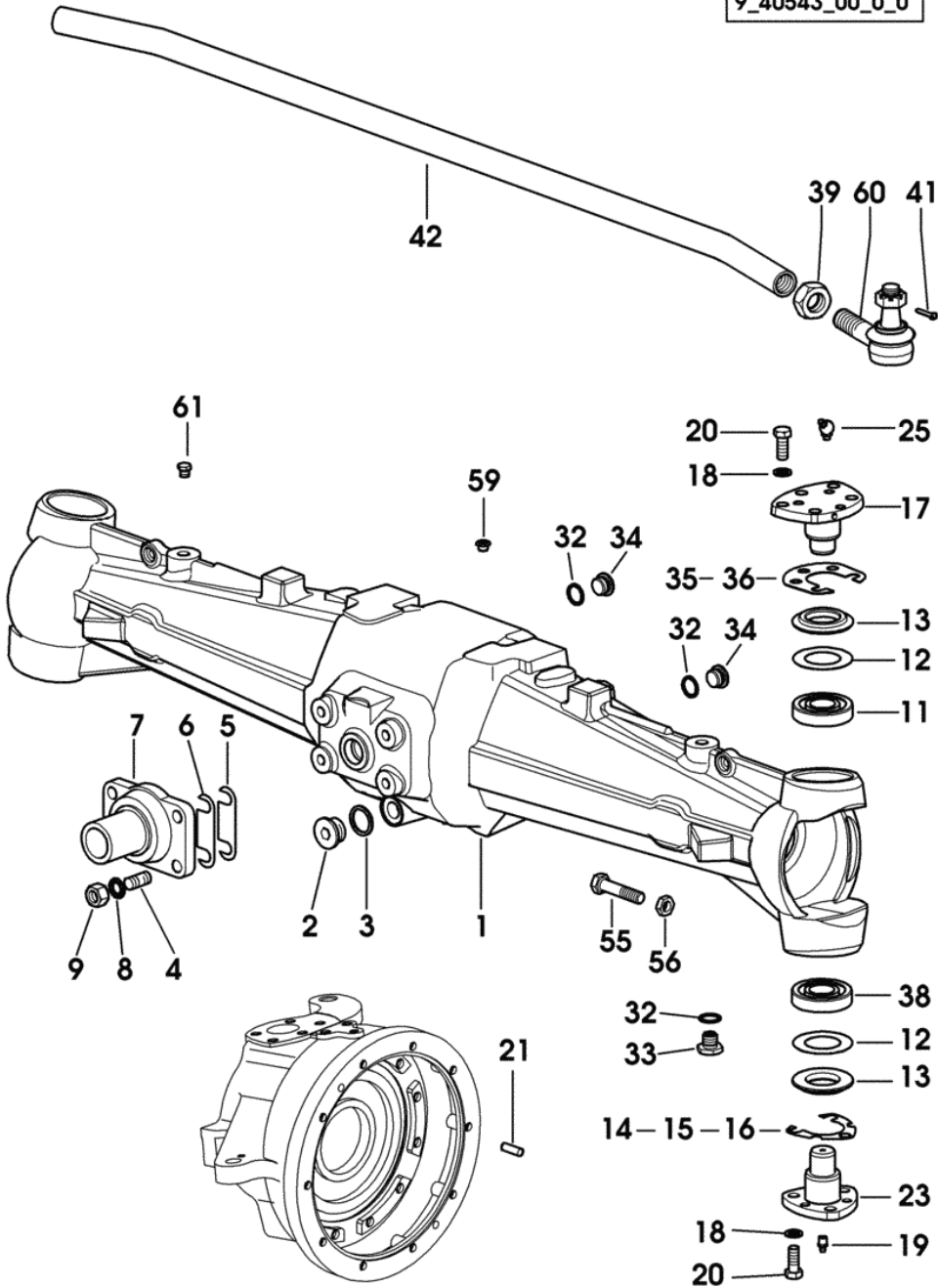
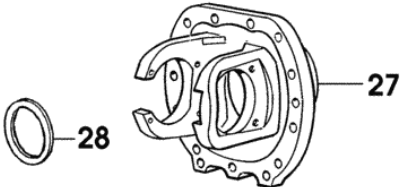


Fig.	Code	QTY	Name
1	0.275.4356.0/80	1	front axle
2	2.3199.021.2	1	plug 1/2 gas
3	2.1560.054.0	1	gasket 21x26
4	2.0433.309.7	4	stud bolt m 14 p.1.5x35
5	2.1379.004.0/10	4	shim 15x15x62x1.5
6	2.1379.003.0/10	4	shim 15x15x62x0.12
7	0.146.4320.0/20	1	pin
8	2.1475.005.2	4	washer 15x27
9	2.1011.308.2	4	nut m 14 p.1.5
11	2.2530.007.0	1	roller bearing 30x72x20.75
12	2.1599.260.0	4	snoulder 43x71x1
13	2.1519.045.0	4	'o' ring 41x73x9
14	0.463.4351.0	8	shim mm 0.5
15	0.463.4350.0	8	shim mm 0.2
16	0.463.4352.0	8	shim mm 0.15
17	0.255.4335.0/10	1	pin
18	2.1470.007.2	9	lock washer 12
19	2.3820.105.2	2	lubricator m 10 p.1x7
20	2.0112.411.2	9	screw m 12 p.1.75x30
21	2.1651.811.0	4	cylindrical plug 10x25
23	0.169.4337.0/10	2	pin
25	2.3821.102.2	1	lubricator m 8 p.1
32	2.1560.054.0	5	gasket 21x26
33	2.3199.021.2	2	plug 1/2 gas
34	2.3199.001.2	3	plug 1/2 gas
35	2.1589.124.0	8	shim mm 0.2
36	2.1589.126.0	8	shim mm 0.15
38	2.2550.007.0	2	roller bearing 30x72x28.75
39	2.1099.020.1	2	special nut m 24 p.1.5
41	2.1690.412.2	2	split pin 4x30
42	0.275.4344.0/20	1	rod
55	2.0119.213.2	4	screw m 14 p.2x60
56	2.1011.208.2	4	nut m 14
59	2.3199.537.0	5	plug mm 11
60	0.010.0488.4/10	2	joint
			☞ 593 => 593
61	2.3199.125.0	3	plug 1/8 gas

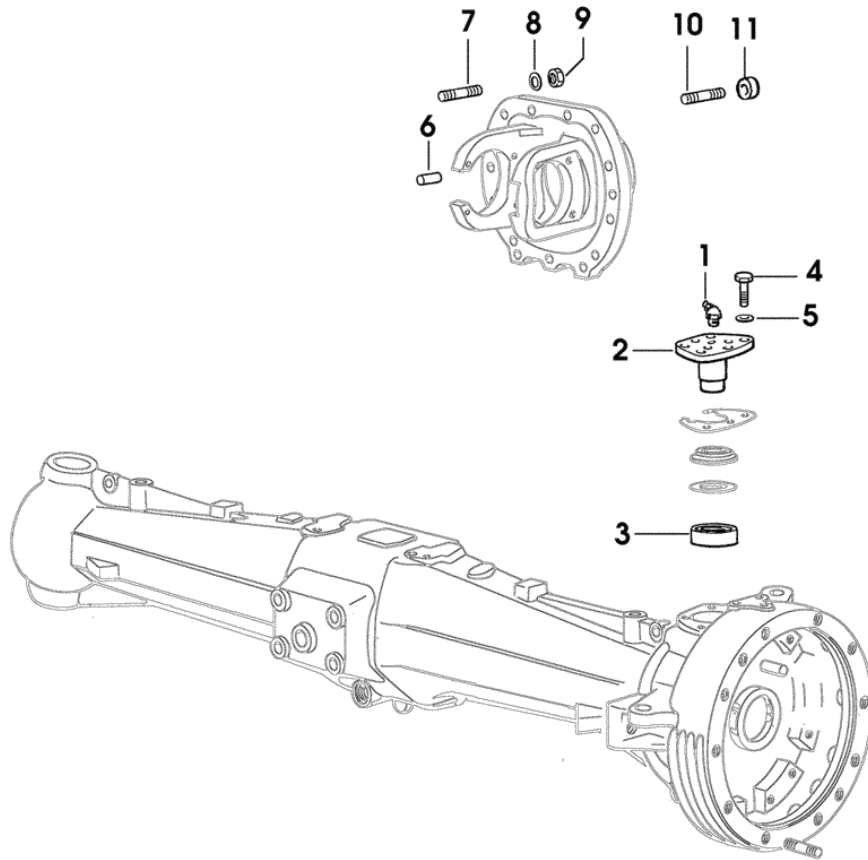
FLANGE

Fig.	Code	QTY	Name
27	0.007.3499.0/80	1	flange
28	2.1549.318.0	1	spacer



Section: FRONT AXEL
4WD - FRONT DRIVE AXLE

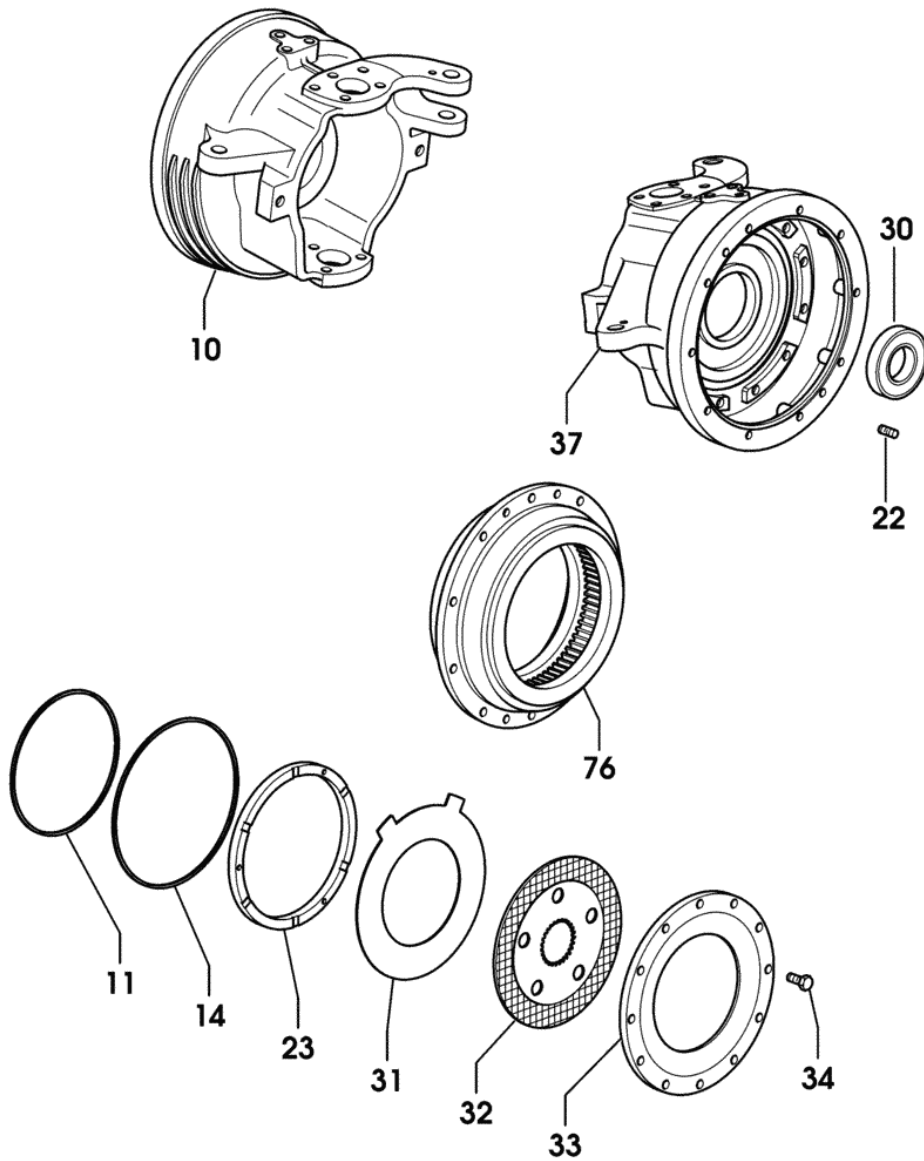
Fig.	Code	QTY	Name
1	2.3821.102.2	1	lubricator m 8 p.1
2	0.255.4335.0/10	1	pin
3	2.2530.007.0	1	roller bearing 30x72x20.75
4	2.0112.411.2	3	screw m 12 p.1.75x30
5	2.1470.007.2	3	lock washer 12
6	2.1651.915.0	2	pin 12x35
7	2.0432.257.7	11	stud bolt m 12 p.1.75-1.25x30
8	2.1475.004.2	13	washer 13x24
9	2.1011.322.2	13	nut m 12 p.1.25
10	2.0432.259.7	2	stud bolt m 12 p.1.75-1.25x35
11	2.1579.147.2	2	spacer 12.5x22x3



9_40543_02_0_0

Section: FRONT AXEL
4WD - FRONT BRAKES 40 Km/h

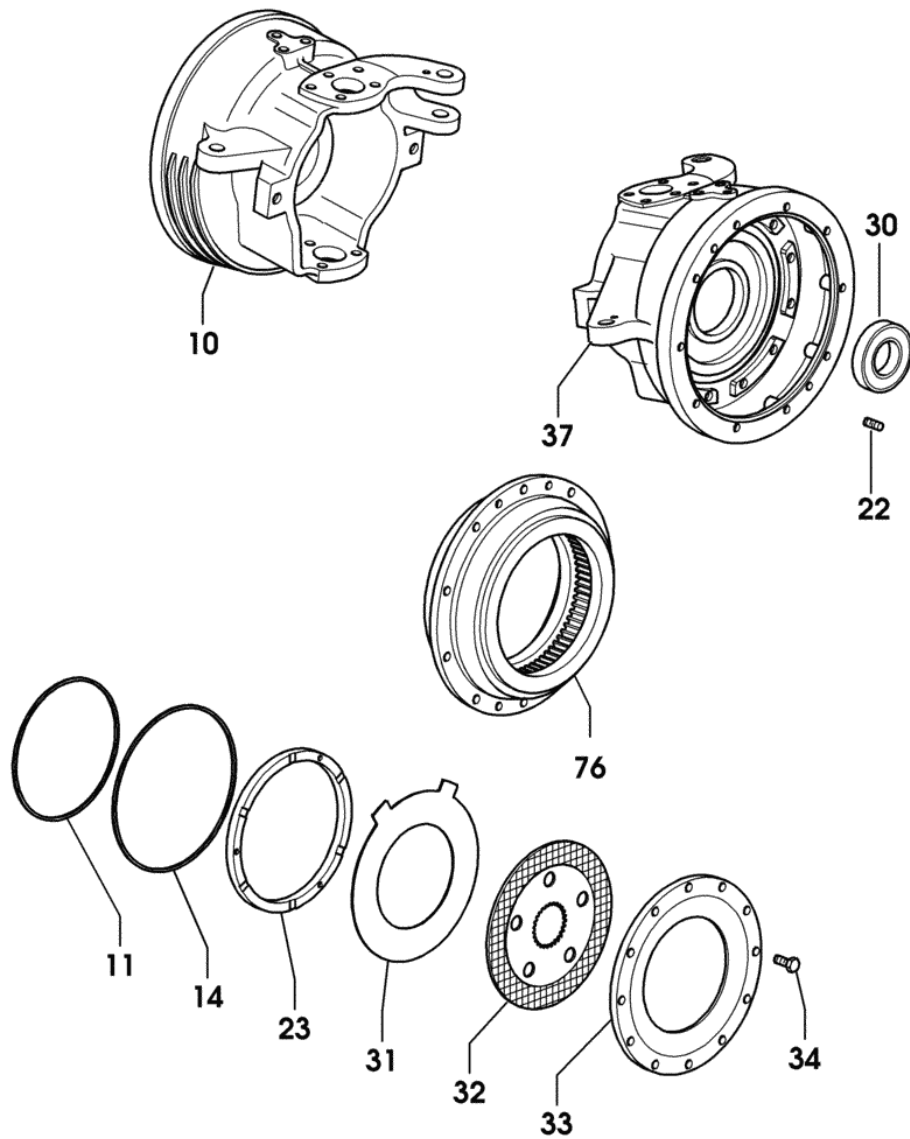
Fig.	Code	QTY	Name
10	0.007.6382.0/50	1	fork dx
11	0.275.4354.0/20	2	gasket 183.6x190.4x3.4
14	0.275.4353.0/20	2	gasket 215.6x222.4x3.4
22	2.0433.155.7	20	stud bolt m 10 p.1.25x25
23	0.275.4350.0	2	piston
30	2.1529.134.0	2	'o' ring 65x90x17.5
31	0.275.4351.0	2	disc
32	0.154.5459.0/10	2	brake disc
33	0.275.4352.0/10	2	flange
34	2.0139.025.1	24	screw m 10 p.1.25x25
37	0.007.6383.0/50	1	fork
76	0.011.0665.3	2	crown wheel



Section: FRONT AXEL
4WD - FRONT BRAKES 30 Km/h

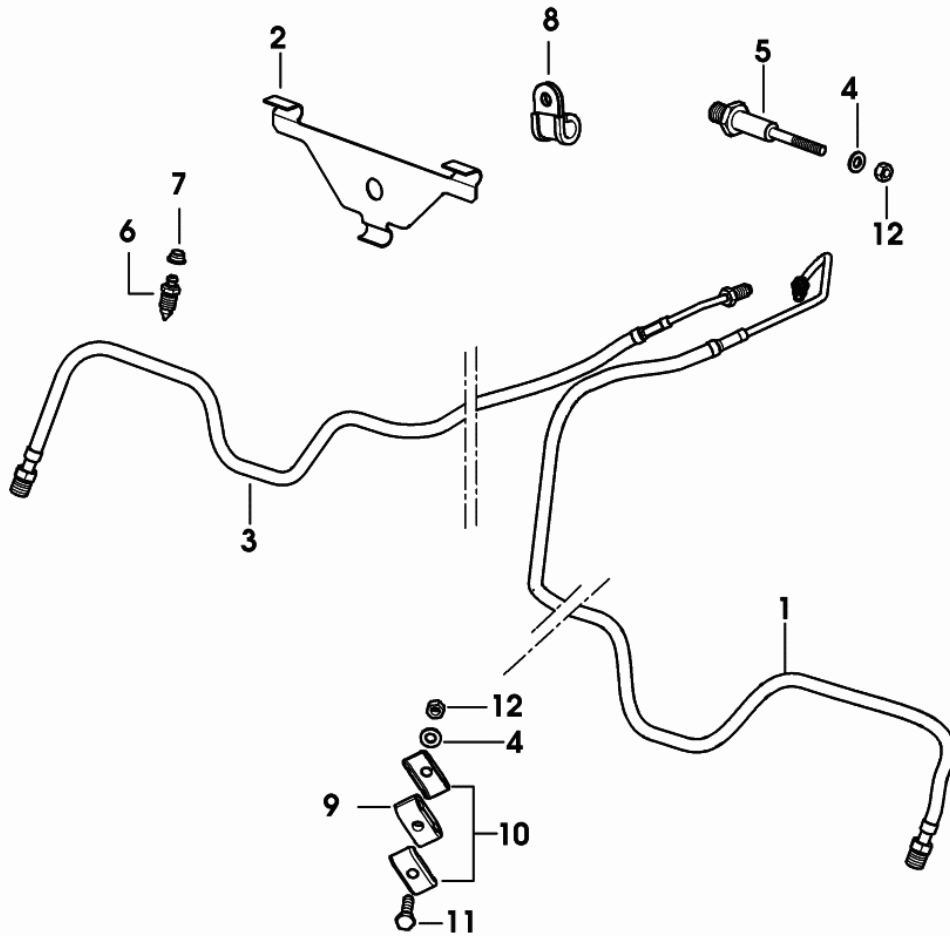
9_55243_02_0_0

Fig.	Code	QTY	Name
10	0.007.6382.0/50	1	fork dx
11	0.275.4354.0/20	2	gasket 183.6x190.4x3.4
14	0.275.4353.0/20	2	gasket 215.6x222.4x3.4
22	2.0433.155.7	20	stud bolt m 10 p.1.25x25
23	0.275.4350.0	2	piston
30	2.1529.161.0/10	2	'o' ring 65x90x13/14.5
31	0.275.4351.0	2	disc
32	0.154.5459.0/10	2	brake disc
33	0.275.4352.0/10	2	flange
34	2.0139.025.1	24	screw m 10 p.1.25x25
37	0.007.6383.0/50	1	fork
76	0.011.0665.3	2	crown wheel



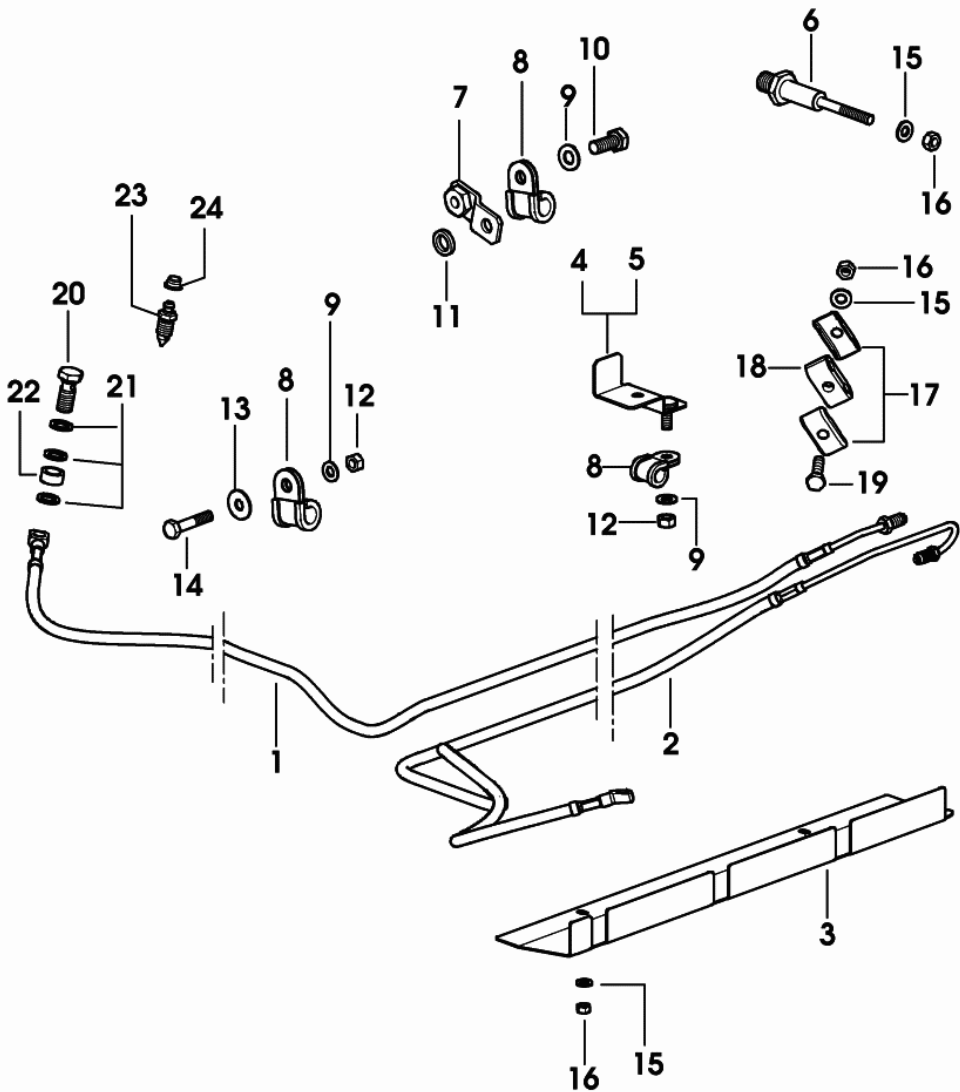
Section: FRONT AXEL
BRAKE PIPES 2wd

Fig.	Code	QTY	Name
1	0.014.3021.3	1	tube
2	0.014.3018.0	2	bracket
3	0.014.3020.3	1	tube dx
4	2.1310.002.2	2	flat washer 6.4x12.5
5	0.014.2489.0	1	pin
6	0.170.5455.0	1	fuse
7	2.3199.039.0	2	plug 6.5x7.25
8	2.6839.052.0	1	clamp 30/20
9	0.013.1564.0	1	terminal
10	0.013.1566.0	2	small plate
11	2.0112.009.2	1	screw m 6 p.1x25
12	2.1011.103.2	2	nut m 6 p.1



Section: FRONT AXEL
BRAKE PIPES 4wd

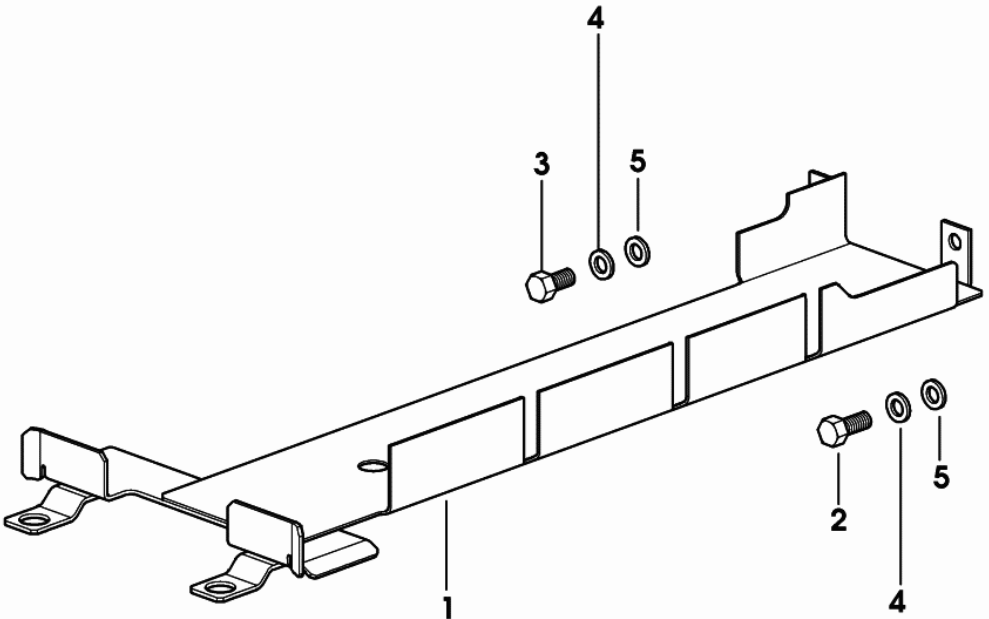
Fig.	Code	QTY	Name
1	0.014.2540.3	1	tube
2	0.014.2541.3	1	tube
3	0.014.2568.0	1	channel
4	0.014.2514.3	1	bracket dx
5	0.014.2509.3	1	bracket sx
6	0.014.2489.0	1	pin
7	0.010.8324.3	2	square
8	2.6839.055.0	6	clamp 11-20
9	2.1310.004.2	8	flat washer 8.4x16
10	2.0112.207.2	4	screw m 8 p 1.25x20
11	2.1579.154.2	2	spacer 10.5x16x3
12	2.1011.105.2	4	nut m 8 p.1.25
13	2.1312.004.2	2	washer 9x24
14	2.0112.215.2	2	screw m 8 p.1.25x40
15	2.1310.002.2	4	flat washer 6.4x12.5
16	2.1011.103.2	4	nut m 6 p.1
17	0.013.1566.0	2	small plate
18	0.013.1564.0	1	terminal
19	2.0112.009.2	1	screw m 6 p.1x25
20	2.3339.361.2/10	2	pipe union m 12 p.1,25x28
21	2.1560.008.0	6	gasket 12.2x18
22	2.1579.765.2/10	2	spacer 12.5x18x8
23	0.170.5455.0	2	fuse
24	2.3199.039.0	2	plug 6.5x7.25



9_C2366_01_0_0

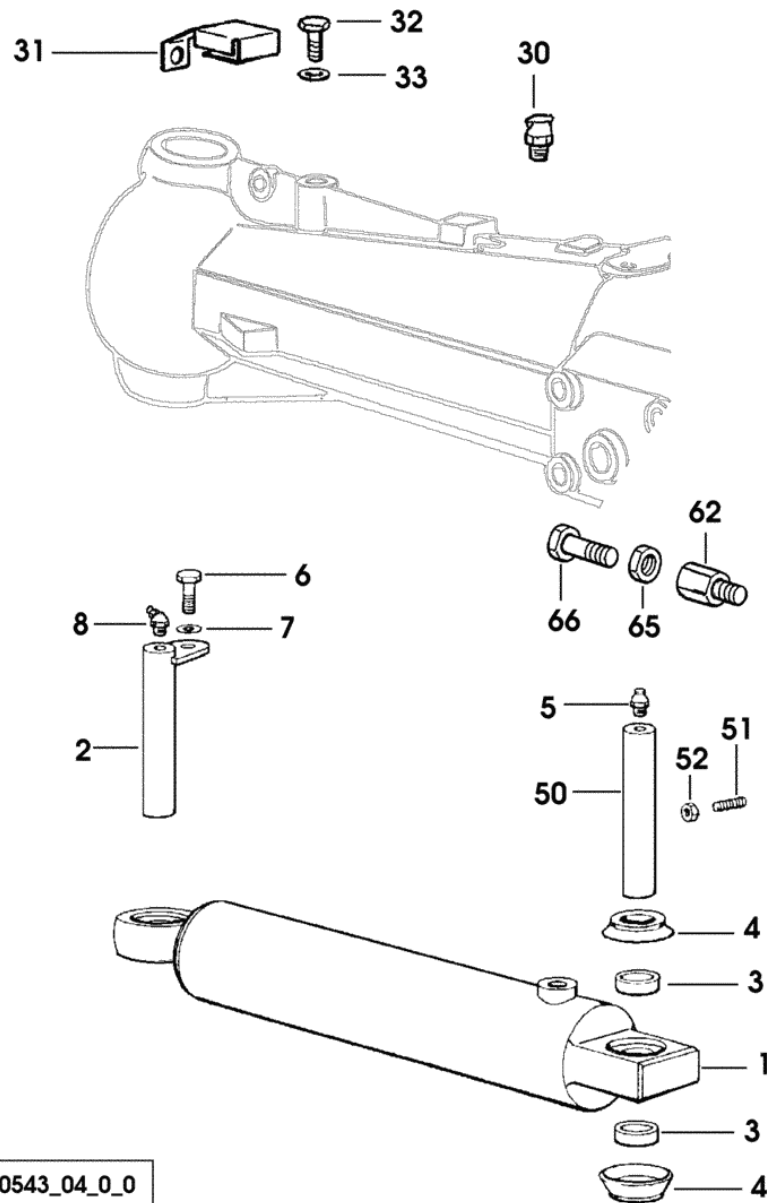
Section: FRONT AXEL
GUARD PLATE 2wd

Fig.	Code	QTY	Name
1	0.014.3019.2	1	guard
2	2.0112.207.2	1	screw m 8 p 1.25x20
3	2.0112.205.2	1	screw m 8 p.1.25x16
4	2.1470.004.2	2	lock washer 8
5	2.1310.004.2	2	flat washer 8.4x16



Section: FRONT AXEL
4WD - POWER STEERING CYLINDER

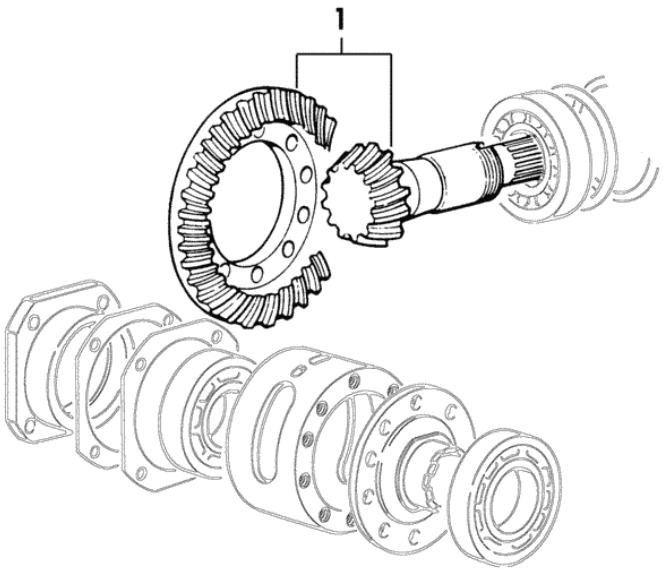
Fig.	Code	QTY	Name
1	0.448.6342.4	2	jack ↳ 594 => 594
2	0.270.6350.2/30	2	pin
3	2.1579.739.0	8	spacer 21x25x10
4	0.270.6351.0	8	gasket
5	2.3820.105.2	2	lubricator m 10 p.1x7
6	2.0112.207.2	2	screw m 8 p 1.25x20
7	2.1470.004.2	2	lock washer 8
8	2.3821.303.2	2	lubricator m 10 p.1
30	0.135.4363.3/10	3	valve
31	0.270.4355.0	2	guard
32	2.0112.304.2	2	screw m 10 p.1.5x14
33	2.1310.006.2	2	flat washer 10.5x20
50	0.008.5388.0/10	2	piston pin
51	2.0399.050.2	2	screw m 10 p.1x30
52	2.1011.406.2	2	nut m 10 p.1
62	0.010.8798.0	2	spacer
65	2.1011.208.2	2	nut m 14
66	2.0119.228.2	2	screw m 14 p.2x40



9_40543_04_0_0

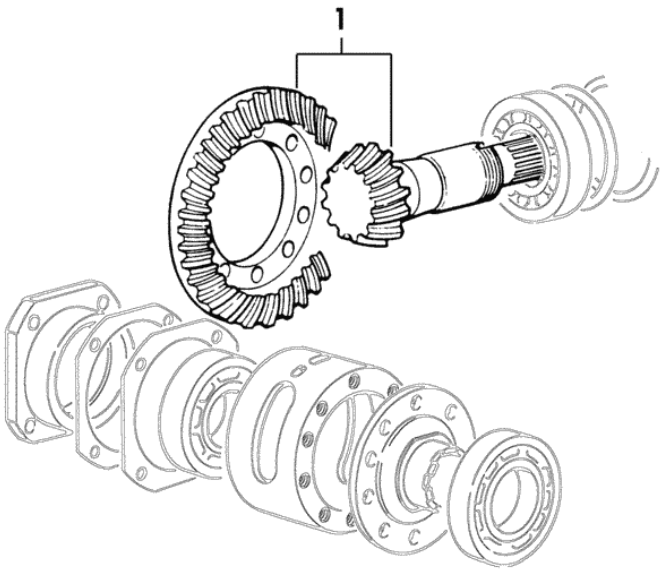
Section: FRONT AXEL
4WD - BEVEL WHEEL GEAR 30 Km/h

Fig.	Code	QTY	Name
1	0.445.4620.3/30	1	bevel gear z=10 z=38



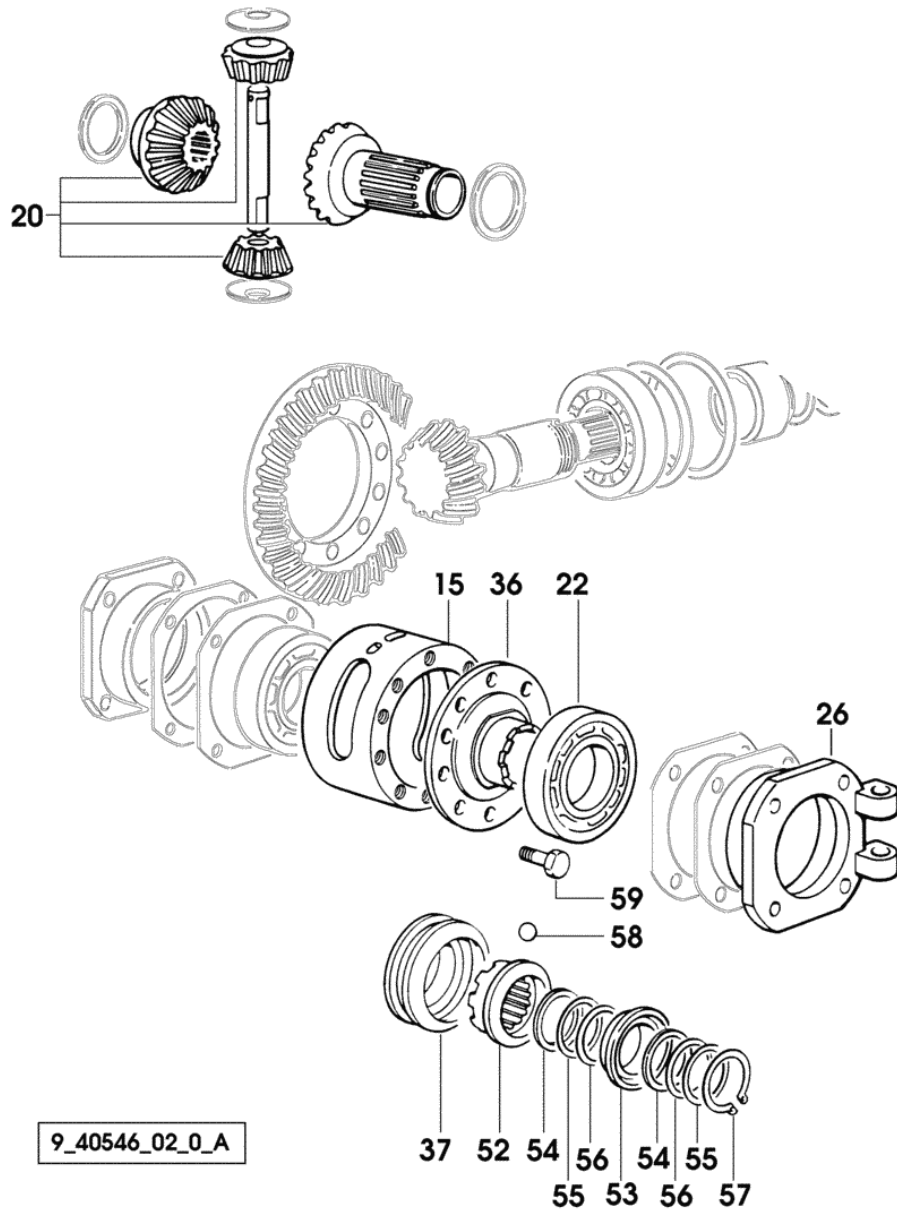
Section: FRONT AXEL
4WD - BEVEL WHEEL GEAR 40 Km/h

Fig.	Code	QTY	Name
1	0.445.4653.3/20	1	bevel gear z=11 z=32



Section: FRONT AXEL
4WD - DIFFERENTIAL LOCK CONTROL-MECHANICAL

Fig.	Code	QTY	Name
15	0.275.4610.0/10	1	differential carrier
20	0.275.4622.3/10	1	crown wheel
22	2.2520.011.0	1	roller bearing 50x90x21.75
26	0.467.4650.0/30	1	flange
36	0.255.4615.0	1	flange
37	0.255.4617.0	1	sleeve
52	0.255.4618.0/10	1	sleeve
53	0.255.4619.0	1	spacer
54	2.1599.317.0	2	snoulder 38.5x44.50x1.5
55	2.1580.130.0	4	shim 38.5x44.50x0.5
56	2.1580.131.0	4	shim 38.5x44.50x0.2
57	2.1410.015.1	1	circlip 38
58	2.2810.006.0	17	ball mm 9.525
59	2.0139.002.1	10	screw m 10 p.1.25x20



9_40546_02_0_A

Section: FRONT AXEL
DIFFERENTIAL

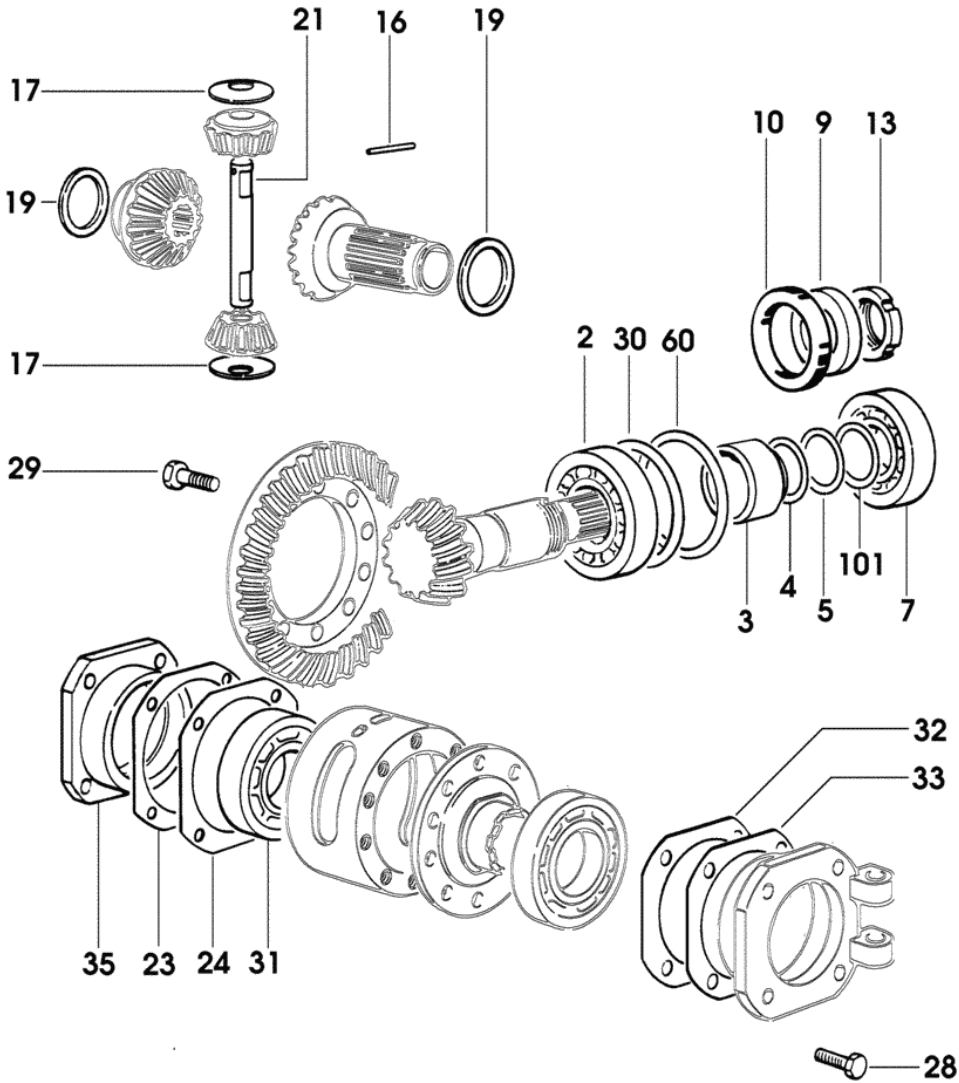


Fig.	Code	QTY	Name
2	2.2560.006.0	1	roller bearing 40x90x25.25
3	0.008.0389.0	1	spacer mm 37
4	2.1580.101.0	2	shim 36x43x0.2
5	2.1580.102.0	3	shim 36x43x0.5
7	2.2560.005.0	1	roller bearing 35x80x22.75
9	0.255.4650.0	1	spacer 35x58x19
10	2.1529.007.0/10	1	'o' ring 58x80x13
13	2.1214.108.7	1	ring nut m 35 p.1.5
16	2.1631.418.0	1	roll pin 5x45
17	0.255.4629.0	2	snoulder 15.5x36x2
19	2.1599.431.0	2	snoulder 42x66x2
21	0.010.0856.0/20	1	pin
23	0.445.4656.0/10	2	shim 92x127x0.2
24	0.445.4655.0/10	2	shim 92x127x0.5
28	2.0132.207.2	8	screw m 10 p.1x25
29	2.0139.025.1	10	screw m 10 p.1.25x25
30	2.1580.302.0	2	shim 76x89x0.5
31	2.2540.005.0	1	roller bearing 45x85x24.75
32	0.146.4653.0/10	4	shim 96x127x0.2
33	0.146.4654.0/10	4	shim 96x127x0.5
35	0.255.4652.0/20	1	flange
60	2.1580.301.0	2	shim 76x89x0.2
101	2.1580.109.0	2	shim 36x43x0.15

Section: FRONT AXEL
DIFFERENTIAL WATER PROOF

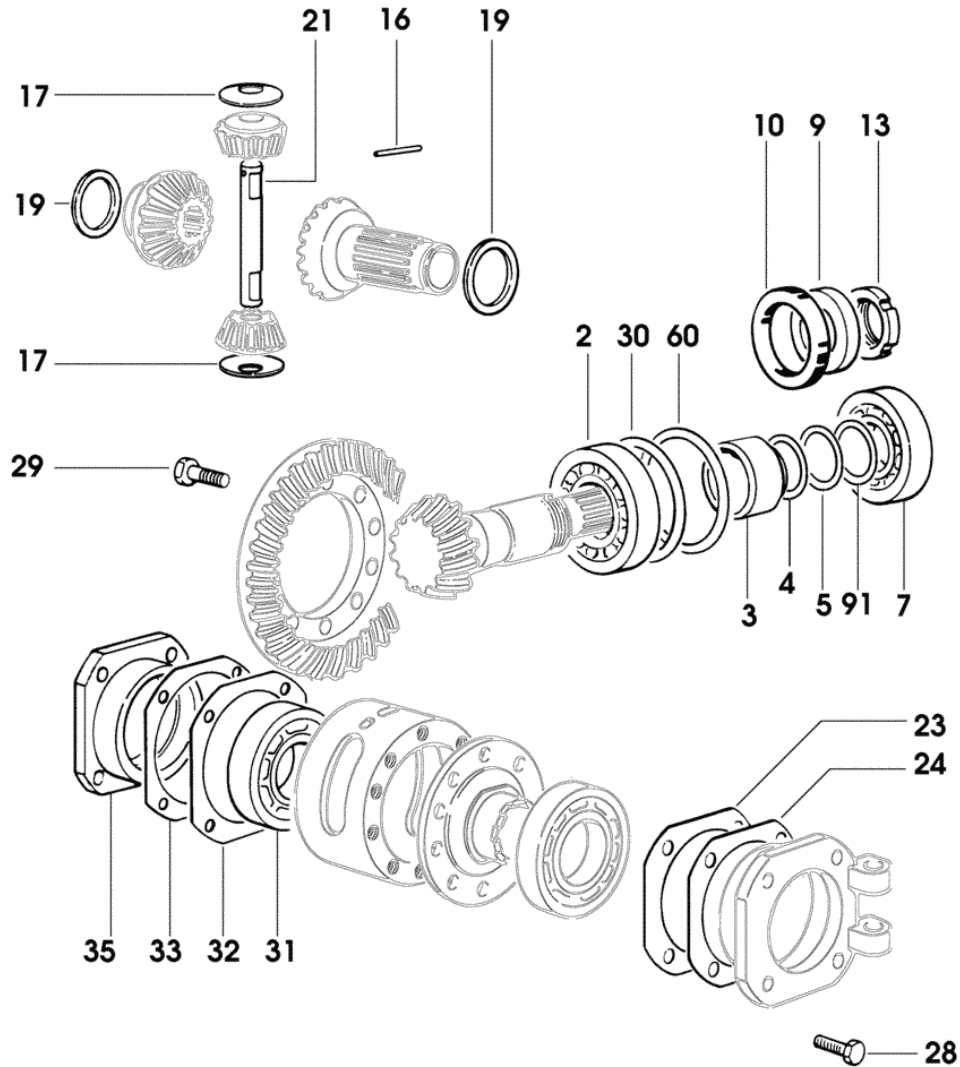


Fig.	Code	QTY	Name
2	2.2560.006.0	1	roller bearing 40x90x25.25
3	0.008.0389.0	1	spacer mm 37
4	2.1580.101.0	2	shim 36x43x0.2
5	2.1580.102.0	3	shim 36x43x0.5
7	2.2560.005.0	1	roller bearing 35x80x22.75
9	2.1549.459.0	1	spacer 35x55x19
10	2.1529.149.0	1	'o' ring 55X80X12.5
13	2.1214.108.7	1	ring nut m 35 p.1.5
16	2.1631.418.0	1	roll pin 5x45
17	0.255.4629.0	2	snoulder 15.5x36x2
19	2.1599.431.0	2	snoulder 42x66x2
21	0.010.0856.0/20	1	pin
23	0.445.4656.0/10	2	shim 92x127x0.2
24	0.445.4655.0/10	2	shim 92x127x0.5
28	2.0132.207.2	8	screw m 10 p.1x25
29	2.0139.025.1	10	screw m 10 p.1.25x25
30	2.1580.302.0	2	shim 76x89x0.5
31	2.2540.005.0	1	roller bearing 45x85x24.75
32	0.146.4653.0/10	4	shim 96x127x0.2
33	0.146.4654.0/10	4	shim 96x127x0.5
35	0.255.4652.0/20	1	flange
60	2.1580.301.0	2	shim 76x89x0.2
91	2.1580.109.0	2	shim 36x43x0.15

9_55246_00_0_A

Section: FRONT AXEL
4WD - AXLESHAFTS

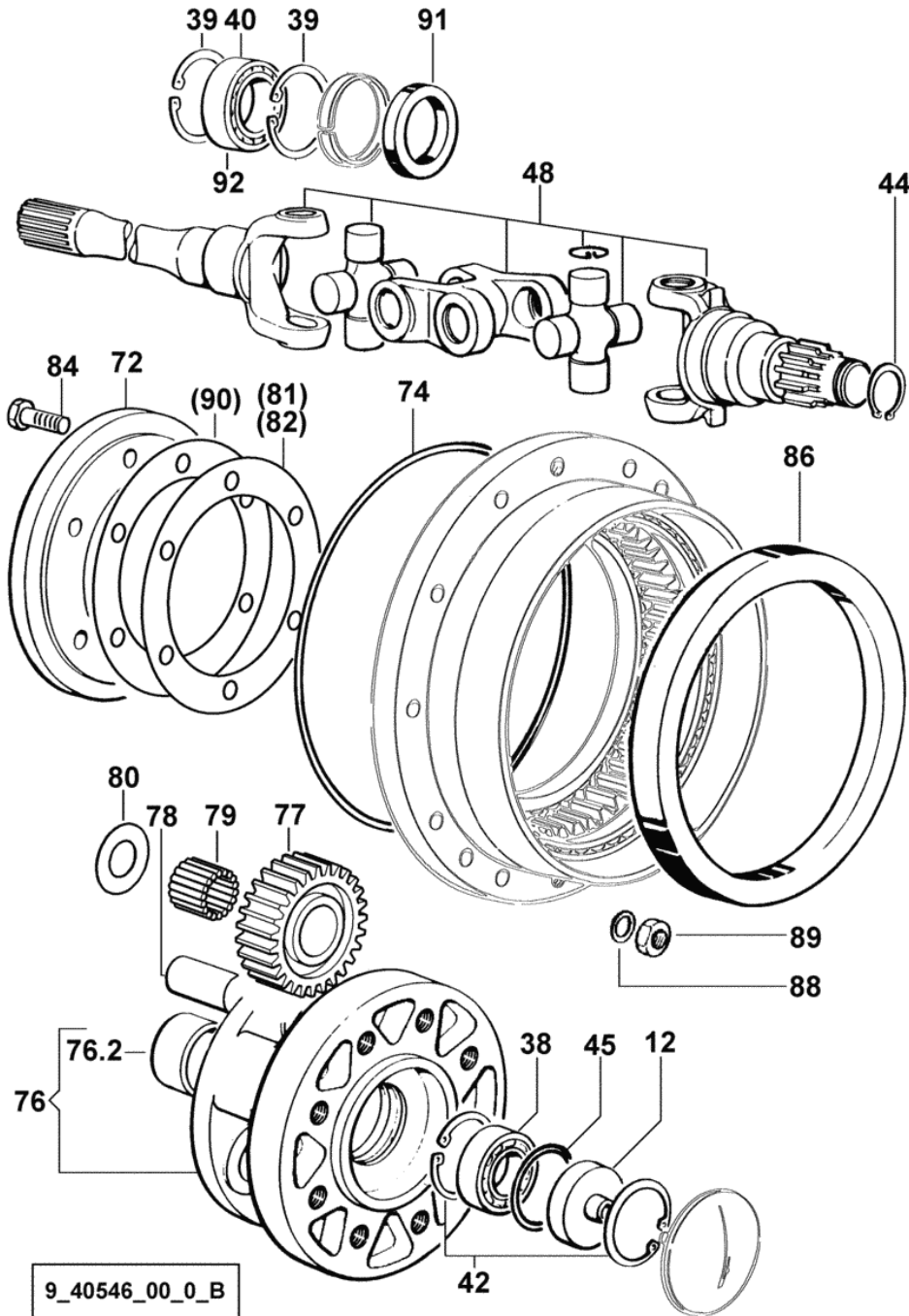


Fig.	Code	QTY	Name
12	0.275.4653.0	2	small cover
38	2.2030.007.0	2	ball bearing 30x55x13
39	2.1411.025.1	4	circlip 62
40	2.2999.415.0	1	roller bearing 43.8x62x17
42	2.1411.022.1	4	circlip 55
44	2.1499.528.1	2	circlip 30
45	2.1530.134.0	2	'o' ring 53.98x3.53
48	0.010.5413.4/10	2	half-shaft ⇒ 596 => 596
72	0.275.4650.0/10	2	flange
74	2.1530.308.0	2	'o' ring 253.6x3.53
76	0.275.4642.3/40	2	spider
76.2	2.1559.067.0	1	bushing 44.1x50.1x25
77	0.255.4644.0/20	6	planet gear
78	0.198.4643.0	6	pin
79	2.2999.002.0	6	roller cage 25x35x30
80	2.1599.871.0	12	thrust plate 25x48x1
84	2.0139.002.1	18	screw m 10 p.1.25x20
86	2.1529.138.0	2	'o' ring 210x240x19.5/21.5
88	2.1475.203.7	20	washer 10.5x20
89	2.1012.421.7	20	nut m 10
91	2.1529.112.0	2	'o' ring 45x65x18.5
92	2.2999.325.0	1	roller bearing 43.8x62x18

9_40546_00_0_B

Section: FRONT AXEL

4WD - AXLESHAFTS WATER PROOF

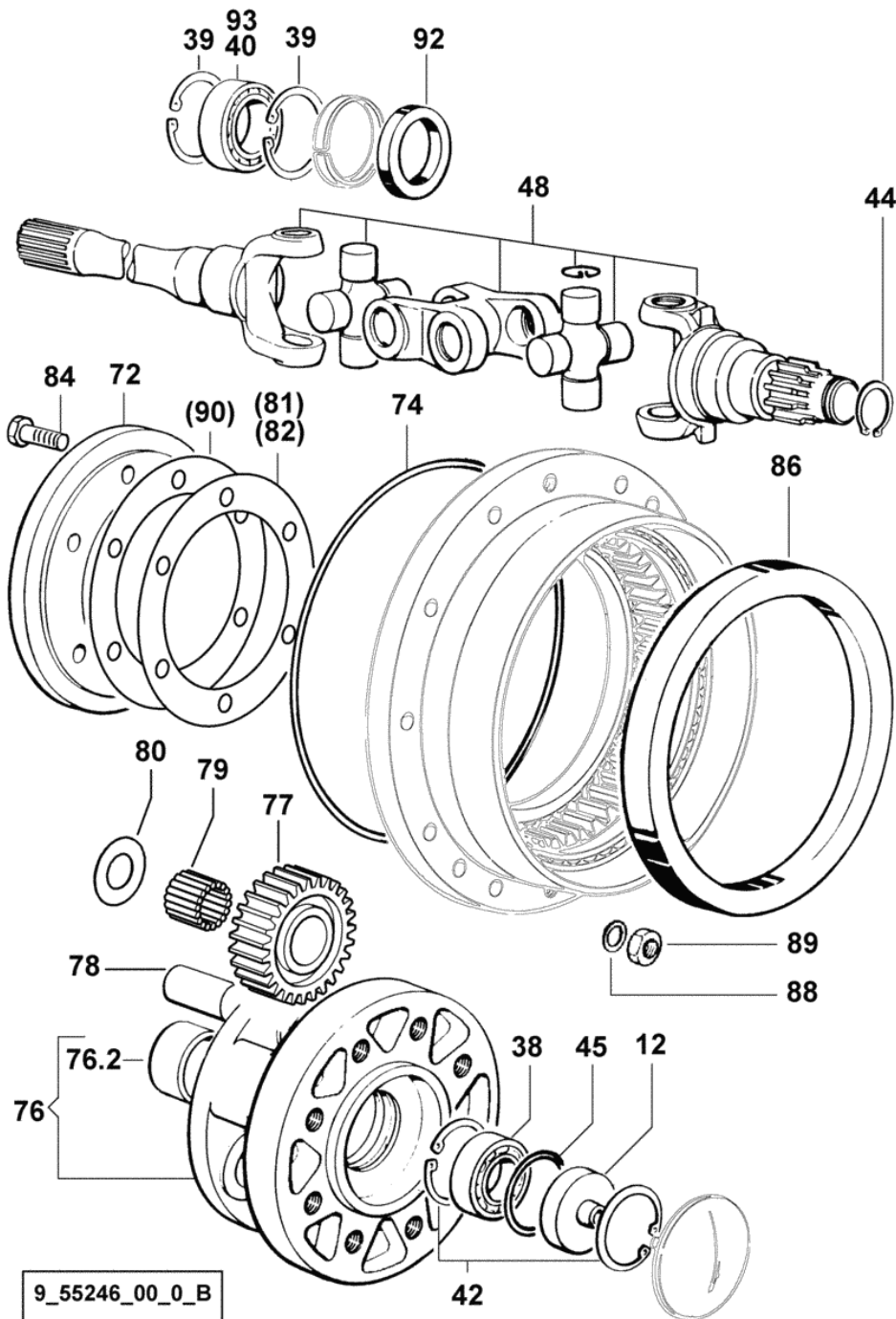
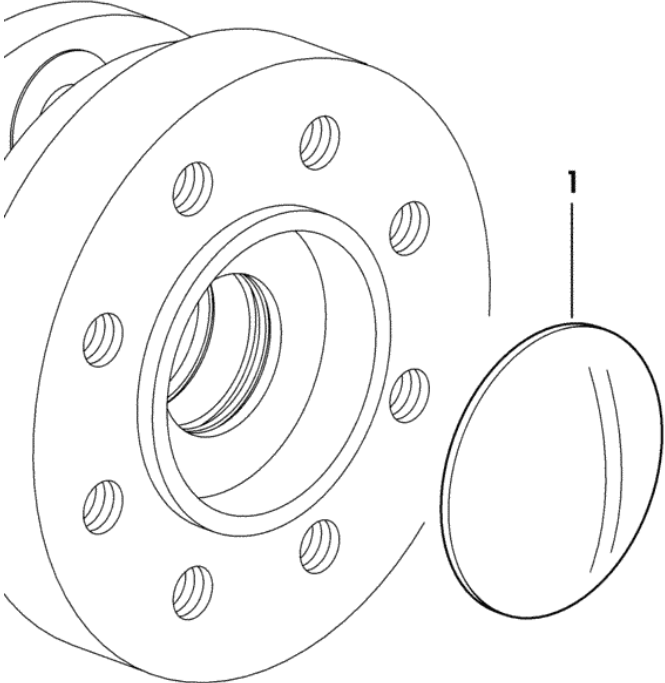


Fig.	Code	QTY	Name
12	0.275.4653.0	2	small cover
38	2.2030.007.0	2	ball bearing 30x55x13
39	2.1411.025.1	4	circlip 62
40	2.2999.415.0	1	roller bearing 43.8x62x17
42	2.1411.022.1	4	circlip 55
44	2.1499.528.1	2	circlip 30
45	2.1530.134.0	2	'o' ring 53.98x3.53
48	0.010.5413.4/10	2	half-shaft ⇒ 596 => 596
72	0.275.4650.0/10	2	flange
74	2.1530.308.0	2	'o' ring 253.6x3.53
76	0.275.4642.3/40	2	spider
76.2	2.1559.067.0	1	bushing 44.1x50.1x25
77	0.255.4644.0/20	6	planet gear
78	0.198.4643.0	6	pin
79	2.2999.002.0	6	roller cage 25x35x30
80	2.1599.871.0	12	thrust plate 25x48x1
84	2.0139.002.1	18	screw m 10 p.1.25x20
86	2.1529.138.0	2	'o' ring 210x240x19.5/21.5
88	2.1475.203.7	20	washer 10.5x20
89	2.1012.421.7	20	nut m 10
92	2.1529.112.0	2	'o' ring 45x65x18.5
93	2.2999.325.0	1	roller bearing 43.8x62x18

9_55246_00_0_B

Section: FRONT AXEL
FRONT WHEEL HUB COVER

Fig.	Code	QTY	Name
1	0.012.7082.3/10	2	cover



9_40546_10_0_0

Section: FRONT AXEL
4WD - DIFFERENTIAL LOCK CONTROL-MECHANICAL

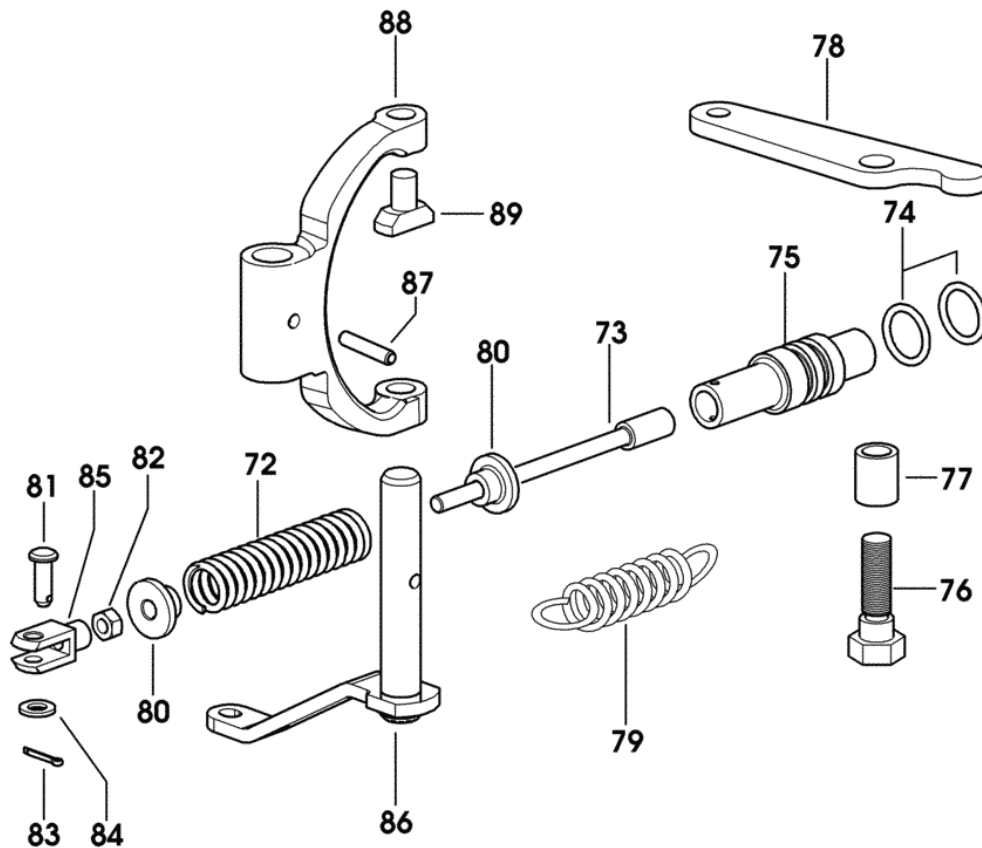


Fig.	Code	QTY	Name
72	2.4019.397.2	1	spring
73	0.467.4659.0/10	1	ferrule
74	2.1530.043.0	2	'o' ring 17.13x2.62
75	0.008.0889.0	1	piston
76	2.0399.232.2	1	screw
77	2.1579.090.2	1	spacer 10.1x15x18
78	0.008.0583.0	1	small lever
79	2.4049.184.2	1	spring 12.4x18x2.8x56
80	0.272.4651.0	2	spacer
81	2.1671.103.2	1	pin 6x18
82	2.1011.103.2	1	nut m 6 p.1
83	2.1690.205.2	1	split pin 2x12
84	2.1310.002.2	1	flat washer 6.4x12.5
85	2.3510.003.2	1	fork m 6
86	0.007.2705.2/10	1	lever
87	2.1630.511.0	1	roll pin 5x24
88	0.467.4657.0/10	1	fork
89	0.467.4660.0	2	shoe

9_40546_02_0_B

Section: FRONT AXEL

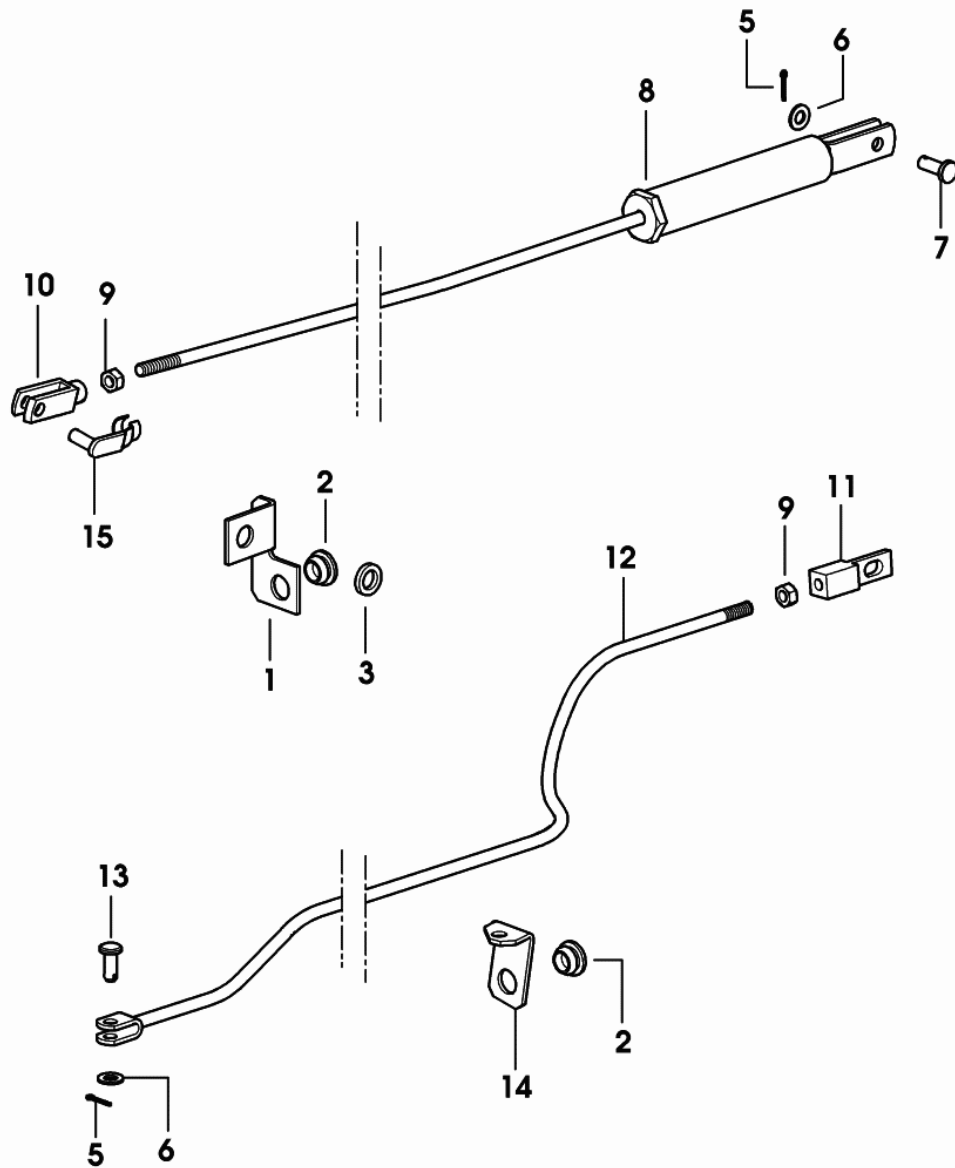
DIFFERENTIAL LOCK CONTROL

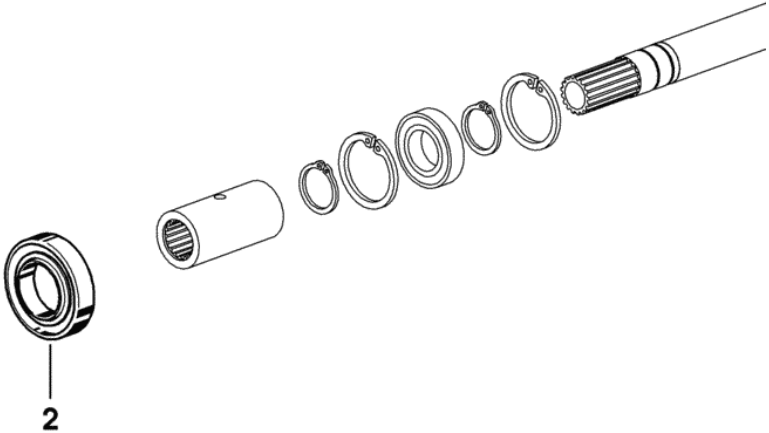
Fig.	Code	QTY	Name
1	0.255.6877.0	1	bracket
2	0.255.6858.0/10	2	rubber plug 18x5
3	2.1579.487.0	1	spacer 12.5x20x3.5
5	2.1690.206.2	2	split pin 2x16
6	2.1310.004.2	2	flat washer 8.4x16
7	2.1671.305.2	1	pin 8x22
8	0.255.6875.3	1	rod
9	2.1011.105.2	2	nut m 8 p.1.25
10	2.3510.014.2	1	fork
11	0.255.6880.0	1	tip
12	0.290.6866.2/20	1	rod
13	2.1671.304.2	1	pin
14	0.255.6878.0/20	1	plate
15	2.1673.007.2	1	small spring

Section: FRONT AXEL
4WD - TRANSMISSION SHAFT

Fig.	Code	QTY	Name
------	------	-----	------

Notes:
1093 <- X EXPLORER 85 T 1131 <- X EXPLORER 95 T

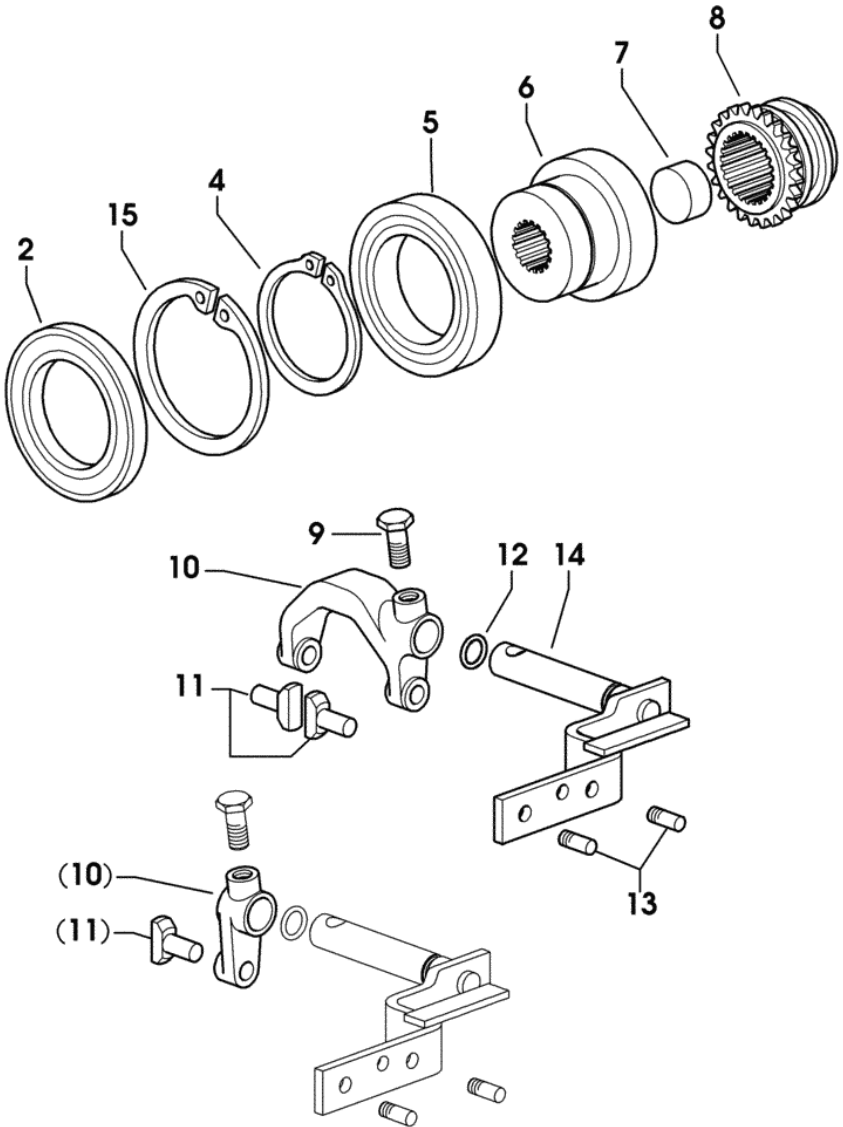
2	2.1529.106.0/10	1	'o' ring 30x55x12
---	-----------------	---	-------------------



9_55244_01_0_0

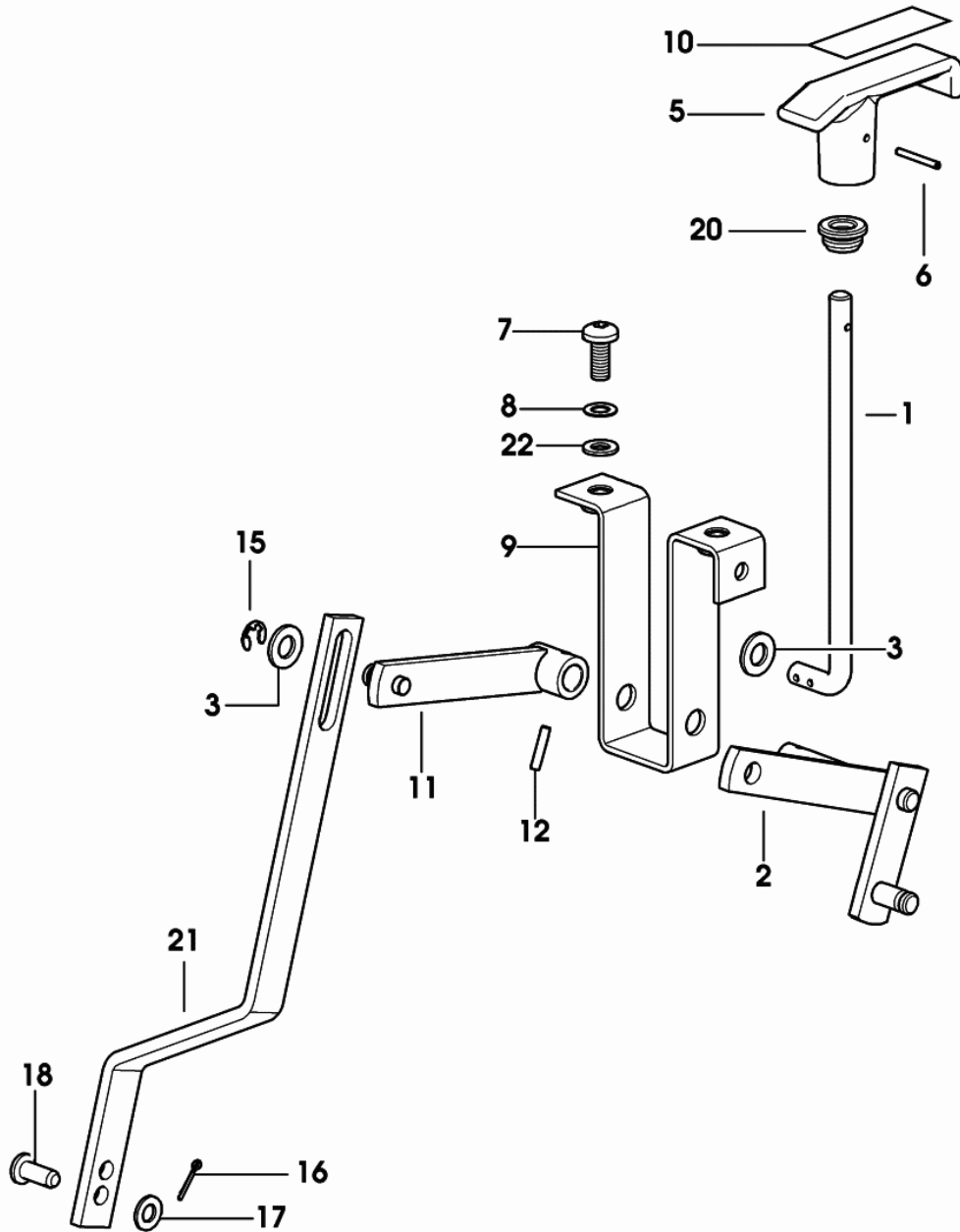
Section: FRONT AXEL
4WD - ENGAGEMENT CONTROL

Fig.	Code	QTY	Name
2	0.008.4624.0	1	'o' ring 60x95x10
4	2.1410.024.1	1	circlip 60
5	2.2030.013.0	1	ball bearing 60x95x18
6	0.255.3825.0/10	1	sleeve
7	2.3171.012.4	1	plug 30
8	0.255.3821.0/10	1	sleeve
9	2.0399.002.1	1	screw m 10 p.1x24
10	0.013.6680.0	1	lever
11	0.001.5945.0/10	2	shoe
12	2.1530.033.0	1	'o' ring 13.10x2.62
13	2.0439.002.1	2	stud bolt m 8 p.1.25x20
14	0.008.0279.3/10	1	lever
15	2.1411.038.1	1	circlip 95



9_54638_00_0_0

Section: FRONT AXEL
4WD - ENGAGEMENT CONTROL



9_C2368_01_0_0

Fig.	Code	QTY	Name
1	0.290.3851.0	1	rod
2	0.290.3840.2/10	1	lever
3	2.1310.006.2	2	flat washer 10.5x20
5	0.257.6862.0	1	grip
6	2.1630.251.9	1	pin
7	2.0330.507.2	2	screw m 8x20
8	2.1470.004.2	1	lock washer 8
9	0.290.3850.2	1	support
10	2.9919.718.0	1	plate
11	0.014.1886.2	1	lever
12	2.1632.409.2	1	pin
15	2.1430.008.7	1	circlip 7
16	2.1690.206.2	1	split pin 2x16
17	2.1310.004.2	1	flat washer 8.4x16
18	2.1671.304.2	1	pin
20	0.255.6858.0/10	1	rubber plug 18x5
21	0.014.1885.0/10	1	rod
22	2.1310.004.2	2	flat washer 8.4x16

Section: FRONT AXEL

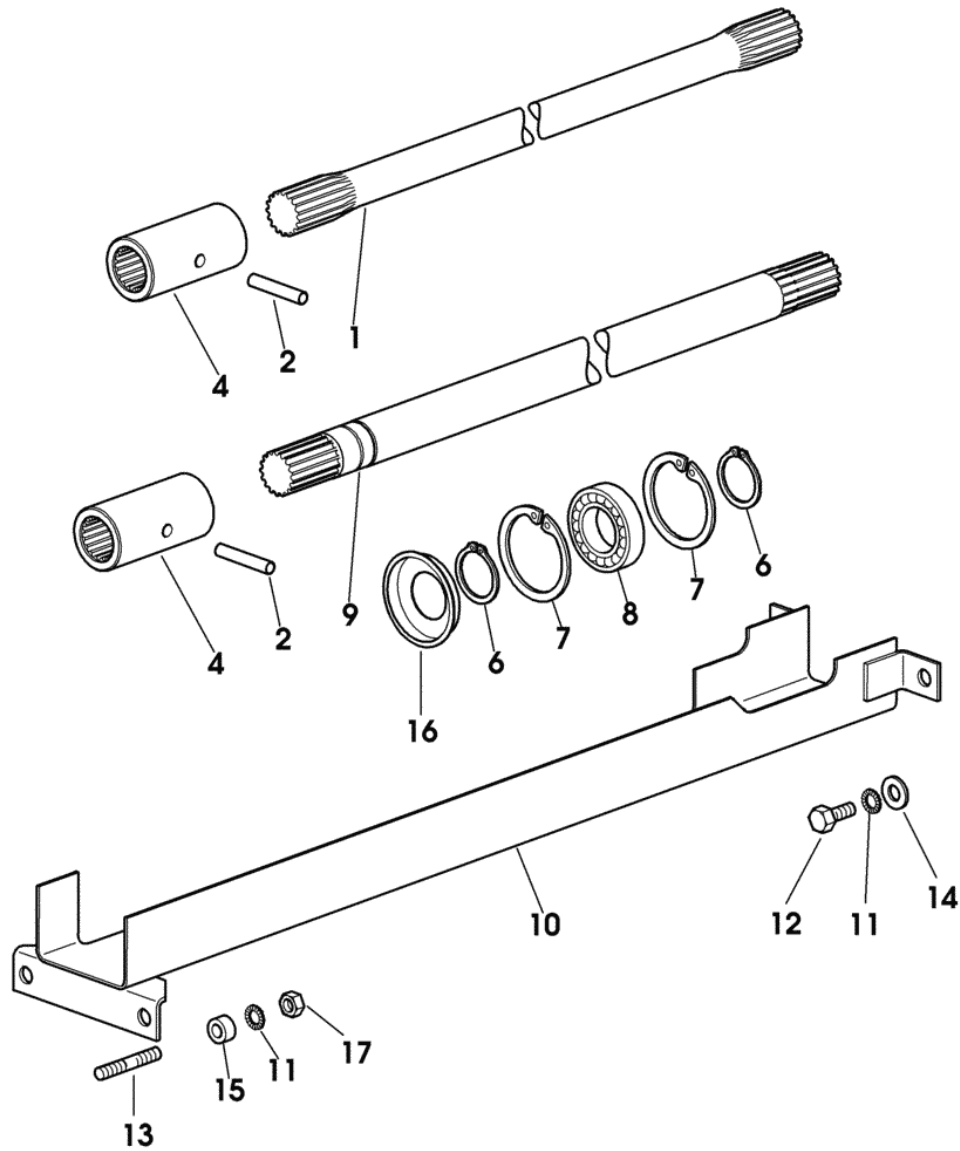
4WD - TRANSMISSION SHAFT

Fig.	Code	QTY	Name
1	0.255.2613.0	1	transmission shaft mm 553
2	2.1631.718.0	2	roll pin 8x45
4	0.255.2617.0/10	2	sleeve
6	2.1410.012.1	2	circlip 30
7	2.1411.022.1	2	circlip 55
8	2.2999.469.0	1	bearing 30x55x13
9	0.270.2616.0	1	transmission shaft mm 892.5
10	0.255.2632.2/30	1	guard
11	2.1470.004.2	4	lock washer 8
12	2.0112.205.2	2	screw m 8 p.1.25x16
13	2.0422.205.2	2	stud bolt m 8x25
14	2.1310.004.2	2	flat washer 8.4x16
15	2.1579.987.2	2	spacer 8.5x16x8
16	0.011.1310.0	1	ring
17	2.1011.105.2	2	nut m 8 p.1.25

9_55226_00_0_0

EXPLORER 85 T

FRONT AND REAR P.T.O.

P.T.O. - CLUTCH TRANSMISSION SHAFT.....	235
P.T.O. - PUMP CONTROL.....	237
P.T.O. SHAFT DRIVE FOR TYPES WITH MECHANICAL CONTROLS.....	239
P.T.O. - 2 SPEED TYPE.....	242
4 SPEED P.T.O.....	245
4 SPEED P.T.O.....	246
P.T.O. - FIXED END SHAFT - FOR 2-SPEED STANDARD SEALS.....	247
P.T.O. - FIXED END SHAFT - FOR 4-SPEED STANDARD SEALS.....	248
PTO - 2-SPEED WITH INSERTED END SHAFT.....	249
PTO - 2-SPEED WITH INSERTED END SHAFT - EXPORT U.S.A.....	250
P.T.O - 4-SPEED WITH INSERTED END SHAFT.....	251
P.T.O - 4-SPEED WITH INSERTED END SHAFT - EXPORT U.S.A.....	252
ROAD P.T.O. SHAFT WATER PROOF.....	254
P.T.O. - SYNCHRONIZED.....	256
COVER FOR TYPES WITHOUT SYNCHRO PTO.....	257
PTO - PARTS SET WITH STANDARD SEALS.....	258
PTO - PARTS SET WITH WATER PROOF SEALS.....	259
PTO - SEAL RING FOR INSERTED END SHAFT - STANDARD VERSION.....	260
PTO - SEAL RING FOR INSERTED END SHAFT - WATER PROOF VERSION.....	261
P.T.O. SHAFT DRIVE.....	262.1
P.T.O. - ECONOMICAL CONTROL.....	265
P.T.O. - SYNCHRONIZED CONTROL.....	268
P.T.O. SHAFT PROTECTOR REAR.....	271
P.T.O. SHAFT PROTECTOR REAR EXPORT GB.....	272

Section: FRONT AND REAR P.T.O.

P.T.O. - CLUTCH TRANSMISSION SHAFT

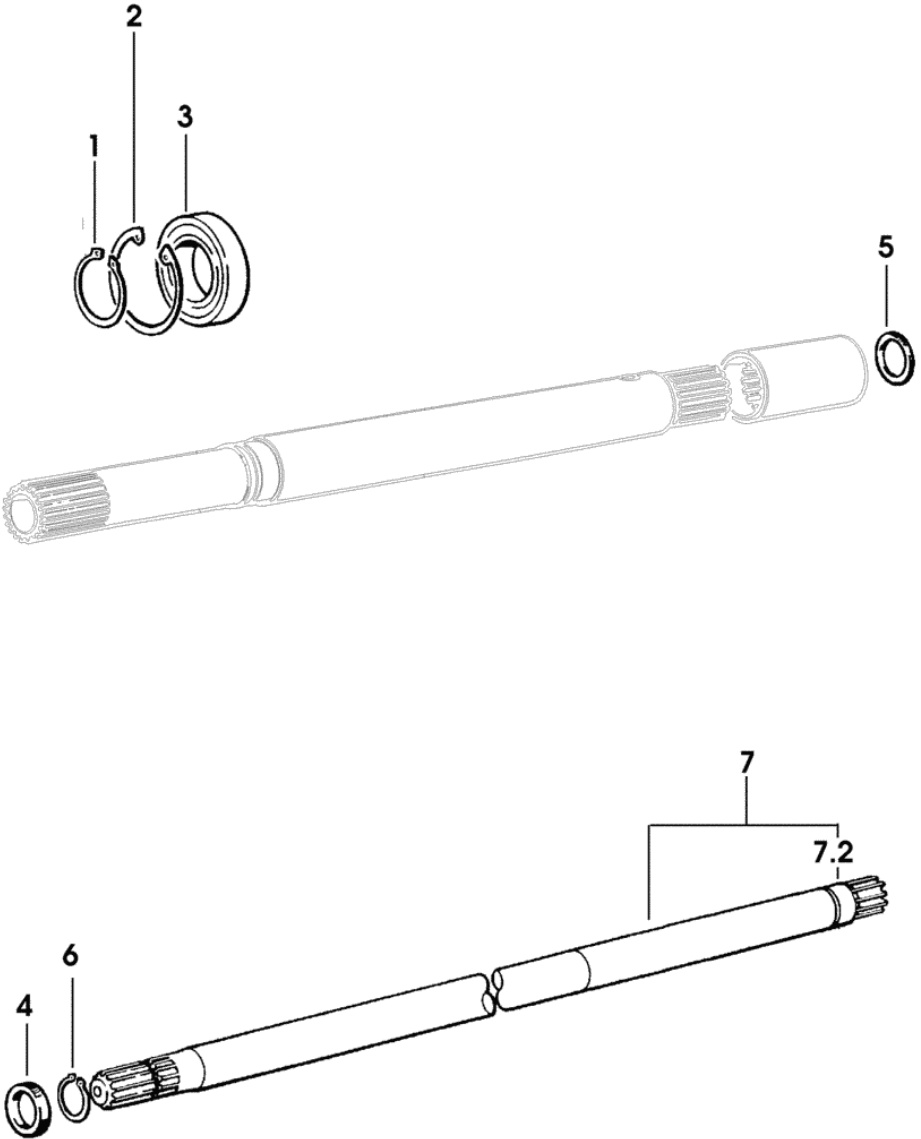


Fig.	Code	QTY	Name
1	2.1410.016.1	1	circlip 40x1.75
2	2.1411.027.1	1	circlip 68
3	2.2999.306.0/10	1	bearing 40x68x15
4	2.1519.086.0	1	'o' ring 25x33x6
5	2.1530.091.0	1	'o' ring 34.60x2.62
6	2.1410.009.1	1	circlip 24
7	0.008.4227.3/50	1	p.t.o.shaft
7.2	0.255.2550.0	1	ring

9_54625_00_0_0

P.T.O. - PUMP CONTROL

9_B8639_00_0_0

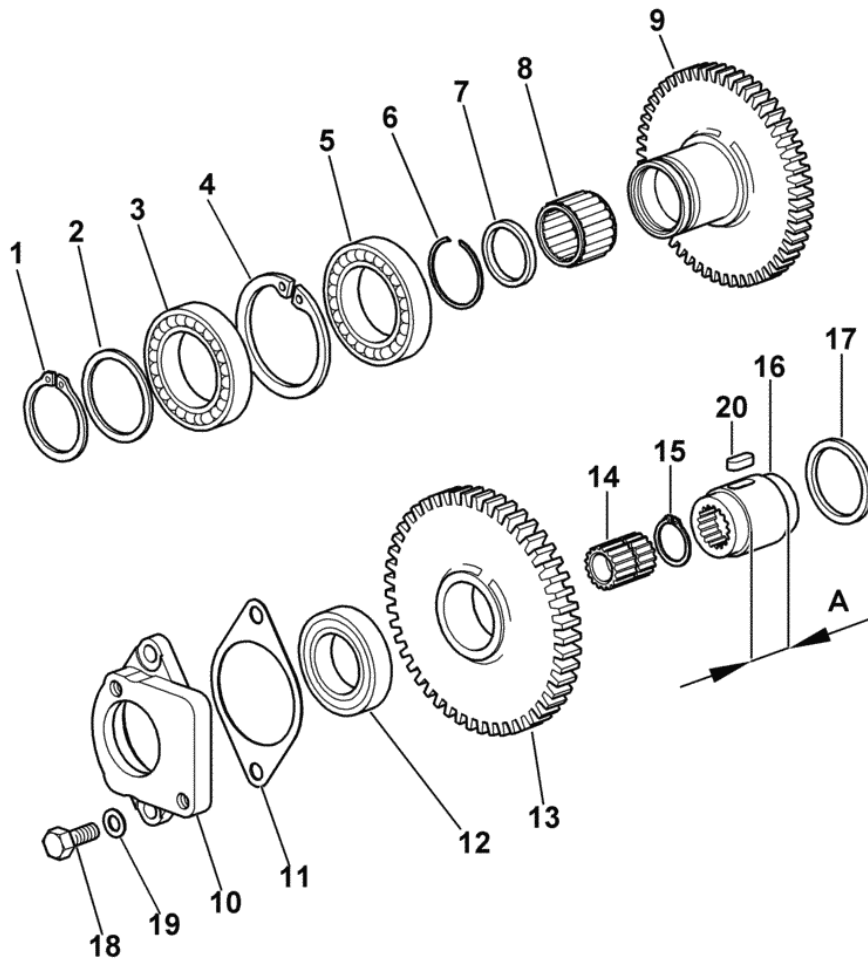


Fig.	Code	QTY	Name
1	2.1410.020.1	1	circlip 50
2	2.1599.426.0	1	snoulder 50x60x2.5
3	2.2030.011.0	1	ball bearing 50x80x16
4	2.1411.032.1	1	circlip 80
5	2.2999.465.0	1	ball bearing 50x80x16
6	2.1423.031.7	1	snoulder 43.8x1.5
7	2.1549.372.0	1	spacer 42.5x35.15x5
8	2.2999.357.0	1	bearing 42x35x17.8
9	0.013.3794.0/10	1	gear z = 55
10	0.255.3942.0/20	2	flange
11	0.255.3953.0/10	2	gasket
12	2.2030.009.0	2	ball bearing 40x68x15
13	0.013.3792.0	1	gear z = 49
14	0.008.4464.0/30	2	sleeve
15	2.1410.011.1	2	circlip 28
16	0.013.7789.0	1	sleeve
			A = mm 33
17	2.1599.884.0	2	shim 45x55x4
18	2.0112.309.2	4	screw m 10 p.1.5x25
19	2.1560.006.0	4	gasket 10.5
20	2.1710.205.0	1	dowel 8x7x20

EXPLORER 85 T

Section: FRONT AND REAR P.T.O.

Ref.: 239

P.T.O. SHAFT DRIVE FOR TYPES WITH MECHANICAL CONTROLS

9_C2339_01_0_0

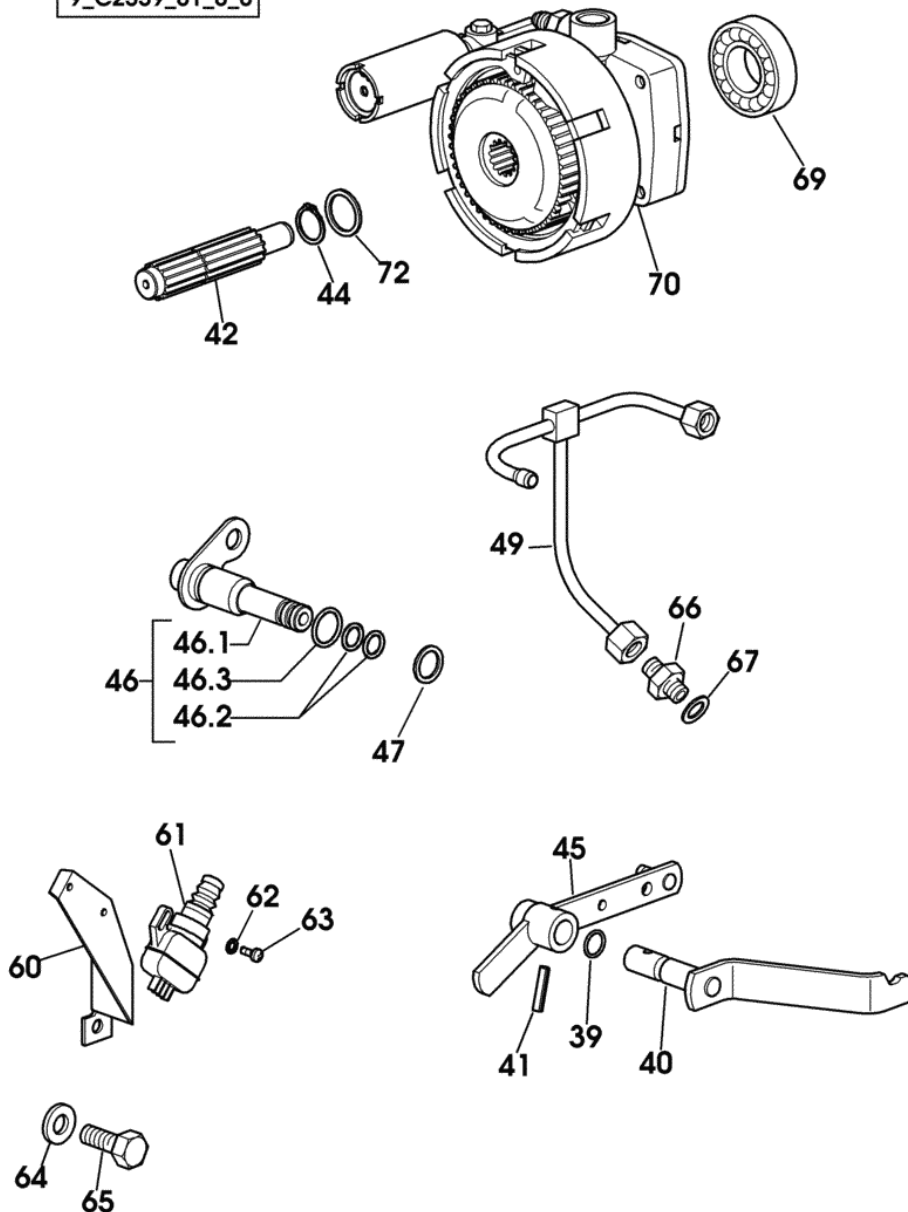


Fig.	Code	QTY	Name
39	2.1530.028.0	1	'o' ring 11.91x2.62
40	0.445.3916.2	1	small lever
41	2.1630.612.0	1	roll pin 6x28
42	0.445.3930.0	1	shaft
44	2.1410.009.1	1	circlip 24
45	0.008.8416.2/10	1	lever
46	0.008.2926.4	1	pipe fitting
46.1	0.008.2926.3/20	1	pipe fitting
46.2	2.1530.029.0	2	'o' ring 12.37x2.62
46.3	2.1530.048.0	1	'o' ring 18.72x2.62
47	2.1560.014.0	1	gasket 18.2x24x1.5
49	0.445.3953.2/10	1	tube
60	0.008.3238.0	1	bracket
61	2.7659.096.0/10	1	switch
62	2.1470.052.2	2	lock washer 4
63	2.0332.203.2	2	screw m 4x10
64	2.1310.007.2	1	flat washer 13x24
65	2.0112.411.2	1	screw m 12 p.1.75x30
66	2.3339.453.2	1	pipe fitting m 12 p.1.25-1/2"
67	2.1560.008.0	1	gasket 12.2x18
69	2.2043.009.0	1	ball bearing 30x62x16
70	0.010.9111.4/50	1	hydraulic pto clutch
			☞ 599
			1196 <- X EXPLORER 85 T
			1238 <- X EXPLORER 95 T
			1280 <- X EXPLORER 95 TB
			=> 599
70	0.010.9111.4/60	1	hydraulic pto clutch
			☞ 600
			-> 1197 X EXPLORER 85T
			-> 1239 X EXPLORER 95T
			-> 1281 X EXPLORER 95TB
			=> 600
72	2.1599.761.0	1	thrust plate 24x30x2

EXPLORER 85 T

Section: FRONT AND REAR P.T.O.

Ref.: 242

P.T.O. - 2 SPEED TYPE

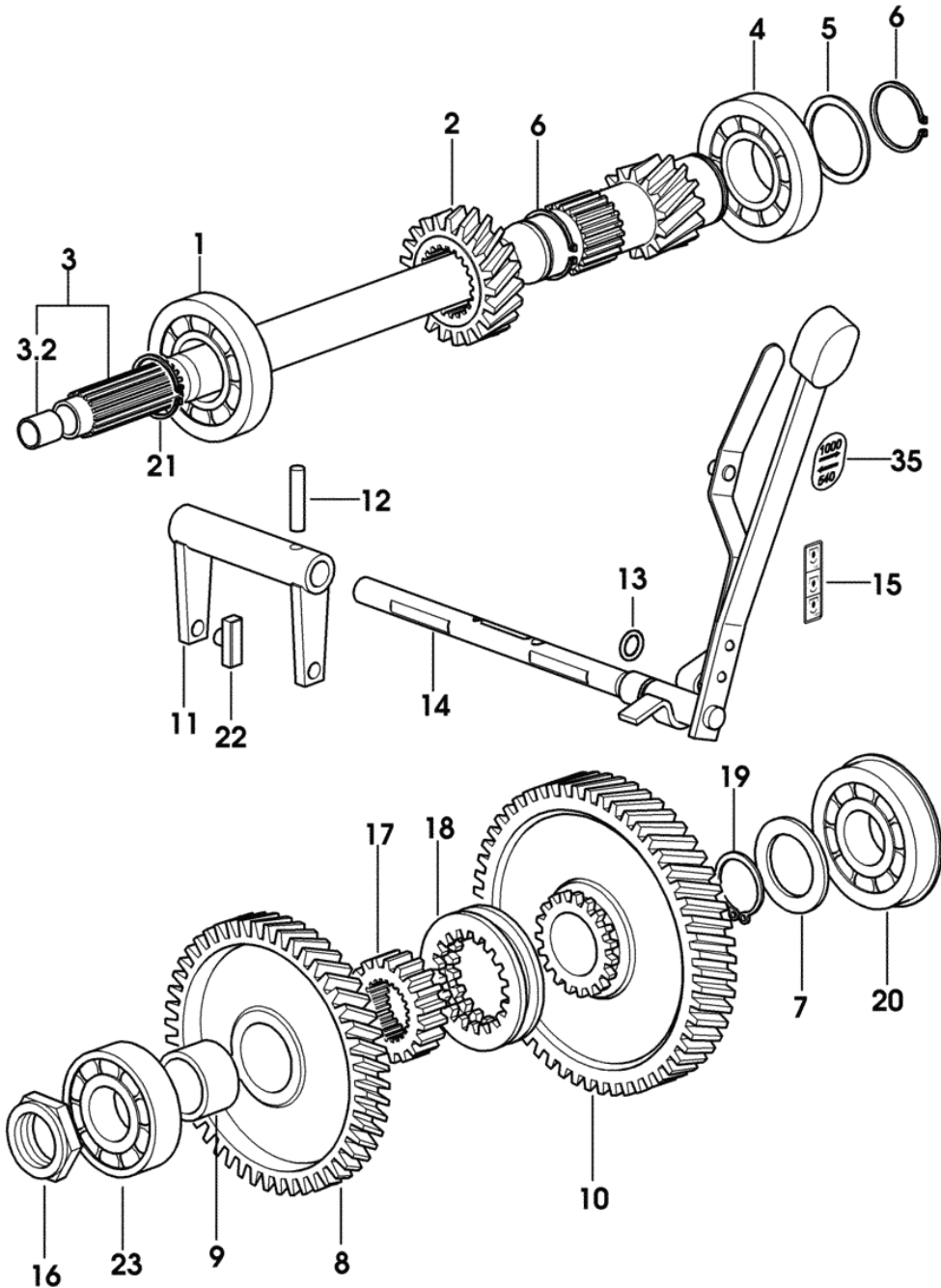


Fig.	Code	QTY	Name
1	2.2060.012.0	1	ball bearing 40x90x23
2	0.010.8218.0	1	gear z = 21
3	0.010.8217.3	1	shaft
3.2	2.1559.023.0/10	1	bushing 15.8x19x20
4	2.2062.013.0	1	bearing 45x100x25
5	2.1599.541.0	1	shim 45x55x2
6	2.1410.018.7	2	circlip 45
7	0.255.3450.0	1	snoulder 40x60x3.5
8	0.010.8219.0	1	gear z = 48
9	0.255.3662.0	1	bushing 35x44x27
10	0.010.8220.0	1	gear z = 54
11	0.255.3658.2	1	fork
12	2.1631.715.0	1	roll pin 8x32
13	2.1530.028.0	1	'o' ring 11.91x2.62
14	0.008.4560.3/50	1	lever
15	0.014.2026.0	1	plate
16	0.255.3661.0	1	ring nut m 35x1.5
17	0.255.3455.0	1	hub z=19
18	0.255.3438.0/20	1	sleeve
19	2.1499.034.1	1	circlip 40x1.75
20	2.2062.012.0	1	ball bearing 40x90x23
21	2.1410.016.1	1	circlip 40x1.75
22	0.255.6463.0	2	shoe
23	2.2060.011.0	1	ball bearing 35x80x21
35	0.014.2110.0	1	plate

9_B8636_01_0_0

4 SPEED P.T.O.

9_C2336_00_0_A

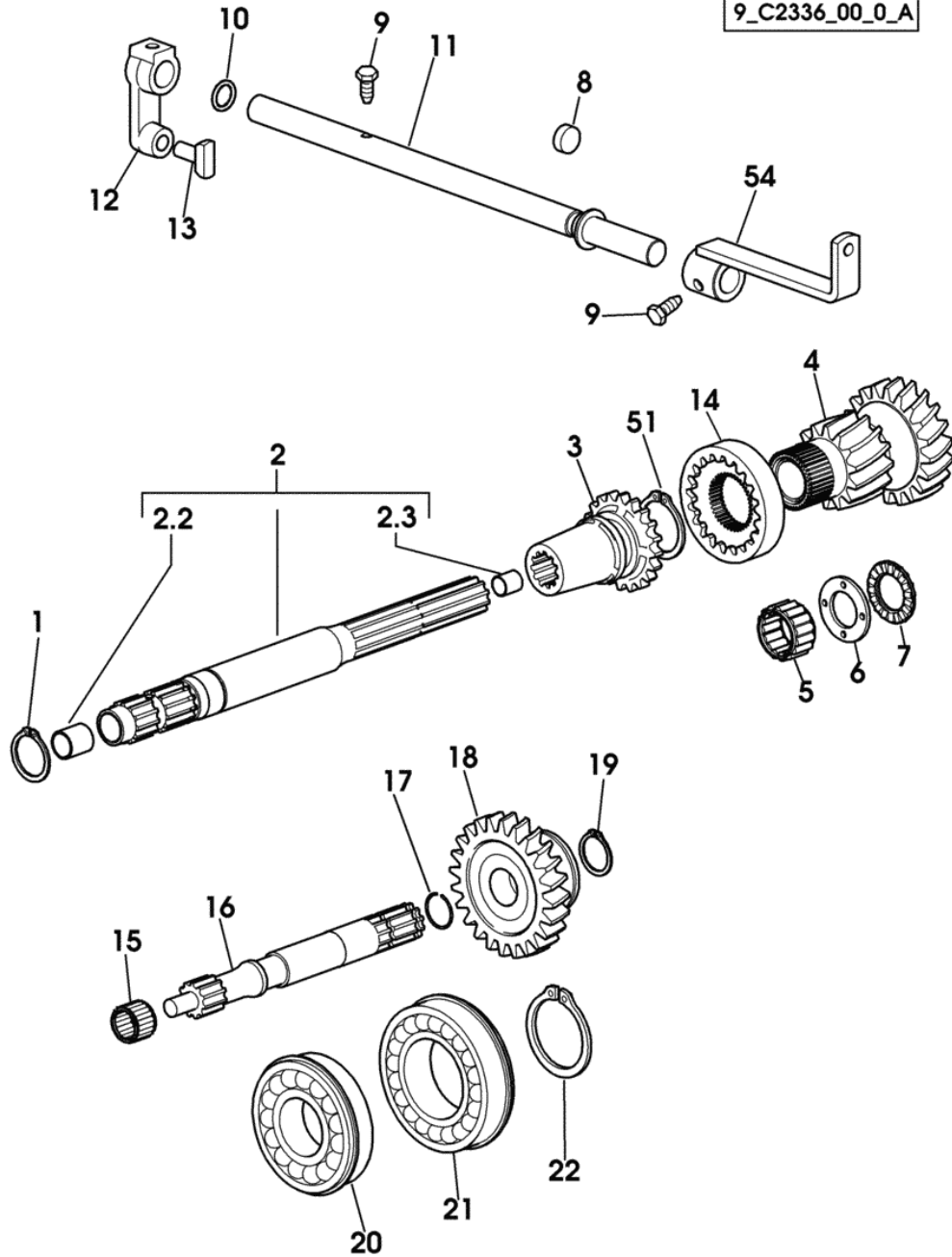


Fig.	Code	QTY	Name
1	2.1410.012.1	1	circlip 30
2	0.007.3473.3/10	1	shaft
2.2	2.1559.023.0/10	1	bushing 15.8x19x20
2.3	2.1552.101.0	1	bushing 12x14x15
3	0.009.6866.0	1	sleeve
4	0.009.6902.0	1	gear z = 14 - z = 21
5	2.2999.198.0	1	roller cage 25x37x20
6	2.1579.958.0	1	spacer 25x44x3
7	2.2999.229.0	1	roller cage 25x42x2
8	2.3171.007.4	1	plug 18
9	2.0399.019.1	2	screw m 8 p.1x16
10	2.1530.033.0	1	'o' ring 13.10x2.62
11	0.014.2729.3	1	rod
12	0.007.3492.0	1	small lever
13	0.001.5945.0/10	1	shoe
14	0.009.6867.0	1	crown wheel
15	2.2999.208.0	2	roller cage 20x26x8.8
16	0.007.3472.0/30	1	small shaft
17	2.1420.009.1	1	circlip a 22
18	0.009.6905.0	1	gear z = 24
19	2.1410.010.1	1	circlip 25
20	2.2062.012.0	2	ball bearing 40x90x23
21	2.2043.015.0	1	bearing
22	2.1410.022.1	1	circlip 55
51	2.1410.016.1	1	circlip 40x1.75
54	0.014.2731.2	1	lever

4 SPEED P.T.O.

9_C2336_00_0_B

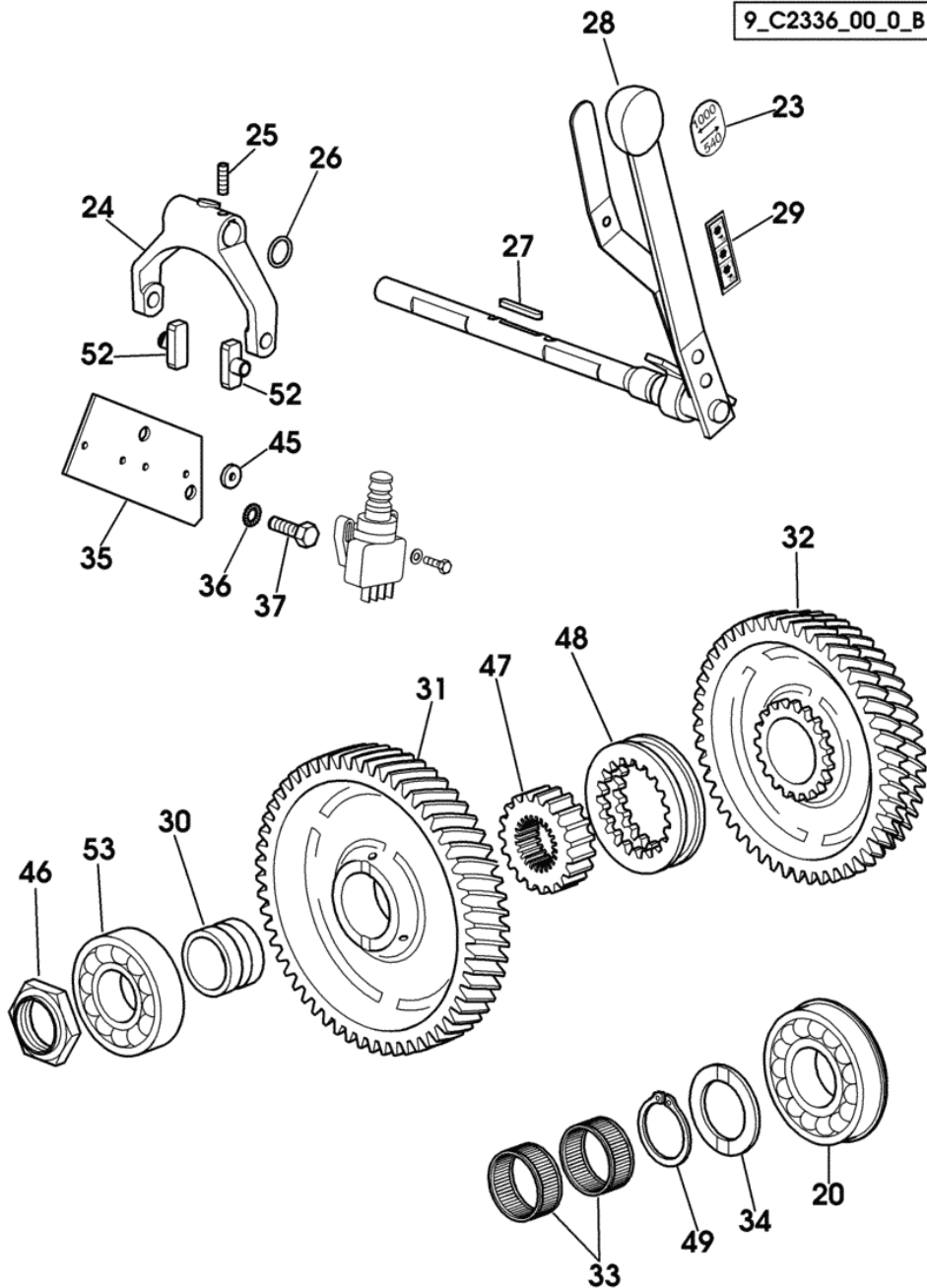


Fig.	Code	QTY	Name
20	2.2062.012.0	2	ball bearing 40x90x23
23	0.007.3555.0	1	plate
24	0.007.3487.0	1	fork
25	2.0512.109.7	1	screw
26	2.1530.038.0	1	'o' ring 15.54x2.62
27	2.1711.011.0	1	dowel 5x3x36
28	0.008.4560.3/50	1	lever
29	2.9929.704.0	1	plate
30	0.007.3471.0/10	1	bushing
31	0.010.5366.0/10	1	gear z = 54
32	0.009.6904.0/20	1	gear z = 48 - z = 43
33	2.2770.073.0	2	roller cage 40x47x18
34	0.255.3450.0	1	snoulder 40x60x3.5
35	0.008.8279.0/20	1	small plate
36	2.1470.004.2	2	lock washer 8
37	2.0312.204.2	2	screw m 8 p.1.25x16
45	2.1579.952.2	4	spacer 15x4.5x3
46	0.255.3661.0	1	ring nut m 35x1.5
47	0.013.1306.0	1	hub z = 19
48	0.255.3438.0/20	1	sleeve
49	2.1412.015.7	1	circlip 40x2.5
52	0.255.6463.0	2	shoe
53	2.2060.011.0	1	ball bearing 35x80x21

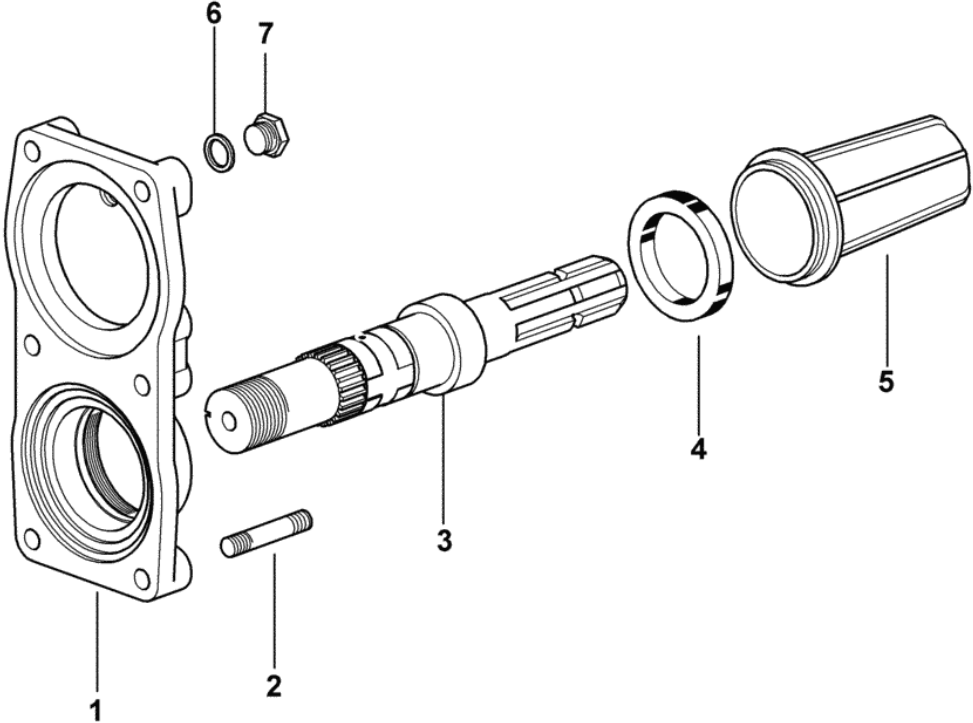
EXPLORER 85 T

Section: FRONT AND REAR P.T.O.

Ref.: 247

P.T.O. - FIXED END SHAFT - FOR 2-SPEED STANDARD SEALS

Fig.	Code	QTY	Name
1	0.010.7888.0	1	cover
2	2.0432.161.7	6	stud bolt m 10 p.1.5-1.25x40
3	0.255.3652.0/30	1	p.t.o.shaft
4	2.1529.079.0	1	'o' ring 50x68x10
5	0.154.3655.0/10	1	guard
6	2.1560.010.0	1	gasket 14.2x20
7	2.3110.403.1	1	plug m 14 p.1.5



9_B8636_08_0_0

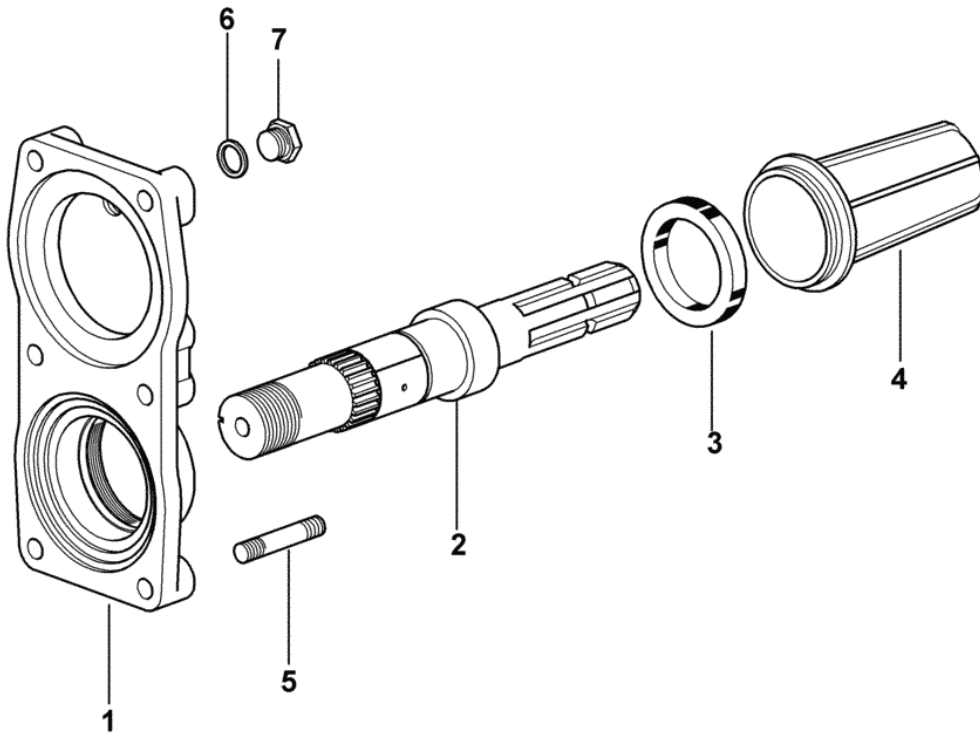
EXPLORER 85 T

Section: FRONT AND REAR P.T.O.

Ref.: 248

P.T.O. - FIXED END SHAFT - FOR 4-SPEED STANDARD SEALS

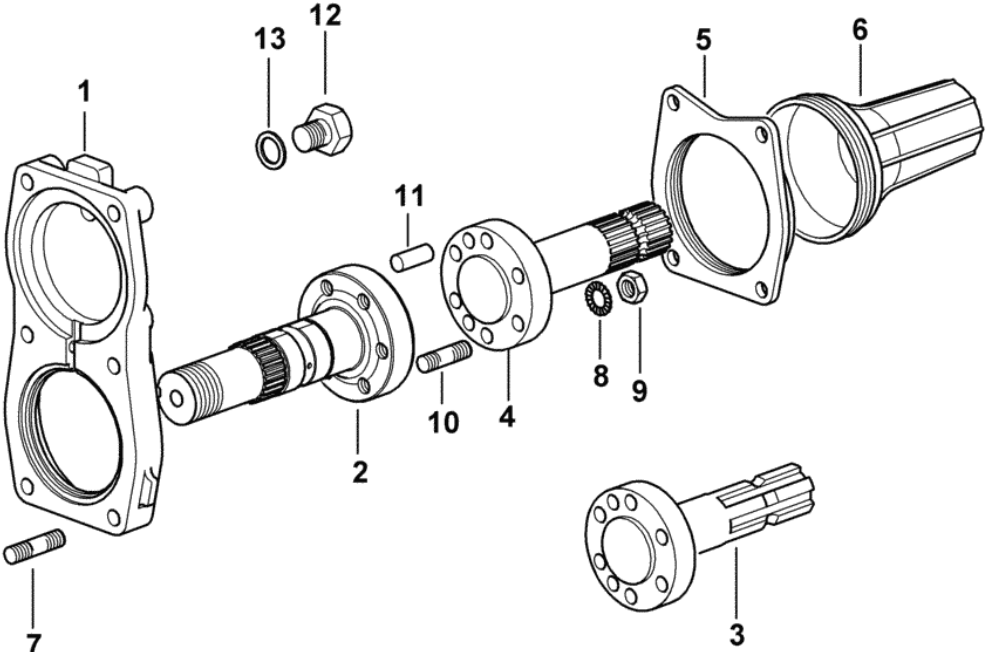
Fig.	Code	QTY	Name
1	0.010.7888.0	1	cover
2	0.007.3475.0/20	1	p.t.o.shaft
3	2.1529.079.0	1	'o' ring 50x68x10
4	0.154.3655.0/10	1	guard
5	2.0432.161.7	6	stud bolt m 10 p.1.5-1.25x40
6	2.1560.010.0	1	gasket 14.2x20
7	2.3110.403.1	1	plug m 14 p.1.5



9_B8636_06_0_0

Section: FRONT AND REAR P.T.O.
PTO - 2-SPEED WITH INSERTED END SHAFT

Fig.	Code	QTY	Name
1	0.009.6901.0	1	cover
2	0.255.3663.0/20	1	shaft P.T.O.
3	0.167.3660.0/30	1	p.t.o.shaft 1" 3/8 z=6
4	0.163.3671.0/40	1	p.t.o.shaft 1" 3/8 z=21
5	0.445.3151.0	1	flange
6	0.008.0757.0	1	guard
7	2.0432.161.7	6	stud bolt m 10 p.1.5-1.25x40
8	2.1470.006.2	6	lock washer 10
9	2.1011.421.2	6	nut M10x1.25
10	2.0432.155.7	6	stud bolt m 10 p.1.5-1.25x25
11	2.1651.811.0	2	cylindrical plug 10x25
12	2.3110.403.1	1	plug m 14 p.1.5
13	2.1560.010.0	1	gasket 14.2x20



9_B8636_11_0_0

EXPLORER 85 T

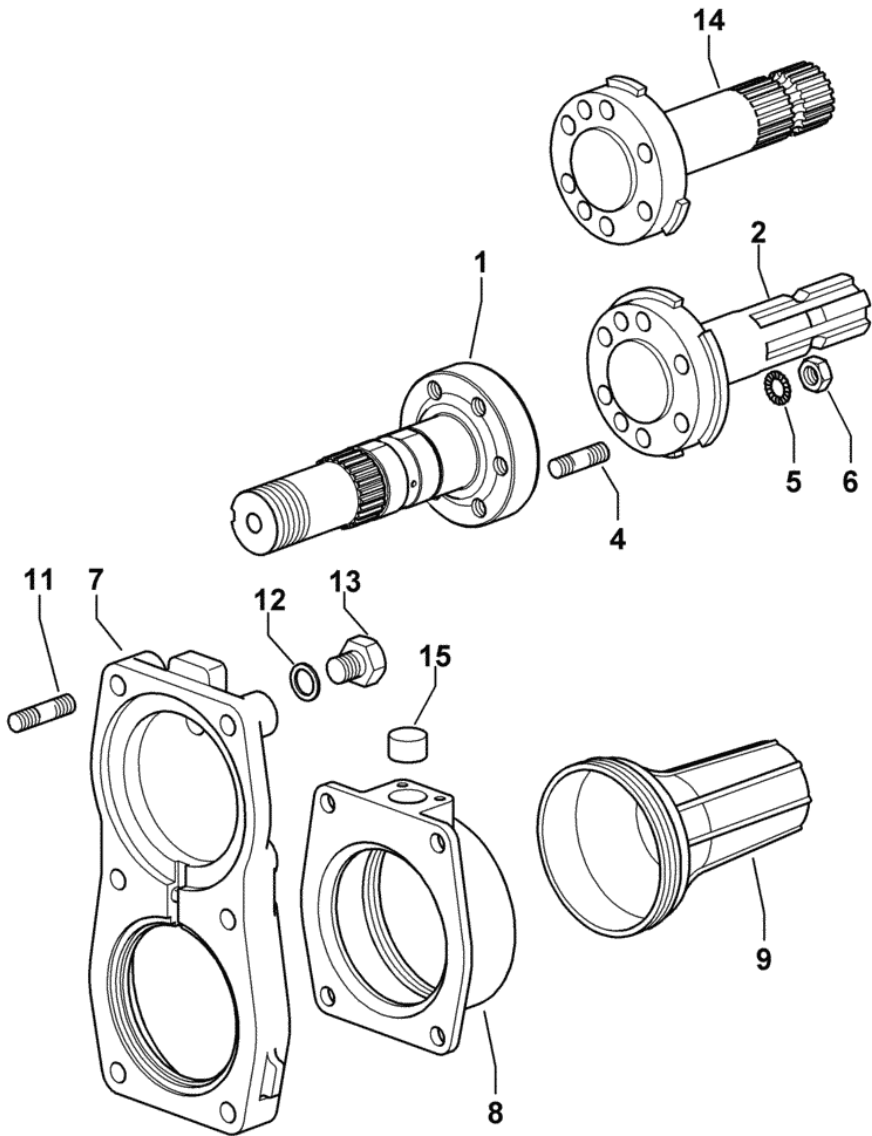
Section: FRONT AND REAR P.T.O.

Ref.: 250

PTO - 2-SPEED WITH INSERTED END SHAFT - EXPORT U.S.A.

9_77836_05_0_0

Fig.	Code	QTY	Name
1	0.255.3663.0/20	1	shaft P.T.O.
2	0.013.0259.0	1	p.t.o.shaft z = 6
4	2.0432.159.7	6	stud bolt m 10 p.1.5-1.25x35
5	2.1470.006.2	6	lock washer 10
6	2.1011.421.2	6	nut M10x1.25
7	0.009.6901.0	1	cover
8	0.011.0795.0	1	flange
9	0.008.0757.0	1	guard
11	2.0432.161.7	6	stud bolt m 10 p.1.5-1.25x40
12	2.1560.010.0	1	gasket 14.2x20
13	2.3110.403.1	1	plug m 14 p.1.5
14	0.013.0258.0	1	p.t.o.shaft z = 21
15	2.3171.008.4	1	plug 20



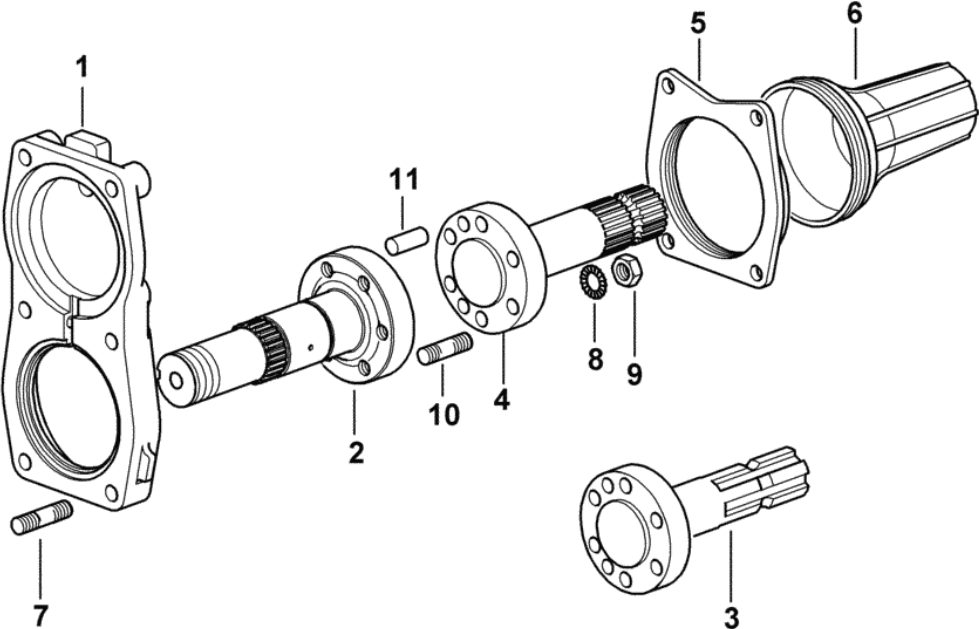
EXPLORER 85 T

Section: FRONT AND REAR P.T.O.

Ref.: 251

P.T.O - 4-SPEED WITH INSERTED END SHAFT

Fig.	Code	QTY	Name
1	0.009.6901.0	1	cover
2	0.007.3474.0/20	1	p.t.o.shaft
3	0.167.3660.0/30	1	p.t.o.shaft 1" 3/8 z=6
4	0.163.3671.0/40	1	p.t.o.shaft 1" 3/8 z=21
5	0.445.3151.0	1	flange
6	0.008.0757.0	1	guard
7	2.0432.161.7	6	stud bolt m 10 p.1.5-1.25x40
8	2.1470.006.2	6	lock washer 10
9	2.1011.421.2	6	nut M10x1.25
10	2.0432.155.7	6	stud bolt m 10 p.1.5-1.25x25
11	2.1651.811.0	2	cylindrical plug 10x25



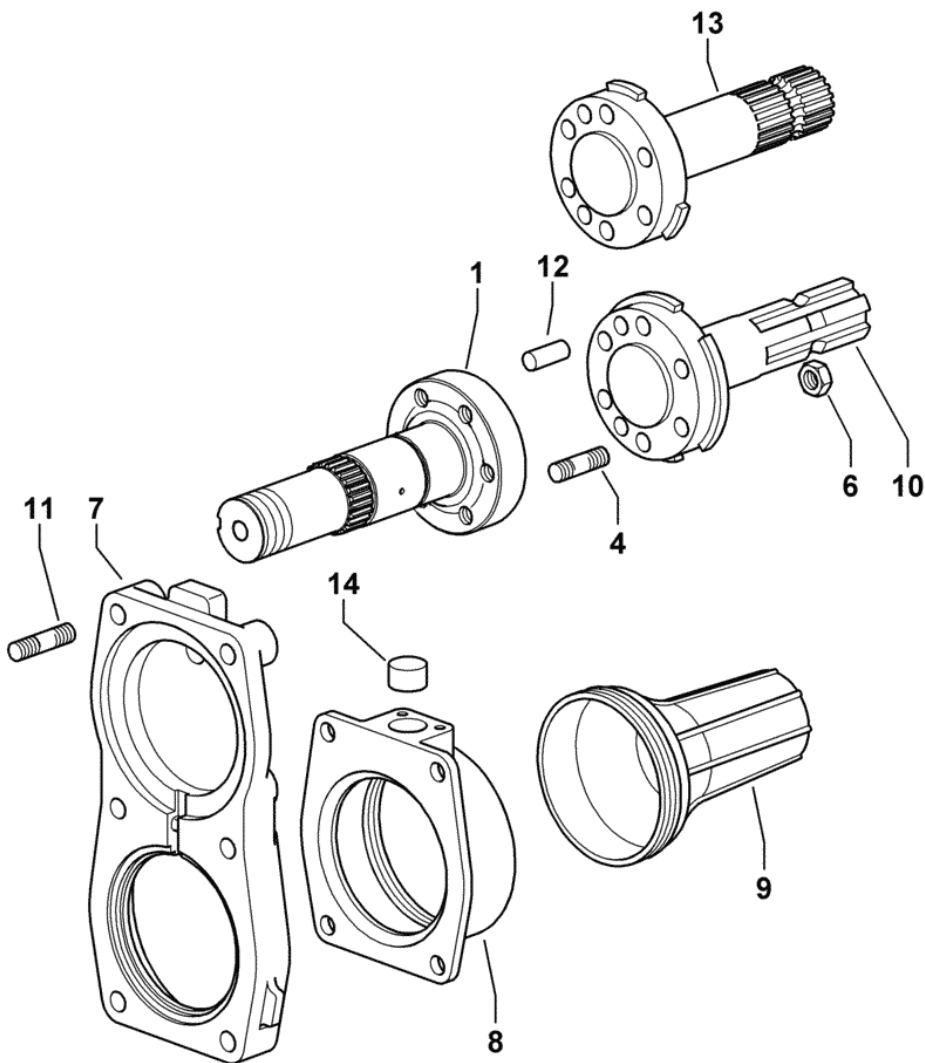
9_B8636_10_0_0

9_77836_01_0_0

EXPLORER 85 T
 Section: FRONT AND REAR P.T.O.
P.T.O - 4-SPEED WITH INSERTED END SHAFT - EXPORT U.S.A.

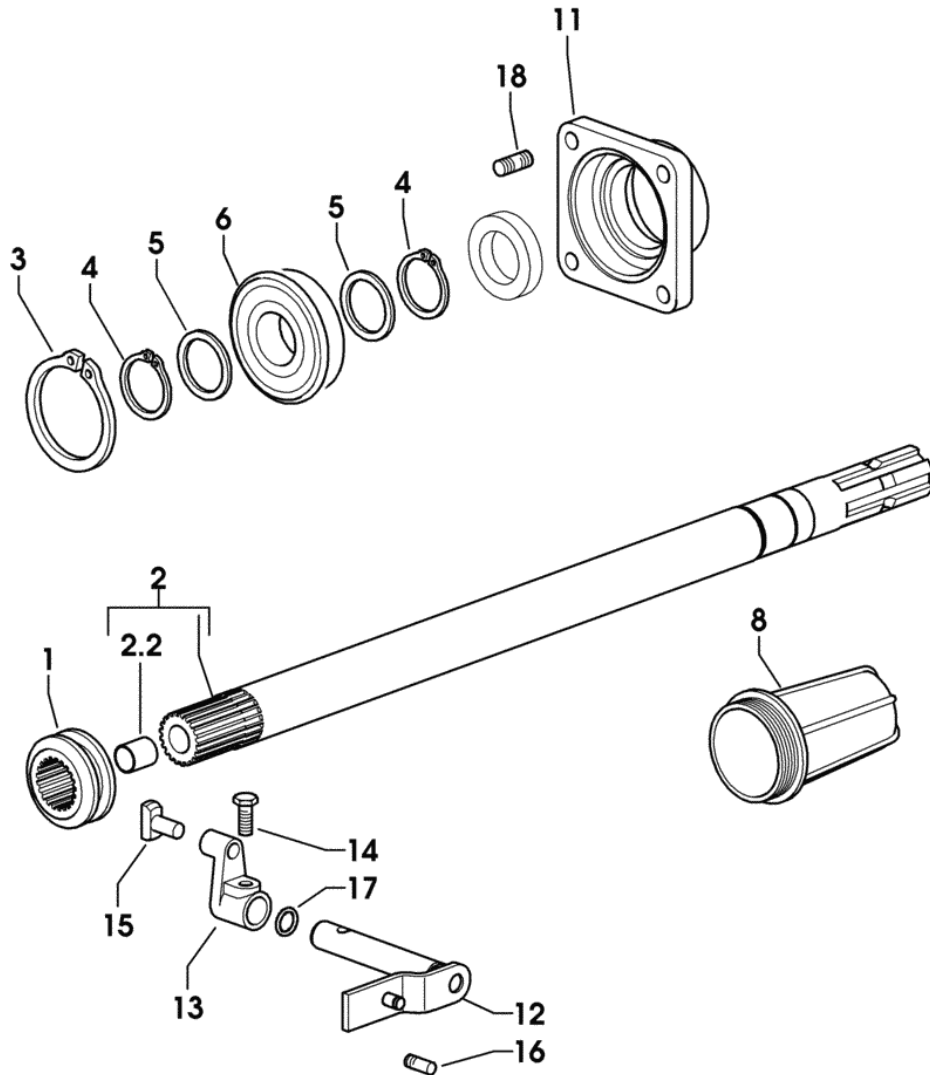
Ref.: 252

Fig.	Code	QTY	Name
1	0.007.3474.0/20	1	p.t.o.shaft
4	2.0432.159.7	6	stud bolt m 10 p.1.5-1.25x35
6	2.1011.421.2	6	nut M10x1.25
7	0.009.6901.0	1	cover
8	0.011.0795.0	1	flange
9	0.008.0757.0	1	guard
10	0.013.0259.0	1	p.t.o.shaft z = 6
11	2.0432.161.7	6	stud bolt m 10 p.1.5-1.25x40
12	2.1651.811.0	2	cylindrical plug 10x25
13	0.013.0258.0	1	p.t.o.shaft z = 21
14	2.3171.008.4	1	plug 20



ROAD P.T.O. SHAFT WATER PROOF

Fig.	Code	QTY	Name
1	0.255.3469.0	1	sleeve
2	0.445.3458.3/30	1	shaft
2.2	2.1559.023.0/10	1	bushing 15.8x19x20
3	2.1411.032.1	1	circlip 80
4	2.1410.014.1	2	circlip 35
5	2.1599.874.0	2	washer 35x45x3
6	2.2060.011.0	1	ball bearing 35x80x21
8	0.154.3655.0/10	1	guard
11	0.255.3150.0/10	1	cover
12	0.255.3468.2/10	1	lever
13	0.255.3470.0	1	lever
14	2.0399.019.1	1	screw m 8 p.1x16
15	0.001.5945.0/10	1	shoe
16	2.0439.002.1	2	stud bolt m 8 p.1.25x20
17	2.1530.033.0	1	'o' ring 13.10x2.62
18	2.0432.155.7	4	stud bolt m 10 p.1.5-1.25x25



9_B8636_12_0_0

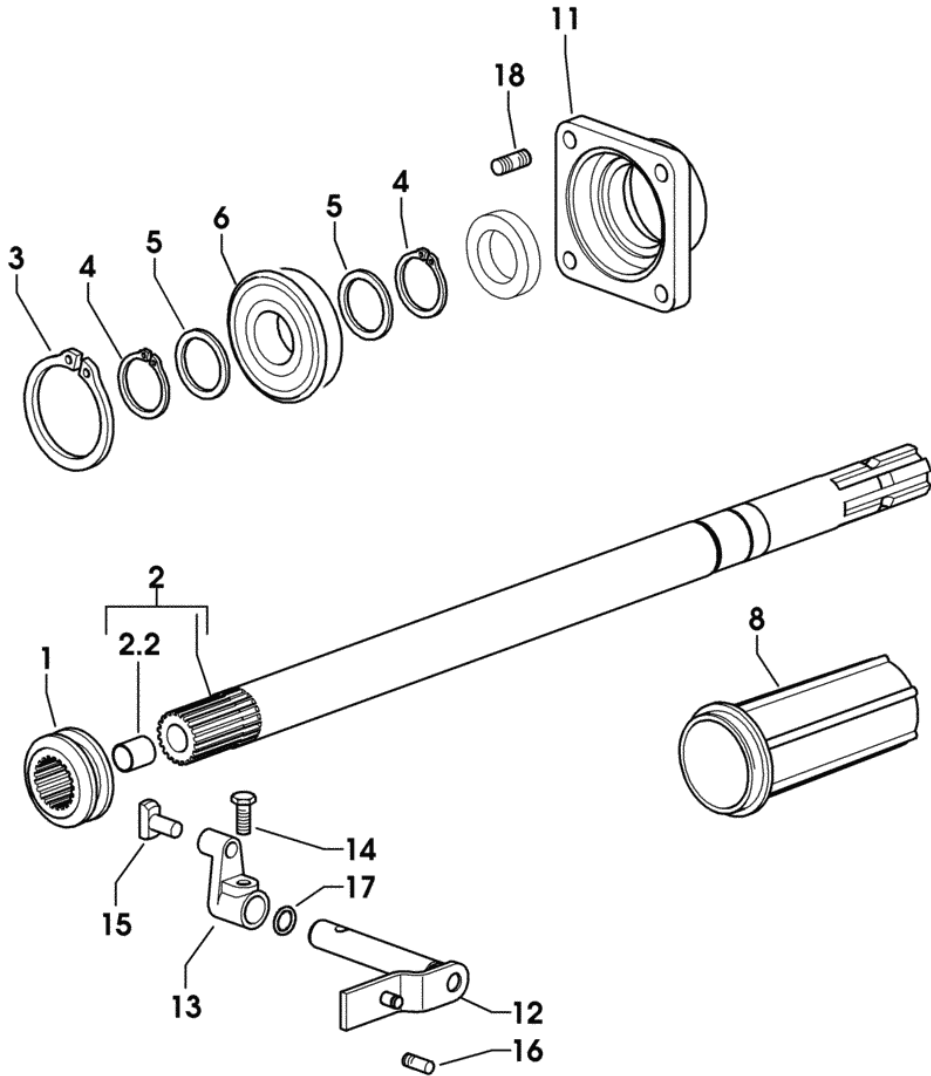
EXPLORER 85 T

Section: FRONT AND REAR P.T.O.

Ref.: 256

P.T.O. - SYNCHRONIZED

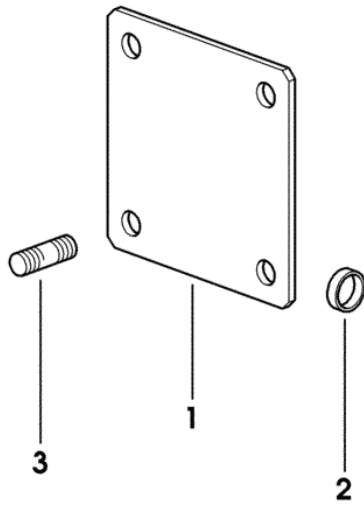
Fig.	Code	QTY	Name
1	0.255.3469.0	1	sleeve
2	0.011.0790.3	1	shaft
2.2	2.1559.023.0/10	1	bushing 15.8x19x20
3	2.1411.032.1	1	circlip 80
4	2.1410.014.1	2	circlip 35
5	2.1599.874.0	2	washer 35x45x3
6	2.2060.011.0	1	ball bearing 35x80x21
8	0.011.0788.0	1	guard
11	0.255.3150.0/10	1	cover
12	0.255.3468.2/10	1	lever
13	0.255.3470.0	1	lever
14	2.0399.019.1	1	screw m 8 p.1x16
15	0.001.5945.0/10	1	shoe
16	2.0439.002.1	2	stud bolt m 8 p.1.25x20
17	2.1530.033.0	1	'o' ring 13.10x2.62
18	2.0432.163.7	4	stud bolt m 10 p.1.5-1.25x45



9_77836_08_0_0

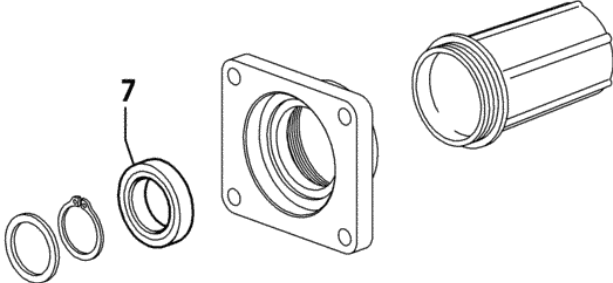
COVER FOR TYPES WITHOUT SYNCHRO PTO

Fig.	Code	QTY	Name
1	0.255.3131.0	1	flange
2	2.3171.007.4	1	plug 18
3	2.0432.155.7	4	stud bolt m 10 p.1.5-1.25x25



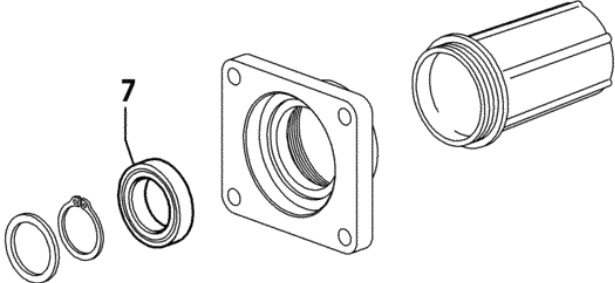
PTO - PARTS SET WITH STANDARD SEALS

Fig.	Code	QTY	Name
7	2.1520.017.0	1	'o' ring 35x55x11



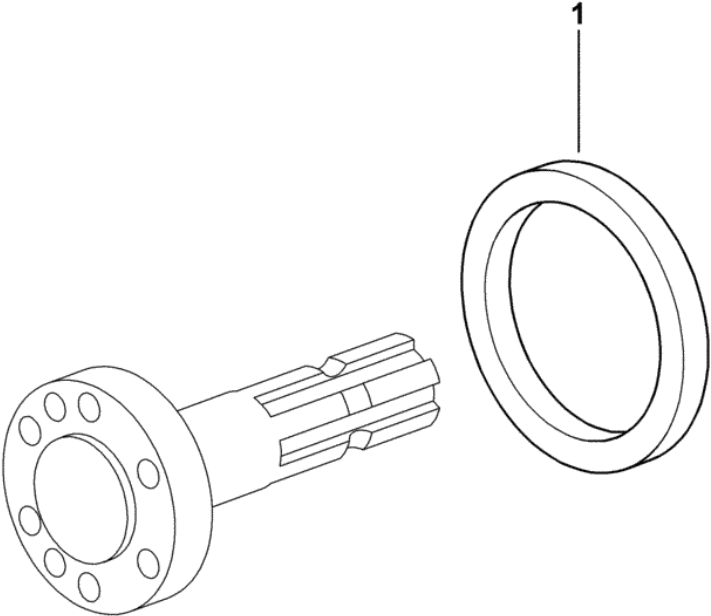
PTO - PARTS SET WITH WATER PROOF SEALS

Fig.	Code	QTY	Name
7	2.1529.107.0	1	'o' ring



PTO - SEAL RING FOR INSERTED END SHAFT - STANDARD VERSION

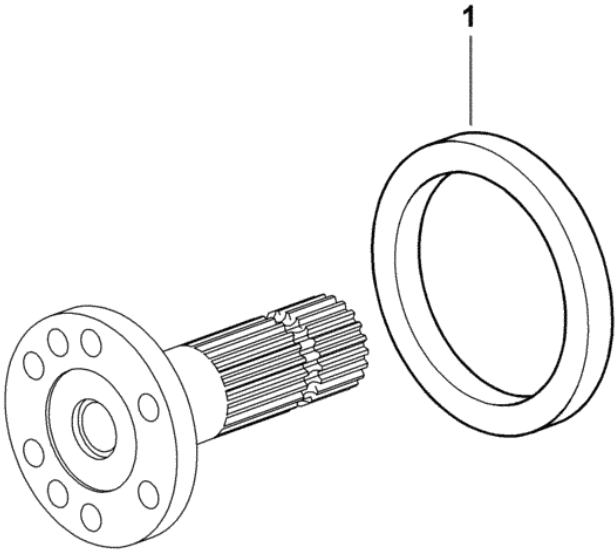
Fig.	Code	QTY	Name
1	2.1520.043.0	1	'o' ring 85x110x12



9_52636_03_0_0

PTO - SEAL RING FOR INSERTED END SHAFT - WATER PROOF VERSION

Fig.	Code	QTY	Name
1	2.1529.120.0	1	'o' ring 85x110x13



9_40536_02_0_0

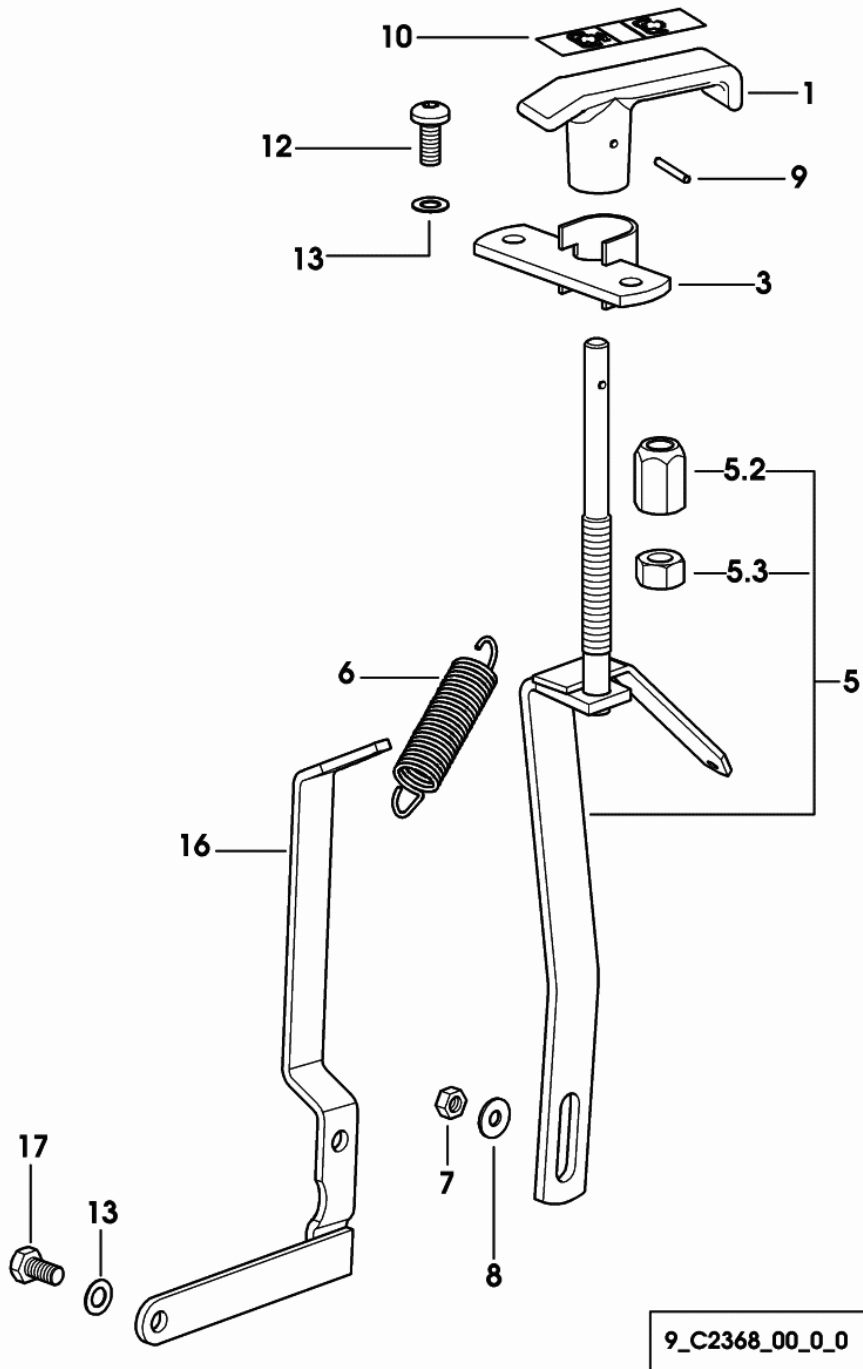
EXPLORER 85 T

Section: FRONT AND REAR P.T.O.

Ref.: 262.1

P.T.O. SHAFT DRIVE

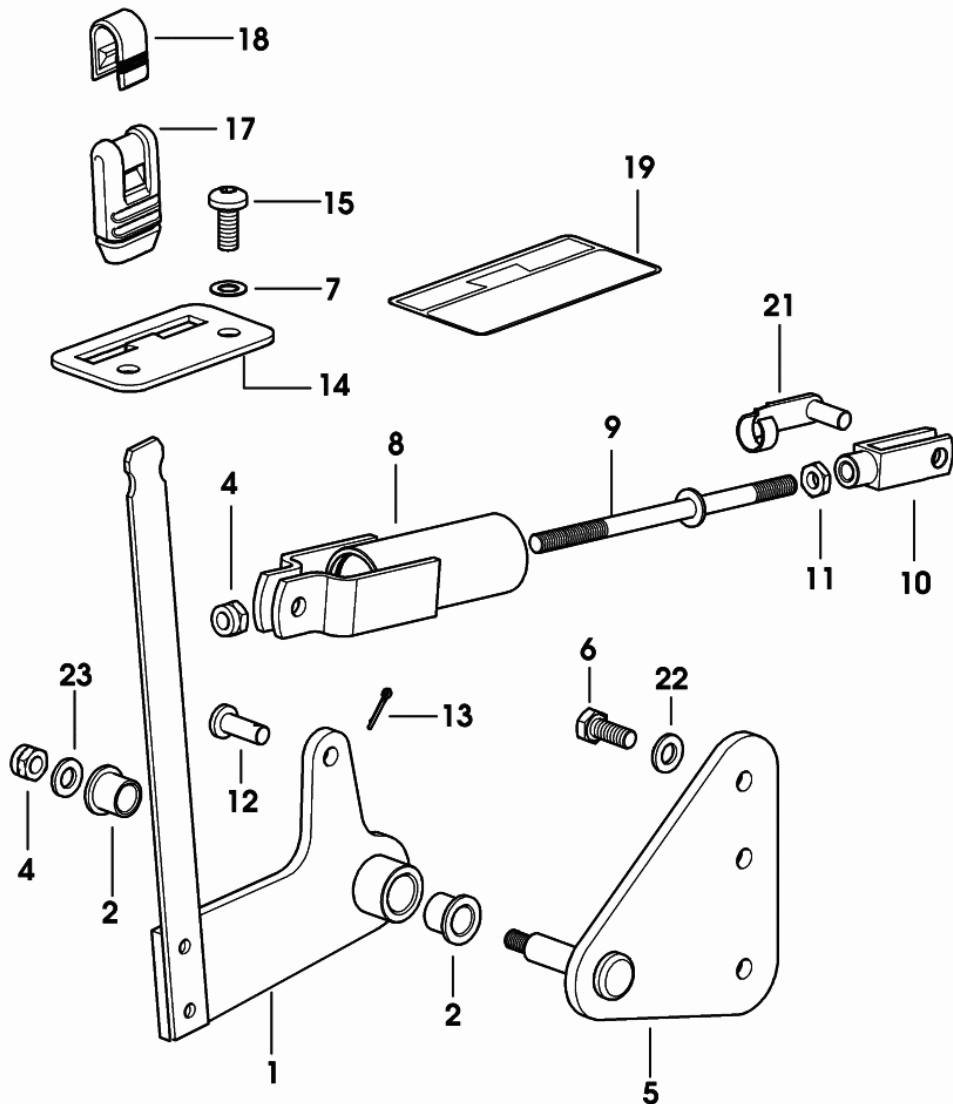
Fig.	Code	QTY	Name
1	0.257.6862.0	1	grip
3	0.008.8237.2	1	support
5	0.014.1929.4/20	1	controller
5.2	2.1099.110.2/10	1	small block
5.3	2.1011.107.2	1	nut m 12 p.1.75
6	2.4049.001.1	1	spring
7	2.1011.105.2	1	nut m 8 p.1.25
8	2.1579.837.2	1	spacer 8x25x3
9	2.1631.211.0	1	roll pin 3x24
10	2.9919.915.0/20	1	plate
12	2.0330.507.2	2	screw m 8x20
13	2.1470.004.2	4	lock washer 8
16	0.014.3321.2	1	bracket
17	2.0112.205.2	2	screw m 8 p.1.25x16



9_C2368_00_0_0

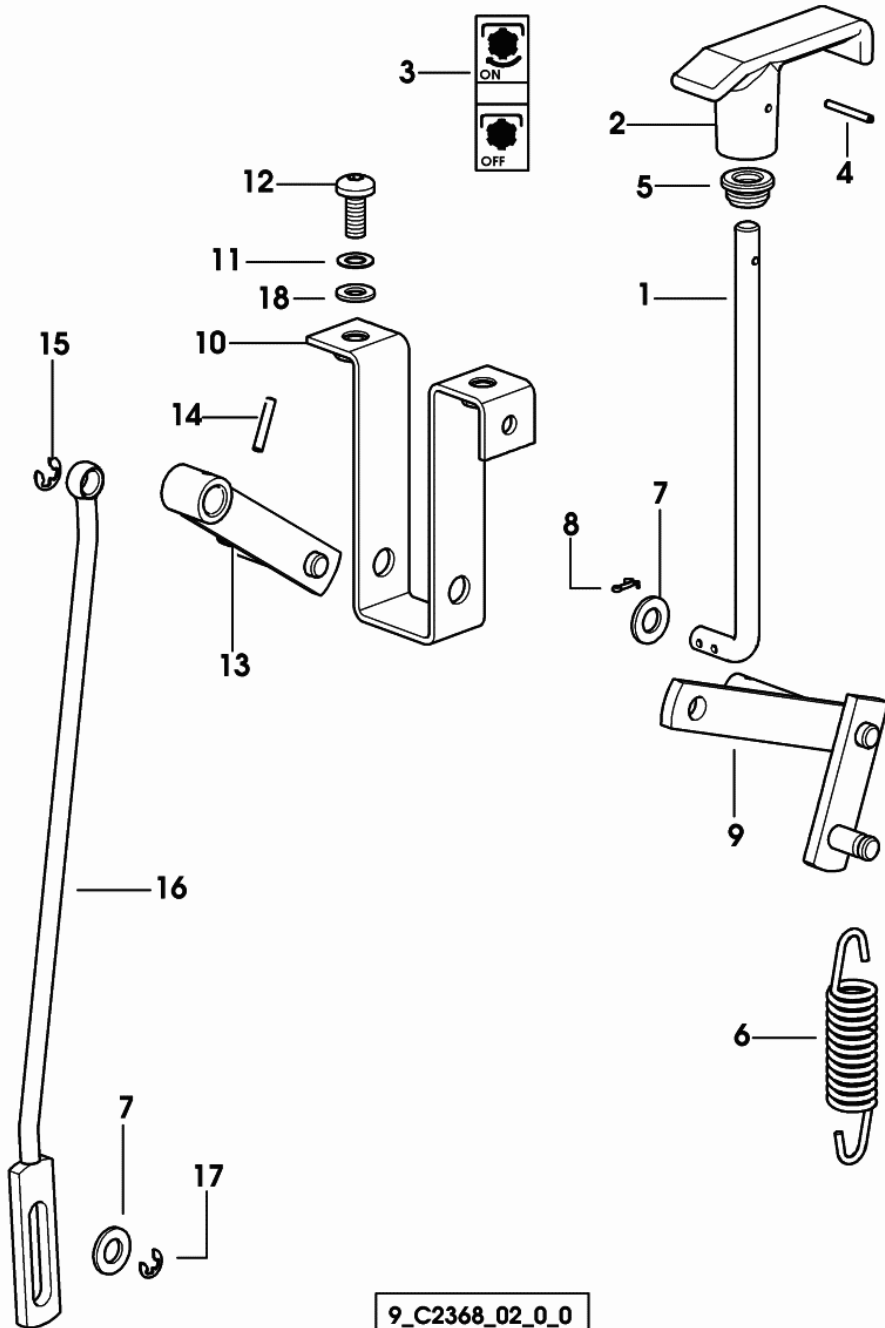
P.T.O. - ECONOMICAL CONTROL

Fig.	Code	QTY	Name
1	0.014.1856.3	1	lever
2	2.1559.243.0	2	bushing 12x16x15
4	2.1120.105.2	2	selflock nut m 8 p.1.25
5	0.014.3229.3	1	bracket
6	2.0114.207.2	2	screw m 8x20
7	2.1470.004.2	2	lock washer 8
8	0.008.3177.4/10	1	shoch.absorber
9	0.014.4174.3	1	rod
10	2.3510.014.2	1	fork
11	2.1011.205.2	1	nut m 8 p.1.25
12	2.1671.305.2	1	pin 8x22
13	2.1690.206.2	1	split pin 2x16
14	0.008.3052.0/10	1	sector
15	2.0330.507.2	2	screw m 8x20
17	0.007.5561.0	1	knob
18	0.008.8383.0	1	coupling
19	0.008.8184.0	1	plate
21	2.1673.007.2	1	small spring
22	2.1475.102.2	2	washer 8.4x16
23	2.1310.004.2	1	flat washer 8.4x16



P.T.O. - SYNCHRONIZED CONTROL

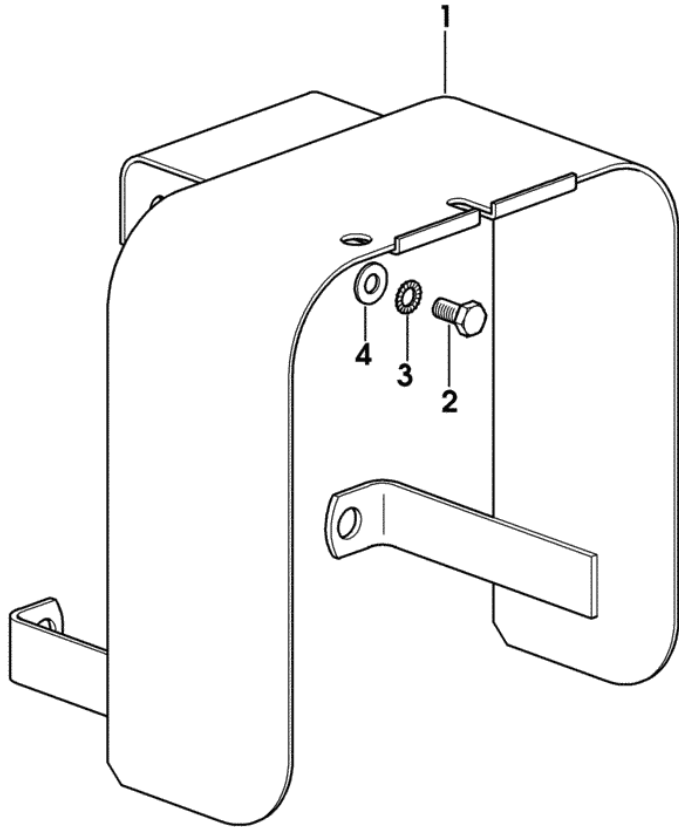
Fig.	Code	QTY	Name
1	0.290.3851.0	1	rod
2	0.257.6862.0	1	grip
3	2.9929.056.0/10	1	plate
4	2.1630.251.9	1	pin
5	0.255.6858.0/10	1	rubber plug 18x5
6	2.4049.139.1/10	1	spring
7	2.1310.006.2	2	flat washer 10.5x20
8	2.1690.207.2	1	split pin 2x18
9	0.290.3840.2/10	1	lever
10	0.290.3850.2	1	support
11	2.1470.004.2	2	lock washer 8
12	2.0330.507.2	2	screw m 8x20
13	0.014.1814.2	1	lever
14	2.1630.410.0	1	roll pin 4x20
15	2.1430.008.7	1	circlip 7
16	0.014.1807.2	1	rod
17	2.1439.003.0	1	circlip 6
18	2.1310.004.2	2	flat washer 8.4x16



9_C2368_02_0_0

P.T.O. SHAFT PROTECTOR REAR

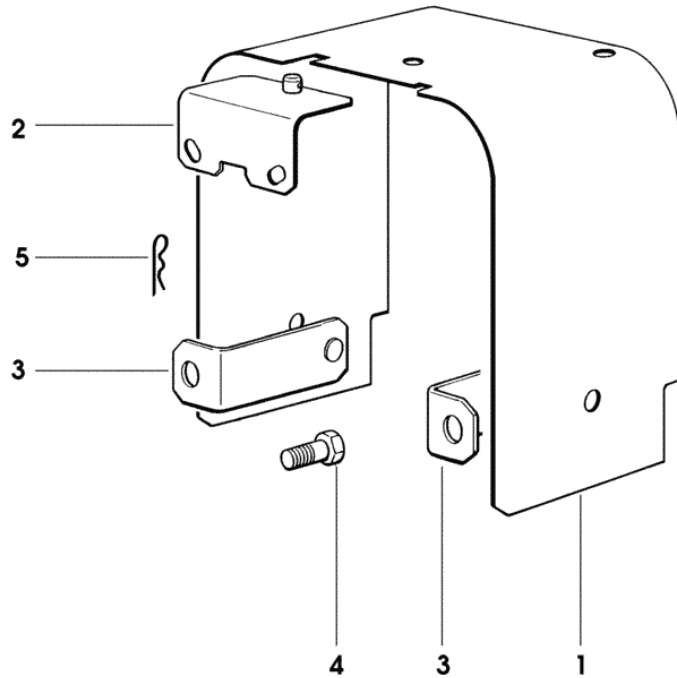
Fig.	Code	QTY	Name
1	0.97915.10.2/30	1	guard
2	2.0112.307.2	2	screw m 10 p.1.5x20
3	2.1470.006.2	2	lock washer 10
4	2.1310.006.2	2	flat washer 10.5x20



9_40536_20_0_0

P.T.O. SHAFT PROTECTOR REAR EXPORT GB

Fig.	Code	QTY	Name
1	0.445.3650.0/50	1	small sump
2	0.255.3668.2/20	1	square
3	0.255.3669.2	2	square
4	2.0112.609.2	2	screw m 16 p.2x25
5	2.1699.180.2	2	pin



EXPLORER 85 T

POWER STEERING - HYDRAULIC SYSTEM

STEERING WHEEL.....	273
STEERING WHEEL CAP.....	274
STEERING COLUMN.....	275
POWER STEERING DANFOSS - 80.....	276
POWER STEERING.....	277
2WD CONTROL PIPES.....	278
PIPES FOR HYDROSTATIC STEERING.....	279
CONNECTING PIPE.....	281
GEARBOX OIL COOLER.....	283
OIL SUCTION.....	286
PUMP FILTER SUCTION 16 cc.....	289
PUMP FILTER SUCTION 22.5 cc.....	290
PUMP FILTER SUCTION.....	292
HYDRAULIC PUMP 11 cc sx.....	294
OIL PUMP 16cc dx.....	296
HYDRAULIC PUMP 22.5 cc - DX.....	297
DELIVERY PIPE 16 cc.....	302
DELIVERY PIPE 22.5 cc.....	303
DELIVERY PIPE 22.5 cc - FOR TRACTORS WITH HYDRAULIK BREAKING FOR TRAILER.....	304
BRACKET.....	305
HYDRAULIC SYSTEM.....	307
HYDRAULIC SYSTEM.....	308
HYDRAULIC SYSTEM SYNCRO POWER.....	310

STEERING WHEEL

Fig.	Code	QTY	Name
1	0.014.3173.2	1	steering wheel
2	2.1470.011.2	1	lock washer 20
3	2.1011.511.2	1	nut m 20 p.1.5

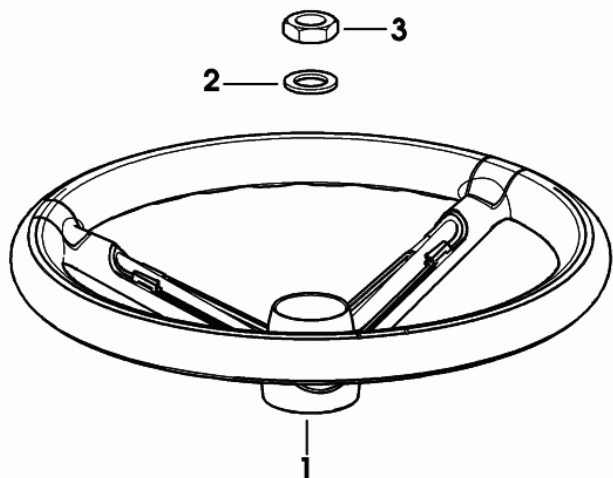
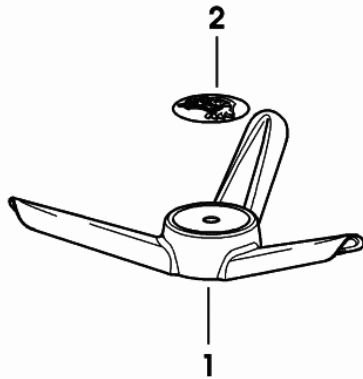


Fig.	Code	QTY	Name
1	0.014.3172.0	1	plug
2	0.013.8051.0/10	1	plate SAME



STEERING COLUMN

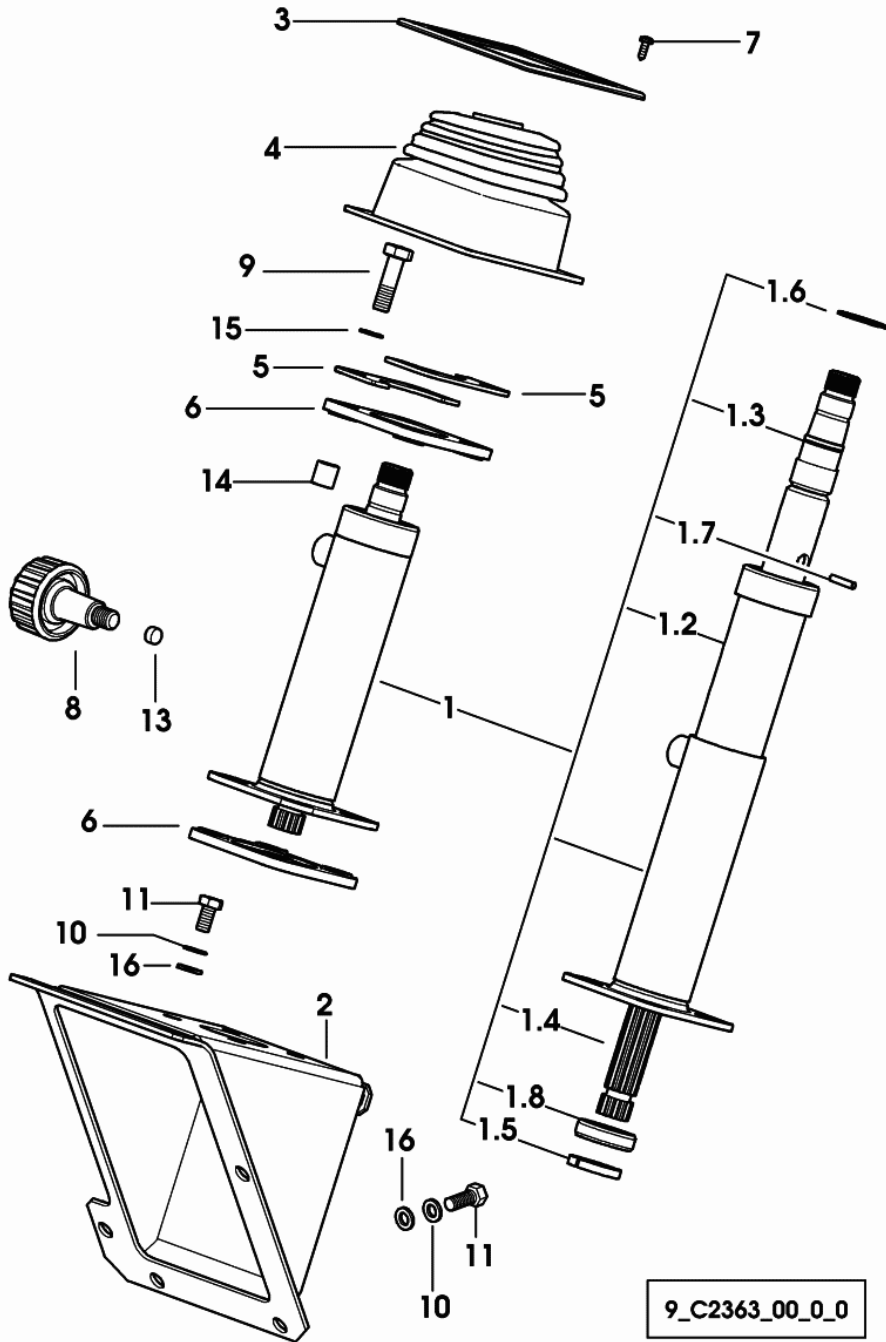
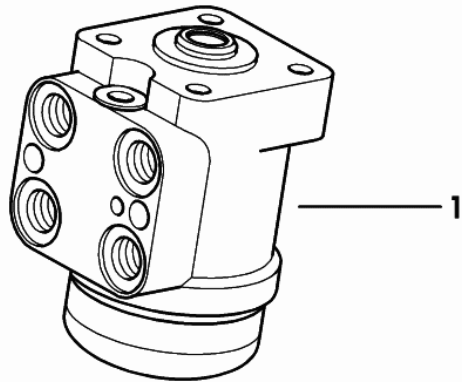


Fig.	Code	QTY	Name
1	0.013.2808.3	1	column
1.2	0.000.0000.1	0	not serviceable
1.3	0.000.0000.1	0	not serviceable
1.4	0.007.3756.0	1	shaft
1.5	2.1599.566.2	2	thrust plate 16.5x34x5
1.6	2.1410.010.7	1	circlip 25
1.7	2.1630.410.0	1	roll pin 4x20
1.8	2.1549.326.0	1	spacer
2	0.013.2039.3/10	1	support
3	0.467.6363.0	1	lamination
4	0.467.6362.0	1	guard
5	0.009.9647.0	1	shim
6	0.009.9625.0	2	gasket
7	2.0399.174.3	4	screw 4.8x16
8	0.012.1930.3	1	knob
9	2.0112.313.2	4	screw m 10 p.1.5x35
10	2.1470.004.2	6	lock washer 8
11	2.0112.205.2	6	screw m 8 p.1.25x16
13	2.1579.883.0	1	spacer 10x5
14	2.1549.205.2	4	spacer 10.5x14x14
15	2.1470.006.2	4	lock washer 10
16	2.1310.004.2	6	flat washer 8.4x16

9_C2363_00_0_0

POWER STEERING DANFOSS - 80

Fig.	Code	QTY	Name
1	0.290.6310.4/10	1	hydrosteering DANFOSS - 80 CC ☞ 601 => 601



9_D1063_02_0_0

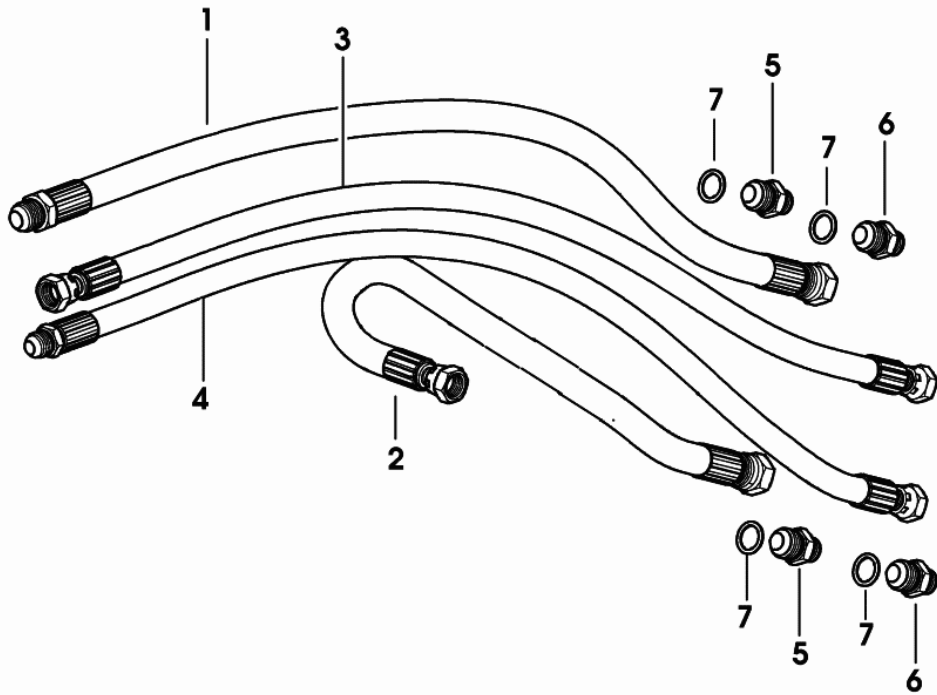
EXPLORER 85 T

Section: POWER STEERING - HYDRAULIC SYSTEM

Ref.: 277

POWER STEERING

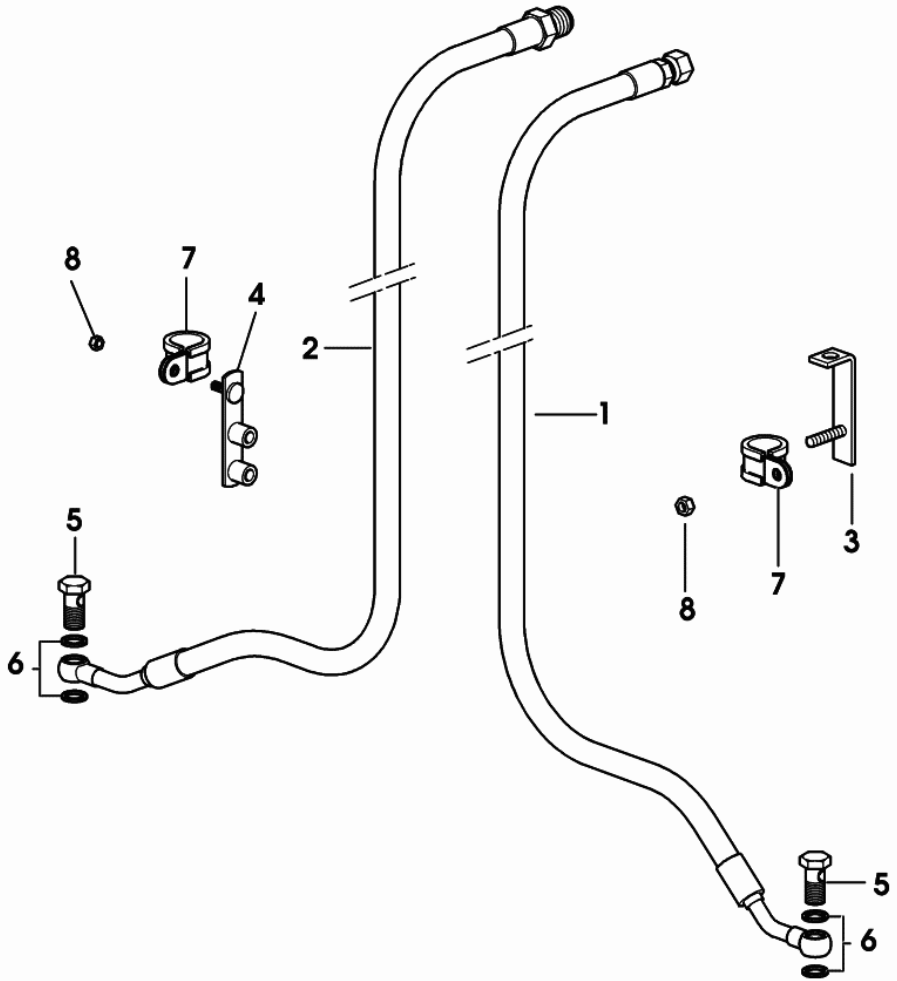
Fig.	Code	QTY	Name
1	0.014.2526.3	1	tube
2	0.014.2527.3	1	tube
3	0.014.2529.3	1	tube
4	0.014.2528.3	1	tube
5	2.3261.010.2	2	pipe fitting M18x1,5 7/8" 14
6	2.3261.009.2	2	pipe fitting m 18 p.1.5-3/4"
7	2.1560.014.0	4	gasket 18.2x24x1.5



9_C2363_01_0_0

2WD CONTROL PIPES

Fig.	Code	QTY	Name
1	0.014.3107.3	1	tube sx
2	0.014.3108.3	1	tube dx
3	0.178.6362.3	1	square
4	0.008.9663.2/10	1	bracket dx
5	2.3335.006.2	2	pipe union m 14 p.1.5
6	2.1560.010.0	4	gasket 14.2x20
7	2.6839.051.0	5	clamp 20/20
8	2.1011.103.2	2	nut m 6 p.1



9_C2363_03_0_0

PIPES FOR HYDROSTATIC STEERING

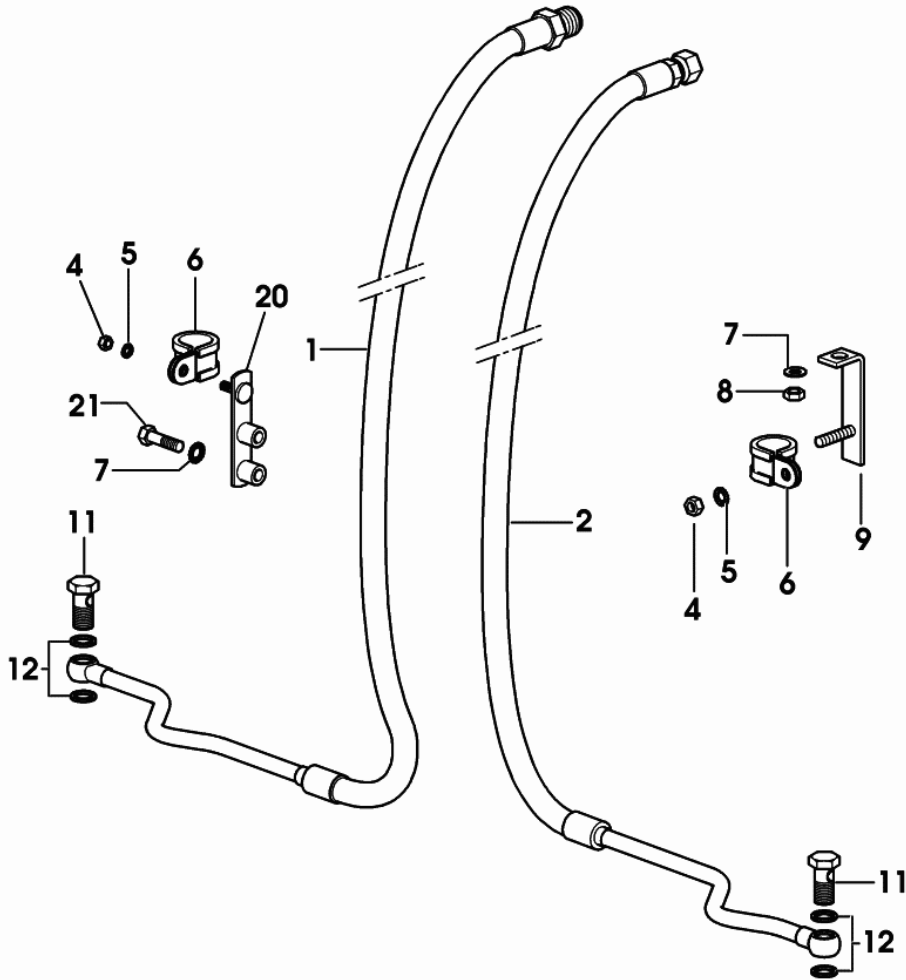
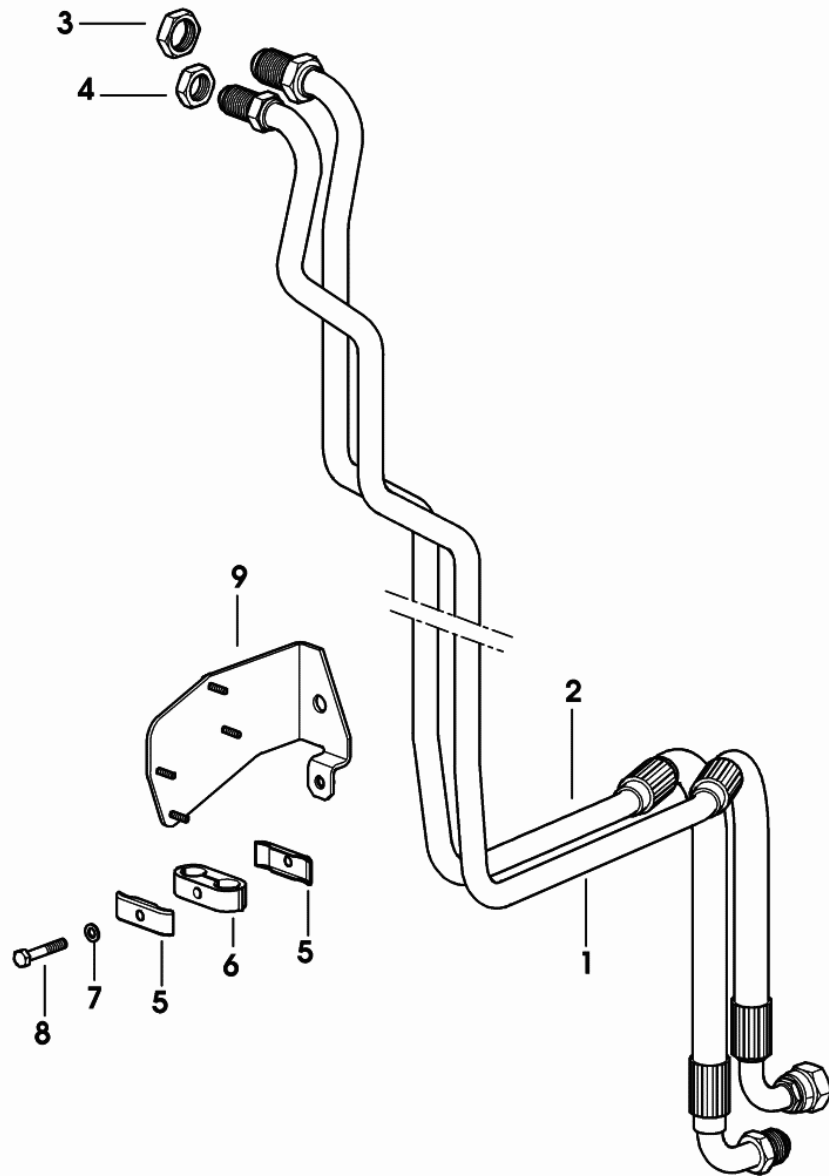


Fig.	Code	QTY	Name
1	0.014.2531.3/10	1	tube dx
2	0.014.2530.3	1	tube sx
4	2.1011.103.2	5	nut m 6 p.1
5	2.1470.002.2	5	lock washer 6
6	2.6839.051.0	5	clamp 20/20
7	2.1470.004.2	3	lock washer 8
8	2.1011.105.2	1	nut m 8 p.1.25
9	0.178.6362.3	1	square
11	2.3339.210.1	2	pipe union m 14
12	2.1560.010.0	4	gasket 14.2x20
20	0.008.9663.2/10	1	bracket dx
21	2.0112.211.2	2	screw m 8 p.1.25x30

9_C2363_02_0_0

CONNECTING PIPE

Fig.	Code	QTY	Name
1	0.014.2284.3/10	1	tube
2	0.014.2283.3/10	1	tube
3	2.1019.161.2	1	nut 7/8
4	2.1019.099.2	1	nut 3/4-16jic
5	0.013.3065.0	2	plate
6	0.013.3070.0	1	stop
7	2.1470.002.2	1	lock washer 6
8	2.0112.013.2	1	screw m 6 p.1x35
9	0.014.3132.3	1	bracket



9_C2382_08_0_0

GEARBOX OIL COOLER

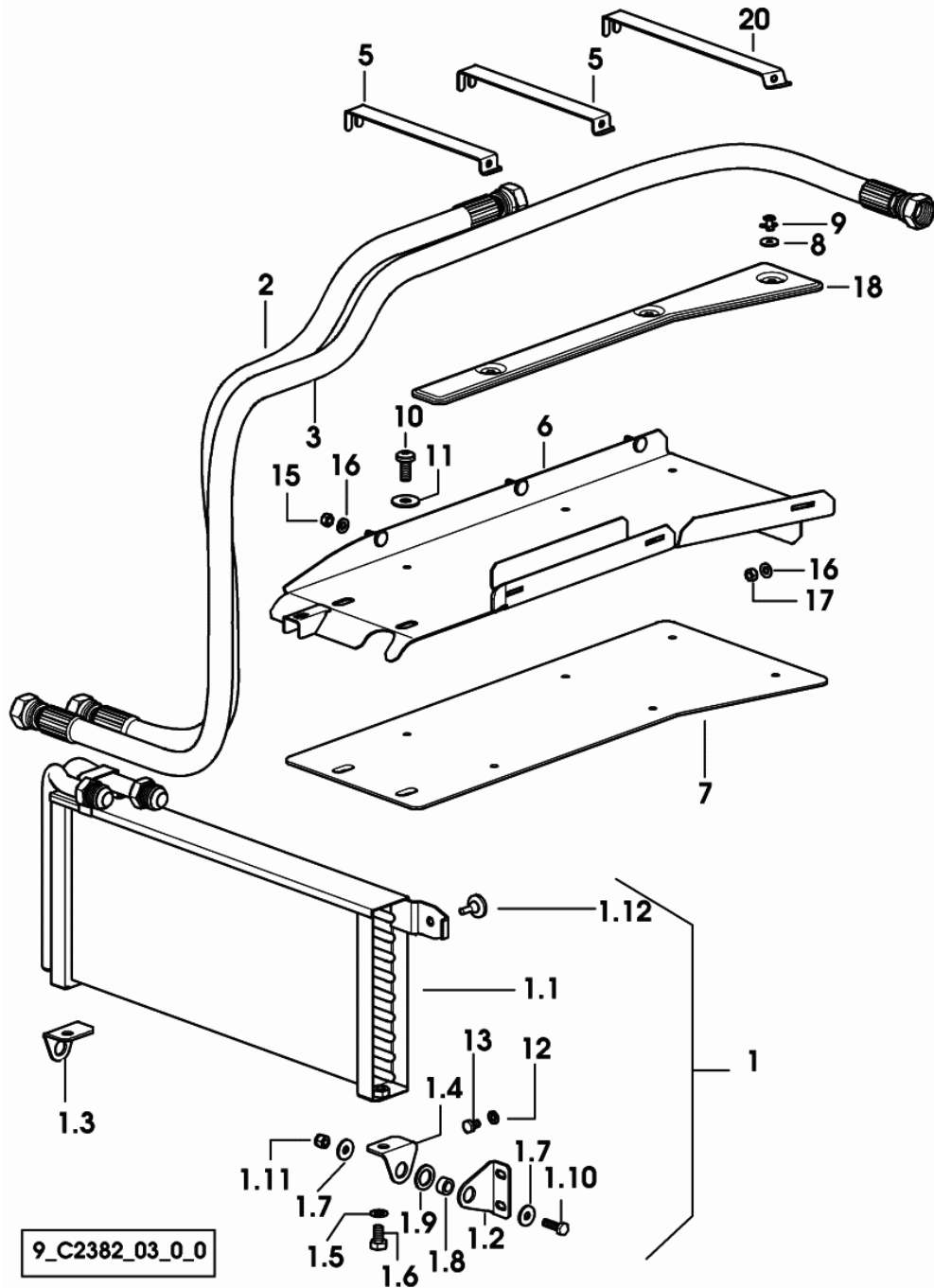


Fig.	Code	QTY	Name
1	0.000.0000.1	0	not serviceable
1.1	0.014.0549.2	1	oil cooler
1.2	0.008.9598.0	2	bracket
1.3	0.008.9599.0	1	bracket dx
1.4	0.008.9600.0	1	bracket sx
1.5	2.1470.004.2	2	lock washer 8
1.6	2.0112.204.2	2	screw m 8 p.1.25x14
1.7	2.1312.003.2	4	washer 6.6x18
1.8	2.1579.994.2	2	spacer 8.5x14x7
1.9	2.1549.169.0	2	spacer 14.5x22x2
1.10	2.0112.007.2	2	screw m 6 p.1x20
1.11	2.1120.003.2	2	selflock nut m 6
1.12	0.467.7693.0	2	block
2	0.014.2525.3	1	tube
3	0.014.2524.3	1	tube
5	0.013.7333.0/20	2	small spring
6	0.013.5232.3/40	1	channel
7	0.013.7179.0/20	1	guard
8	2.1312.002.2	9	washer 5.3x15
9	2.1851.005.0	6	rivet
10	2.0330.507.2	2	screw m 8x20
11	2.1312.004.2	2	washer 9x24
12	2.1470.002.2	4	lock washer 6
13	2.0112.002.2	4	screw m 6 p.1x10
15	2.1011.103.2	2	nut m 6 p.1
16	2.1310.002.2	2	flat washer 6.4x12.5
17	2.1110.004.2	2	wing nut m 6
18	0.014.2560.0	1	guard
20	0.014.3169.0	1	small spring

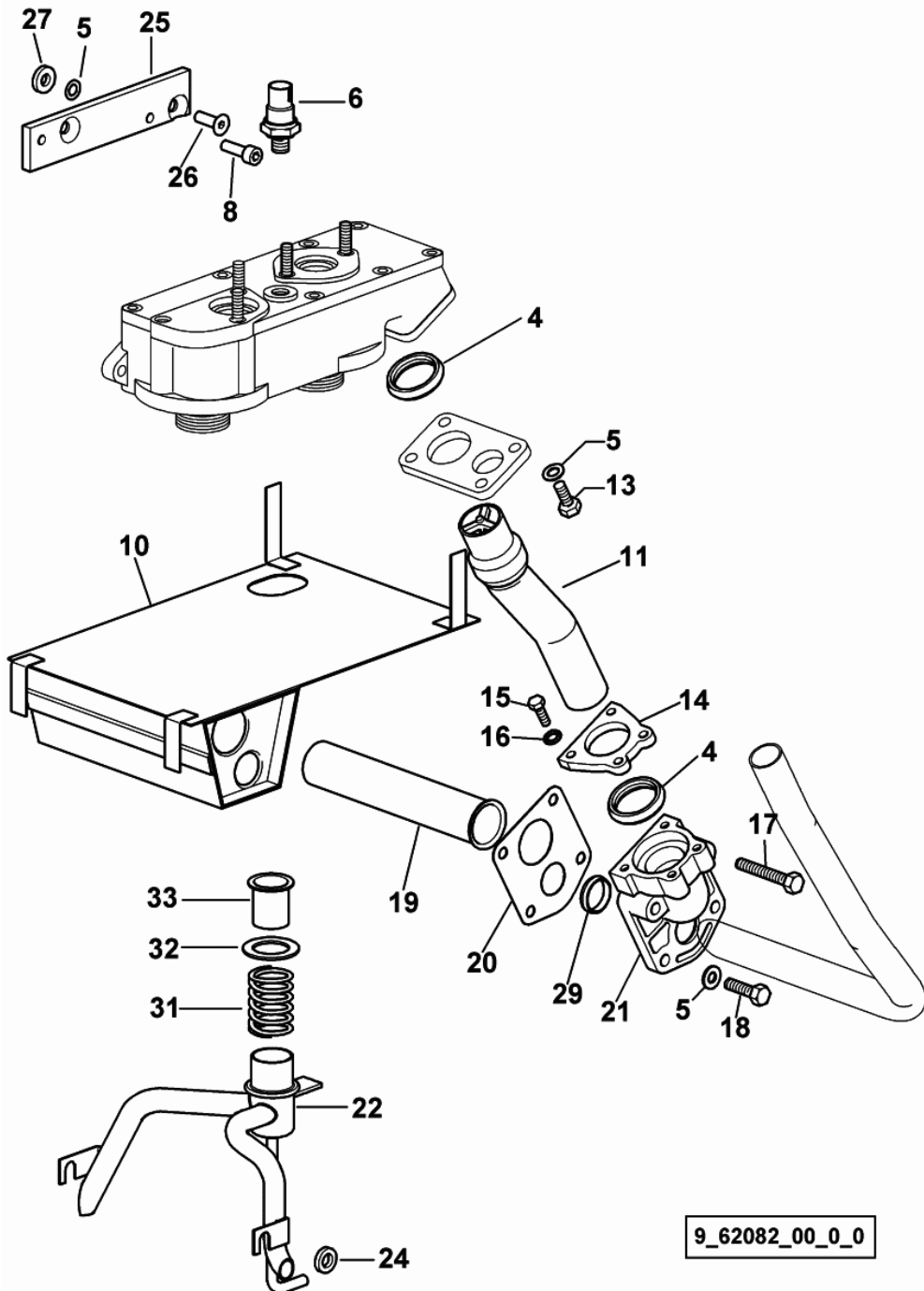
9_C2382_03_0_0

EXPLORER 85 T

Section: POWER STEERING - HYDRAULIC SYSTEM

Ref.: 286

OIL SUCTION

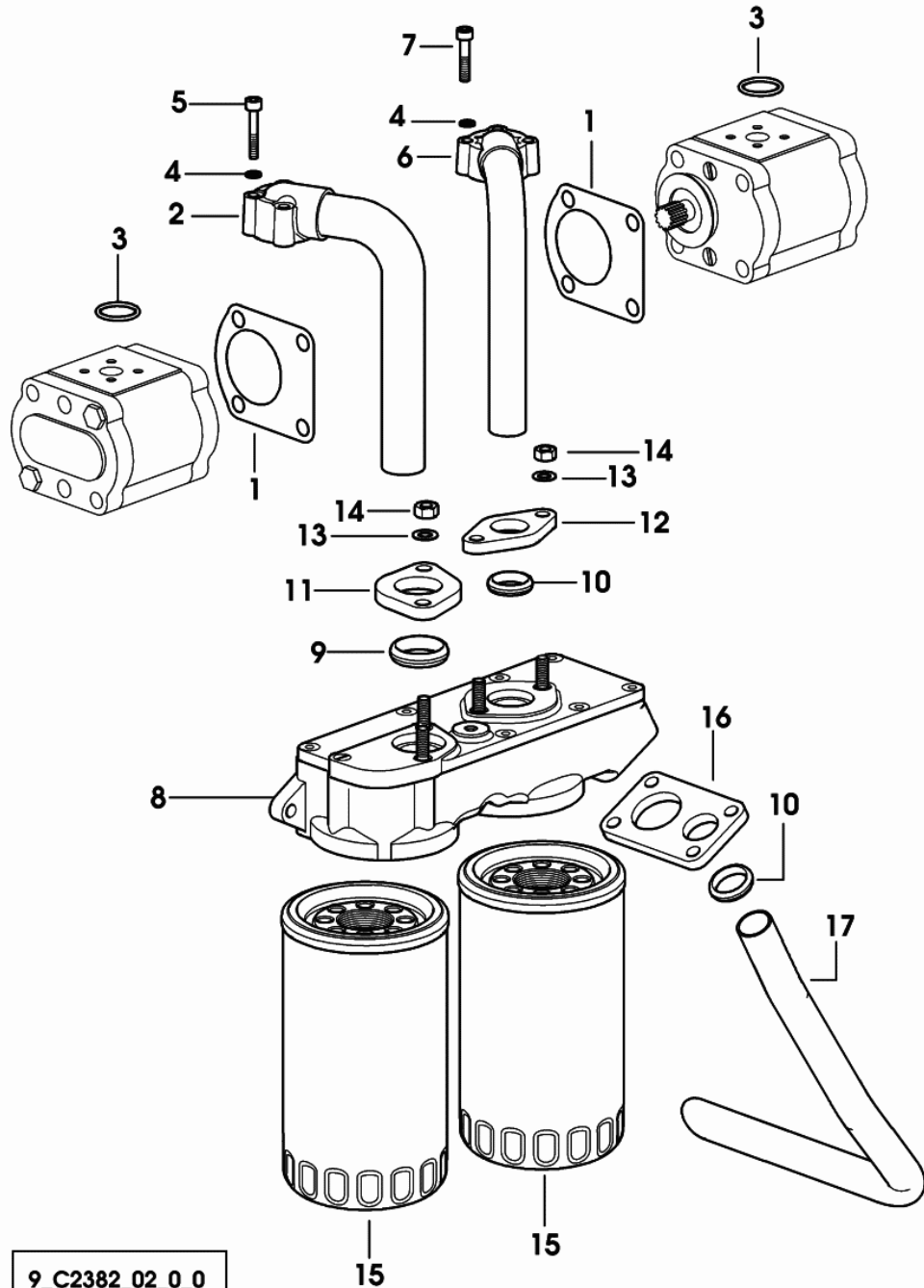


9_62082_00_0_0

Fig.	Code	QTY	Name
4	0.255.8255.0/40	2	gasket
5	2.1481.007.1	6	washer 8
6	2.7099.660.0/10	1	pressure switch 0.5-0.4 BAR
8	2.0312.208.2	2	screw m 8 p.1.25x25
10	0.008.5758.2/20	1	division
11	0.010.1007.4	1	tube
13	2.0112.208.2	4	screw m 8 p.1.25x22
14	0.008.4713.0	1	flange
15	2.0112.007.2	4	screw m 6 p.1x20
16	2.1470.002.2	4	lock washer 6
17	2.0112.217.2	2	screw m 8 p.1.25x45
18	2.0112.209.2	2	screw m 8 p 1.25x25
19	0.255.8260.0	1	tube
20	0.255.8262.0/20	1	gasket
21	0.255.8257.0/20	1	support
22	0.009.6670.2/20	1	tube
			1221 <- X EXPLORER 85 T
			1245 <- X EXPLORER 95 T
			1305 <- X EXPLORER 95 TB
22	0.007.7035.2	1	tube
			-> 1222 X EXPLORER 85T
			-> 1246 X EXPLORER 95T
			-> 1306 X EXPLORER 95TB
24	2.1599.210.0/10	4	spacer 10.5x19x4
25	0.008.4375.0/20	1	plate
26	2.0342.307.6	2	screw m 8 p 1.25x25
27	2.1579.931.0	2	spacer 9x20x4
29	0.255.8253.0/40	1	gasket
31	2.4019.609.1	1	spring 33x38x2.5x40
32	2.1549.231.0	1	spacer 28.5x42x2
33	0.009.6671.0	1	tube

PUMP FILTER SUCTION 16 cc

Fig.	Code	QTY	Name
1	0.9104.250.0/10	2	gasket
2	0.007.6783.3	1	tube
3	2.1531.062.0	2	ring 23.81x2.62
4	2.1480.012.1	6	washer 6
5	2.0312.112.2	3	screw m 6 p.1x35
6	0.007.6784.3	1	tube
7	2.0312.110.2	3	screw m 6 p.1x30
8	0.255.8237.3/40	1	support
9	0.255.8254.0/40	1	gasket
10	0.255.8253.0/40	2	gasket
11	0.255.8235.0/10	1	flange
12	0.255.8236.0	1	flange
13	2.1470.004.2	4	lock washer 8
14	2.1011.105.2	4	nut m 8 p.1.25
15	2.4419.280.0	2	hydr.oil filter elem FT 4948
16	0.255.8239.0	1	flange
17	0.007.6754.0	1	tube



9_C2382_02_0_0

EXPLORER 85 T

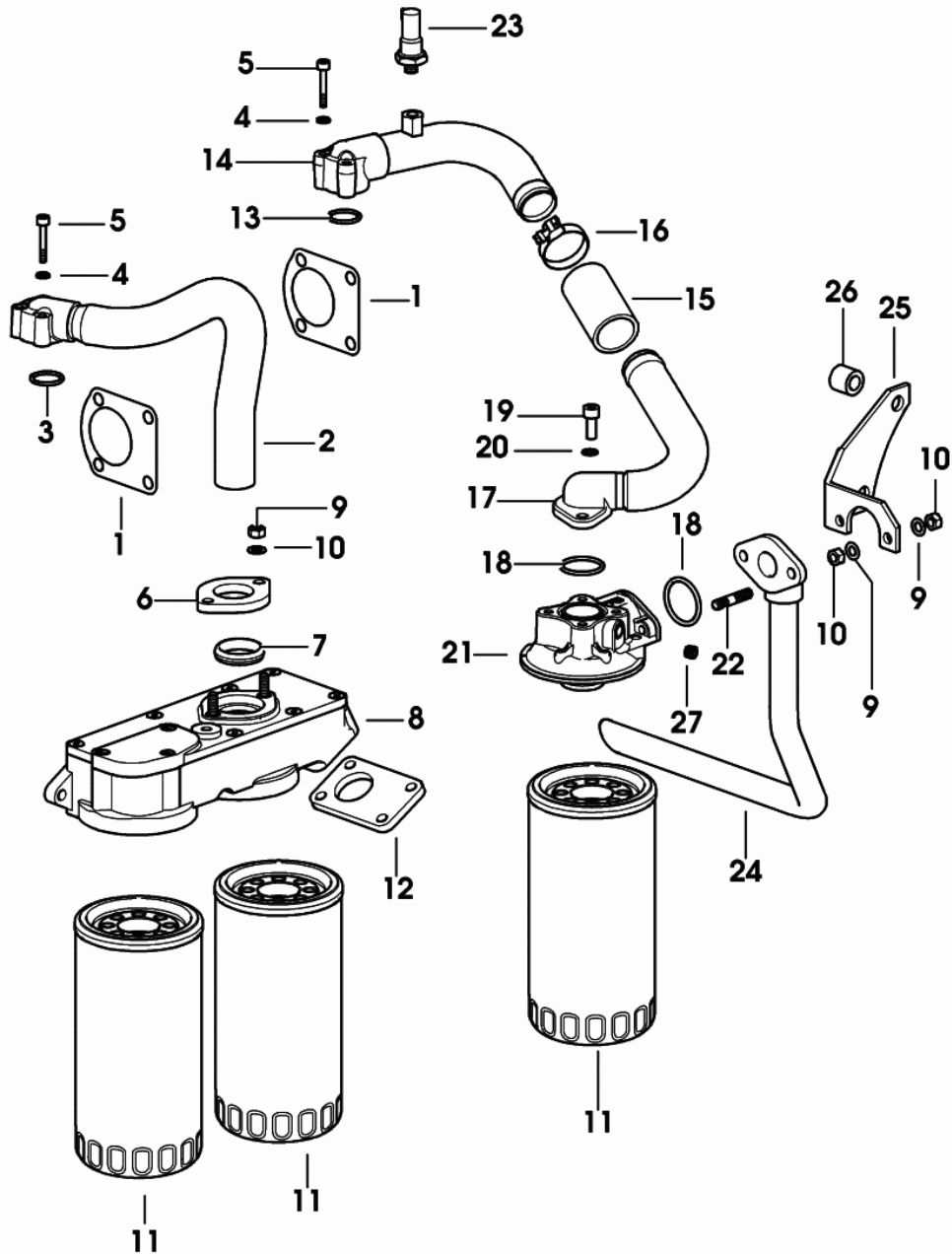
Section: POWER STEERING - HYDRAULIC SYSTEM

Ref.: 290

PUMP FILTER SUCTION 22.5 cc

Fig.	Code	QTY	Name
------	------	-----	------

1	0.9104.250.0/10	2	gasket
2	0.006.6401.3	1	tube
3	2.1531.062.0	1	ring 23.81x2.62
4	2.1480.012.1	6	washer 6
5	2.0312.114.2	6	screw m 6 p.1x40
6	0.9107.253.0	1	flange
7	0.255.8255.0/40	1	gasket
8	0.9107.227.3/20	1	head
9	2.1011.105.2	6	nut m 8 p.1.25
10	2.1470.004.2	6	lock washer 8
11	2.4419.280.0	3	hydr.oil filter elem FT 4948
12	0.9107.254.0	1	flange
13	2.1531.058.0	1	'o' ring 22.22x2.62
14	0.014.1973.3	1	tube
15	2.3213.234.0	1	sleeve mm 34x70
16	2.6851.004.0	2	clamp 32-50
17	0.014.1972.3	1	tube
18	2.1531.091.0	2	'o' ring 34.60x2.62
19	2.0312.206.2	2	screw m 8 p.1.25x20
20	2.1480.014.1	2	washer 8
21	2.4419.350.1/40	1	head
22	2.0422.207.2	2	stud bolt m 8x30
23	2.7099.660.0/10	1	pressure switch 0.5-0.4 BAR
24	0.008.5918.3/10	1	tube
25	0.008.9608.0	1	bracket
26	2.1549.319.2	2	spacer 12.1x22x20
27	2.3139.007.1	1	plug



9_C2382_04_0_0

PUMP FILTER SUCTION

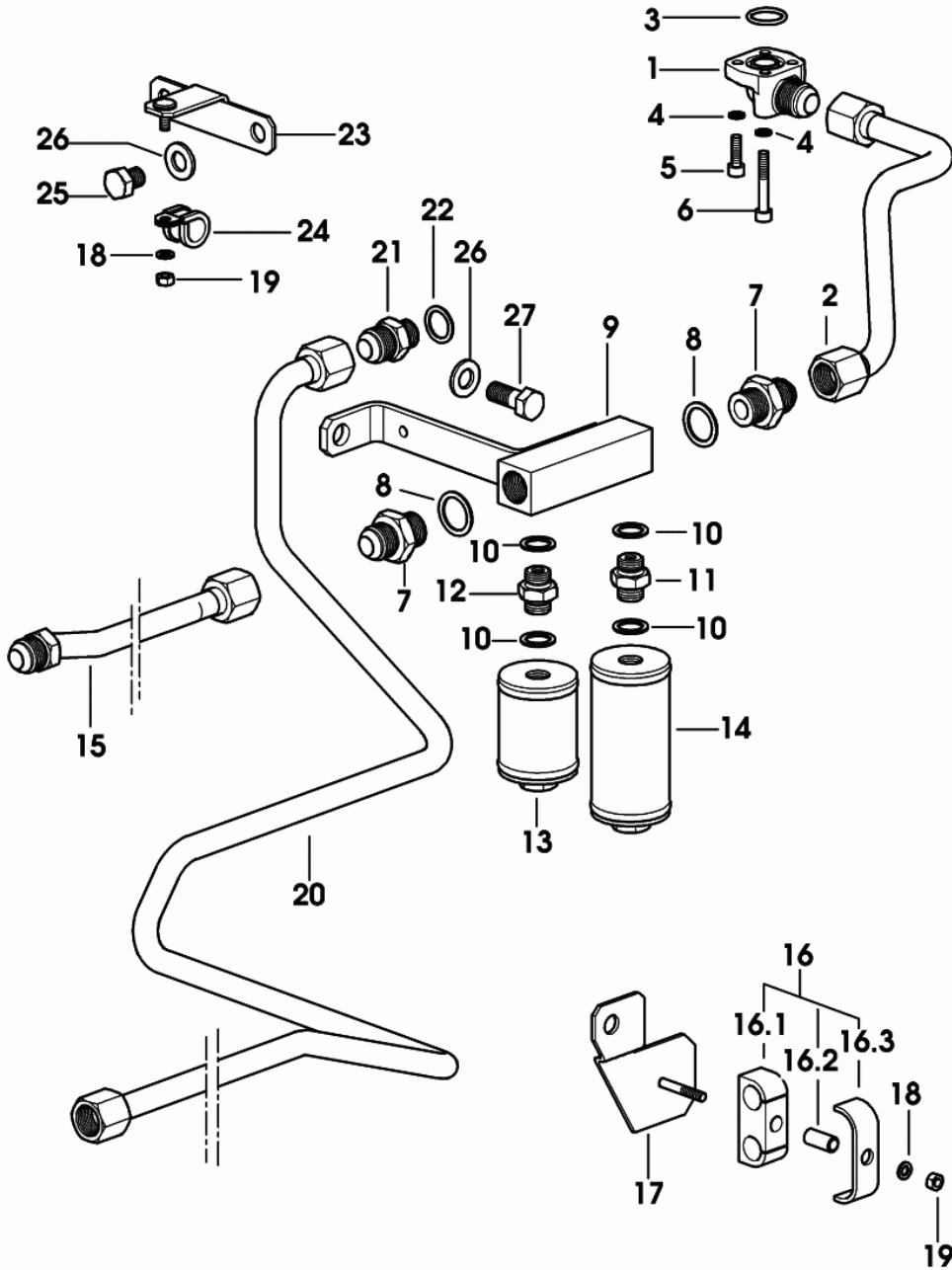
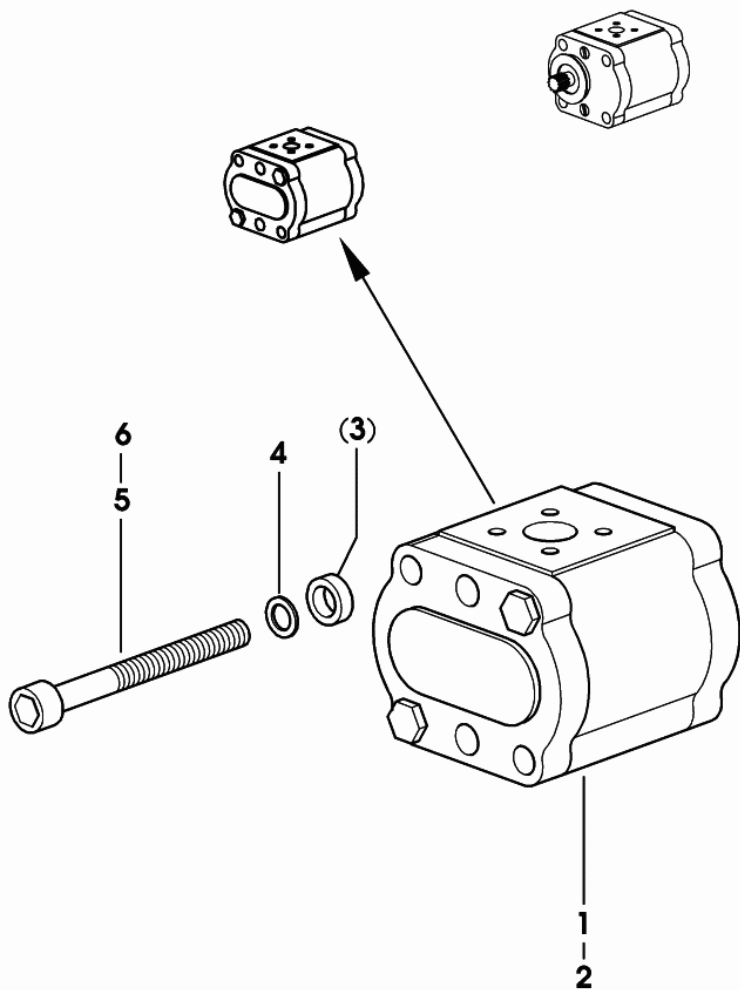


Fig.	Code	QTY	Name
1	0.008.9626.0	1	pipe fitting
2	0.014.2094.3	1	tube
3	2.1531.052.0	1	'o' ring 20.29x2.62
4	2.1480.012.2	4	washer 6
5	2.0312.106.2	2	screw m 6 p.1x20
6	2.0312.114.2	2	screw m 6 p.1x40
7	2.3261.012.2	2	pipe fitting m 22 p.1.5-7/8"
8	2.1560.018.0	2	gasket 22.2x29
9	0.014.2093.3	1	body
10	2.1560.012.0	4	gasket 16.2x22
11	0.299.6358.0/10	1	pipe fitting M 16/M 16
12	0.299.6359.0	1	pipe fitting M 16/M 16
13	0.299.6352.3/10	1	vibration damper 64 cc
14	0.299.6353.3/10	1	vibration damper 118 cc
15	0.014.2095.3	1	tube
16	0.014.0494.4	1	terminal
16.1	0.014.0494.0	1	terminal
16.2	2.1549.591.2	1	spacer
16.3	0.014.0496.0	1	small cover
17	0.014.2103.3	1	bracket
18	2.1470.002.2	2	lock washer 6
19	2.1011.103.2	2	nut m 6 p.1
20	0.014.2092.3/10	1	tube
21	2.3261.010.2	1	pipe fitting M18x1,5 7/8" 14
22	2.1560.014.0	1	gasket 18.2x24x1.5
23	0.014.1992.3	1	bracket
24	2.6839.066.0/10	1	clamp 16
25	2.0112.404.2	2	screw m 12 p.1.75x14
26	2.1310.007.2	3	flat washer 13x24
27	2.0112.411.2	1	screw m 12 p.1.75x30

HYDRAULIC PUMP 11 cc sx

Fig.	Code	QTY	Name
1	2.4529.950.0	1	hydraulic pump - BOSCH - ☞ 604 => 604
2	2.4529.960.0	0	hydraulic pump - SAUER - ☞ 605 => 605
4	2.1474.010.2	2	spring washer 10
5	2.0312.326.2	1	screw m 10 p.1.5x100
6	2.0312.327.2	1	screw m 10 p.1.5x110



9_70582_01_0_0

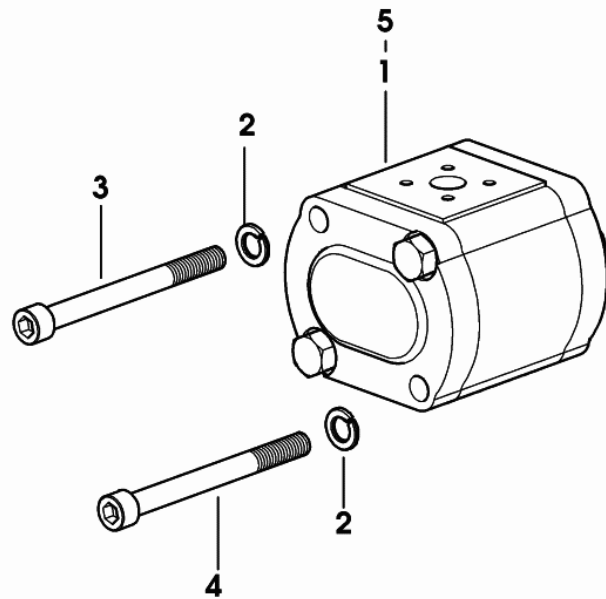
EXPLORER 85 T

Section: POWER STEERING - HYDRAULIC SYSTEM

Ref.: 296

OIL PUMP 16cc dx

Fig.	Code	QTY	Name
1	2.4539.560.0	1	hydraulic pump - BOSCH - ☞ 608 => 608
2	2.1480.015.2	2	washer 10
3	2.0312.327.2	1	screw m 10 p.1.5x110
4	2.0312.328.2	1	screw m 10 p.1.5x120
5	2.4539.570.0	0	pump - SAUER - ☞ 609 => 609



9_C1282_04_0_0

HYDRAULIC PUMP 22.5 cc - DX

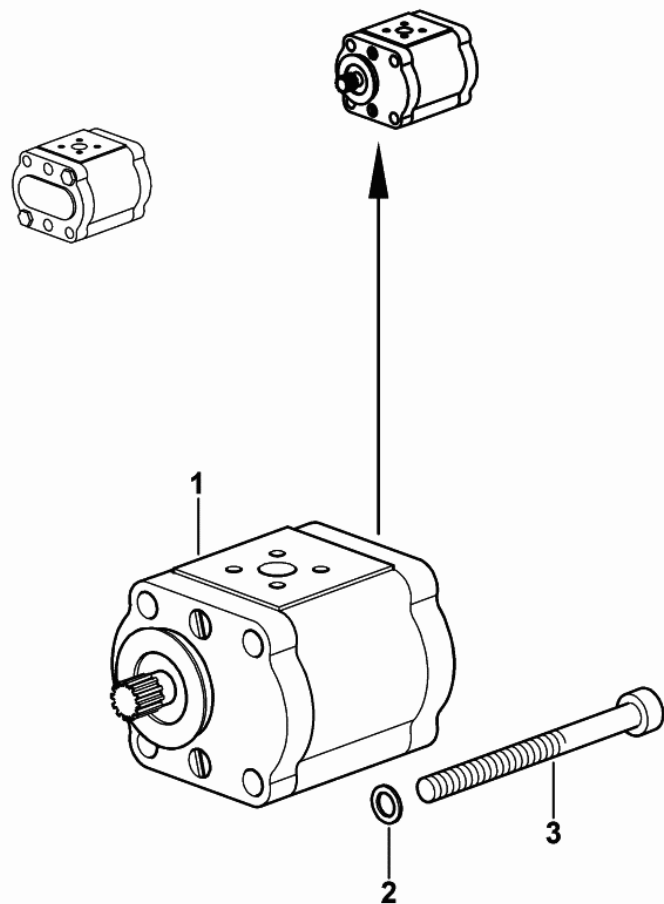
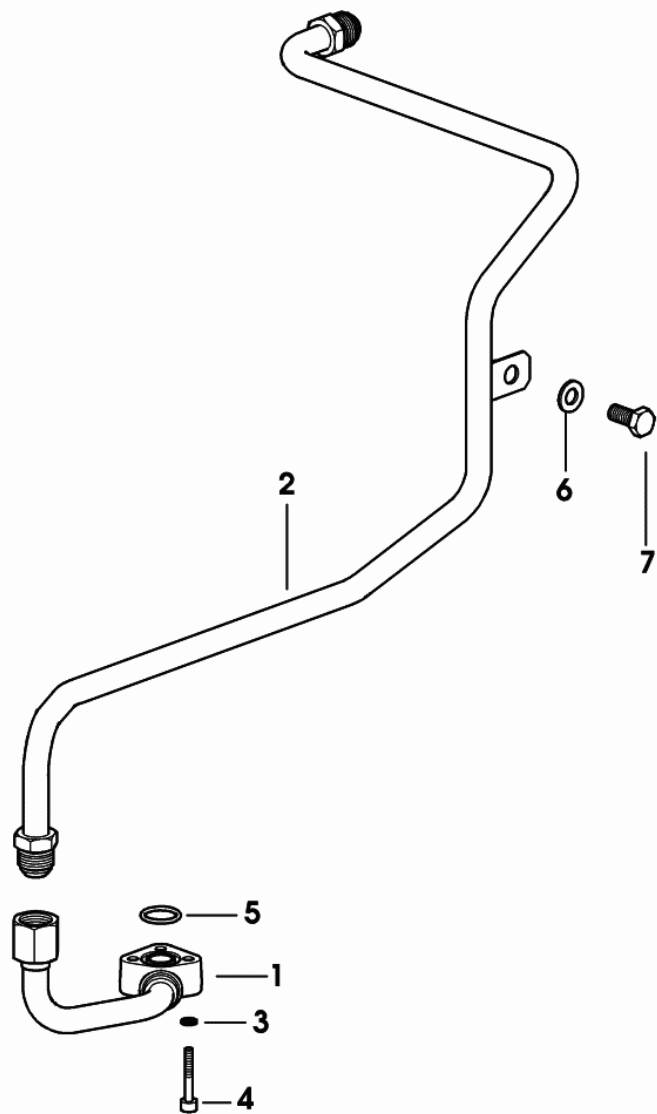


Fig.	Code	QTY	Name
1	2.4539.620.0	1	pump 22.5 cc - BOSCH ☞ 610 => 610
2	2.1480.015.2	2	washer 10
3	2.0169.019.2	2	screw m 10x135

DELIVERY PIPE 16 cc

Fig.	Code	QTY	Name
1	0.014.2775.3	1	tube
2	0.014.2640.3	1	tube
3	2.1480.012.2	3	washer 6
4	2.0312.112.2	3	screw m 6 p.1x35
5	2.1531.052.0	1	'o' ring 20.29x2.62
6	2.1310.006.2	1	flat washer 10.5x20
7	2.0112.308.2	1	screw m 10 p.1.5x22



9_C2382_42_0_0

EXPLORER 85 T

Section: POWER STEERING - HYDRAULIC SYSTEM

Ref.: 303

DELIVERY PIPE 22.5 cc

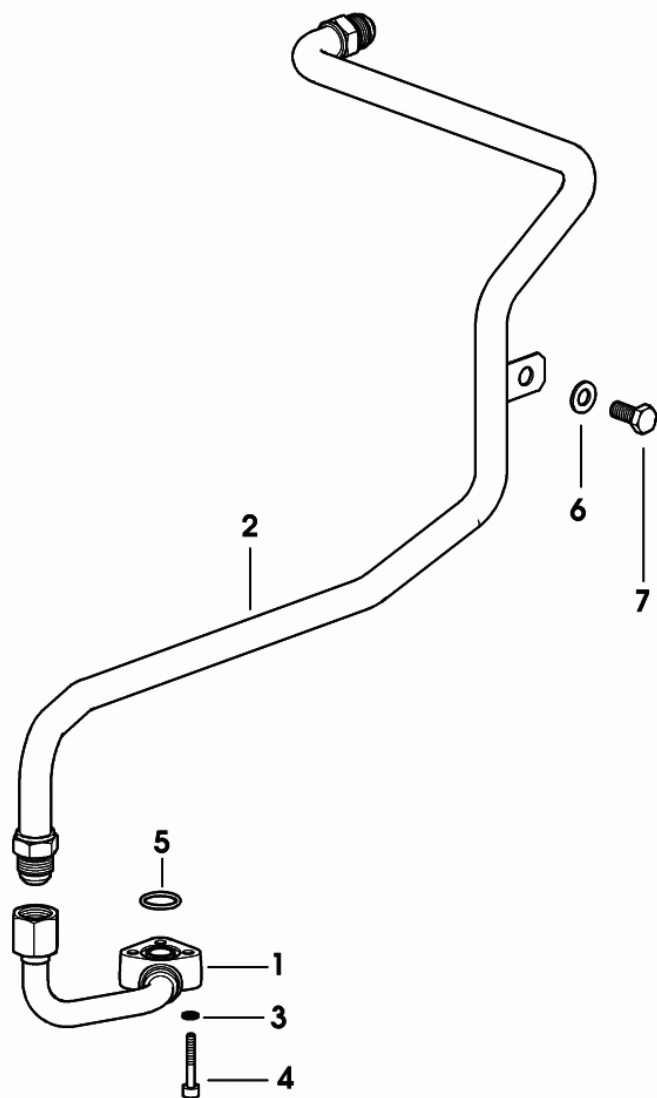


Fig.	Code	QTY	Name
1	0.014.2775.3	1	tube
2	0.014.2641.3	1	tube
3	2.1480.012.2	3	washer 6
4	2.0312.112.2	3	screw m 6 p.1x35
5	2.1531.052.0	1	'o' ring 20.29x2.62
6	2.1310.006.2	1	flat washer 10.5x20
7	2.0112.308.2	1	screw m 10 p.1.5x22

9_C2382_44_0_0

EXPLORER 85 T

Section: POWER STEERING - HYDRAULIC SYSTEM

Ref.: 304

DELIVERY PIPE 22.5 cc - FOR TRACTORS WITH HYDRAULIK BREAKING FOR TRAILER

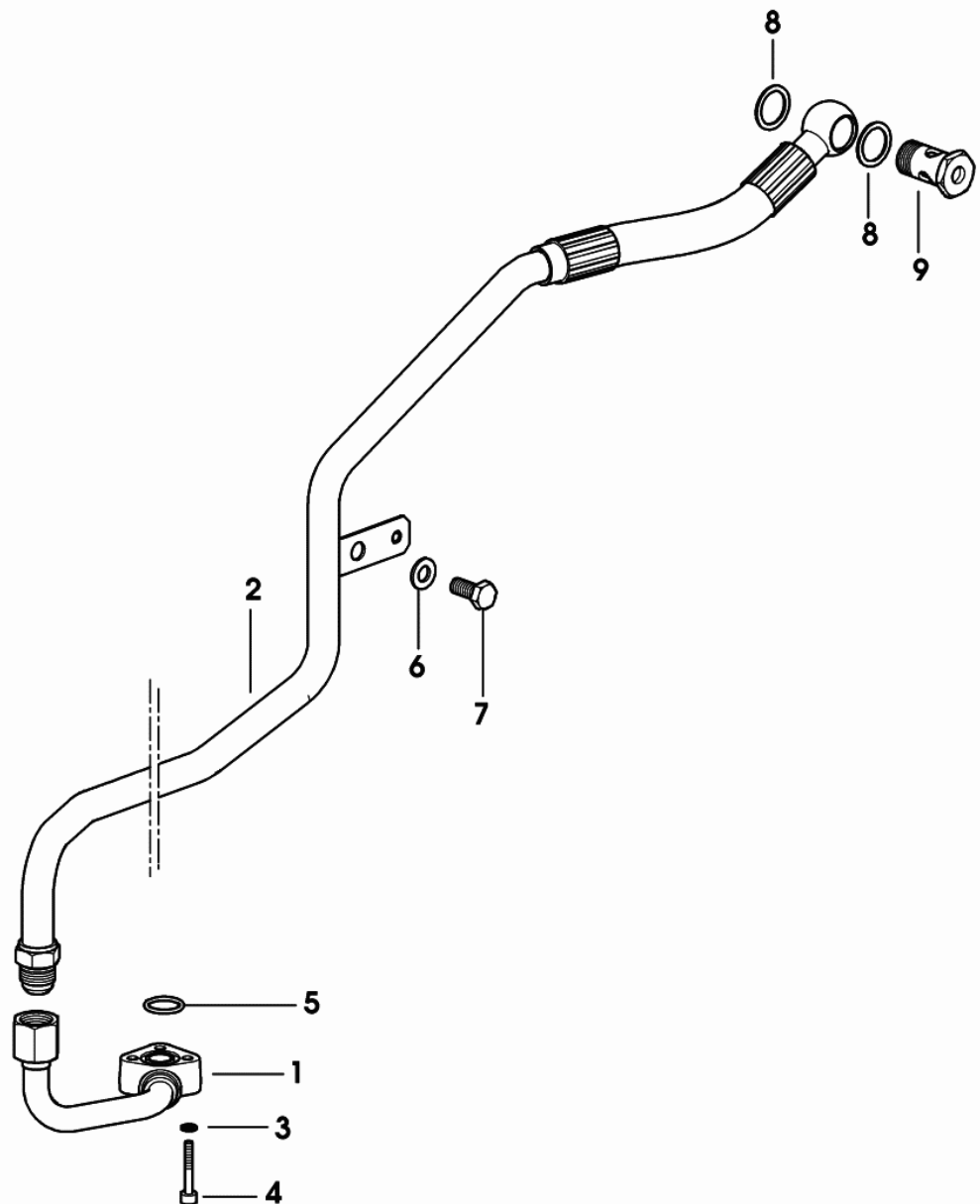
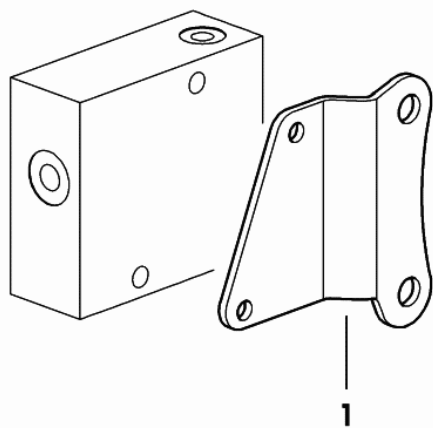


Fig.	Code	QTY	Name
1	0.014.2775.3	1	tube
2	0.014.3350.3	1	tube
3	2.1480.012.2	3	washer 6
4	2.0312.112.2	3	screw m 6 p.1x35
5	2.1531.052.0	1	'o' ring 20.29x2.62
6	2.1310.006.2	1	flat washer 10.5x20
7	2.0112.308.2	1	screw m 10 p.1.5x22
8	2.1560.018.0	2	gasket 22.2x29
9	2.3335.009.2	1	pipe union m 22 p.1.5X39

9_C2382_48_0_0

BRACKET

Fig.	Code	QTY	Name
1	0.013.9080.0	1	bracket



EXPLORER 85 T

Section: POWER STEERING - HYDRAULIC SYSTEM

Ref.: 307

HYDRAULIC SYSTEM

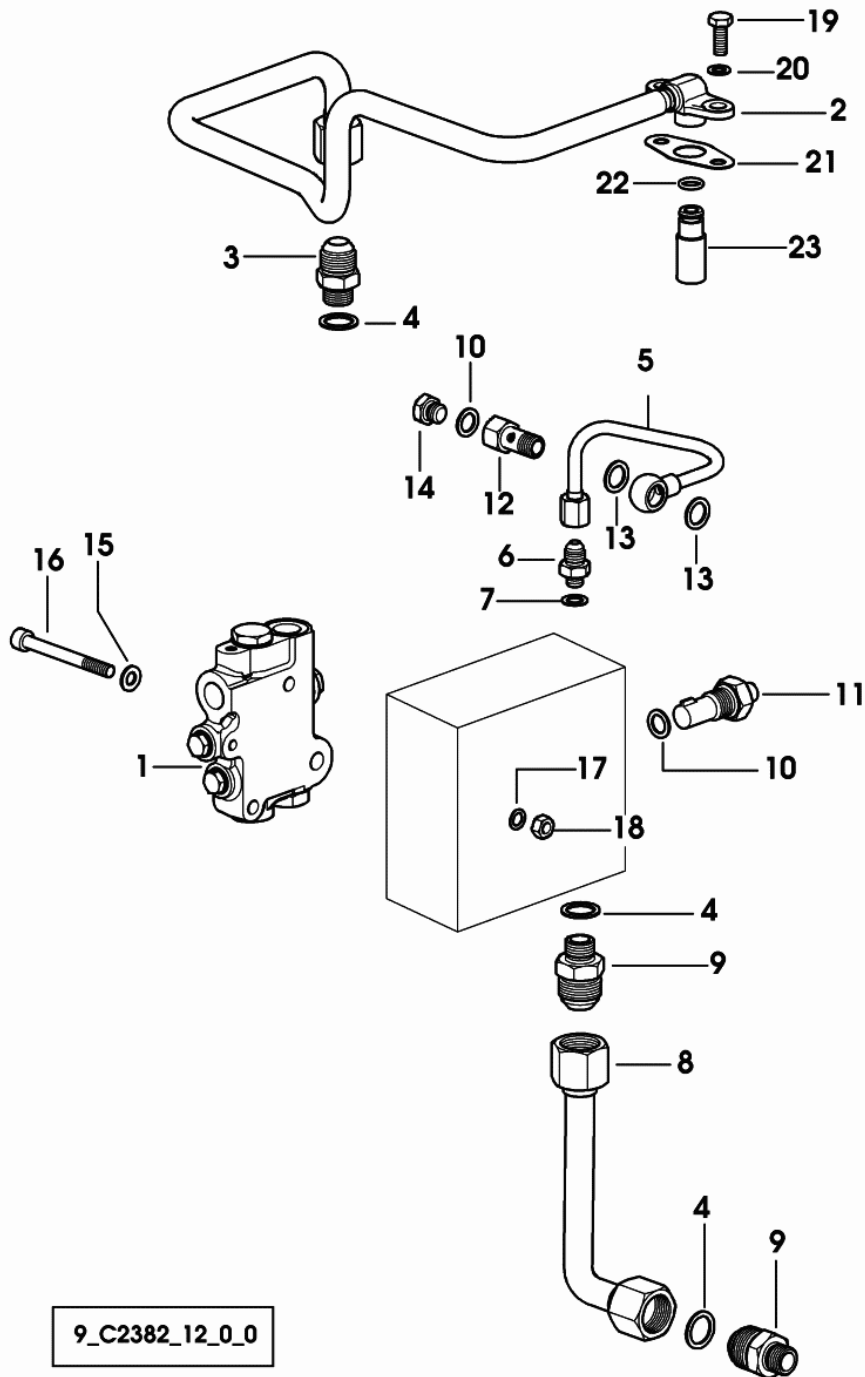
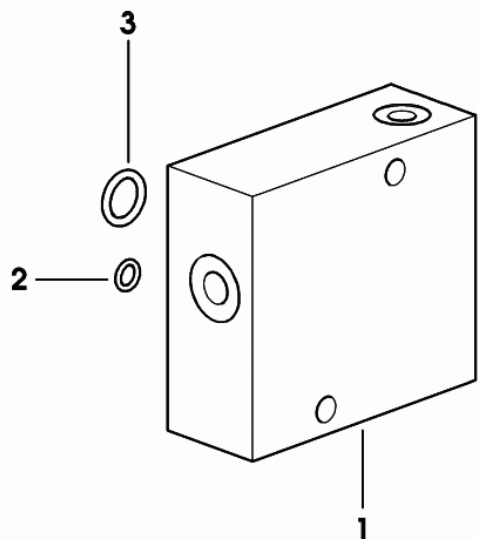


Fig.	Code	QTY	Name
1	0.009.3456.4/80	1	valve body ☞ 611 1130 <- X EXPLORER 85 T 1162 <- X EXPLORER 95 T 1182 <- X EXPLORER 95 TB => 611
1	0.014.4241.4	1	valve body ☞ 612 -> 1131 X EXPLORER 85T -> 1163 X EXPLORER 95T -> 1183 X EXPLORER 95TB => 612
2	0.013.9082.3/10	1	tube
3	2.3261.010.2	1	pipe fitting M18x1,5 7/8" 14
4	2.1560.014.0	3	gasket 18.2x24x1.5
5	0.013.9083.3	1	tube
6	2.3261.003.2	1	pipe fitting m 10 p.1.25-1/2"
7	2.1560.006.0	1	gasket 10.5
8	0.013.9081.3	1	tube
9	2.3339.235.2	2	pipe fitting M 18 x 1" 1/16-12jic
10	2.1560.008.0	2	gasket 12.2x18
11	2.7099.750.0/10	1	pressure switch
12	2.3339.860.2/20	1	pipe union
13	2.1560.010.0	2	gasket 14.2x20
14	2.3110.402.2	1	plug m 12
15	2.1480.014.2	2	washer
16	2.0312.221.2	2	screw m 8 p.1.25x75
17	2.1310.004.2	2	flat washer 8.4x16
18	2.1011.105.2	2	nut m 8 p.1.25
19	2.0112.207.2	2	screw m 8 p 1.25x20
20	2.1560.004.0	2	gasket 8.2x14
21	0.052.1558.0/10	1	gasket
22	2.1531.024.0	1	ring 10.77x2.62
23	0.008.3750.0	1	tube

9_C2382_12_0_0

HYDRAULIC SYSTEM

Fig.	Code	QTY	Name
1	0.013.9027.0	1	valve body
2	2.1531.012.0	1	ring 6.75x1.78
3	2.1531.033.0	1	ring 13.11x2.62



HYDRAULIC SYSTEM SYNCRO POWER

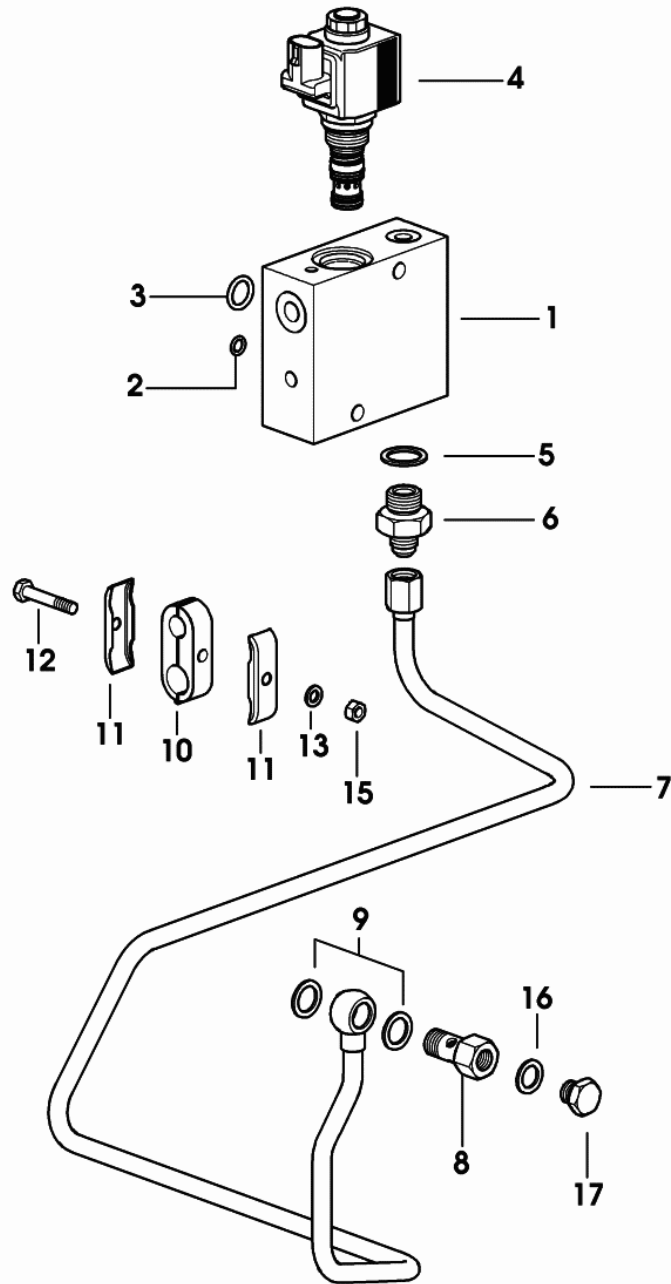


Fig.	Code	QTY	Name
1	0.013.8918.3	1	valve body
2	2.1531.012.0	1	ring 6.75x1.78
3	2.1531.033.0	1	ring 13.11x2.62
4	2.3729.697.0	1	electro valve 13V - 20W ☞ 613 => 613
5	2.1560.014.0	1	gasket 18.2x24x1.5
6	2.3339.170.2/10	1	pipe fitting
7	0.013.9123.3/10	1	tube
8	2.3339.860.2/20	1	pipe union
9	2.1560.010.0	2	gasket 14.2x20
10	0.013.3075.0	2	stop
11	0.013.3065.0	4	plate
12	2.0112.013.2	2	screw m 6 p.1x35
13	2.1470.002.2	2	lock washer 6
15	2.1011.103.2	2	nut m 6 p.1
16	2.1560.008.0	1	gasket 12.2x18
17	2.3110.402.2	1	plug m 12

EXPLORER 85 T

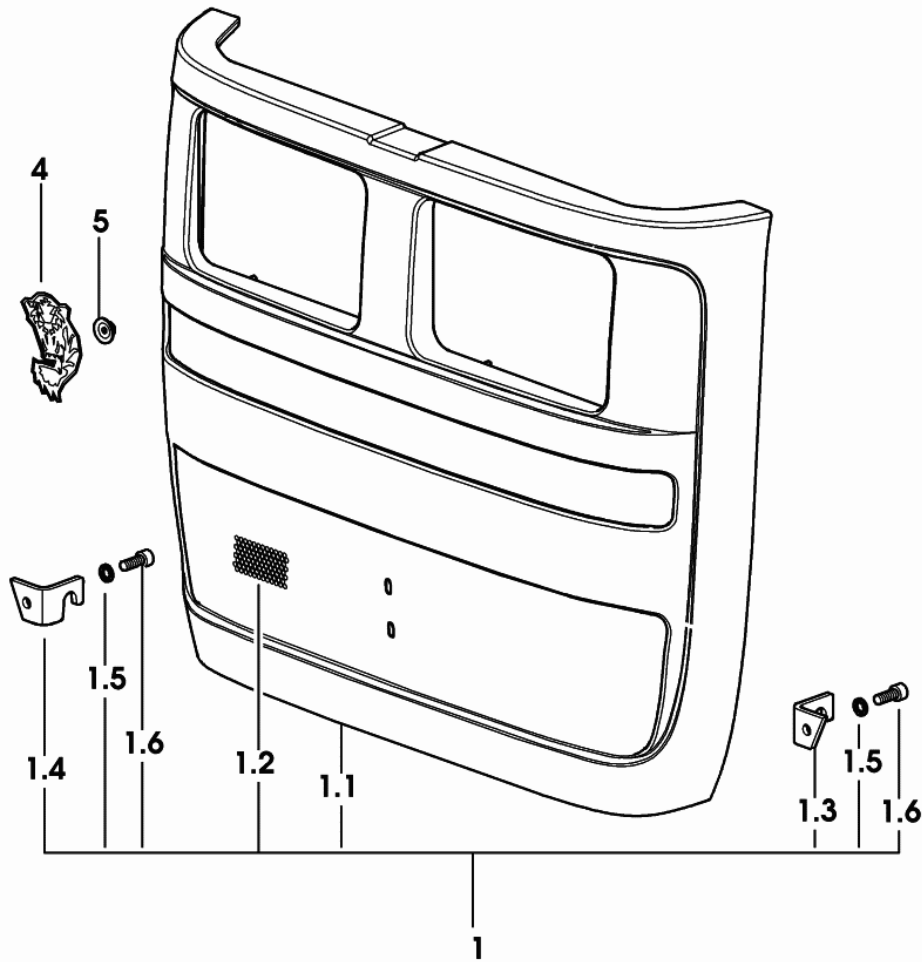
BODY WORK

HOOD FRONT PART.....	312
HOOD UPPER PART.....	313
HOOD PLUG.....	314
HOOD - LEFT SIDE PANEL.....	315
HOOD - RIGHT SIDE PANEL.....	316
HOOD SIDE PANEL.....	317
HEAT SHIELD.....	318
HOOD - LEFT SIDE PANEL HOLDER.....	319
HOOD - RIGHT SIDE PANEL.....	321
MODEL PLATE.....	324
HOOD SUPPORT.....	328
HOOD - SUPPORTS.....	329
HOOD SUPPORT.....	331
COOLING SYSTEM.....	335
COOLING SYSTEM.....	336
DASHBOARD.....	339
INSTRUMENT PANEL SURROUND.....	341
FRONT GRIP.....	342
INFORMATION PLATE.....	344
SPEED LABEL 30 Km/h 18.4 R34.....	351
SPEED LABEL 40 Km/h 18.4 R34.....	352
SPEED LABEL 18 MPH 18,4 R34 EXPORT U.S.A.....	353
SPEED LABEL 25 MPH 18.4 R34 EXPORT U.S.A.....	354
SPEED LABEL - 40 KM/H - REFLEX.....	357
BRACKET - SPEED LABEL.....	358
PLATES.....	359
PLATES OCDE.....	360
INFORMATION PLATE.....	361
THROTTLE.....	362
4WD - FRONT MUDGUARDS mm 355 24".....	364
4WD - FRONT MUDGUARDS mm 355 28".....	365
4WD - FRONT MUDGUARDS mm 400.....	367
PLATFORM.....	369
MAT FOR PLATOFRM.....	371
SUPPORTS.....	374
SUPPORTS.....	377
FENDER MOUNTINGS.....	380
REAR MUDGUARDS.....	382
MUDGUARDS EXTENSIONS mm 185.....	385
MUDGUARDS EXTENSIONS mm 140.....	386
FENDERS.....	388

BADGE FOR SPLASH GUARDS.....	390
BATTERY SUPPORT.....	392
METAL TOOLBOX.....	393
LICENCE PLATE HOLDER.....	394
REARVIEW MIRROR dx.....	395
REARVIEW MIRROR - SX.....	396
SAFETY ARCH.....	397
SAFETY ARCH.....	398
SAFETY ROLL BAR MOUNTINGS.....	400
SAFETY ARCH.....	403
SAFETY ROLL BAR MOUNTINGS.....	404
SAFETY ARCH.....	406
FUEL TANK.....	411
DRY AIR FILTER.....	414
DRIVER'S SEAT.....	416
SEAT SPRINGING.....	417
SEAT SPRINGING.....	418
DRIVER'S SEAT SABLE - PVC.....	419
SEAT SUPPORT BRACKET.....	420

Section: BODY WORK
HOOD FRONT PART

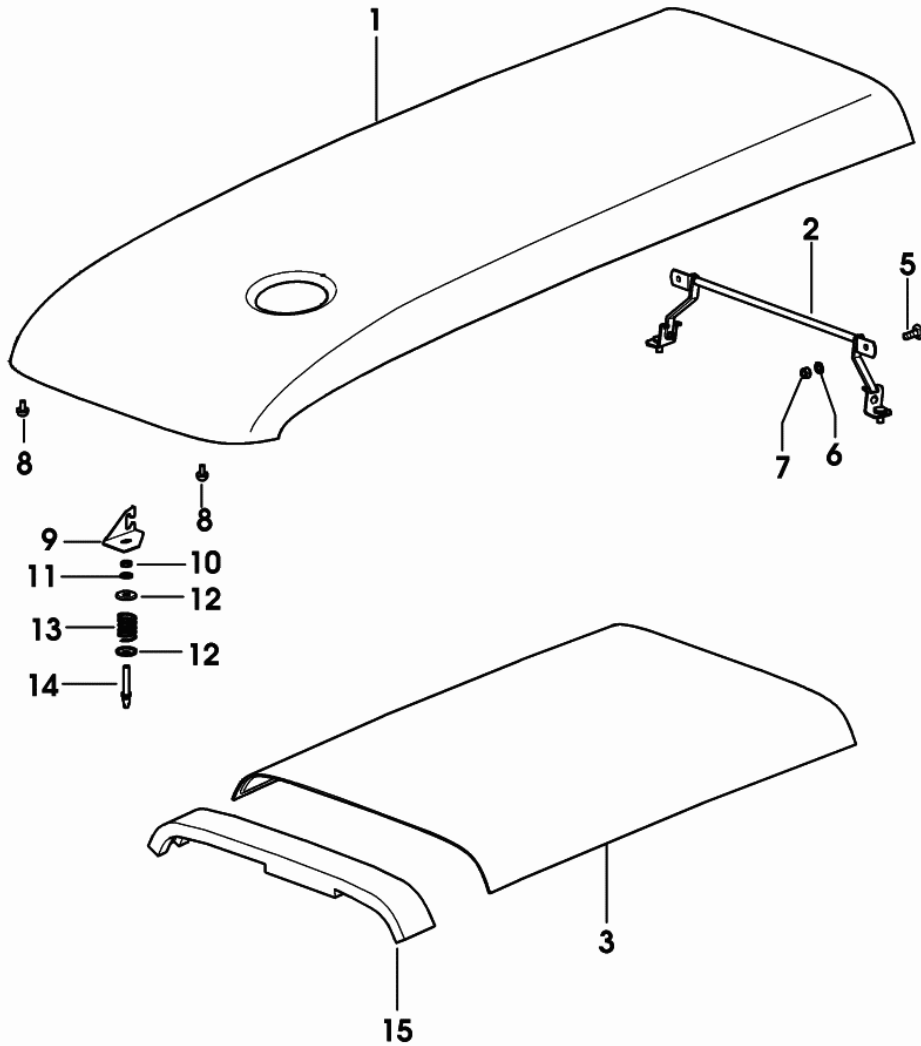
Fig.	Code	QTY	Name
1	0.000.0000.1	0	not serviceable
1.1	0.011.7175.5	1	grille/grid
1.2	0.014.3446.0	1	grille
1.3	0.012.1970.0	1	bracket sx
1.4	0.012.1982.0	1	bracket dx
1.5	2.1472.003.2	2	washer 6
1.6	2.0312.104.2	2	screw m 6 p.1x16
4	0.013.1610.2/10	1	plate SAME
5	2.1129.004.0	2	selflock nut m 4



9_C2372_09_0_0

Section: BODY WORK
HOOD UPPER PART

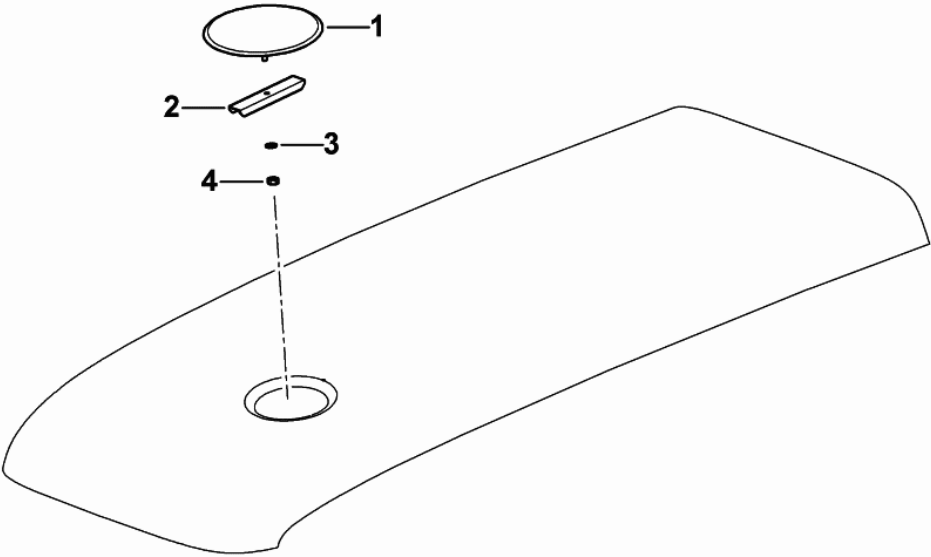
Fig.	Code	QTY	Name
1	0.010.9789.7/10	1	bonnet
2	0.013.4799.4	1	support
3	0.014.3140.0	1	panel
5	2.0020.206.2	2	screw m 8 p.1.25x25
6	2.1470.004.2	2	lock washer 8
7	2.1011.105.2	2	nut m 8 p.1.25
8	0.009.6801.0/10	2	block
9	0.010.0925.0	1	bracket
10	2.1310.004.2	1	flat washer 8.4x16
11	2.1011.205.2	1	nut m 8 p.1.25
12	0.009.7867.0	2	bottom
13	2.4019.616.2/10	1	spring
14	0.013.5751.0	1	pin
15	0.014.2773.0/20	1	gasket



9_C2372_02_0_0

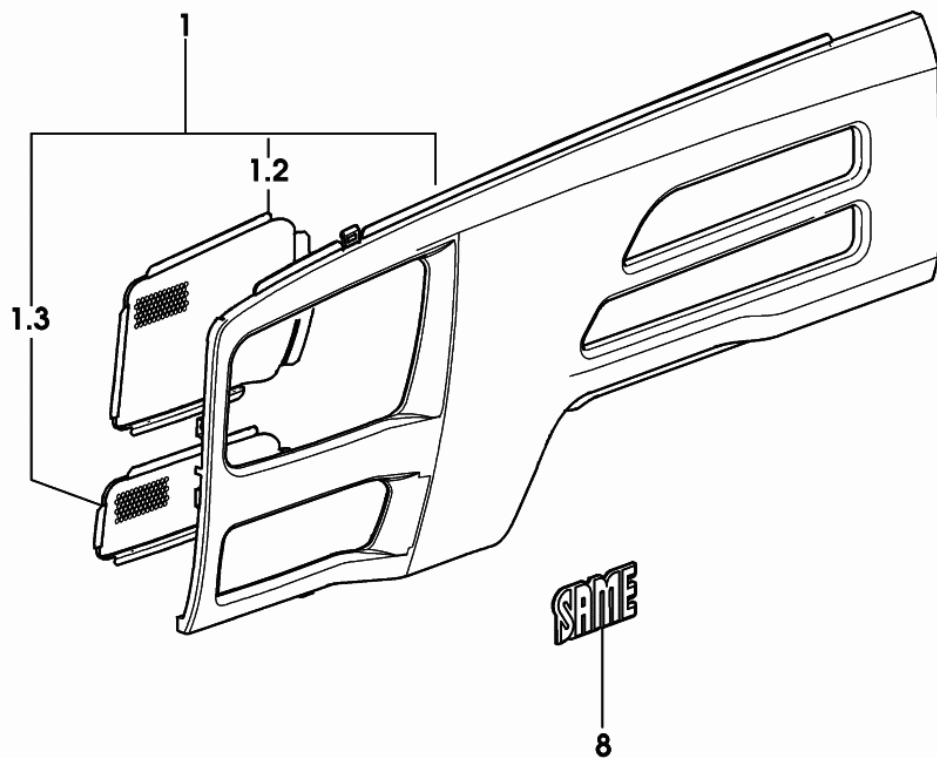
Section: BODY WORK
HOOD PLUG

Fig.	Code	QTY	Name
1	0.009.7673.2/20	1	plug
2	0.009.7672.0	1	crosspiece
3	2.1470.052.2	1	lock washer 4
4	2.1011.101.2	1	nut m 4



Section: BODY WORK
HOOD - LEFT SIDE PANEL

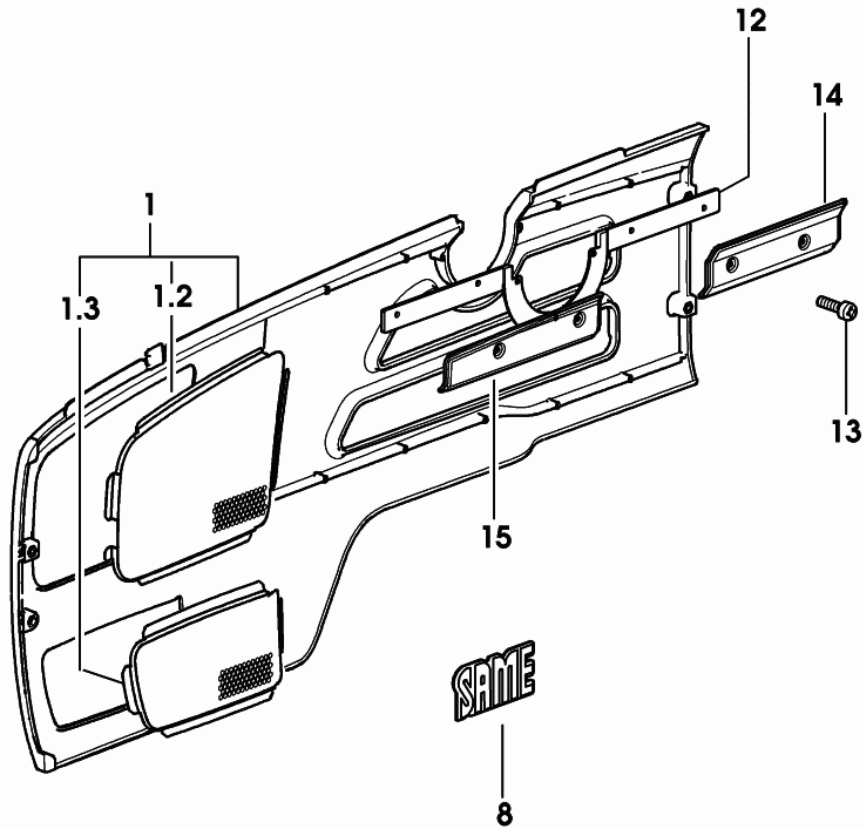
Fig.	Code	QTY	Name
1	0.013.6833.4/10	1	side panel sx
1.2	0.013.4076.0/10	1	grille
1.3	0.013.4081.0/10	1	grille
8	0.270.7228.2	1	plate SAME



9_C2372_04_0_0

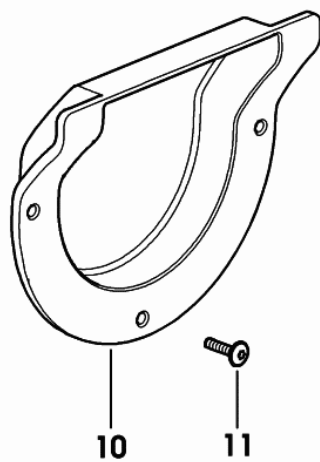
Section: BODY WORK
HOOD - RIGHT SIDE PANEL

Fig.	Code	QTY	Name
1	0.013.6832.4/10	1	side panel dx
1.2	0.013.4080.0/10	1	grille
1.3	0.013.4090.0/10	1	grille
8	0.270.7228.2	1	plate SAME
12	0.014.3283.2	1	brace
13	2.0363.106.2	4	screw
14	0.014.3357.0	1	termal insul.mater.
15	0.014.3356.0	1	termal insul.mater.



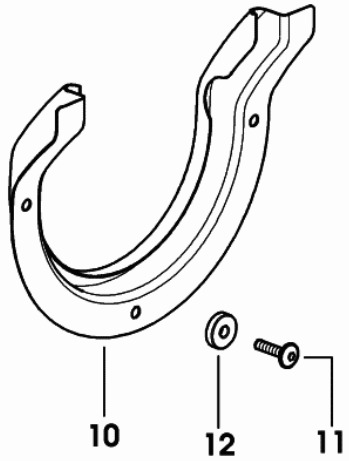
Section: BODY WORK
HOOD SIDE PANEL

Fig.	Code	QTY	Name
10	0.013.5795.0/10	1	division
11	2.0363.106.2	3	screw



Section: BODY WORK
HEAT SHIELD

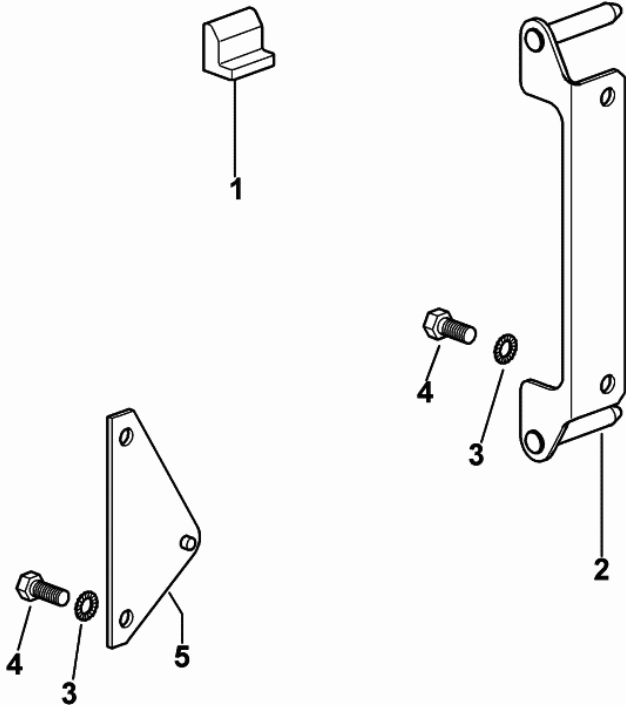
Fig.	Code	QTY	Name
10	0.013.6044.0/10	1	guard
11	2.0363.106.2	3	screw
12	2.1549.625.2	3	spacer



Section: BODY WORK

HOOD - LEFT SIDE PANEL HOLDER

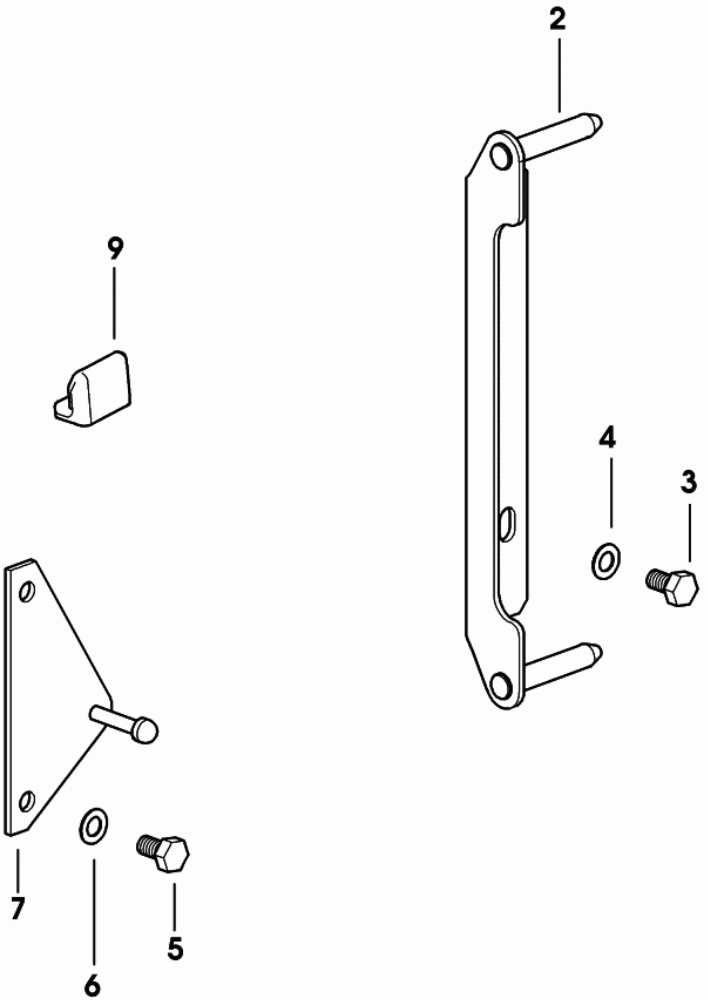
Fig.	Code	QTY	Name
1	0.009.7992.0	1	block
2	0.014.2762.2/20	1	support sx
3	2.1470.004.2	4	lock washer 8
4	2.0112.204.2	4	screw m 8 p.1.25x14
5	0.009.6798.2/20	1	bracket sx



9_64872_06_0_0

Section: BODY WORK
HOOD - RIGHT SIDE PANEL

Fig.	Code	QTY	Name
2	0.013.5928.2/20	1	plate
3	2.0112.204.2	2	screw m 8 p.1.25x14
4	2.1470.004.2	2	lock washer 8
5	2.0112.204.2	2	screw m 8 p.1.25x14
6	2.1470.004.2	2	lock washer 8
7	0.009.6797.2/20	1	bracket dx
9	0.009.7992.0	1	block



9_C2372_08_0_0

MODEL PLATE

Fig.	Code	QTY	Name
1	0.014.0184.0	2	plate

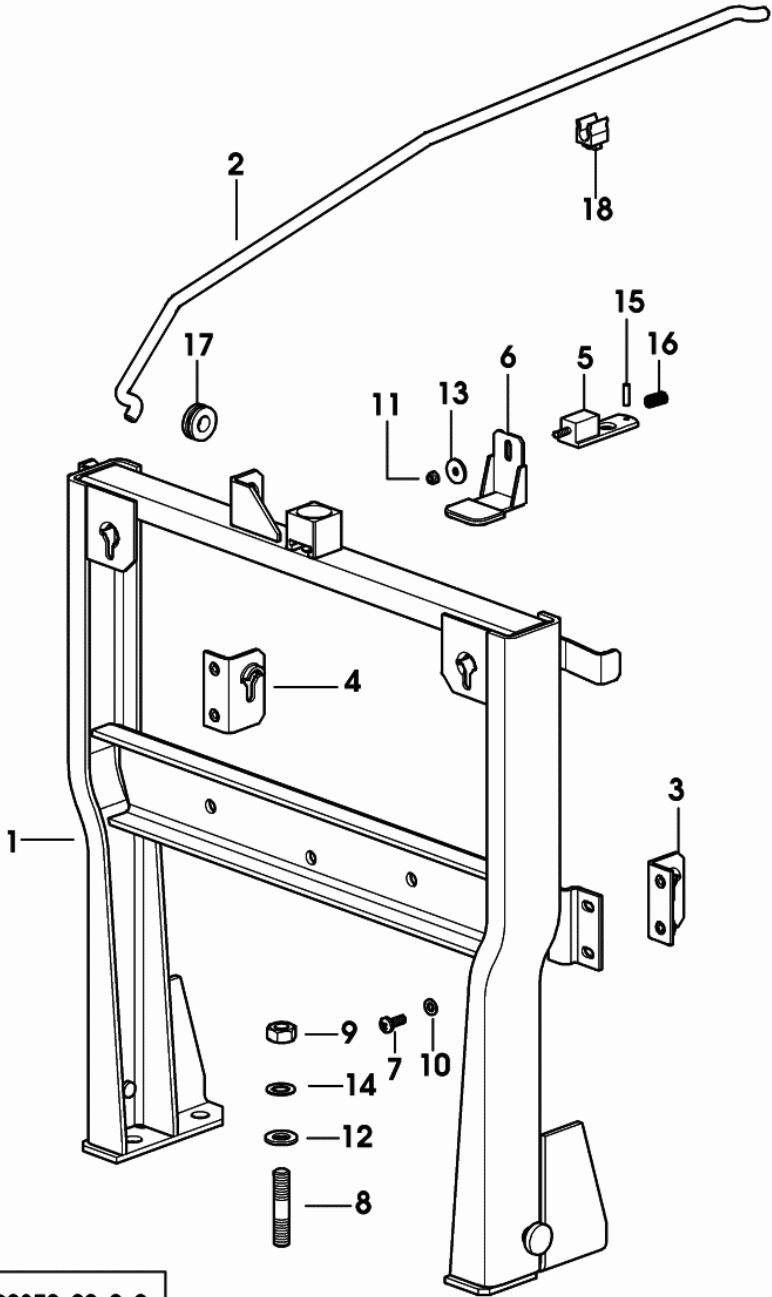
EXPLORER 85 T



9_C2372_10_0_0

Section: BODY WORK
HOOD SUPPORT

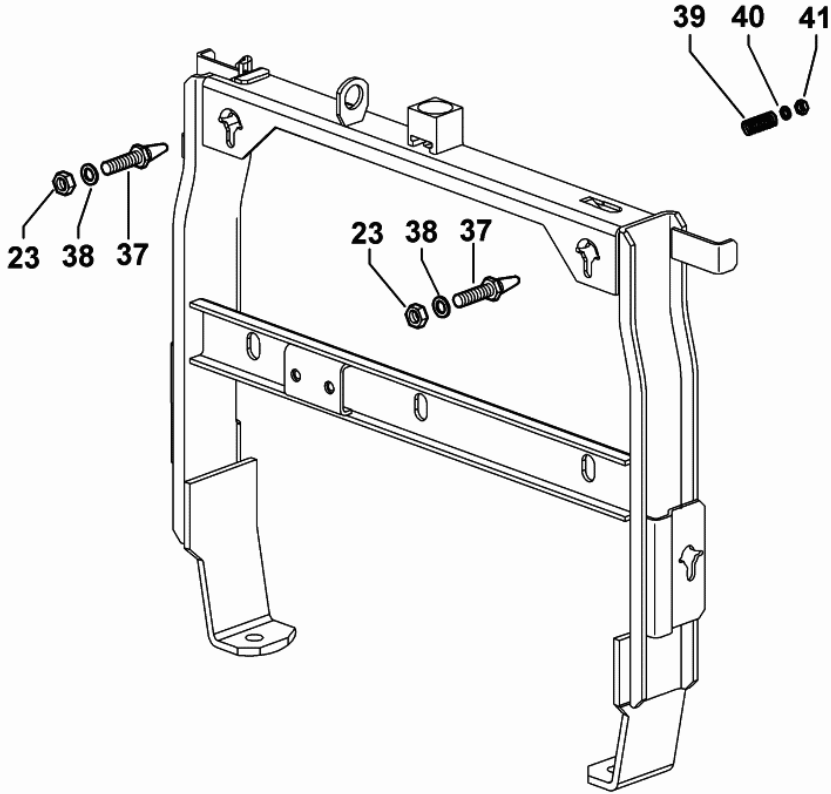
Fig.	Code	QTY	Name
1	0.014.0701.2/10	1	chassis frame
2	0.013.5608.0/10	1	top link
3	0.009.7934.2/10	1	bracket sx
4	0.009.7935.2/10	1	bracket dx
5	0.011.3311.2/30	1	small plate
6	0.011.3314.4/10	1	bracket
7	2.0332.305.2	4	screw m 5x14
8	2.0422.303.2	4	stud bolt m 10x22
9	2.1011.106.2	4	nut m 10 p.1.5
10	2.1310.001.2	4	flat washer 5.3x10
11	2.1121.001.2	1	selflock nut m 4 p.0.7
12	2.1310.006.2	4	flat washer 10.5x20
13	2.1312.001.2	1	washer 4.3
14	2.1470.006.2	4	lock washer 10
15	2.1630.103.2	1	roll pin
16	2.4019.722.2	1	spring
17	2.6560.004.0	1	wire guide 10x2.5
18	0.010.0351.0	1	small spring



9_C2372_00_0_0

Section: BODY WORK
HOOD - SUPPORTS

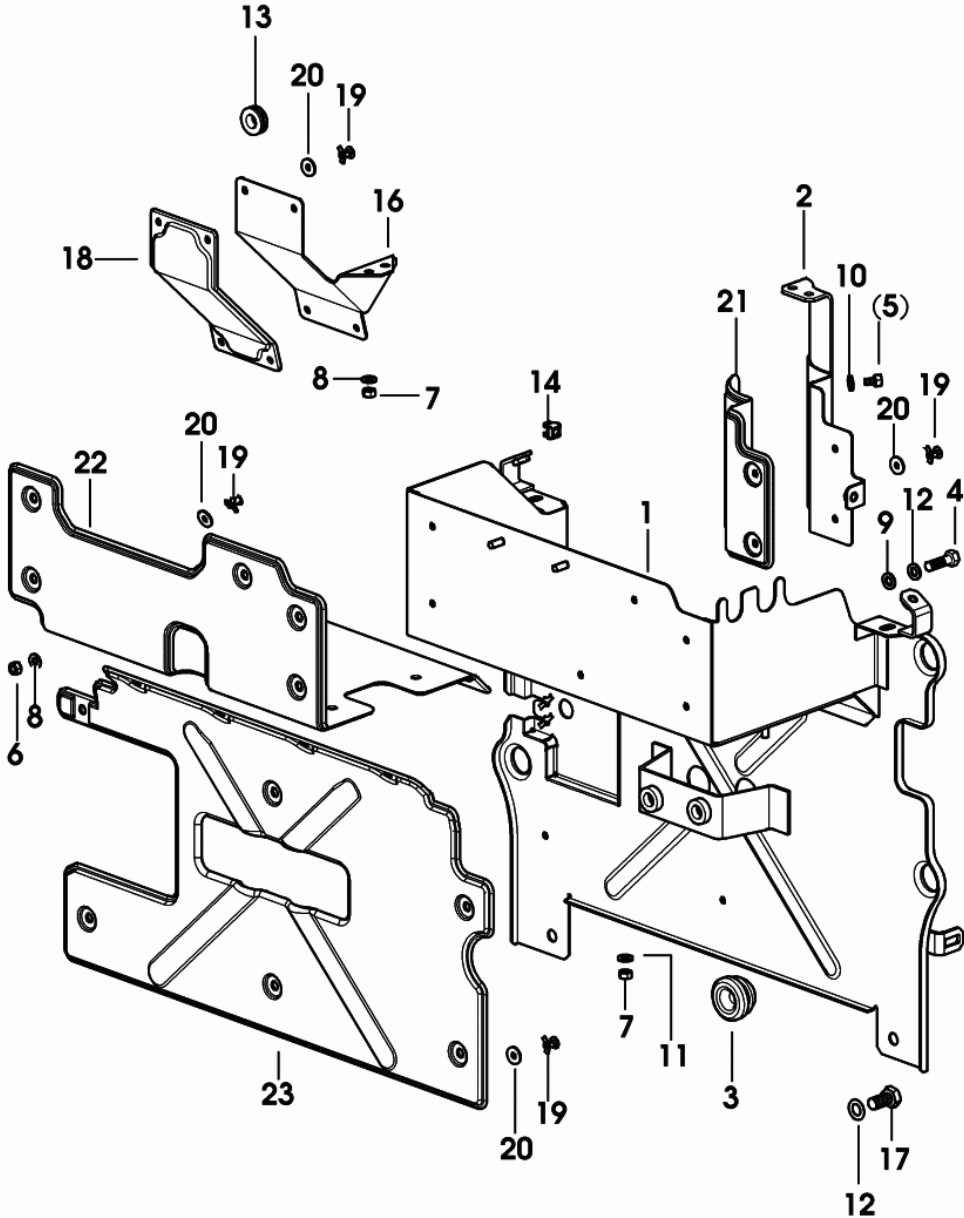
Fig.	Code	QTY	Name
23	2.1470.004.2	2	lock washer 8
37	0.011.3639.0/10	2	pin
38	2.1011.105.2	2	nut m 8 p.1.25
39	2.4019.619.0	6	spring
40	2.1310.001.2	6	flat washer 5.3x10
41	2.1120.001.2	6	selflock nut m 4



9_D4172_02_0_0

Section: BODY WORK
HOOD SUPPORT

Fig.	Code	QTY	Name
1	0.013.5926.3/60	1	division
2	0.014.3160.3/10	1	bracket
3	0.009.6531.0/30	4	block
4	2.0112.307.2	1	screw m 10 p.1.5x20
5	2.0114.005.2	2	screw m 6x16 1054 <- X EXPLORER 85 T 1066 <- X EXPLORER 95 T
6	2.1011.103.2	7	nut m 6 p.1
7	2.1011.105.2	2	nut m 8 p.1.25
8	2.1310.002.2	6	flat washer 6.4x12.5
9	2.1310.006.2	2	flat washer 10.5x20
10	2.1470.002.2	2	lock washer 6
11	2.1470.004.2	2	lock washer 8
12	2.1470.006.2	2	lock washer 10
13	2.6560.006.0	1	wire guide 12x1.5
14	2.6999.031.2	2	special nut m 6
16	0.014.2727.0/10	1	shield
17	2.0112.313.2	1	screw m 10 p.1.5x35
18	0.014.3096.0	1	shield
19	2.1851.005.0	27	rivet
20	2.1312.002.2	27	washer 5.3x15
21	0.014.3145.0	1	shield
22	0.014.3214.0	1	shield
23	0.014.3216.0	1	shield



9_C2372_01_0_0

Section: BODY WORK
COOLING SYSTEM

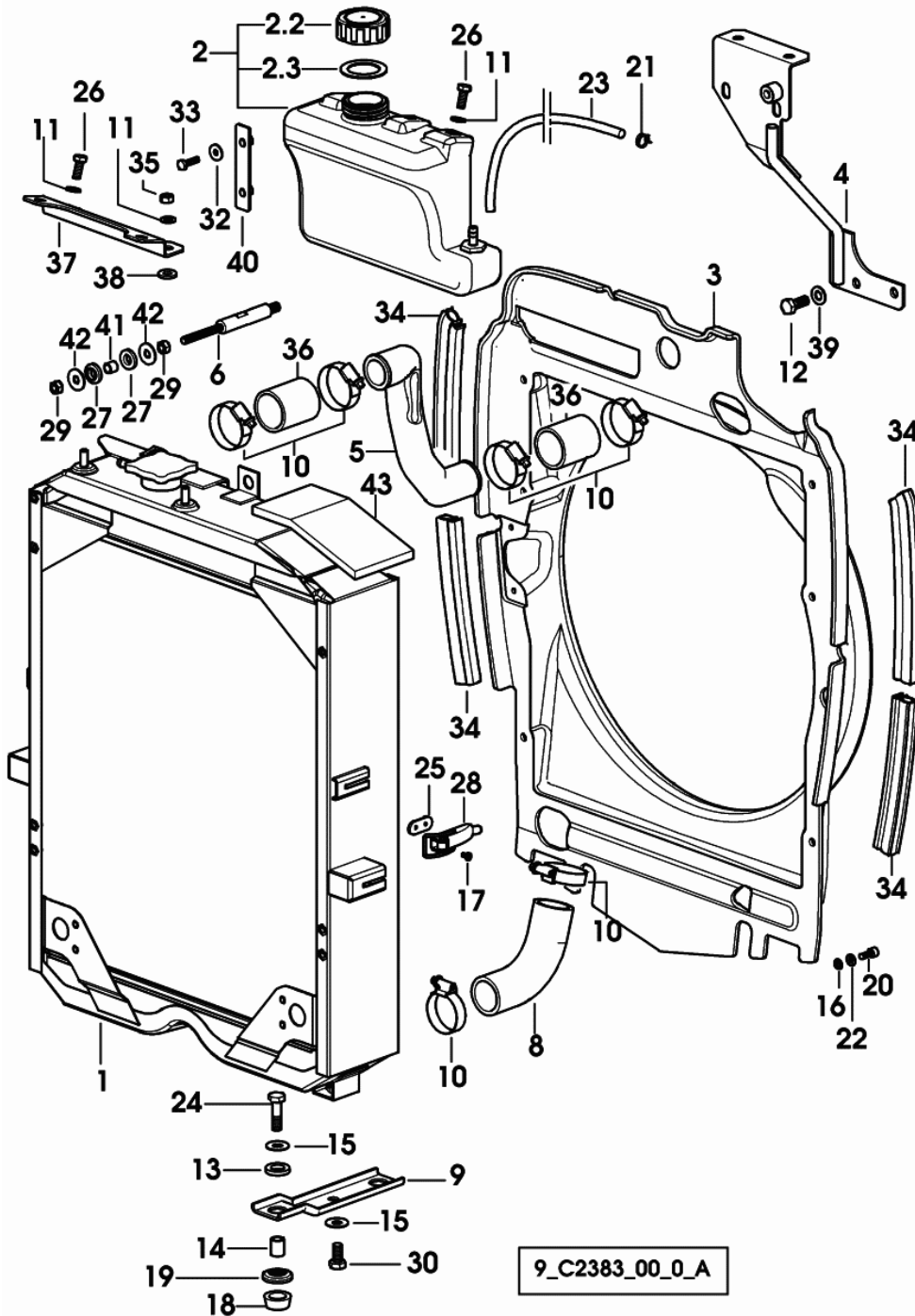
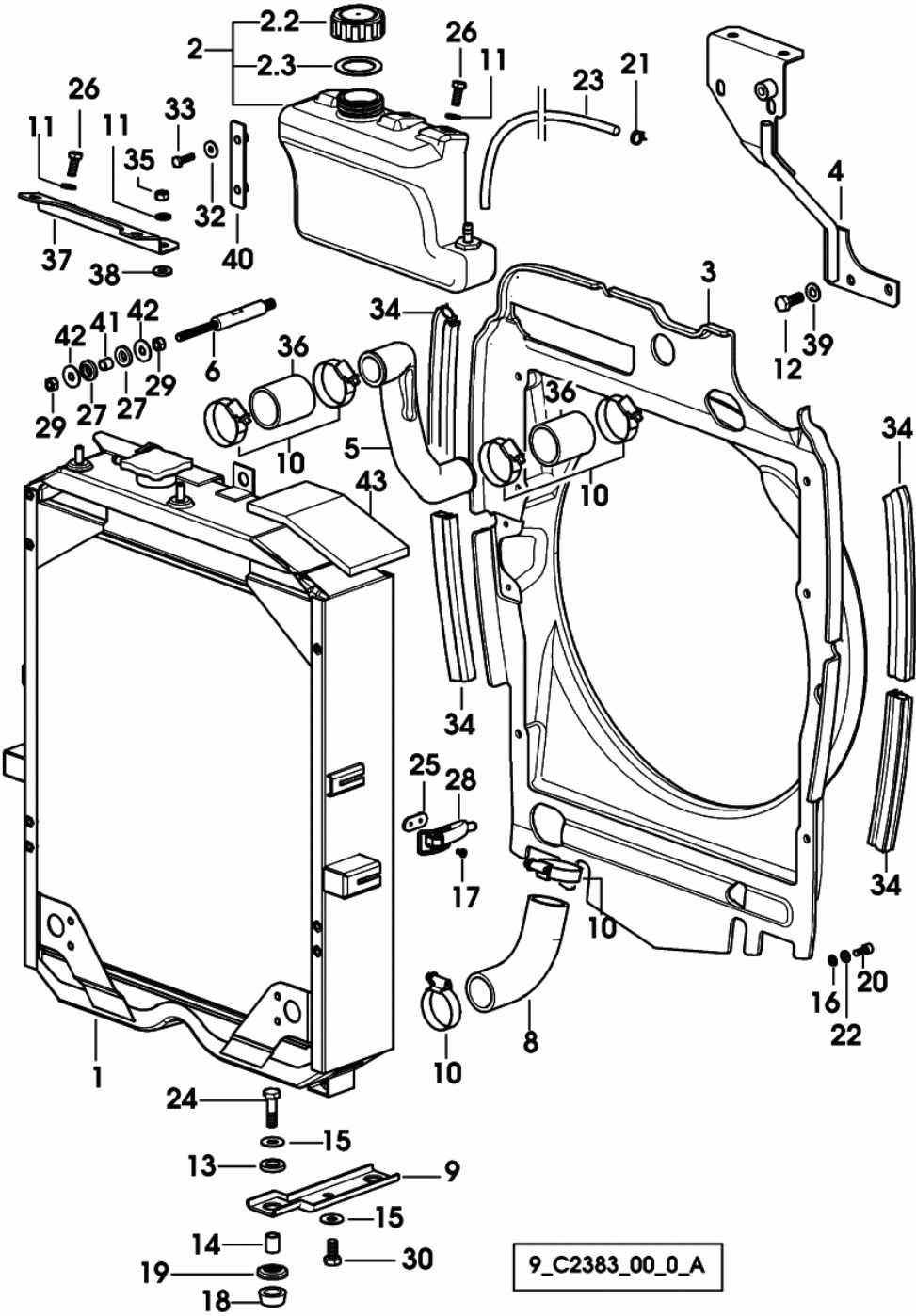


Fig.	Code	QTY	Name
1	0.013.3793.4/20	1	water cooler ☞ 615 => 615
2	0.013.4947.4/30	1	cup
2.2	0.013.7584.0	1	plug
2.3	2.1569.215.0	1	gasket
3	0.013.4934.0/30	1	air duct hood
4	0.013.5069.3/20	1	rod
5	0.014.1808.0	1	sleeve
6	0.014.0627.0/10	1	rod
8	0.013.4807.0/20	1	sleeve
9	0.013.5515.0	2	bracket
10	2.6851.005.0	6	clamp 40-60
11	2.1310.004.2	4	flat washer 8.4x16
12	2.0112.309.2	2	screw m 10 p.1.5x25
13	0.136.7387.0	4	rubber plug 15x27x5
14	2.1579.090.2	4	spacer 10.1x15x18
15	2.1599.044.2	6	snoulder 10.5x25.5x1.5
16	2.1310.002.2	6	flat washer 6.4x12.5
17	2.0332.202.2	4	screw m 4x8
18	0.136.7385.0	4	rubber plug
19	0.136.7384.0	4	cup
20	2.0312.104.2	6	screw m 6 p.1x16
21	2.6859.083.2	2	clamp
22	2.1470.002.2	6	lock washer 6
23	0.012.6457.0	0	tube
24	2.0112.313.2	4	screw m 10 p.1.5x35
25	0.008.9726.0	2	small plate
26	2.0114.207.2	2	screw m 8x20
27	0.013.5070.0/10	2	rubber plug
28	0.008.9632.0	2	clevis
29	2.1011.105.2	2	nut m 8 p.1.25
30	2.0112.307.2	2	screw m 10 p.1.5x20
32	2.1310.003.2	2	flat washer 7.4x14
33	2.0112.008.2	2	screw m 6 p.1x22
34	0.012.7147.0/10	1	gasket mm 510
35	2.1011.105.2	2	nut m 8 p.1.25
36	0.013.9549.0	2	sleeve
37	0.013.4948.0/20	1	bracket
38	2.1599.155.2	2	spacer
39	2.1310.006.2	2	flat washer 10.5x20
40	0.014.2390.2	1	small plate
41	2.1549.044.2	1	spacer
42	2.1312.004.2	2	washer 9x24

Section: BODY WORK
COOLING SYSTEM

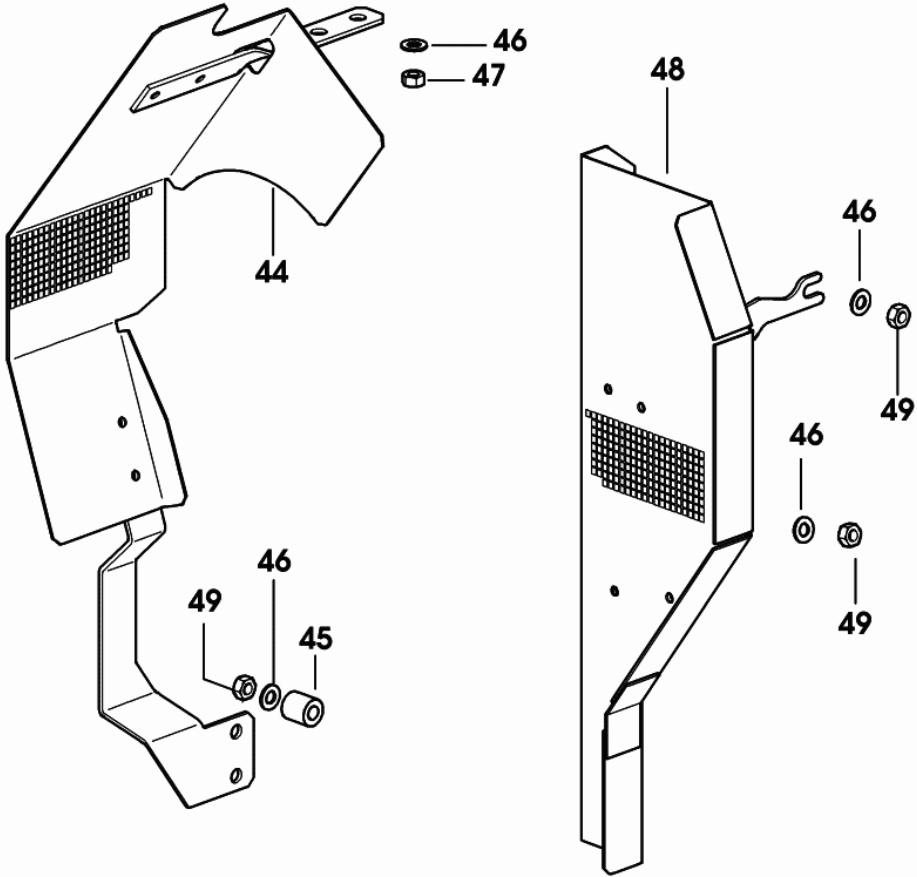


9_C2383_00_0_A

Fig.	Code	QTY	Name
43	0.014.2752.0	1	gasket

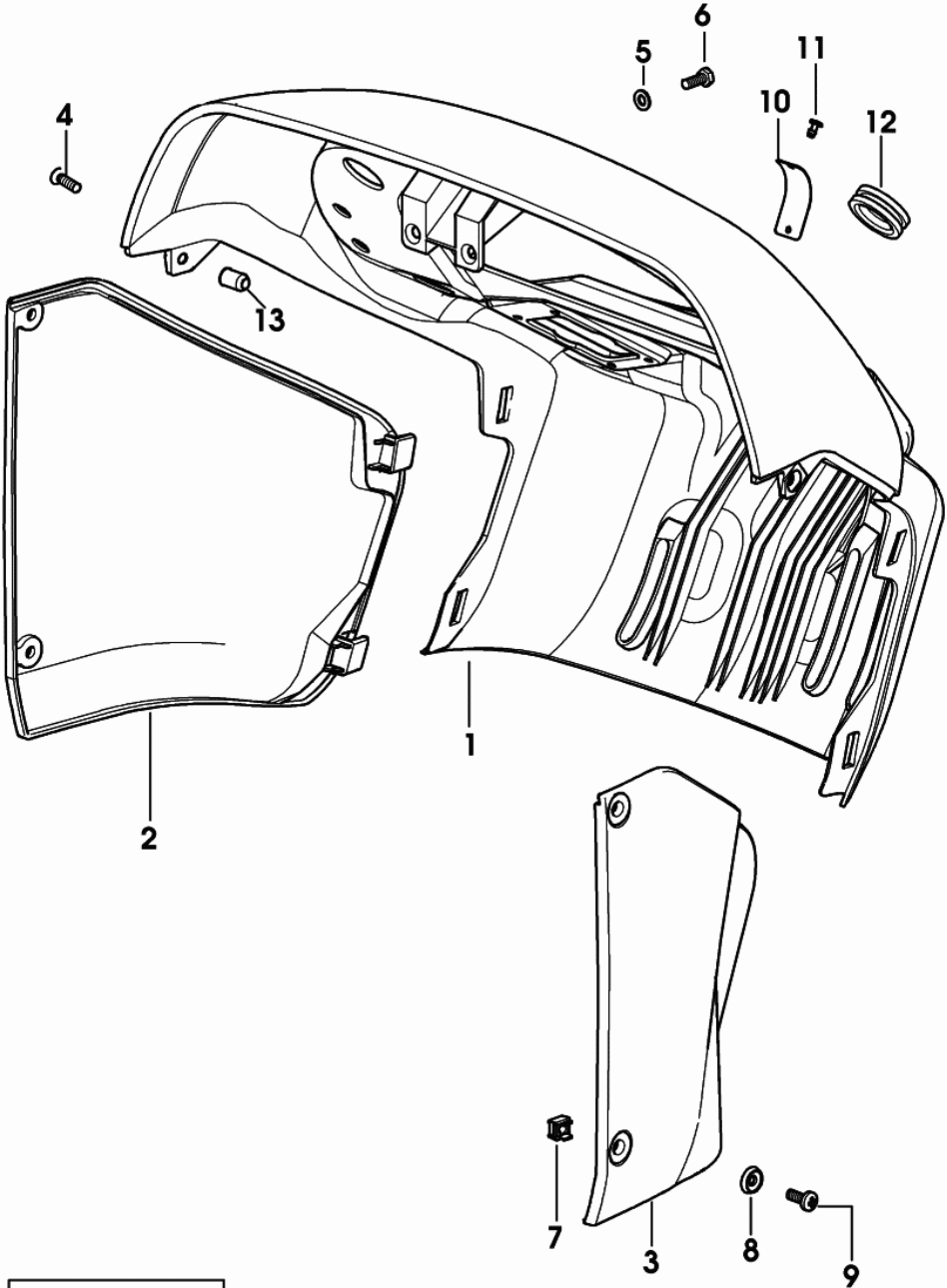
Section: BODY WORK
COOLING SYSTEM

Fig.	Code	QTY	Name
44	0.014.3401.2/10	1	shield dx
45	2.1579.191.2	2	spacer 8.5x18x20
46	2.1310.004.2	6	flat washer 8.4x16
47	2.1011.105.2	2	nut m 8 p.1.25
48	0.014.3323.2/10	1	shield sx
49	2.1011.405.2	4	nut m 8 p.1



Section: BODY WORK
DASHBOARD

Fig.	Code	QTY	Name
1	0.013.6689.4	1	dashboard
2	0.012.6149.4	2	side panel dx
3	0.014.1188.0	1	side panel
4	2.0322.407.6	4	screw m 6x20
5	2.1310.002.2	2	flat washer 6.4x12.5
6	2.0112.005.2	2	screw m 6 p.1x16
7	2.6999.024.2	7	special nut m 6
8	0.9125.662.0	4	washer 6.4x12.5
9	2.0332.406.3	4	screw m 6x16
10	2.9939.149.0	1	plate
11	2.1856.002.0	2	rivet
12	2.3199.115.0	1	plug 38x12
13	2.1142.004.2	2	nut m 6x3

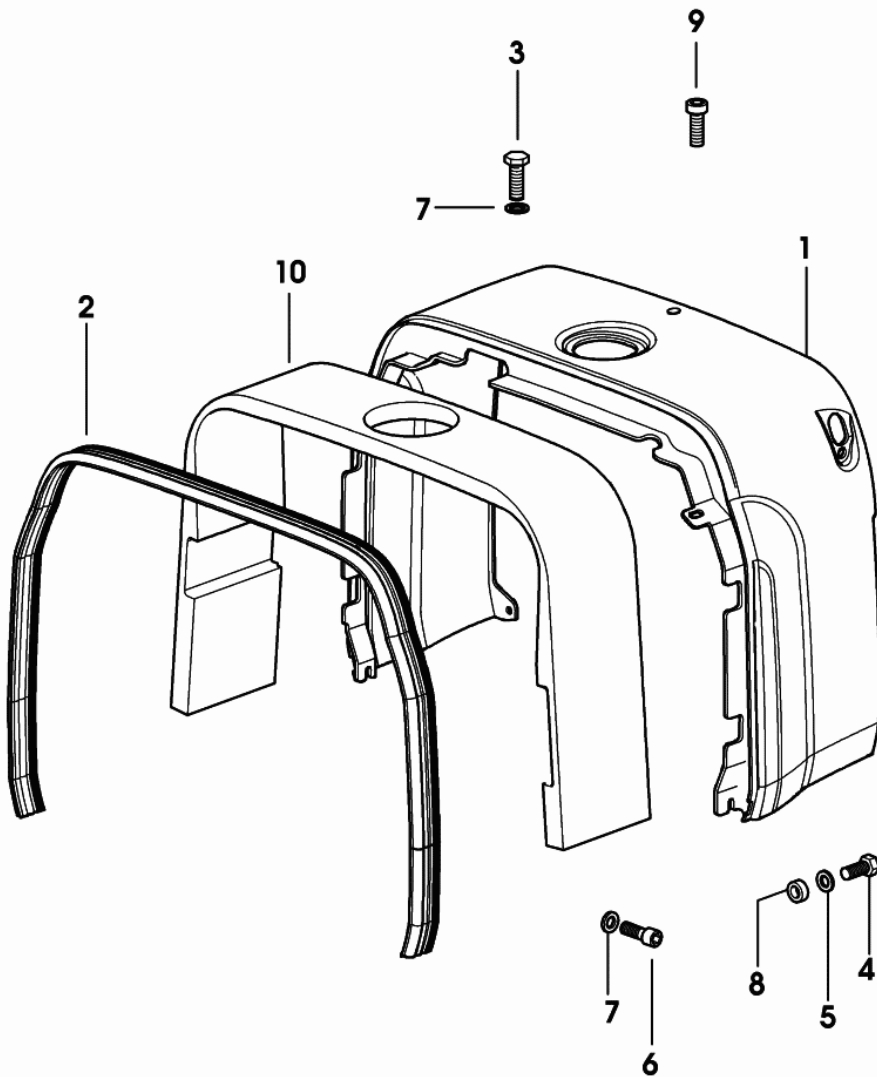


9_C2374_00_0_0

Section: BODY WORK

INSTRUMENT PANEL SURROUND

Fig.	Code	QTY	Name
1	0.013.5774.0/20	1	frame
2	0.014.1207.0	1	gasket
3	2.0112.006.2	2	screw m 6 p.1x18
4	2.0112.007.2	2	screw m 6 p.1x20
5	2.1310.002.2	2	flat washer 6.4x12.5
6	2.0312.105.2	2	screw m 6 p.1x18
7	2.1312.003.2	4	washer 6.6x18
8	2.1579.890.0	2	spacer
9	2.0322.407.3	1	screw m 6x20
10	0.014.3282.0	1	termal insul.mater.

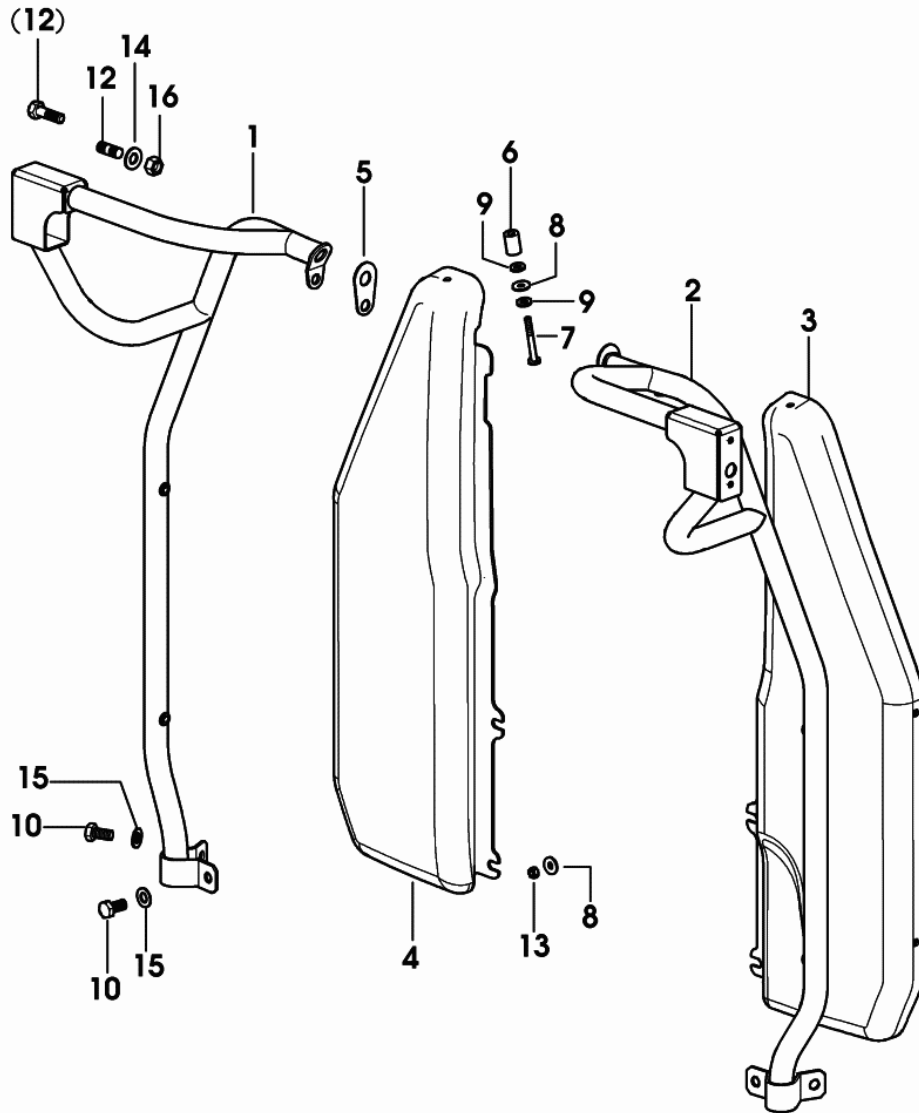


9_C2372_06_0_0

Section: BODY WORK

FRONT GRIP

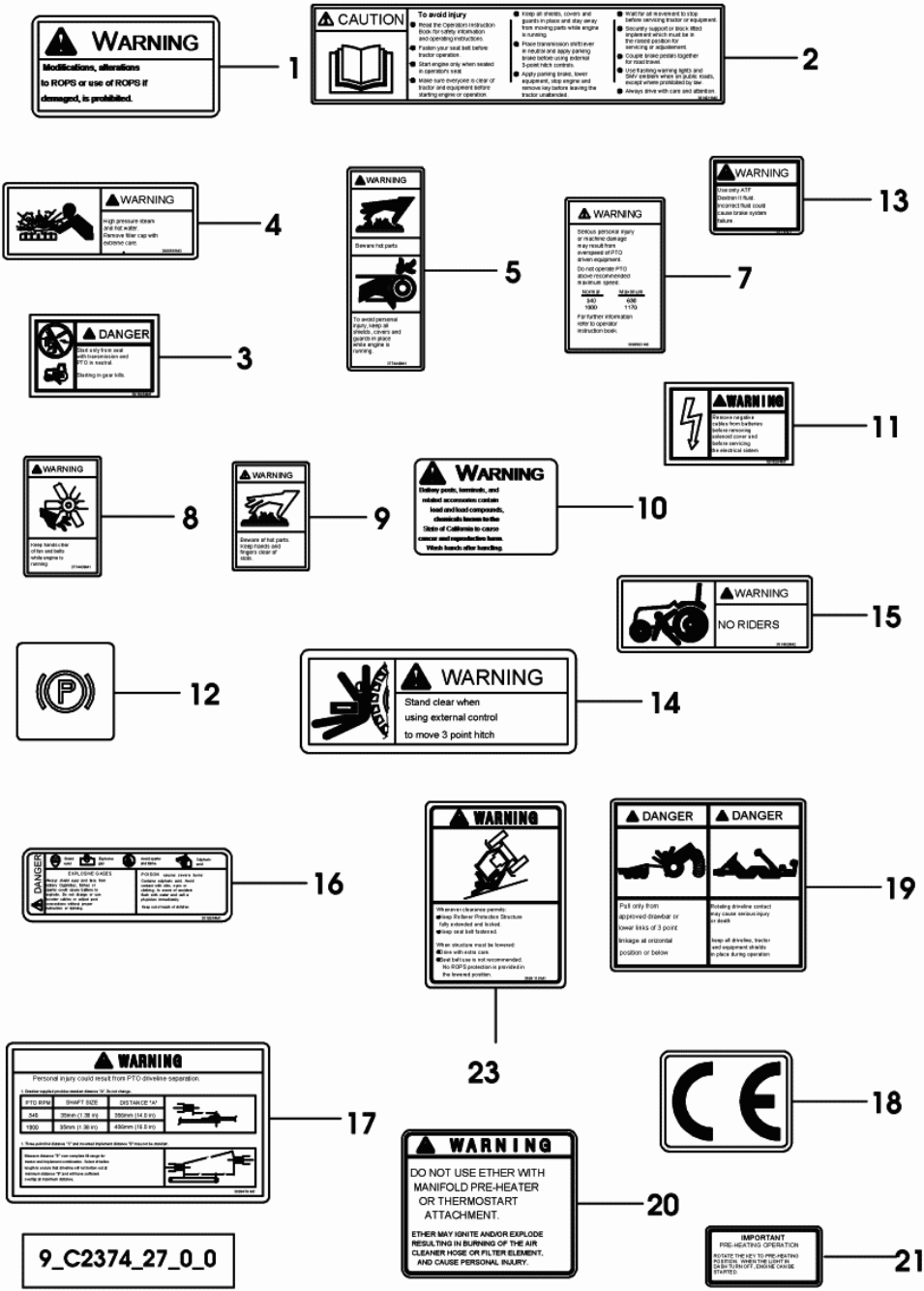
Fig.	Code	QTY	Name
1	0.014.1026.3	1	chassis frame
2	0.014.1025.3	1	shield
3	0.014.1028.0/10	1	shield
4	0.014.1027.0/10	1	shield
5	0.014.1029.0	2	rubber plug
6	2.1549.209.3	6	spacer
7	2.0332.413.3	6	screw m 6x50
8	2.1312.003.2	10	washer 6.6x18
9	2.1569.165.0	12	gasket 7x15
10	2.0112.307.2	4	screw m 10 p.1.5x20
12	2.0312.308.2	2	screw m 10 p.1.5x25
			1083 <- X EXPLORER 75 T
			1010 <- X EXPLORER 75 TB
			1054 <- X EXPLORER 85 T
			1008 <- X EXPLORER 85 TB
			1066 <- X EXPLORER 95 T
			1057 <- X EXPLORER 95 TB
12	2.0422.303.2	2	stud bolt m 10x22
			-> 1084 X EXPLORER 75T
			-> 1011 X EXPLORER 75TB
			-> 1055 X EXPLORER 85T
			-> 1009 X EXPLORER 85TB
			-> 1067 X EXPLORER 95T
			-> 1058 X EXPLORER 95TB
13	2.1011.103.2	4	nut m 6 p.1
14	2.1470.006.2	2	lock washer 10
15	2.1475.003.2	4	washer 10.5x20
16	2.1011.106.2	2	nut m 10 p.1.5
			-> 1084 X EXPLORER 75T
			-> 1011 X EXPLORER 75TB
			-> 1055 X EXPLORER 85T
			-> 1009 X EXPLORER 85TB
			-> 1067 X EXPLORER 95T
			-> 1058 X EXPLORER 95TB



9_C2376_03_0_0

Section: BODY WORK
INFORMATION PLATE

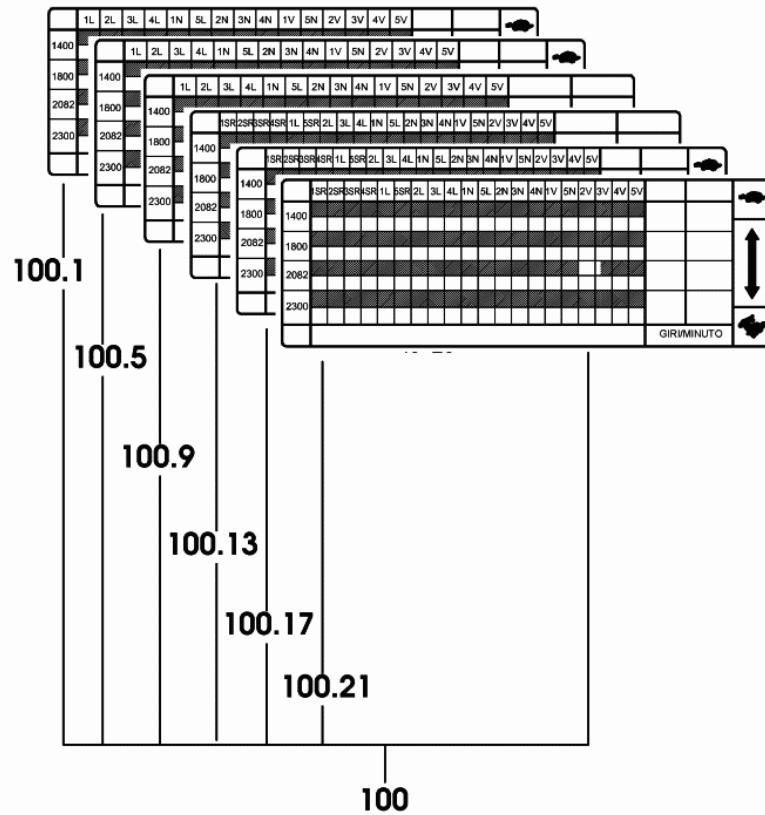
Fig.	Code	QTY	Name
1	2.9929.699.0	1	plate
2	2.9929.848.0	1	plate
3	2.9929.854.0	1	plate
4	2.9929.792.0	1	plate
5	2.9929.791.0	1	plate
7	2.9929.853.0	1	plate
8	2.9929.794.0	1	plate
9	2.9929.847.0	1	plate
10	2.9929.754.0	1	plate
11	2.9929.860.0	1	plate
12	2.9929.702.0	1	plate
13	2.9929.861.0	1	plate
14	2.9929.859.0	2	plate
15	2.9929.793.0	1	plate
16	2.9929.862.0	1	plate
17	2.9929.855.0/20	1	plate
18	2.9929.566.0	1	plate " CE "
19	2.9929.856.0	1	plate
20	2.9929.544.0	1	plate
21	2.9929.852.0	1	plate
23	2.9929.858.0	1	plate



9_C2374_27_0_0

SPEED LABEL 30 Km/h 18.4 R34

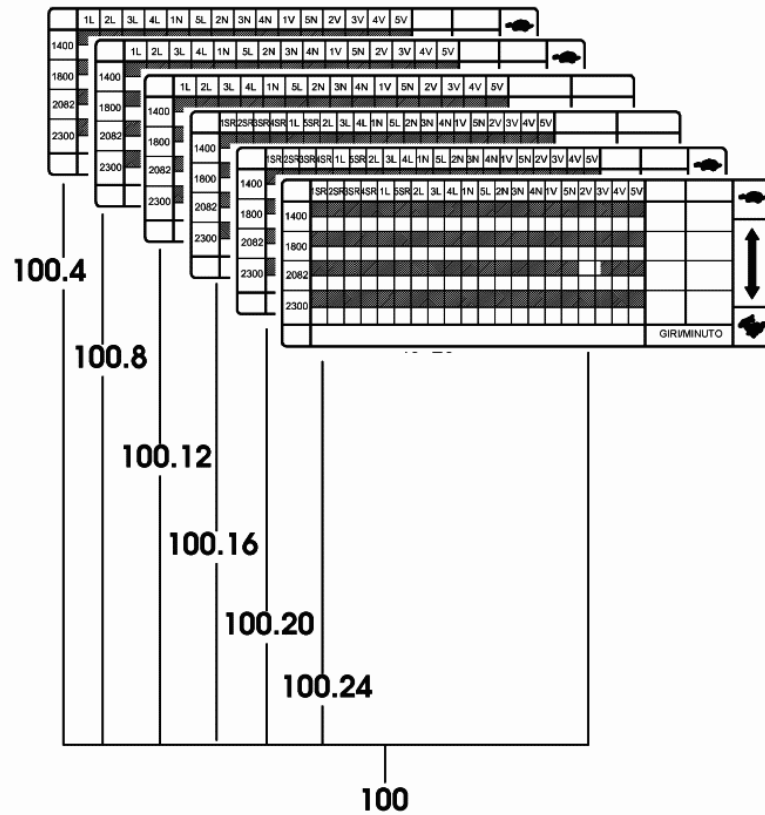
Fig.	Code	QTY	Name
100	0.000.0000.1	0	not serviceable
100.1	2.9939.088.0	1	plate 30 + 30
100.5	2.9939.092.0	1	plate 30 + 15
100.9	2.9939.096.0	1	plate 15 + 15
100.13	2.9939.100.0	1	plate 20 + 20
100.17	2.9939.104.0	1	plate 40 + 20
100.21	2.9939.108.0	1	plate 40 + 40



9_C2374_50_0_G

SPEED LABEL 40 Km/h 18.4 R34

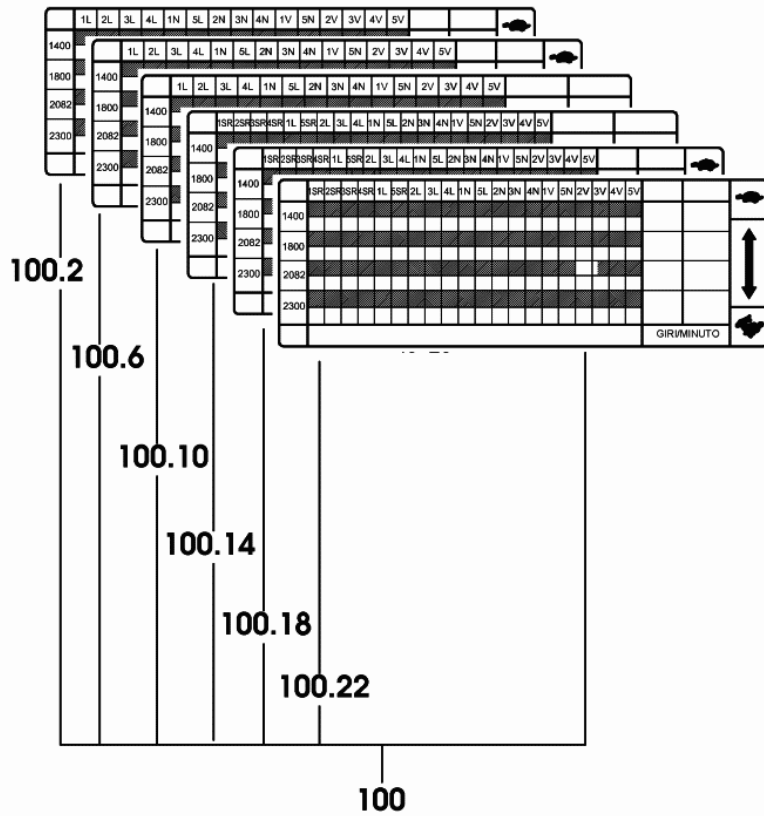
Fig.	Code	QTY	Name
100	0.000.0000.1	0	not serviceable
100.4	2.9939.091.0	1	plate 30 + 30
100.8	2.9939.095.0	1	plate 30 + 15
100.12	2.9939.099.0	1	plate 15 + 15
100.16	2.9939.103.0	1	plate 20 + 20
100.20	2.9939.107.0	1	plate 40 + 20
100.24	2.9939.111.0	1	plate 40 + 40



9_C2374_50_0_H

SPEED LABEL 18 MPH 18,4 R34 EXPORT U.S.A

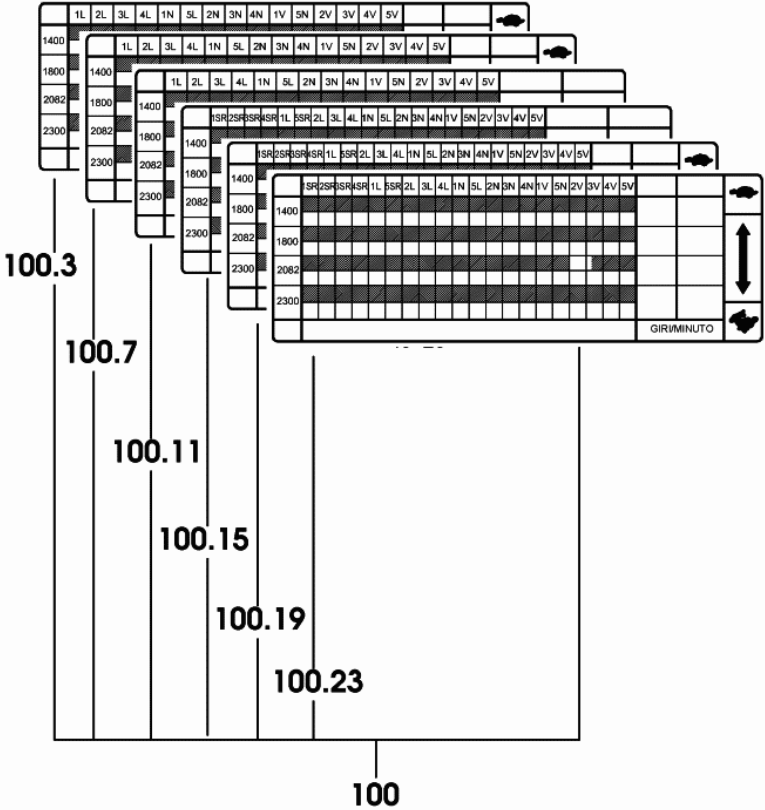
Fig.	Code	QTY	Name
100	0.000.0000.1	0	not serviceable
100.2	2.9939.089.0	1	plate 30 + 30
100.6	2.9939.093.0	1	plate 30 + 15
100.10	2.9939.097.0	1	plate 15 + 15
100.14	2.9939.101.0	1	plate 20 + 20
100.18	2.9939.105.0	1	plate 40 + 20
100.22	2.9939.109.0	1	plate 40 + 40



9_C2374_50_0_I

Section: BODY WORK
SPEED LABEL 25 MPH 18.4 R34 EXPORT U.S.A.

Fig.	Code	QTY	Name
100	0.000.0000.1	0	not serviceable
100.3	2.9939.090.0	1	plate 30 + 30
100.7	2.9939.094.0	1	plate 30 + 15
100.11	2.9939.098.0	1	plate 15 + 15
100.15	2.9939.102.0	1	plate 20 + 20
100.19	2.9939.106.0	1	plate 40 + 20
100.23	2.9939.110.0	1	plate 40 + 40



9_C2374_50_0_L

Section: BODY WORK

SPEED LABEL - 40 KM/H - REFLEX

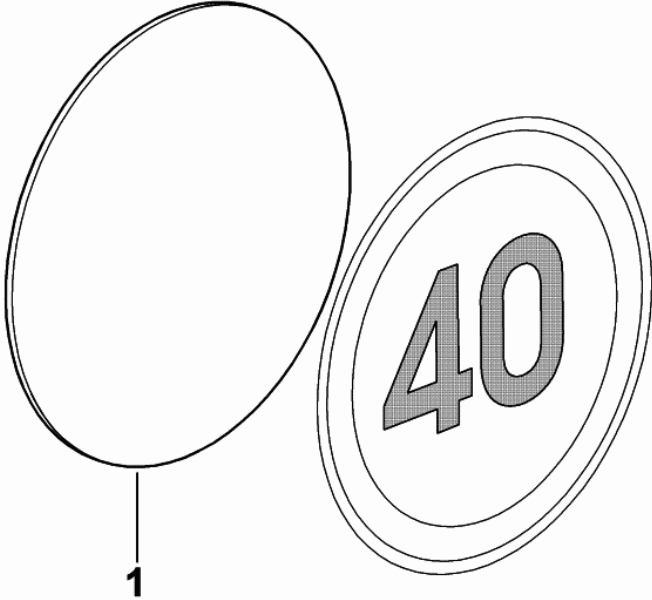
Fig.	Code	QTY	Name
1	0.010.9969.0	1	disc 40 Km/h



1

Section: BODY WORK
BRACKET - SPEED LABEL

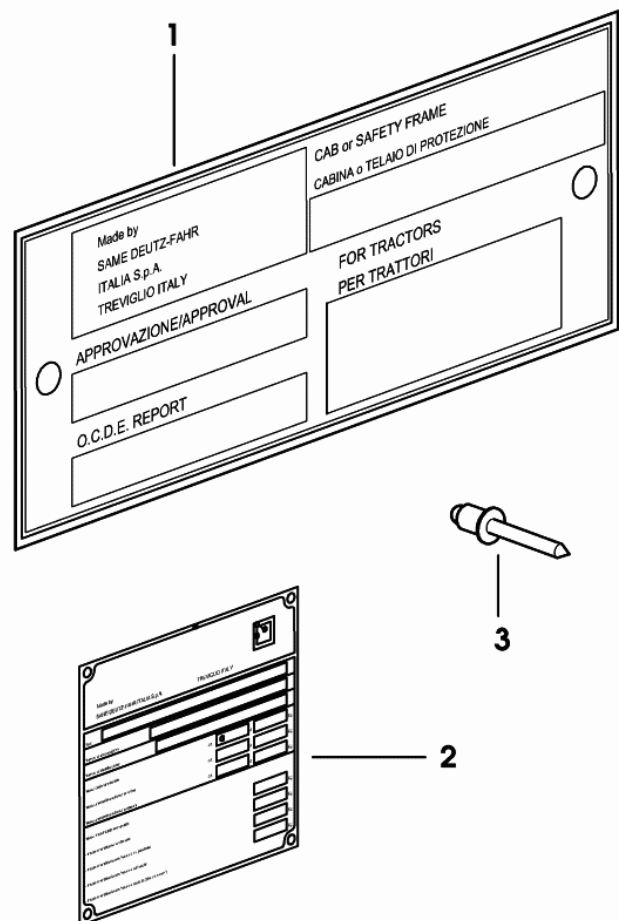
Fig.	Code	QTY	Name
1	0.011.0006.2/10	1	support



Section: BODY WORK

PLATES

Fig.	Code	QTY	Name
1	2.9919.966.0/30	1	plate
2	0.000.0000.1	0	not serviceable
3	2.1856.304.0	4	rivet mm 4

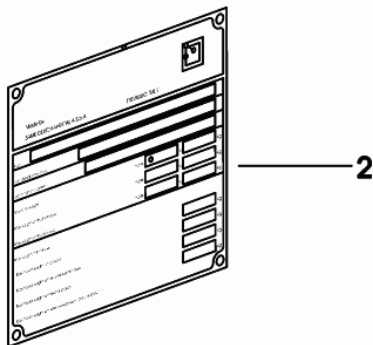
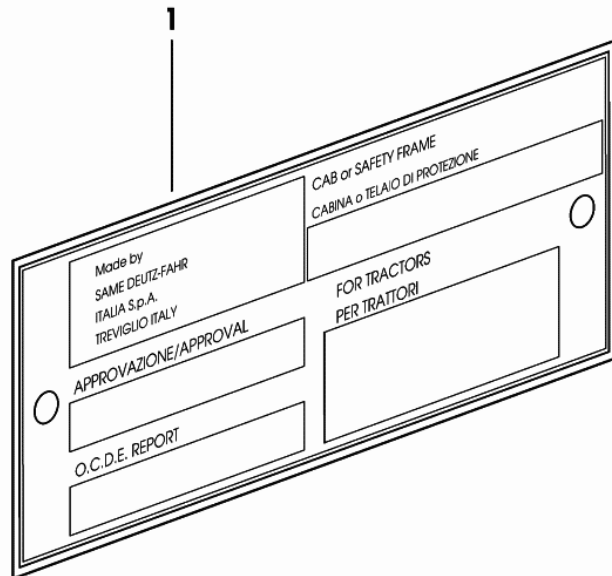


9_70274_20_0_0

Section: BODY WORK

PLATES OCDE

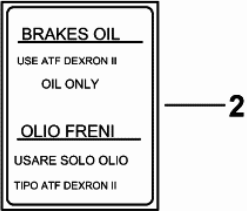
Fig.	Code	QTY	Name
1	2.9919.966.0/30	1	plate
2	0.000.0000.1	0	not serviceable



9_70274_24_0_0

Section: BODY WORK
INFORMATION PLATE

Fig.	Code	QTY	Name
1	2.9929.566.0	1	plate " CE "
2	2.9929.684.0	1	plate



Section: BODY WORK
THROTTLE

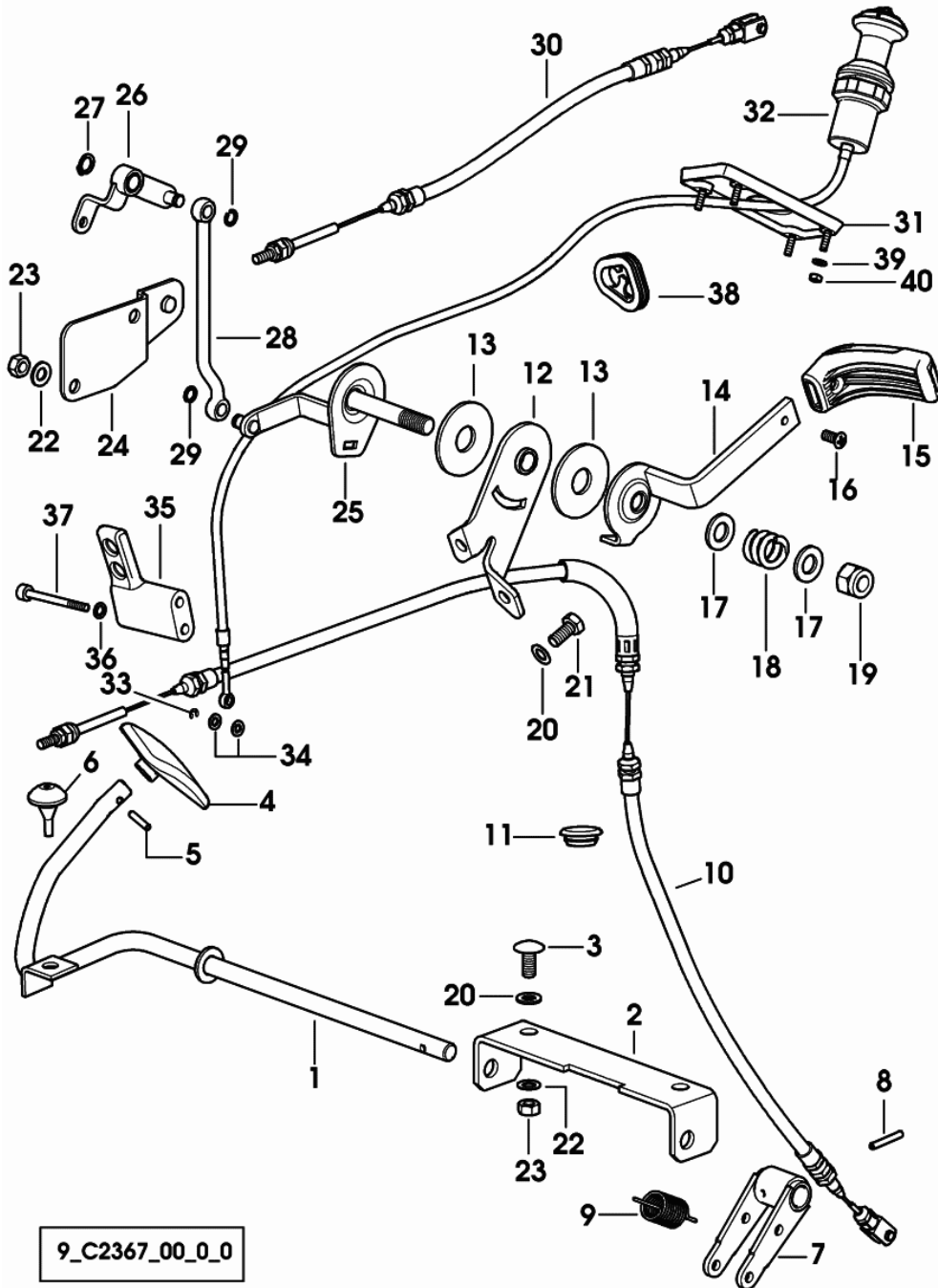


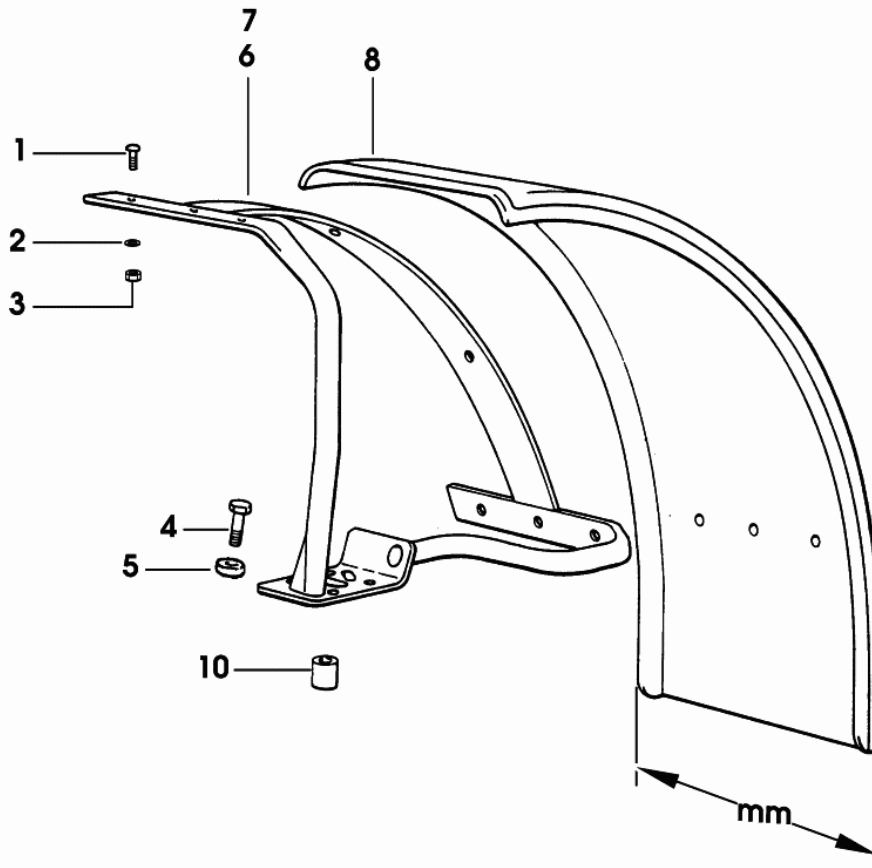
Fig.	Code	QTY	Name
1	0.013.3404.3/10	1	lever
2	0.201.6754.0/20	1	bracket
3	2.0020.205.2	2	screw m 8 p.1.25x20
4	0.008.8521.2/10	1	accel. pedal
5	2.1630.410.0	1	roll pin 4x20
6	0.255.7265.0	1	block
7	0.013.5953.3/10	1	lever
8	2.1630.412.9	1	roll pin
9	2.4049.071.2	1	spring 19x52x2
10	0.013.5946.3	1	rod
11	2.6070.050.0	1	plug
12	0.013.5960.2/10	1	bracket
13	2.1569.044.0	2	gasket 17.5x50x3
14	0.013.5949.3	1	lever
15	0.013.3896.0	1	knob
16	2.0322.405.6	1	screw m 6x14
17	2.1310.007.2	2	flat washer 13x24
18	2.4019.022.2	1	spring 23x20x4.5
19	2.1120.007.2	1	nut m 12 p.1.75
20	2.1470.004.2	4	lock washer 8
21	2.0112.206.2	2	screw m 8 p.1.25x18
22	2.1310.004.2	4	flat washer 8.4x16
23	2.1011.105.2	4	nut m 8 p.1.25
24	0.013.5950.2/20	1	bracket
25	0.013.5961.3/10	1	pin
26	0.013.5962.3	1	transmission
27	2.1410.001.1	1	circlip 10
28	0.014.4238.0	1	rod
29	2.1410.063.1	2	circlip 8
30	0.013.5947.3	1	rod
31	0.012.6144.3	1	plug
32	0.013.5948.3	1	rod
33	2.1430.004.7	2	circlip 3.2
34	2.1310.001.2	2	flat washer 5.3x10
35	0.013.5942.0/20	1	lever
36	2.1480.012.2	2	washer 6
37	2.0312.117.3	2	screw
38	0.013.5951.0	1	rubber plug
39	2.1310.028.2	4	flat washer 4.3x9
40	2.1011.101.2	4	nut m 4

9_C2367_00_0_0

Section: BODY WORK

4WD - FRONT MUDGUARDS mm 355 24"

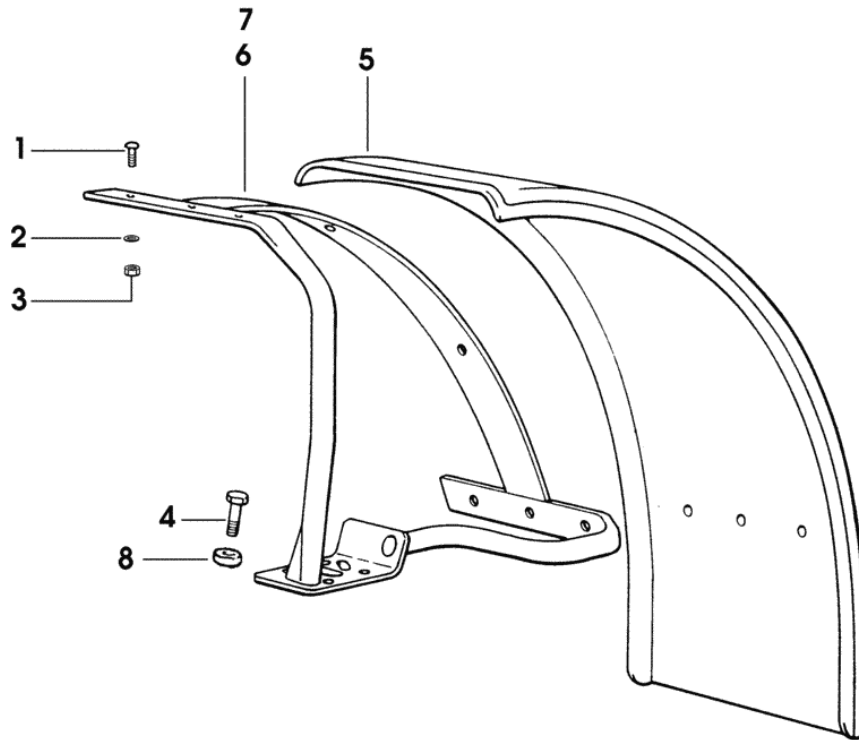
Fig.	Code	QTY	Name
1	2.0029.503.6	16	screw m 8x25
2	2.1470.004.2	16	lock washer 8
3	2.1011.105.2	16	nut m 8 p.1.25
4	2.0112.423.2	8	screw m 12 p.1.75x70
5	2.1599.484.2	8	spacer 13x26x4
6	0.290.7665.2	1	support sx
7	0.290.7664.2	1	support dx
8	0.255.7632.0/10	2	fender mm 355
10	2.1579.984.2	8	spacer 13x30x25



Section: BODY WORK

4WD - FRONT MUDGUARDS mm 355 28"

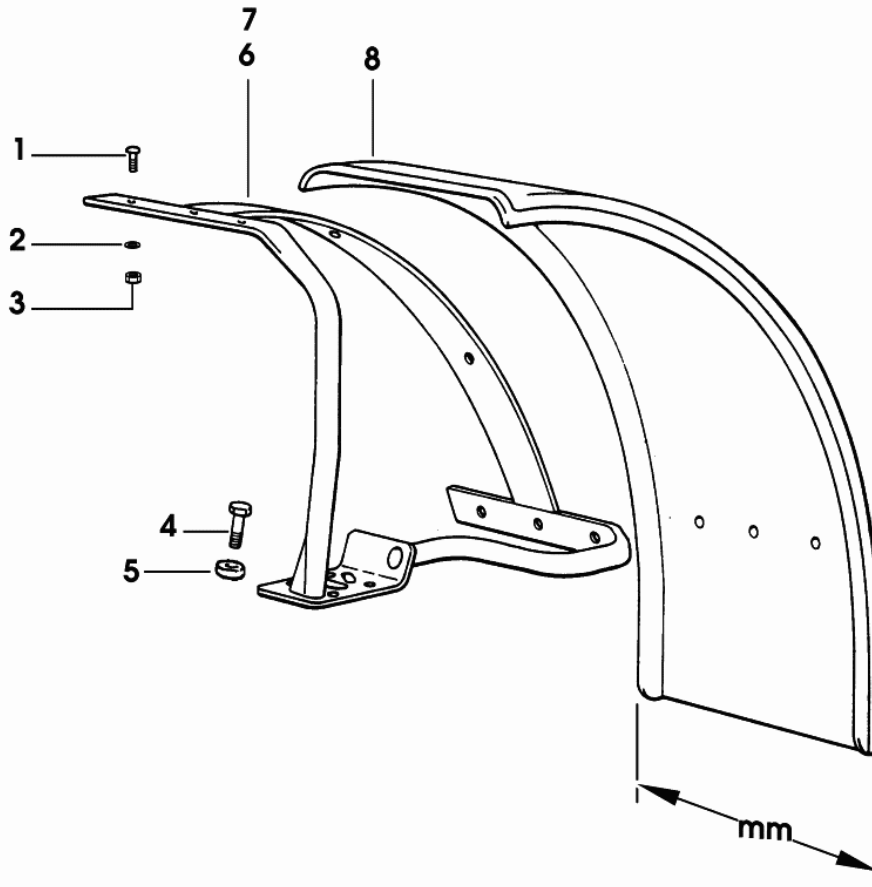
Fig.	Code	QTY	Name
1	2.0029.503.6	16	screw m 8x25
2	2.1470.004.2	16	lock washer 8
3	2.1011.105.2	16	nut m 8 p.1.25
4	2.0112.417.2	8	screw m 12 p.1.75x45
5	0.255.7632.0/10	2	fender mm 355
6	0.290.7667.2	1	support sx
7	0.290.7666.2	1	support dx
8	2.1599.484.2	8	spacer 13x26x4



Section: BODY WORK

4WD - FRONT MUDGUARDS mm 400

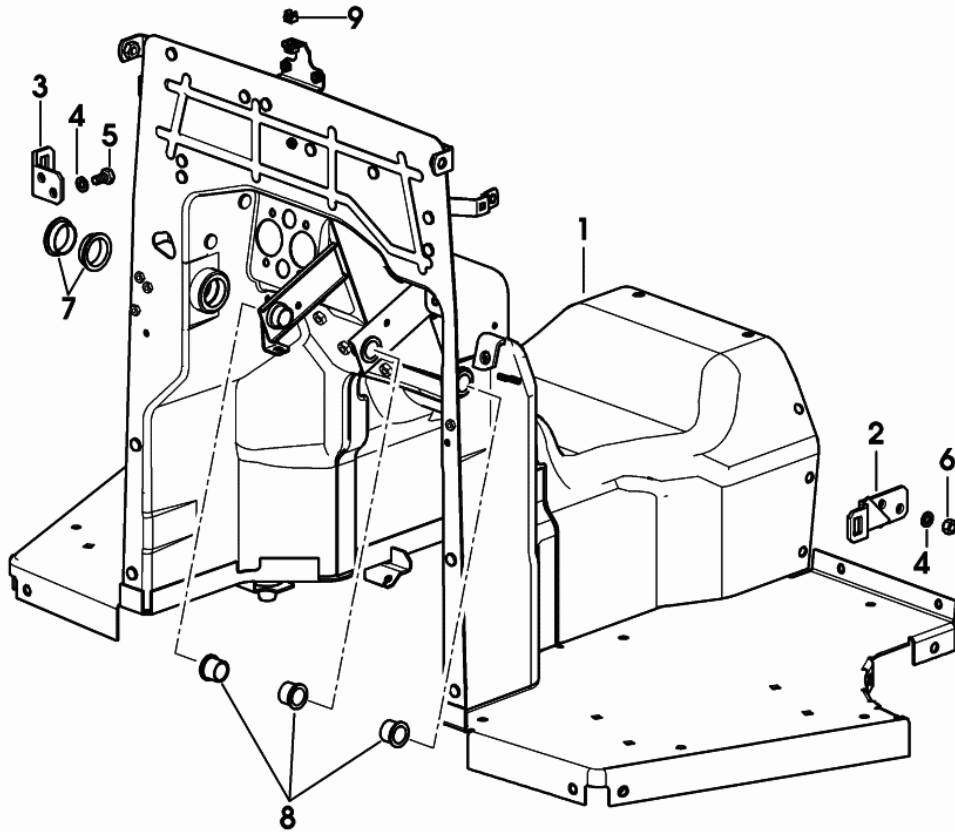
Fig.	Code	QTY	Name
1	2.0029.503.6	16	screw m 8x25
2	2.1470.004.2	16	lock washer 8
3	2.1011.105.2	16	nut m 8 p.1.25
4	2.0112.417.2	8	screw m 12 p.1.75x45
5	2.1599.484.2	8	spacer 13x26x4
6	0.290.7667.2	1	support sx
7	0.290.7666.2	1	support dx
8	0.202.7632.0/20	2	fender mm 400



Section: BODY WORK

PLATFORM

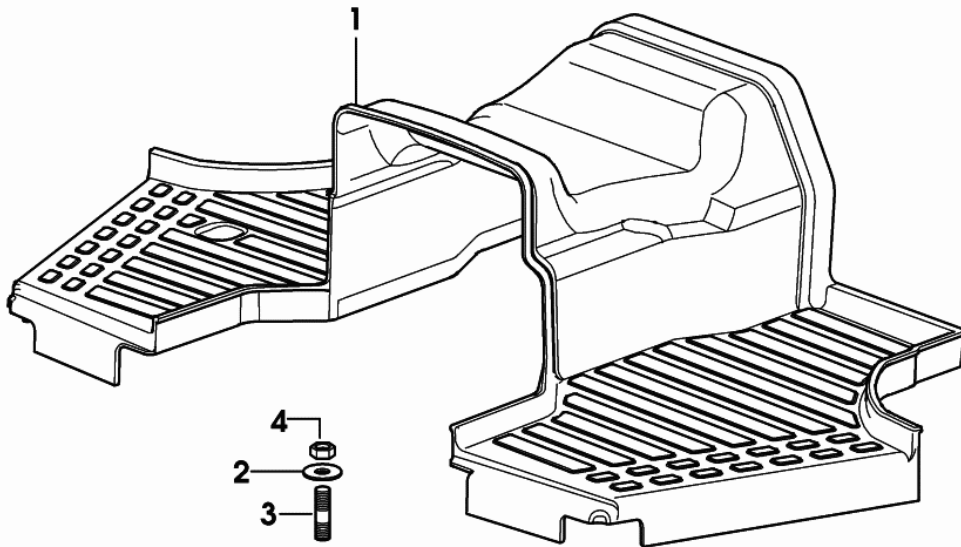
Fig.	Code	QTY	Name
1	0.013.1913.3/50	1	platform
2	0.014.1479.0	1	bracket
3	0.014.1480.0	1	bracket
4	2.1470.002.2	4	lock washer 6
5	2.0112.003.2	2	screw m 6 p.1x12
6	2.1011.103.2	2	nut m 6 p.1
7	2.1559.272.0	2	bushing 33x45x12
8	2.1559.271.0	3	sleeve 20x30x20
9	2.6999.031.2	1	special nut m 6



9_C2376_00_0_0

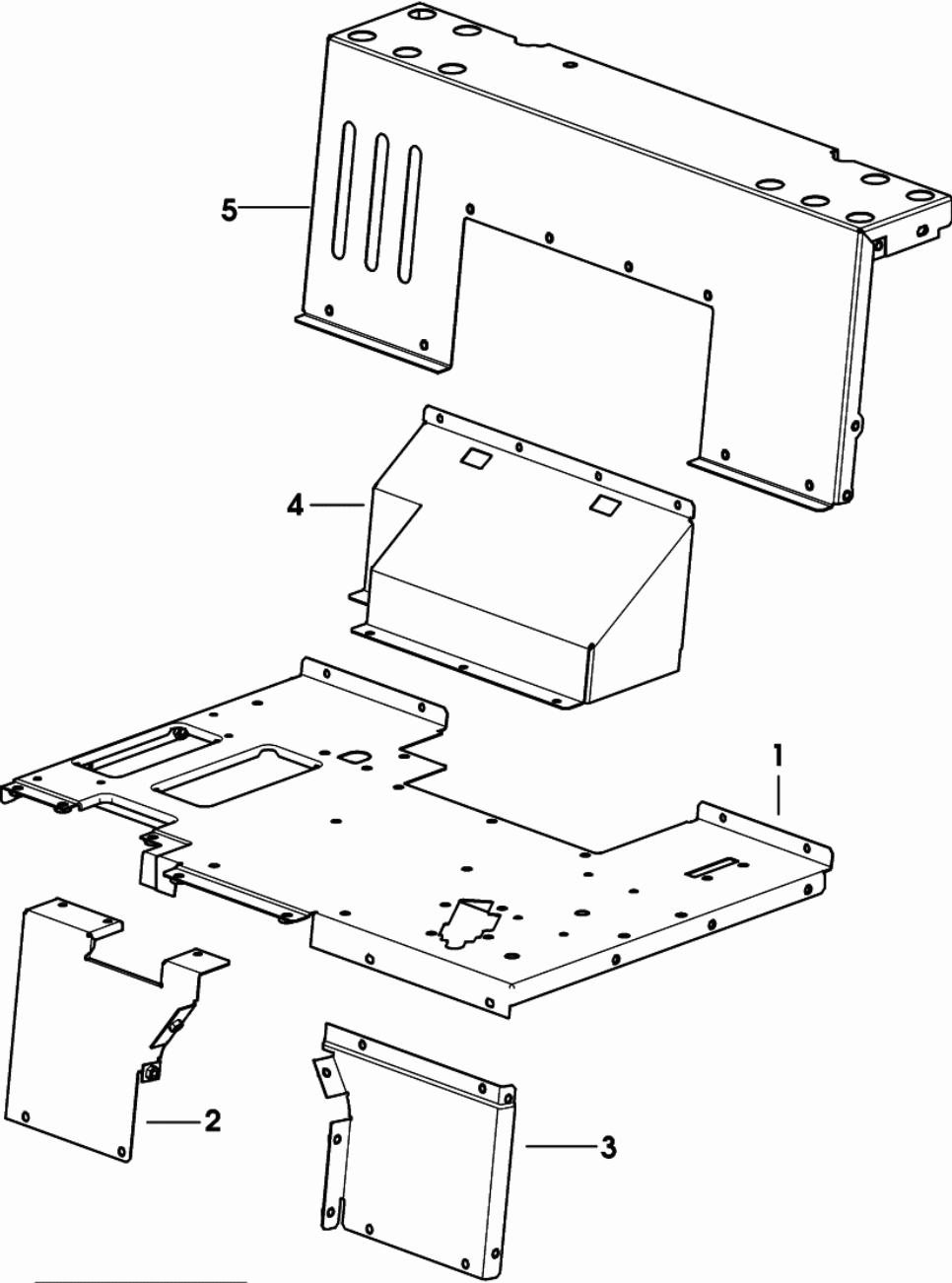
Section: BODY WORK
MAT FOR PLATOFRM

Fig.	Code	QTY	Name
1	0.014.3235.2/10	1	small carpet
2	2.1599.545.2	10	washer 6.5x28x2
3	2.0422.001.2	10	stud bolt m 6x16
4	2.1011.103.2	10	nut m 6 p.1



Section: BODY WORK
SUPPORTS

Fig.	Code	QTY	Name
1	0.013.1898.3/60	1	division
2	0.014.2603.3	1	division
3	0.013.1895.3/20	1	division
4	0.013.1896.2/20	1	cover
5	0.013.1897.3/60	1	division



9_C2376_01_0_0

Section: BODY WORK

SUPPORTS

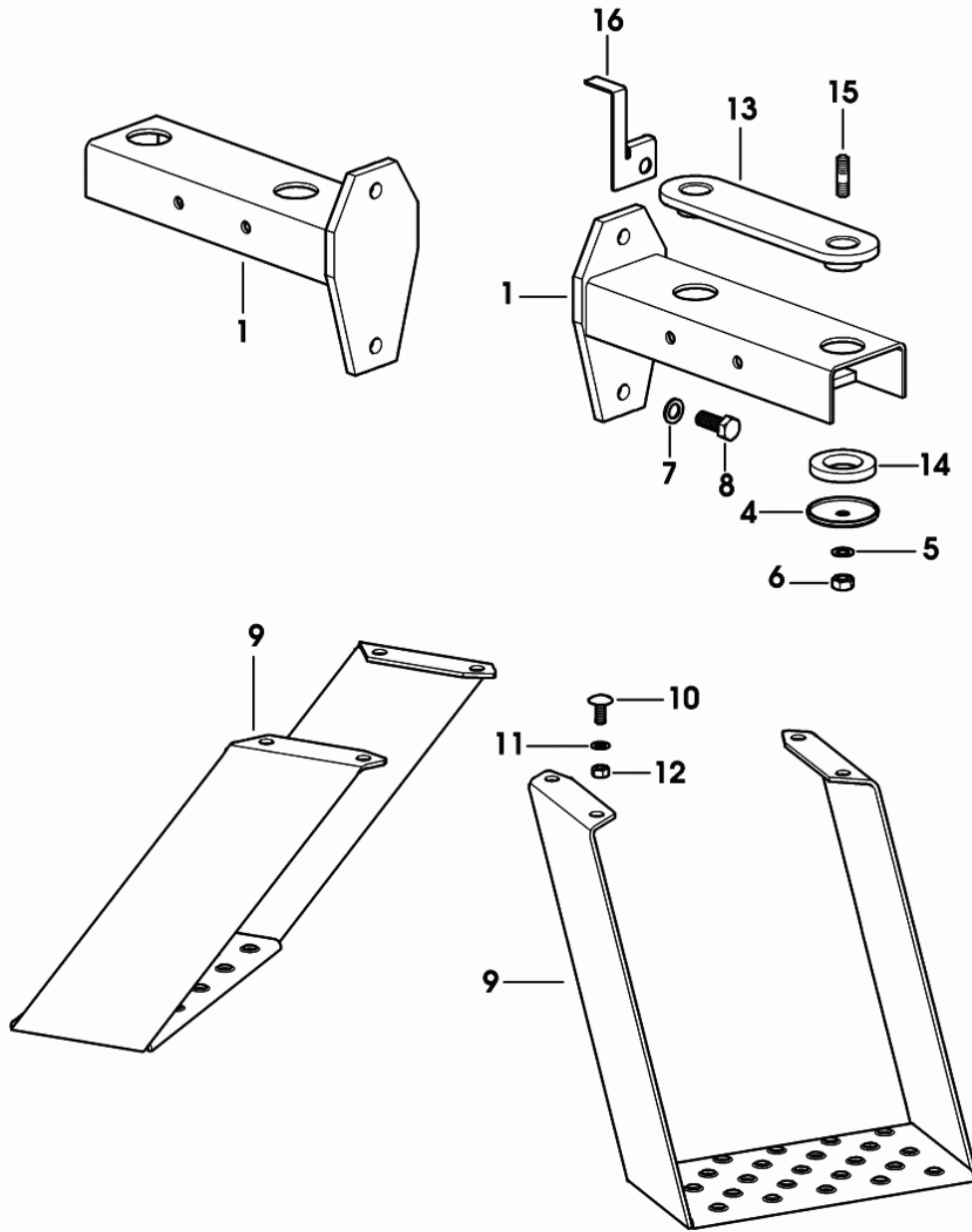
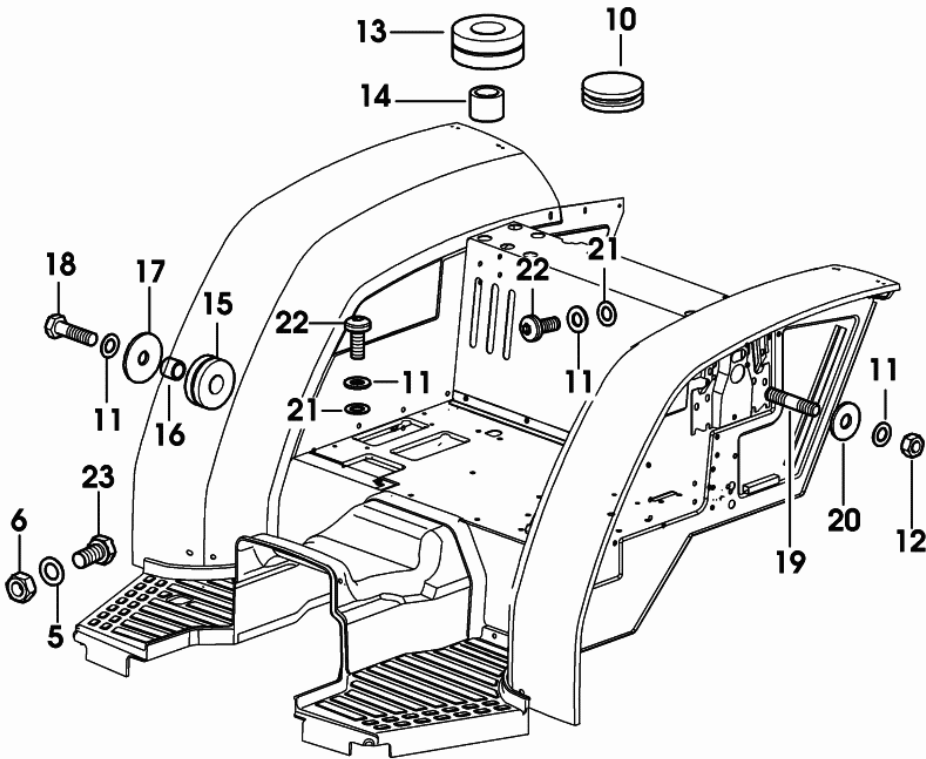


Fig.	Code	QTY	Name
1	0.013.2041.2/10	2	support
4	0.243.7260.0/10	4	cup
5	2.1470.006.2	4	lock washer 10
6	2.1011.106.2	4	nut m 10 p.1.5
7	2.1470.007.2	4	lock washer 12
8	2.0112.411.2	4	screw m 12 p.1.75x30
9	0.014.1138.2	2	foot board
10	2.0020.205.2	8	screw m 8 p.1.25x20
11	2.1470.004.2	4	lock washer 8
12	2.1011.105.2	8	nut m 8 p.1.25
13	0.014.2605.0	2	block
14	0.014.2609.0	4	rubber plug
15	2.0422.303.2	4	stud bolt m 10x22
16	0.014.2757.0	1	bracket

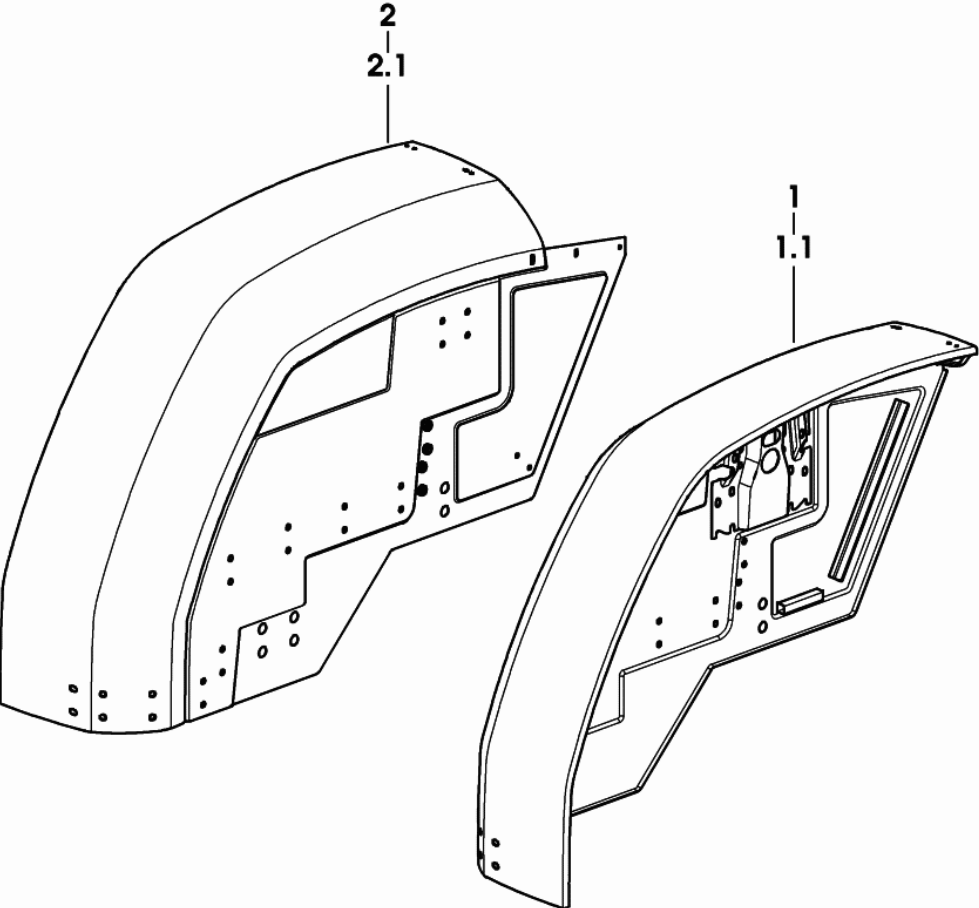
Section: BODY WORK
FENDER MOUNTINGS

Fig.	Code	QTY	Name
5	2.1470.006.2	8	lock washer 10
6	2.1011.106.2	8	nut m 10 p.1.5
10	2.3199.115.0	2	plug 38x12
11	2.1470.004.2	50	lock washer 8
12	2.1011.105.2	6	nut m 8 p.1.25
13	0.007.5607.0	8	rubber plug
14	2.1549.623.2/10	8	spacer 14.25x21x16
15	0.157.7693.0	4	rubber plug
16	2.1579.120.2	4	spacer 8.8x12x9.5
17	2.1599.245.0	4	snoulder 8.5x32x2
18	2.0112.211.2	2	screw m 8 p.1.25x30
19	2.0422.207.2	6	stud bolt m 8x30
20	2.1312.004.2	4	washer 9x24
21	2.1310.004.2	40	flat washer 8.4x16
22	2.0330.507.2	42	screw m 8x20
23	2.0112.307.2	8	screw m 10 p.1.5x20



Section: BODY WORK
REAR MUDGUARDS

Fig.	Code	QTY	Name
1	0.000.0000.1	0	not serviceable
1.1	0.013.1904.3/10	1	fender sx
2	0.000.0000.1	0	not serviceable
2.1	0.013.1907.3/20	1	fender dx

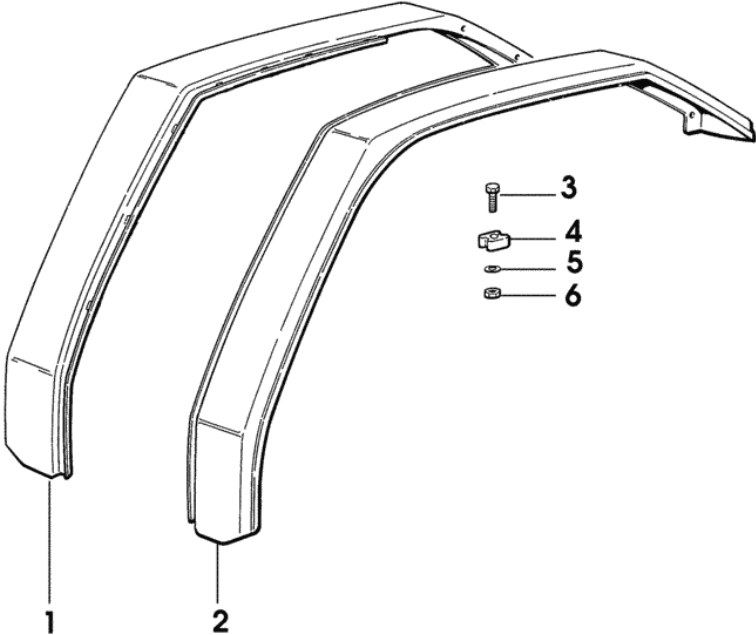


9_C2376_02_0_0

Section: BODY WORK

MUDGUARDS EXTENSIONS mm 185

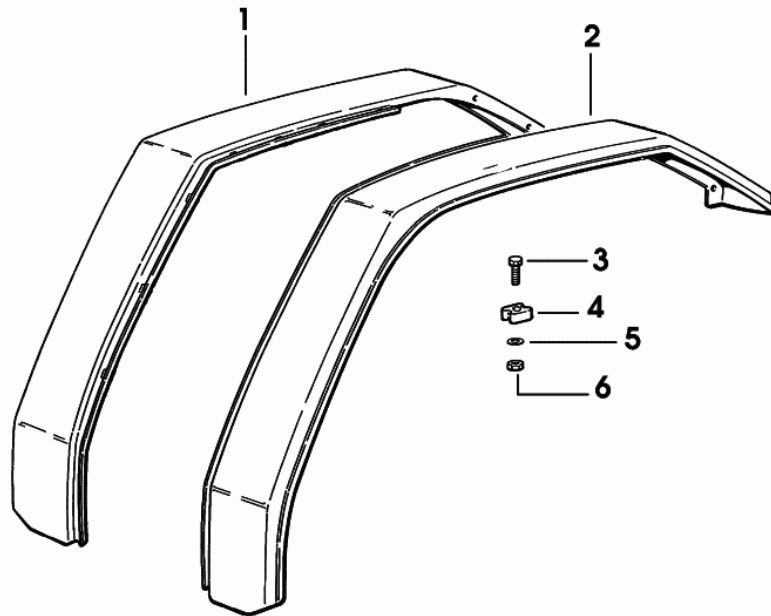
Fig.	Code	QTY	Name
1	0.008.8287.0/10	1	extension dx - mm 185
2	0.008.8288.0/10	1	extension sx mm 185
3	2.0112.207.2	20	screw m 8 p 1.25x20
4	0.007.5537.0	20	small block
5	2.1312.004.2	20	washer 9x24
6	2.1120.105.2	20	selflock nut m 8 p.1.25



Section: BODY WORK

MUDGUARDS EXTENSIONS mm 140

Fig.	Code	QTY	Name
1	0.008.8289.0/40	1	extension dx - mm 140
2	0.008.8290.0/40	1	extension sx mm 140
3	2.0112.207.2	20	screw m 8 p 1.25x20
4	0.007.5537.0	20	small block
5	2.1312.004.2	20	washer 9x24
6	2.1120.105.2	20	selflock nut m 8 p.1.25

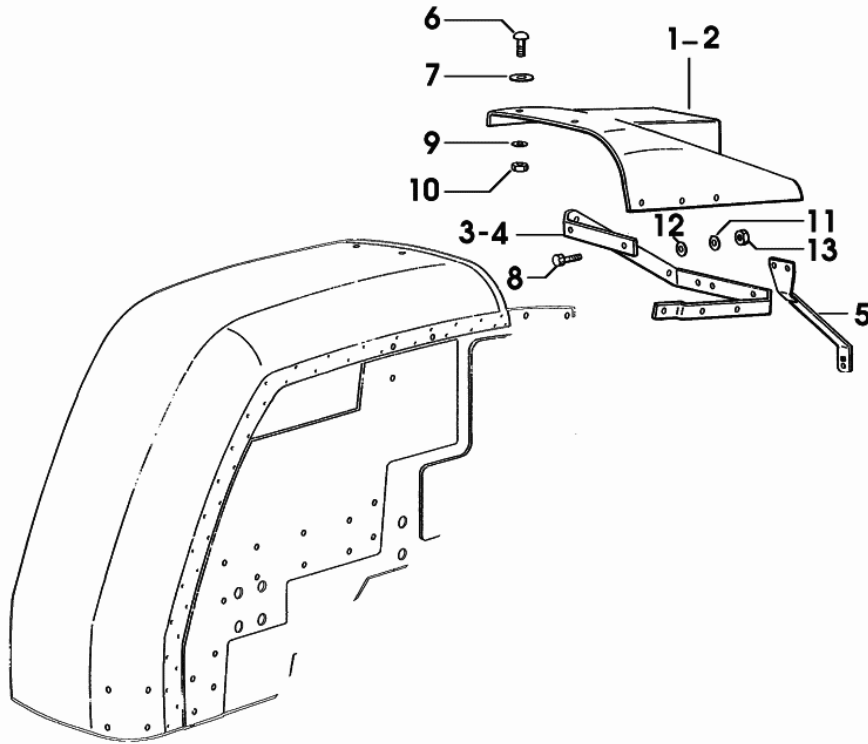


9_50876_25_0_0

Section: BODY WORK

FENDERS

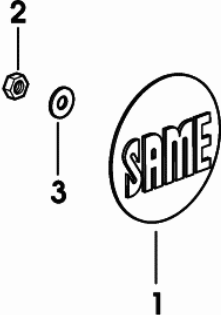
Fig.	Code	QTY	Name
1	0.008.8235.0/10	1	splash-guards dx
2	0.008.8236.0/10	1	splash-guards sx
3	0.008.8239.2	1	support dx
4	0.008.8240.2	1	support sx
5	0.007.2717.2	2	support
6	2.0099.014.0/20	22	screw m 6x20
7	2.1569.140.0	22	gasket 6.4x17x1.5
8	2.0112.207.2	4	screw m 8 p 1.25x20
9	2.1310.002.2	22	flat washer 6.4x12.5
10	2.1011.103.2	22	nut m 6 p.1
11	2.1470.004.2	4	lock washer 8
12	2.1310.004.2	8	flat washer 8.4x16
13	2.1011.005.2	4	nut m 8 p.1.25



9_50876_05_0_0

Section: BODY WORK
BADGE FOR SPLASH GUARDS

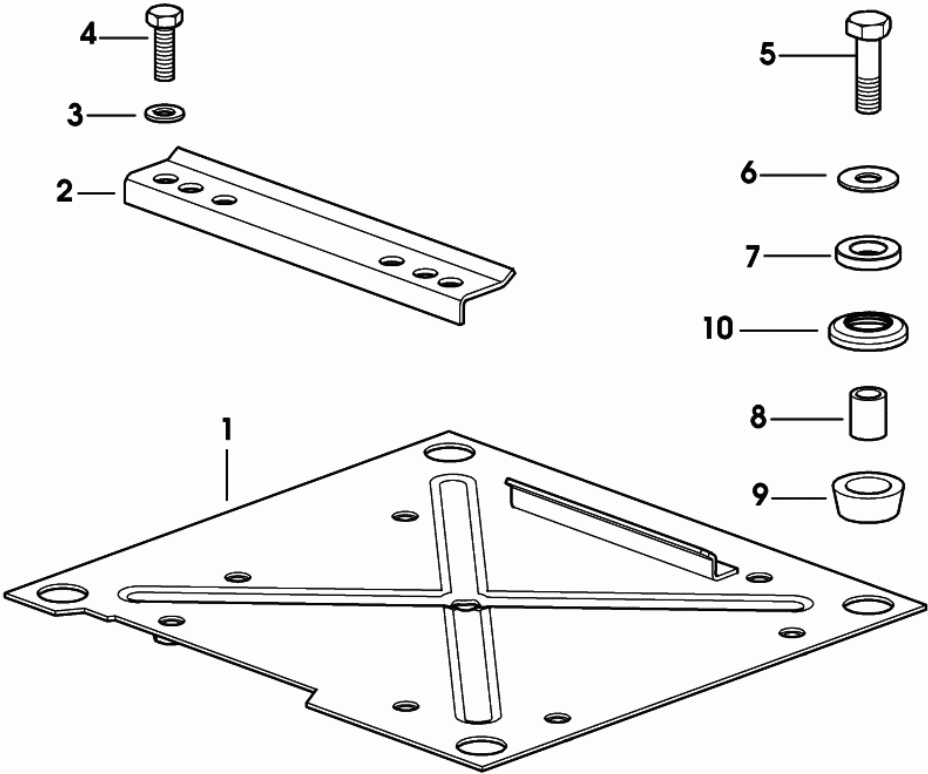
Fig.	Code	QTY	Name
1	2.3199.102.0	2	small cover SAME
2	2.1011.103.2	2	nut m 6 p.1
3	2.1310.002.2	2	flat washer 6.4x12.5



9_B2171_51_0_0

Section: BODY WORK
BATTERY SUPPORT

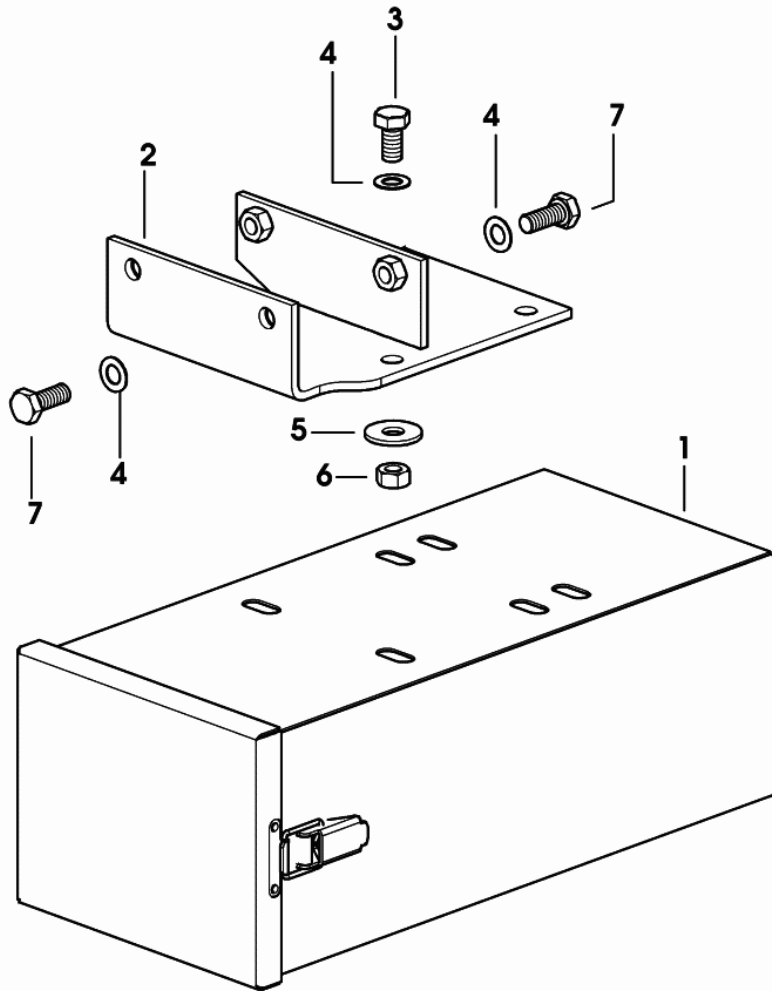
Fig.	Code	QTY	Name
1	0.014.2620.3	1	plate
2	0.007.5411.0/10	1	crosspiece
3	2.1310.004.2	2	flat washer 8.4x16
4	2.0112.209.2	2	screw m 8 p 1.25x25
5	2.0112.313.2	4	screw m 10 p.1.5x35
6	2.1599.044.2	4	snoulder 10.5x25.5x1.5
7	0.136.7387.0	4	rubber plug 15x27x5
8	2.1579.090.2	4	spacer 10.1x15x18
9	0.136.7385.0	4	rubber plug
10	0.136.7384.0	4	cup



9_C2373_03_0_0

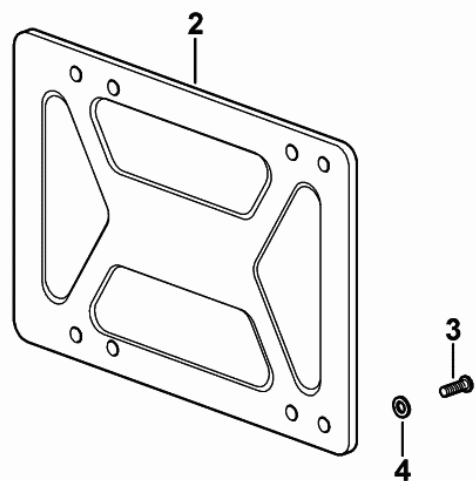
Section: BODY WORK
METAL TOOLBOX

Fig.	Code	QTY	Name
1	0.467.7317.3/70	1	metal toolbox
2	0.014.2753.3	1	bracket
3	2.0112.205.2	4	screw m 8 p.1.25x16
4	2.1470.004.2	4	lock washer 8
5	2.1312.004.2	4	washer 9x24
6	2.1011.105.2	4	nut m 8 p.1.25
7	2.0112.207.2	4	screw m 8 p 1.25x20



Section: BODY WORK
LICENCE PLATE HOLDER

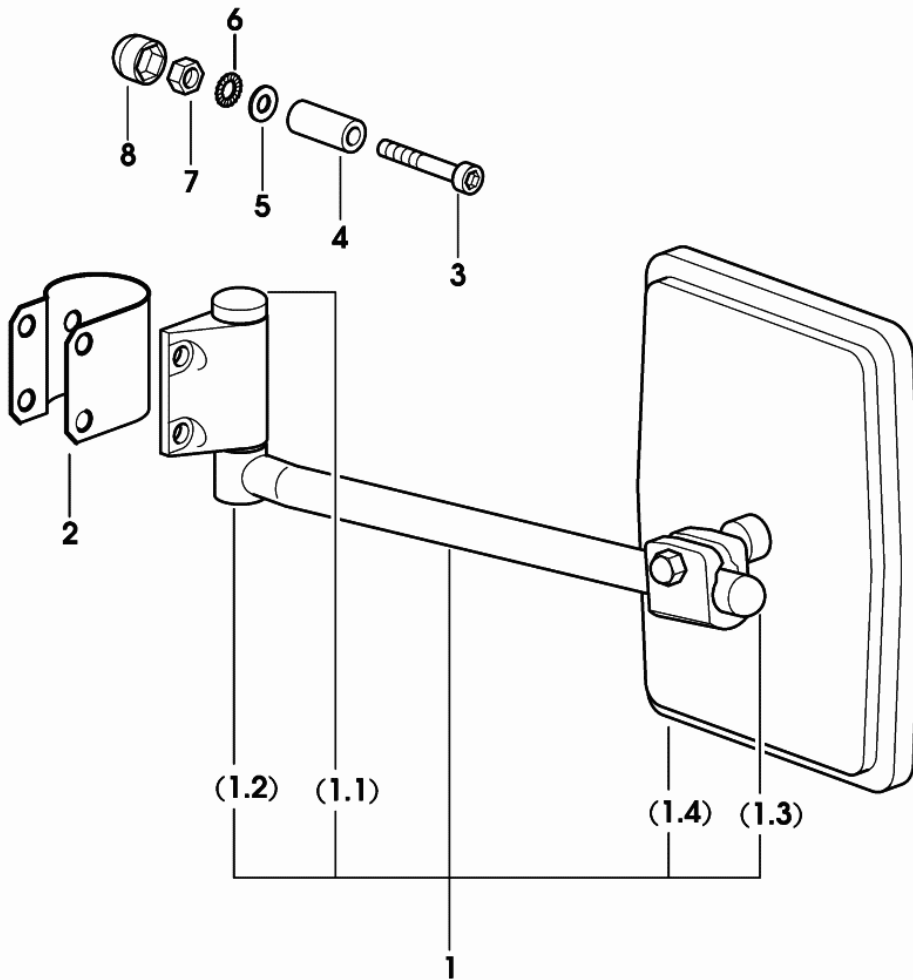
Fig.	Code	QTY	Name
2	0.467.7696.3	1	plate holder
3	2.0332.304.2	4	screw m 5 p.0.8x12
4	2.1310.001.2	4	flat washer 5.3x10



9_49076_60_0_0

Section: BODY WORK
REARVIEW MIRROR dx

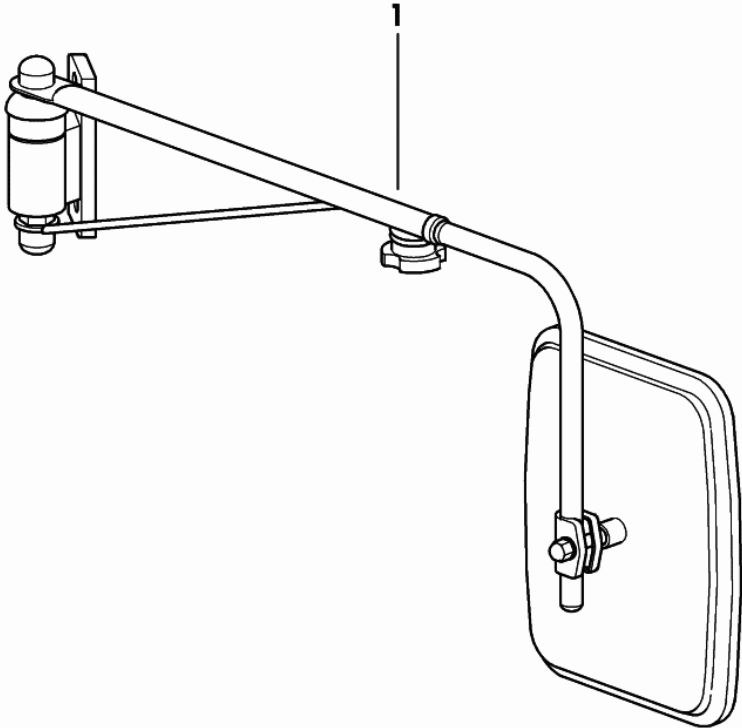
Fig.	Code	QTY	Name
1	0.9234.147.4/10	1	rear view mirror dx ☞ 617 => 617
2	0.011.8753.0	1	bracket
3	2.0312.217.2	2	screw m 8 p.1.25x55
4	2.1579.914.2	2	spacer 9.2x17.2x32
5	2.1310.004.2	2	flat washer 8.4x16
6	2.1474.009.2	2	spring washer 8
7	2.1011.105.2	2	nut m 8 p.1.25
8	0.163.7856.0	2	cap



9_58976_71_0_0

Section: BODY WORK
REARVIEW MIRROR - SX

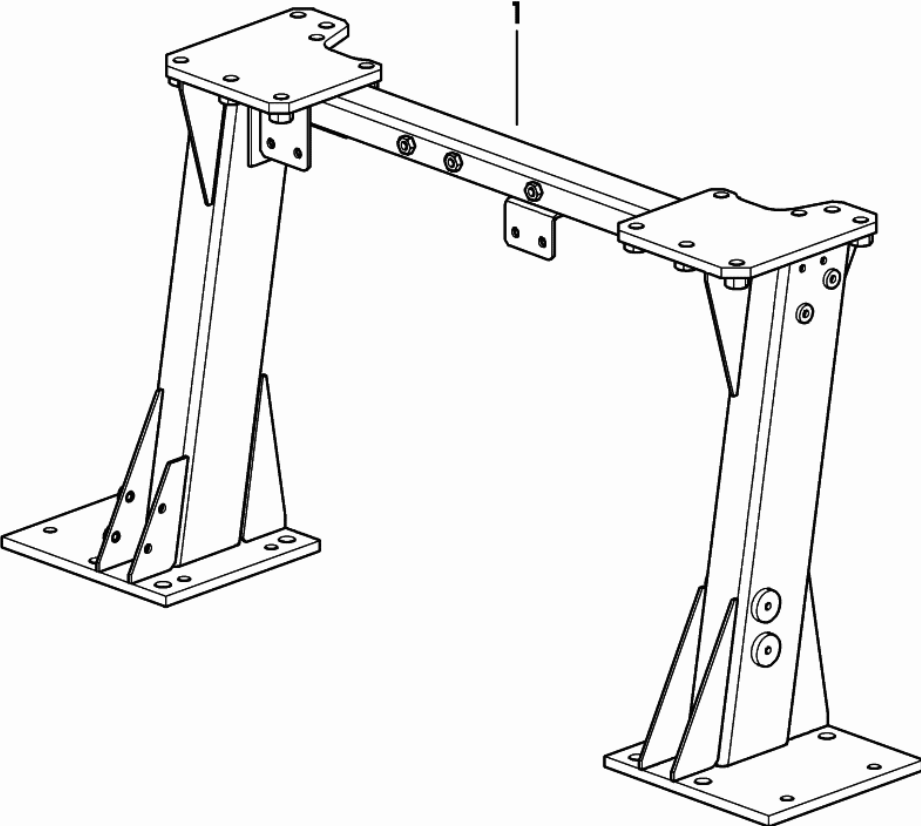
Fig.	Code	QTY	Name
1	0.010.1604.4/40	1	rear view mirror sx ☞ 618 => 618



9_20176_65_0_A

Section: BODY WORK
SAFETY ARCH

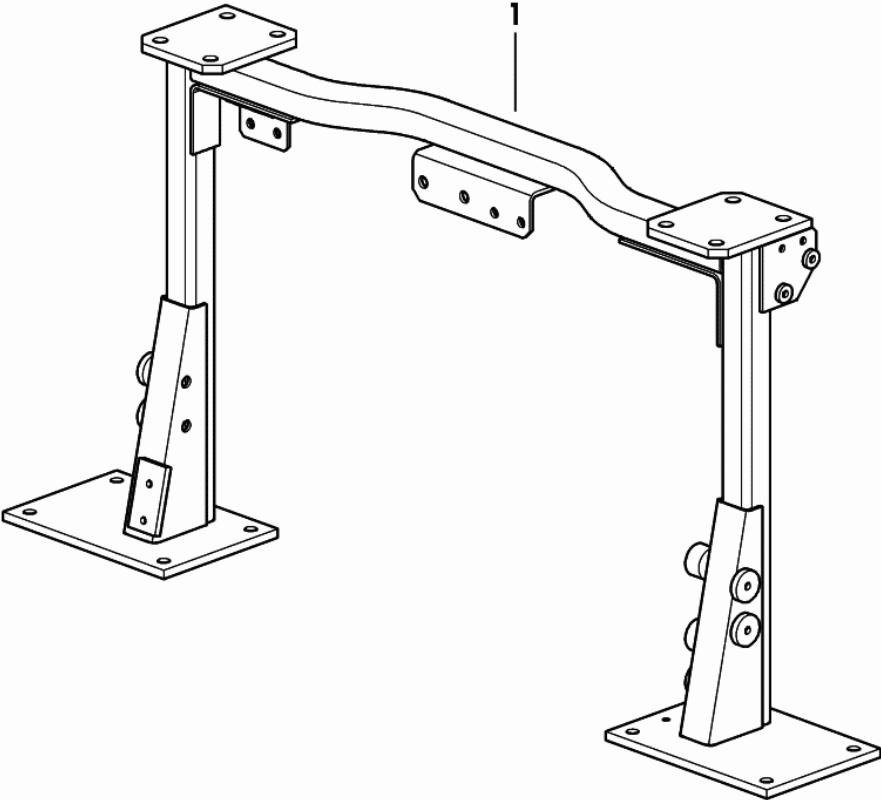
Fig.	Code	QTY	Name
1	0.013.2040.3/40	1	safety frame



9_C2378_05_0_0

Section: BODY WORK
SAFETY ARCH

Fig.	Code	QTY	Name
1	0.014.1141.2/20	1	safety frame

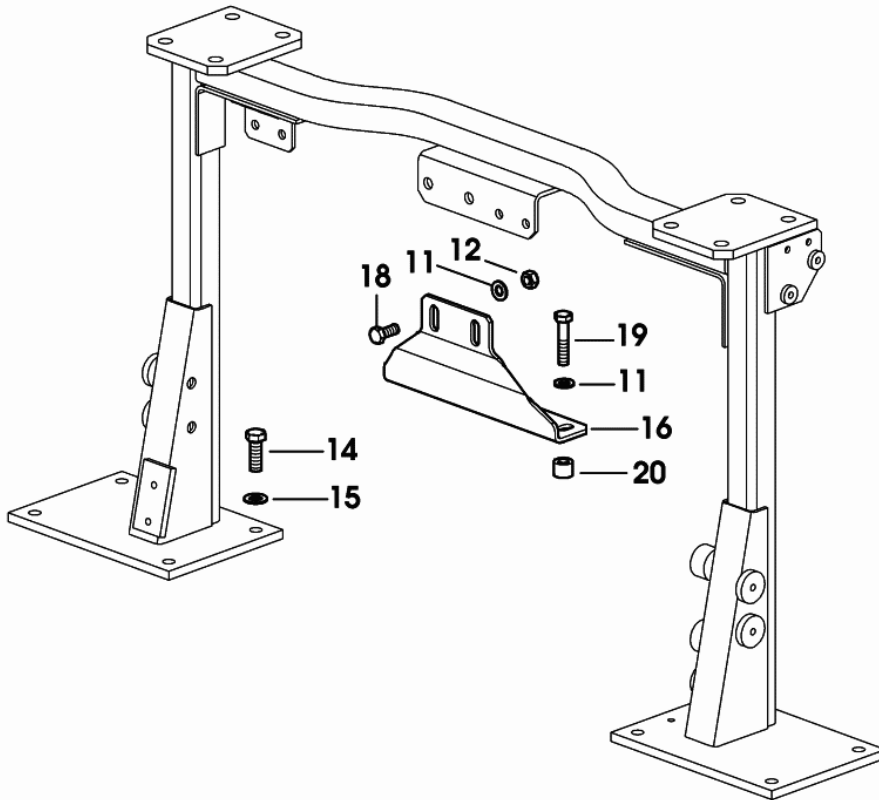


9_C2378_06_0_0

Section: BODY WORK

SAFETY ROLL BAR MOUNTINGS

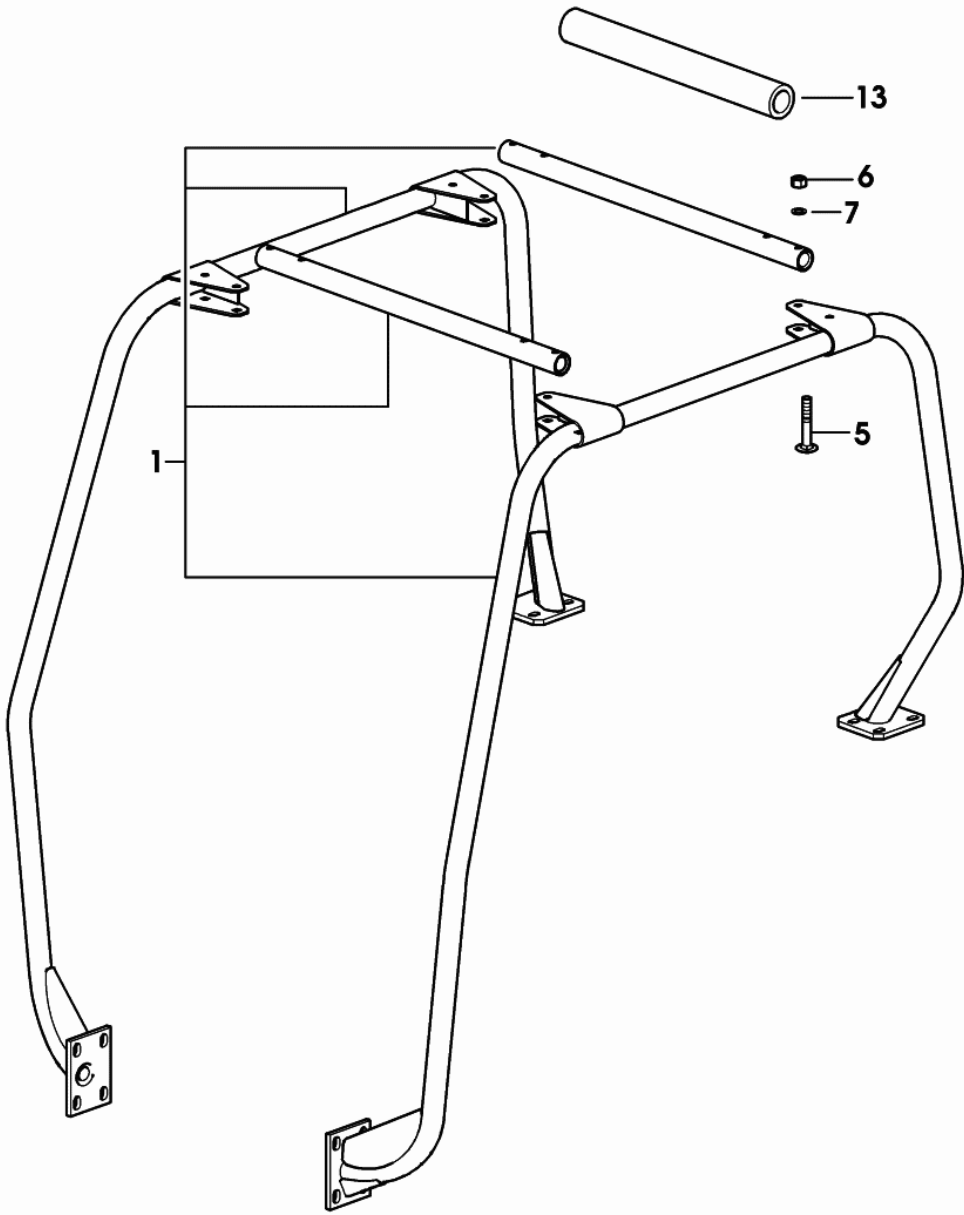
Fig.	Code	QTY	Name
11	2.1475.103.2	4	washer 10.5x20
12	2.1011.106.2	2	nut m 10 p.1.5
14	2.0112.413.2	8	screw m 12 p.1.75x35
15	2.1475.004.2	8	washer 13x24
16	0.014.2706.0	1	bracket
18	2.0112.309.2	2	screw m 10 p.1.5x25
19	2.0112.319.2	2	screw m 10 p.1.5x50
20	2.1579.019.0	2	spacer 11x20x15



9_C2378_02_0_0

Section: BODY WORK
SAFETY ARCH

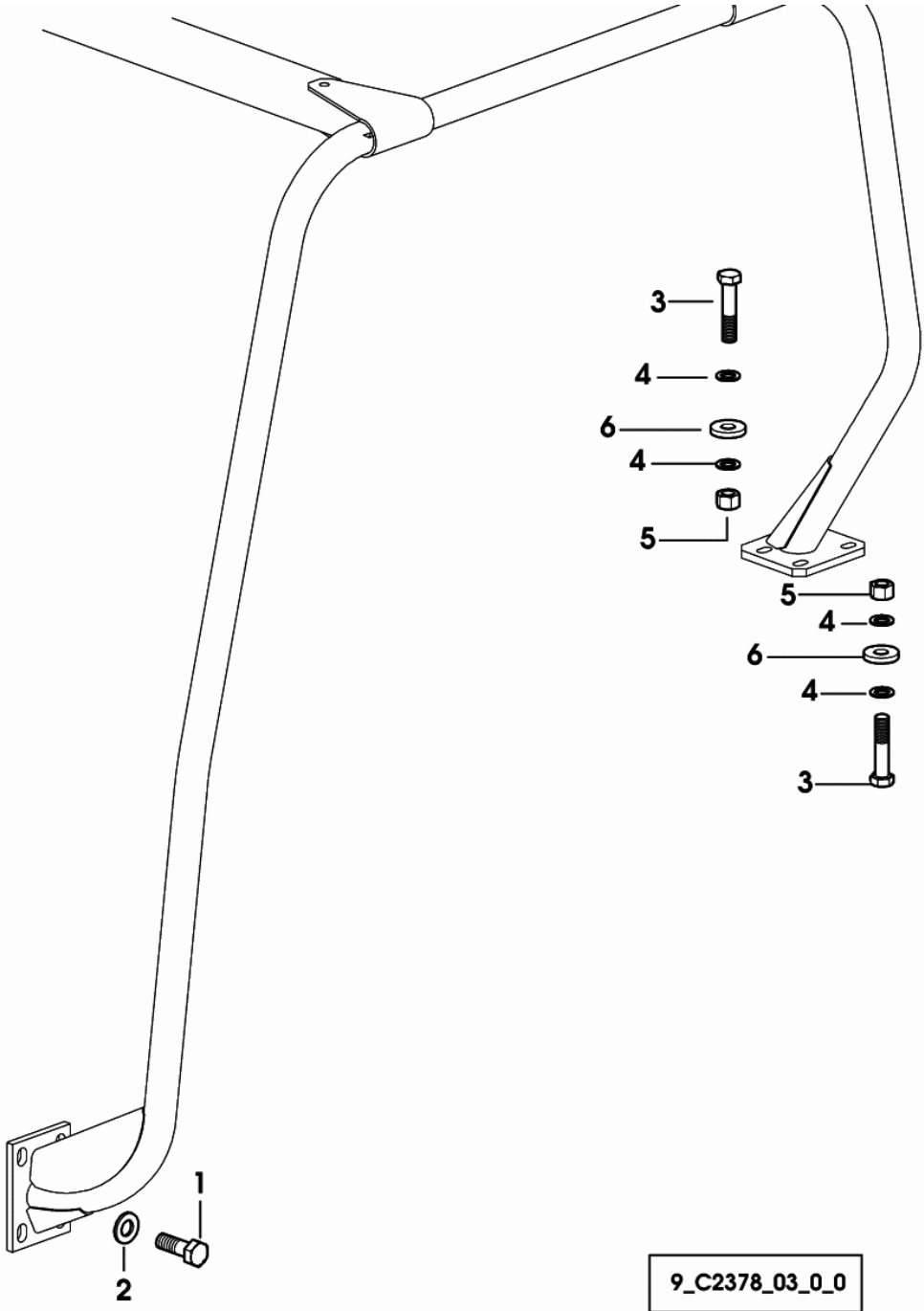
Fig.	Code	QTY	Name
1	0.014.0968.4	1	safety frame
5	2.0029.504.2	8	screw m 12x75
6	2.1011.107.2	8	nut m 12 p.1.75
7	2.1475.004.2	8	washer 13x24
13	0.008.8486.0	2	tube



9_C2378_01_0_0

Section: BODY WORK
SAFETY ROLL BAR MOUNTINGS

Fig.	Code	QTY	Name
1	2.0112.617.2	8	screw m 16 p.2x45
2	2.1475.006.2	8	washer 17x32
3	2.0123.522.2	8	screw
4	2.1475.005.2	16	washer 15x27
5	2.1011.308.2	8	nut m 14 p.1.5
6	2.1549.624.2/10	8	spacer



Section: BODY WORK
SAFETY ARCH

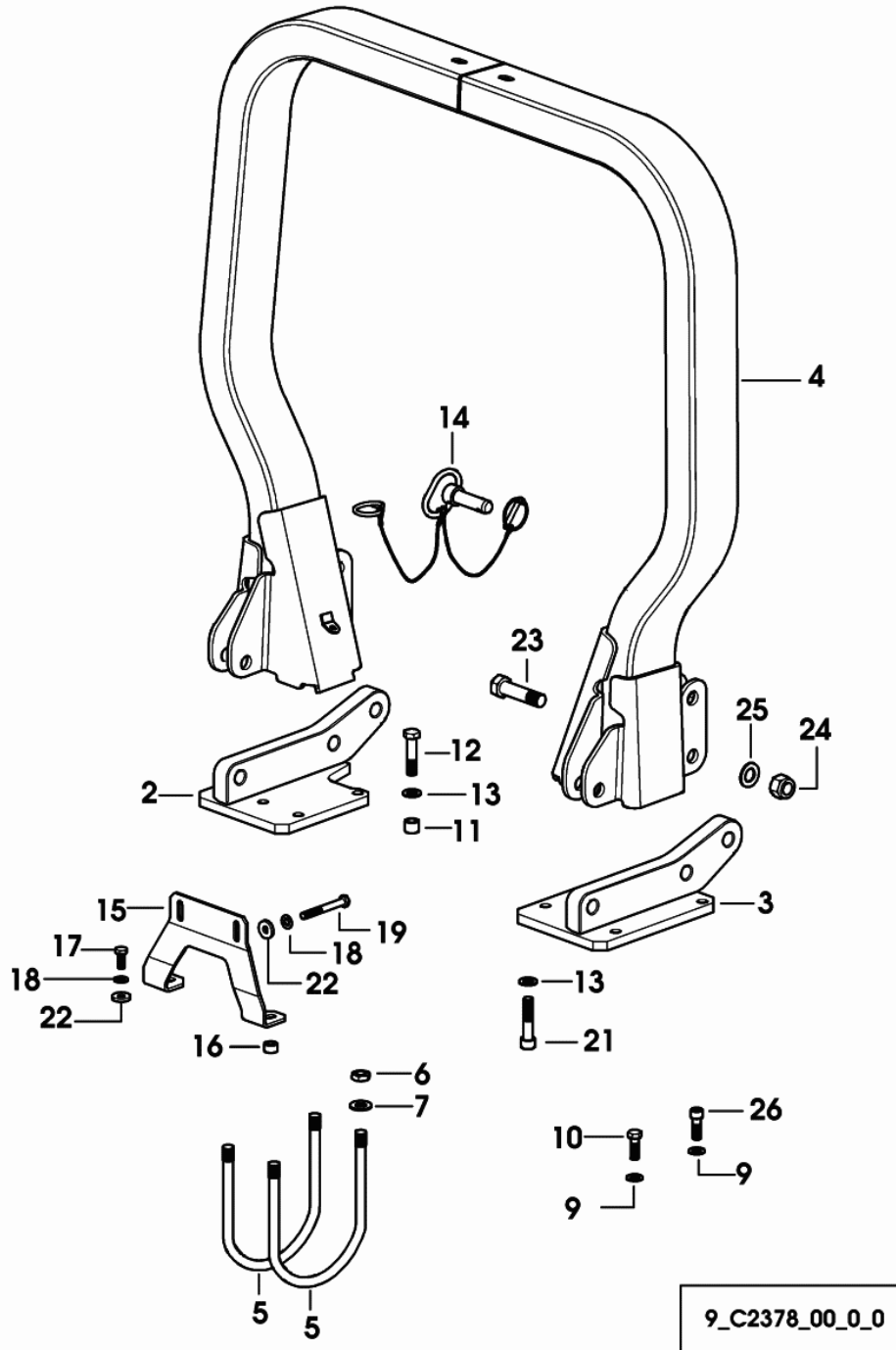


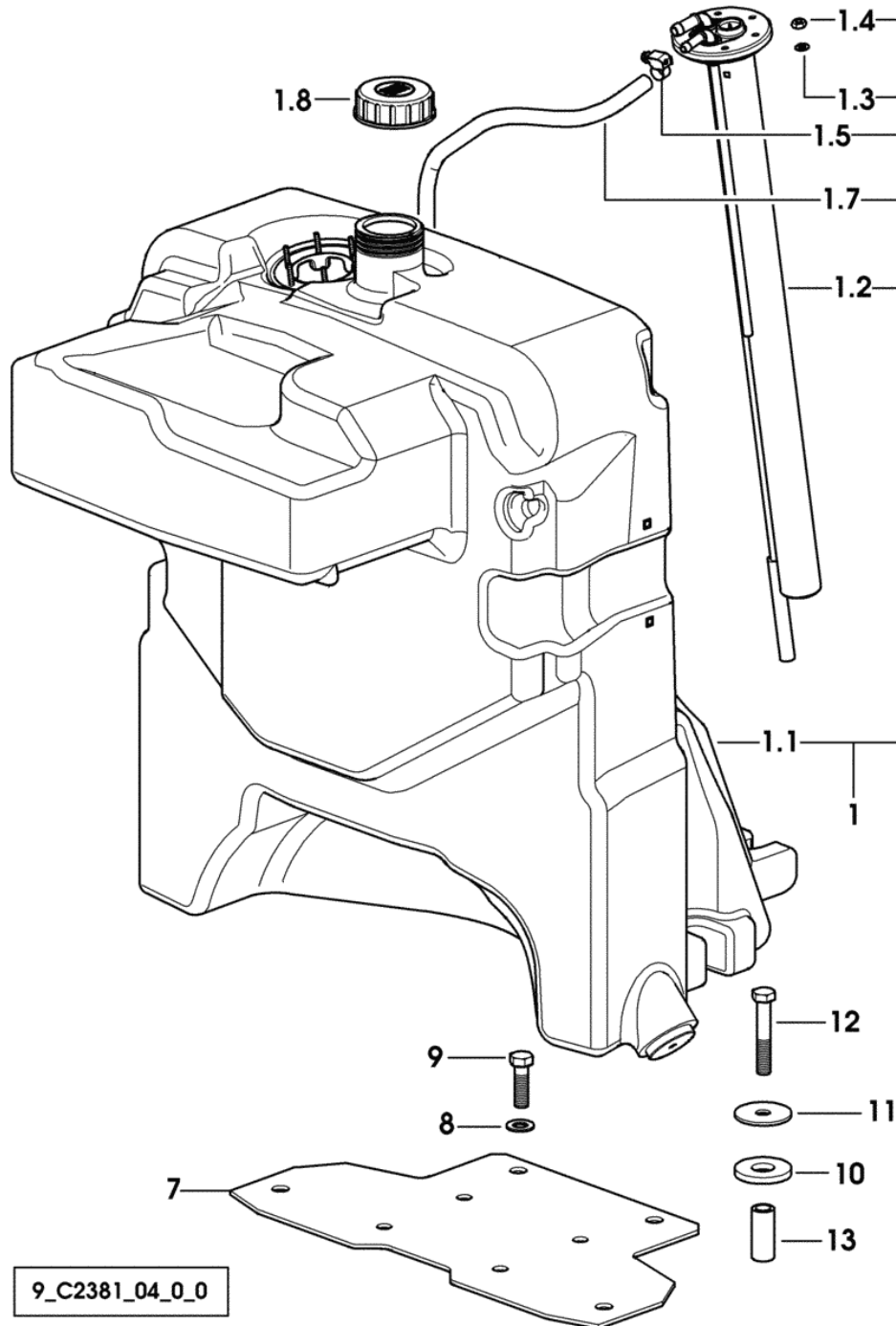
Fig.	Code	QTY	Name
2	0.013.2069.2/10	1	support
3	0.013.2070.2/10	1	support
4	0.013.2075.3/10	1	safety frame
5	0.451.7855.0	4	u bolt
6	2.1011.109.2	8	nut m 16 p.2
7	2.1475.006.2	8	washer 17x32
9	2.1475.004.2	8	washer 13x24
10	2.0313.412.2	4	screw
11	2.1549.623.2/10	4	spacer 14.25x21x16
12	2.0123.521.2	10	screw
13	2.1475.005.2	12	washer 15x27
14	0.013.2219.4	2	pin
15	0.014.2209.0	1	bracket
16	2.1579.116.2	2	spacer 11x20x11
17	2.0113.319.2	2	screw m 10 p.1.5x50
18	2.1475.003.2	4	washer 10.5x20
19	2.0113.326.2	2	screw
21	2.0313.519.2	2	screw
22	2.1549.614.2	4	spacer
23	2.0112.825.2	2	screw m 20x80
24	2.1120.011.2	2	nut
25	2.1310.013.2	2	flat washer 21x37
26	2.0113.413.2	4	screw m 12 p.1.75x35

9_C2378_00_0_0

Section: BODY WORK

FUEL TANK

Fig.	Code	QTY	Name
1	0.000.0000.1	0	not serviceable
1.1	0.013.7405.3/30	1	fueltank
1.2	2.7059.818.0	1	float level
1.3	2.1311.002.2	6	flat washer 4
1.4	2.1011.101.2	6	nut m 4
1.5	2.6851.019.0	1	clamp 13-20
1.7	0.011.5937.0	0	tube
1.8	0.012.3914.3	1	plug
7	0.013.4661.3/10	1	bracket
8	2.1475.004.2	4	washer 13x24
9	2.0112.415.2	4	screw m 12 p.1.75x40
10	2.1569.161.0	4	gasket 20x50x6
11	2.1599.354.2	4	washer 12.5x50x3
12	2.0112.423.2	4	screw m 12 p.1.75x70
13	2.1549.618.2	4	spacer

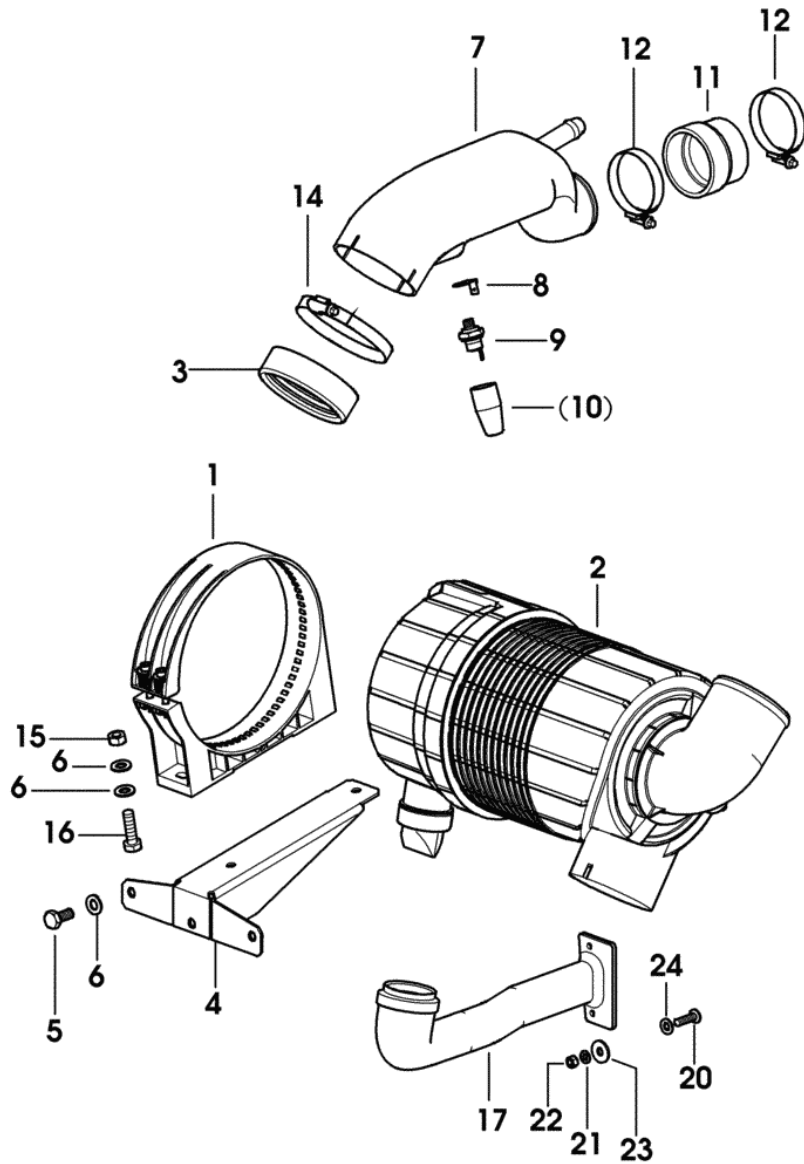


9_C2381_04_0_0

Section: BODY WORK

DRY AIR FILTER

Fig.	Code	QTY	Name
1	0.014.0679.4	1	support
2	2.4249.715.0	1	air filter ☞ 619 => 619
3	0.293.8152.0	1	ring
4	0.014.0683.3/20	1	bracket
5	2.0112.206.2	3	screw m 8 p.1.25x18
6	2.1310.004.2	7	flat washer 8.4x16
7	0.013.4905.2/10	1	sleeve
8	0.164.8450.0	1	terminal
9	2.7099.320.0/10	1	pressure switch
11	0.013.2909.0	1	sleeve
12	2.6851.007.0	2	clamp 60/80
14	2.6851.010.0	1	clamp 90-110
15	2.1011.105.2	2	nut m 8 p.1.25
16	2.0112.210.2	2	screw m 8 p.1.25x28
17	0.014.0952.0/20	1	manifold
20	2.0332.407.2	2	screw m 6x20
21	2.1470.001.2	2	lock washer 5
22	2.1011.102.2	2	nut m 5 p.0.7
23	2.1312.003.2	2	washer 6.6x18
24	2.1310.002.2	2	flat washer 6.4x12.5

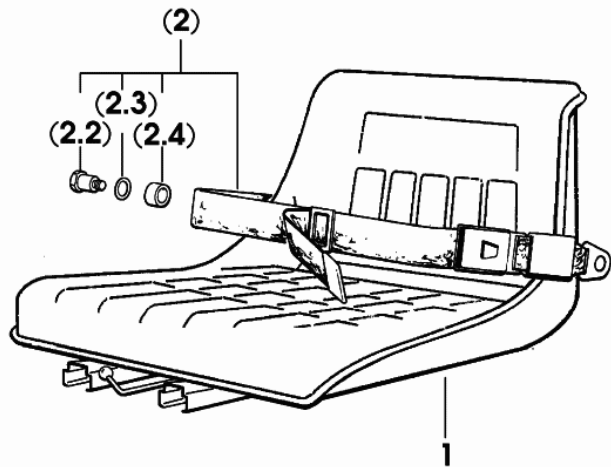


9_C2381_11_0_0

Section: BODY WORK

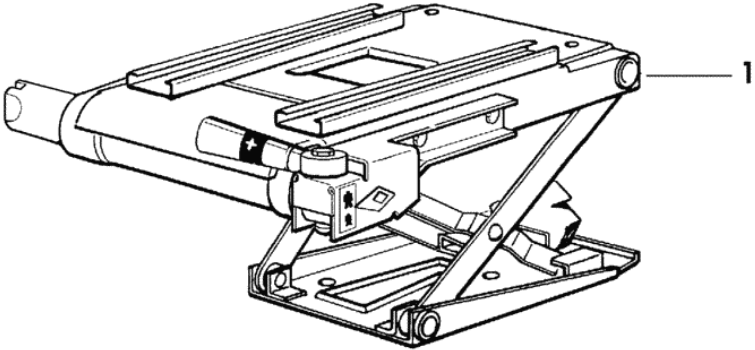
DRIVER'S SEAT

Fig.	Code	QTY	Name
1	0.010.5360.4/10	1	seat



Section: BODY WORK
SEAT SPRINGING

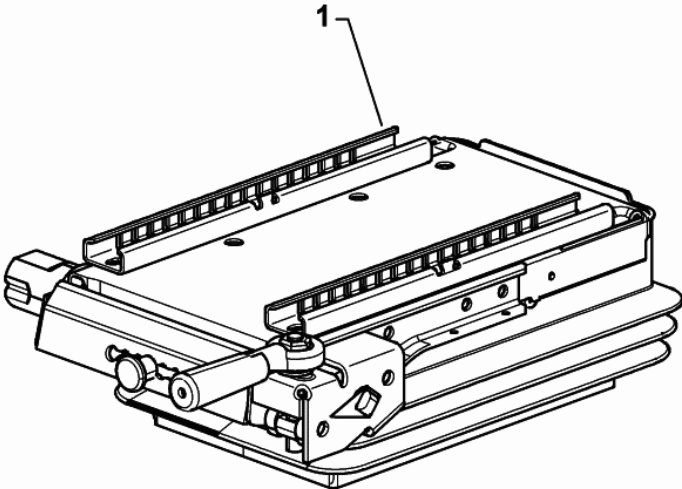
Fig.	Code	QTY	Name
1	0.010.5357.4	1	seat springs ☞ 620 => 620



9_50875_01_0_0

Section: BODY WORK
SEAT SPRINGING

Fig.	Code	QTY	Name
1	0.010.5356.4	1	seat springs ↳ 621 => 621

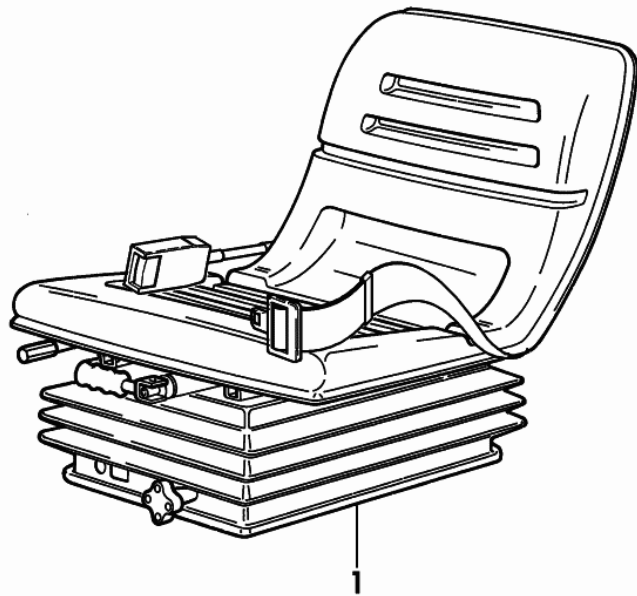


9_50875_02_0_0

Section: BODY WORK

DRIVER'S SEAT SABLE - PVC

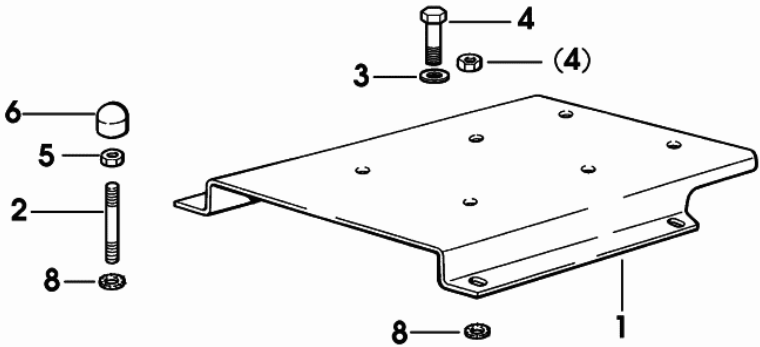
Fig.	Code	QTY	Name
1	0.007.5683.4/10	1	seat GRAMMER MSG 83/7L ☞ 622 => 622



9_49075_10_0_0

Section: BODY WORK
SEAT SUPPORT BRACKET

Fig.	Code	QTY	Name
1	0.255.7536.0/10	1	bracket
2	2.0439.060.2	4	stud bolt m 8 p.1.25-1x22
3	2.1310.004.2	8	flat washer 8.4x16 -> 1056 X EXPLORER 75T -> 1007 X EXPLORER 75TB -> 1050 X EXPLORER 85T X EXPLORER 85TB -> 1051 X EXPLORER 95T -> 1030 X EXPLORER 95TB
4	2.1011.105.2	4	nut m 8 p.1.25 1055 <- X EXPLORER 75 T 1006 <- X EXPLORER 75 TB 1049 <- X EXPLORER 85 T 1050 <- X EXPLORER 95 T 1029 <- X EXPLORER 95 TB
4	2.0112.207.2	4	screw m 8 p 1.25x20 -> 1056 X EXPLORER 75T -> 1007 X EXPLORER 75TB -> 1050 X EXPLORER 85T X EXPLORER 85TB -> 1051 X EXPLORER 95T -> 1030 X EXPLORER 95TB
5	2.1011.405.2	4	nut m 8 p.1
6	0.163.7856.0	4	cap
8	2.1470.004.2	8	lock washer 8



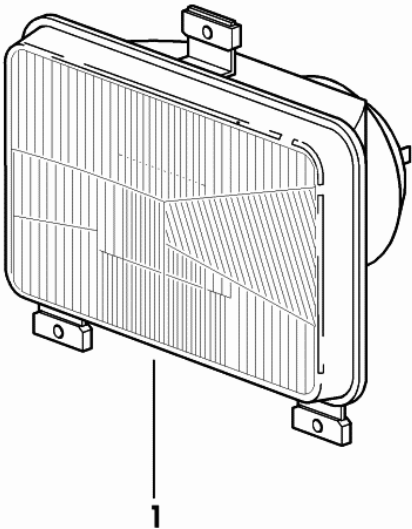
EXPLORER 85 T

LIGHTING SYSTEM

HEADLAMP FOR LEFT-HAND DRIVE.....	421
HEADLAMP FOR RIGHT-HAND DRIVE.....	422
REAR LIGHT.....	423
WARNING BEACON.....	425
PREARRANGEMENT FOR WARNING BEACON - WITH FOLD-DOWN ROPS.....	426
PREARRANGEMENT FOR WARNING BEACON - WITH FOLD-DOWN ROPS.....	426.1
PREARRANGEMENT FOR WARNING BEACON.....	427
LICENCE PLATE LIGHT.....	428
DASHBOARD BOX INSTRUMENT PANEL.....	429
BATTERY 12V 100Ah 450A.....	430
BATTERY 12V 100Ah 500A.....	431
STARTER.....	432
ALTERNATOR 65 A.....	433
ALTERNATOR MOUNTINGS 65A.....	434
ELECTRICAL EQUIPMENT FRONT.....	435
CENTRAL WIRING LOOM.....	436
CENTRAL WIRING LOOM.....	437
ELECTRICAL EQUIPMENT REAR.....	438
ELECTRICAL EQUIPMENT REAR.....	439
ELECTRICAL LEAD.....	440
4WD - ENGAGEMENT CONTROL.....	441
SWITCH.....	442

Section: LIGHTING SYSTEM
HEADLAMP FOR LEFT-HAND DRIVE

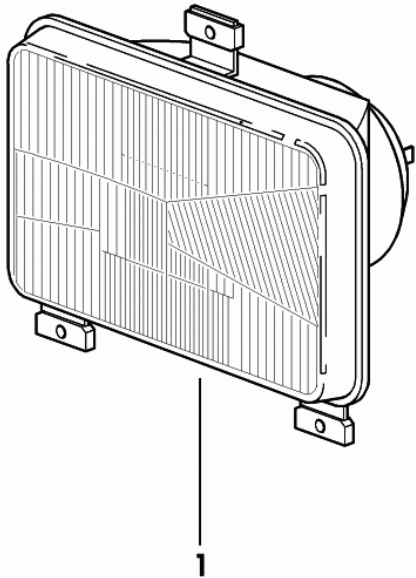
Fig.	Code	QTY	Name
1	2.8029.770.0/30	2	lamp ☞ 623 => 623



9_62085_22_0_0

Section: LIGHTING SYSTEM
HEADLAMP FOR RIGHT-HAND DRIVE

Fig.	Code	QTY	Name
1	2.8029.760.0/30	2	lamp ↳ 624 => 624

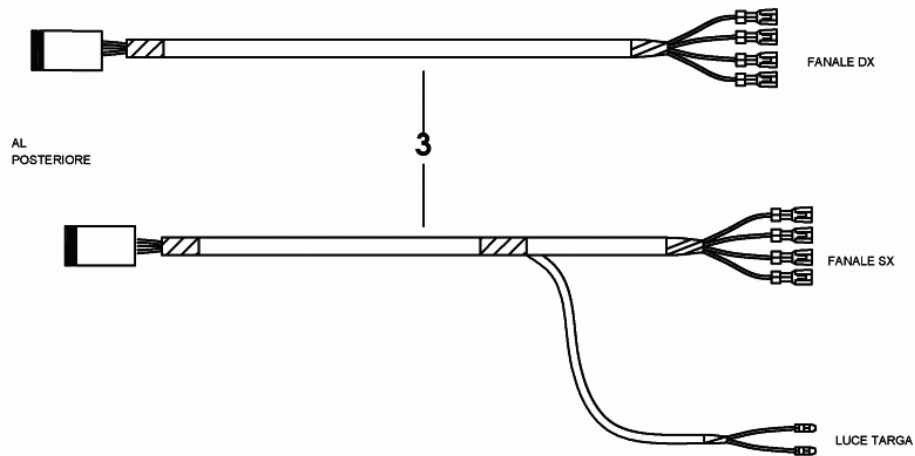
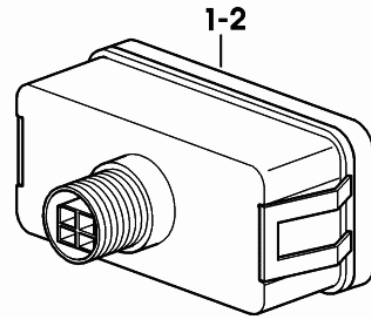


9_62085_20_0_0

Section: LIGHTING SYSTEM

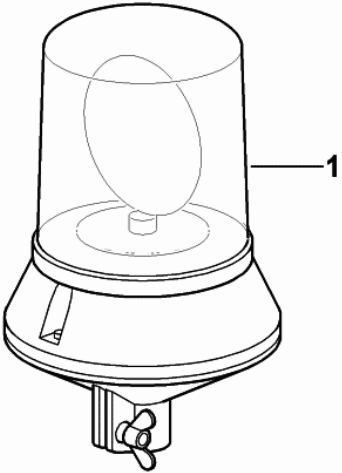
REAR LIGHT

Fig.	Code	QTY	Name
1	2.8059.090.0	1	side lamp dx ☞ 625 => 625
2	2.8059.080.0	1	side lamp sx ☞ 626 => 626
3	0.014.1641.4/10	1	wire



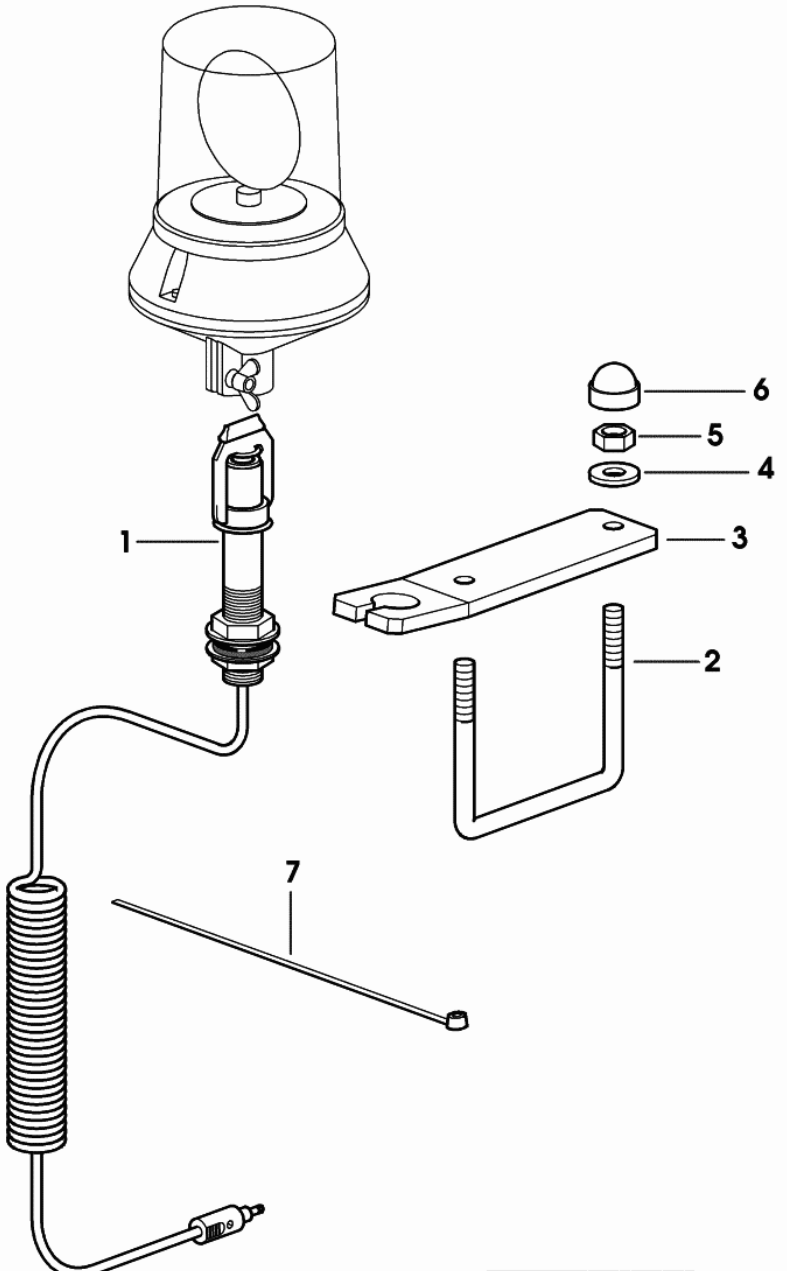
Section: LIGHTING SYSTEM
WARNING BEACON

Fig.	Code	QTY	Name
1	0.009.6758.4/10	1	headlight ☞ 629 => 629



PREARRANGEMENT FOR WARNING BEACON - WITH FOLD-DOWN ROPS

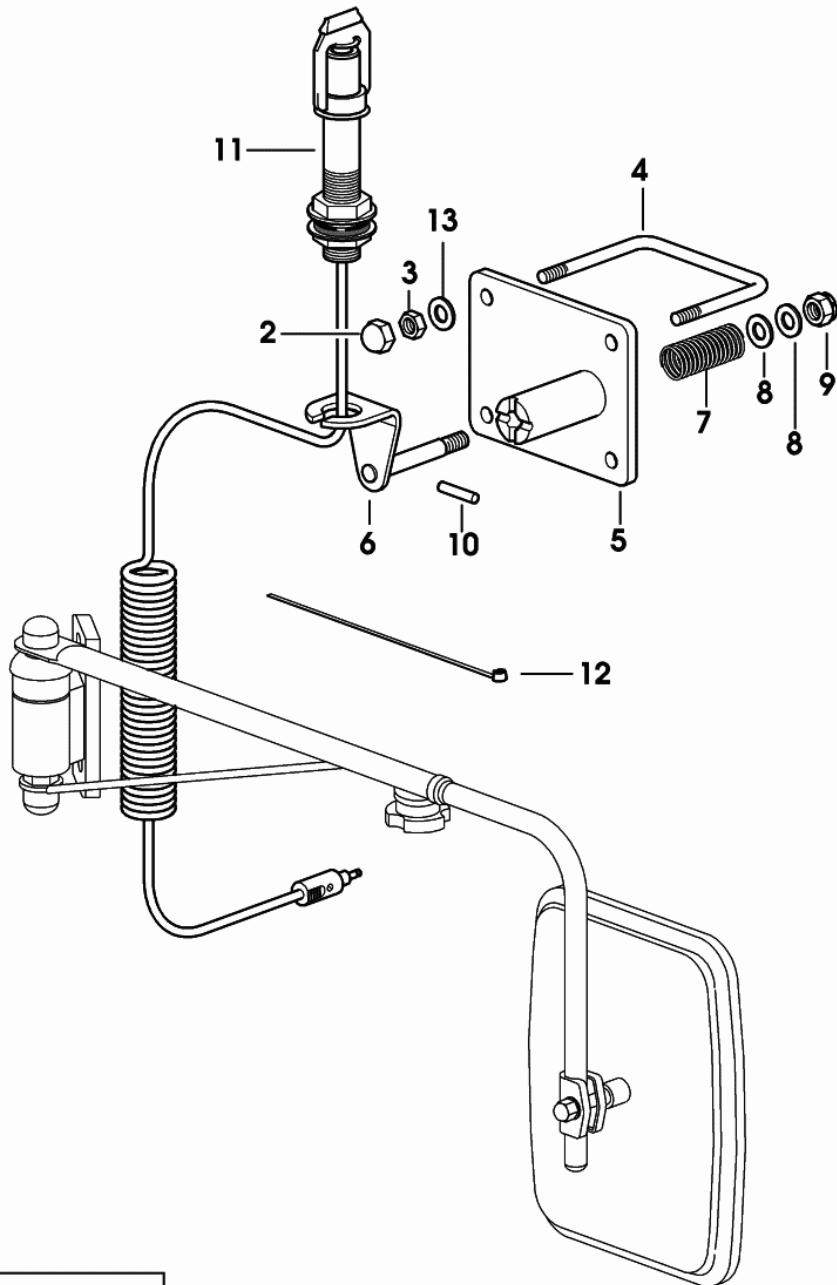
Fig.	Code	QTY	Name
1	0.011.7840.4	1	support ☞ 630 => 630
2	0.012.9085.0	1	u bolt
3	0.012.9086.0	1	bracket
4	2.1310.004.2	2	flat washer 8.4x16
5	2.1071.004.0	2	special nut m 8 p.1.25
6	0.163.7856.0	2	cap
7	2.6852.203.0	5	clamp



9_51178_02_0_0

PREARRANGEMENT FOR WARNING BEACON - WITH FOLD-DOWN ROPS

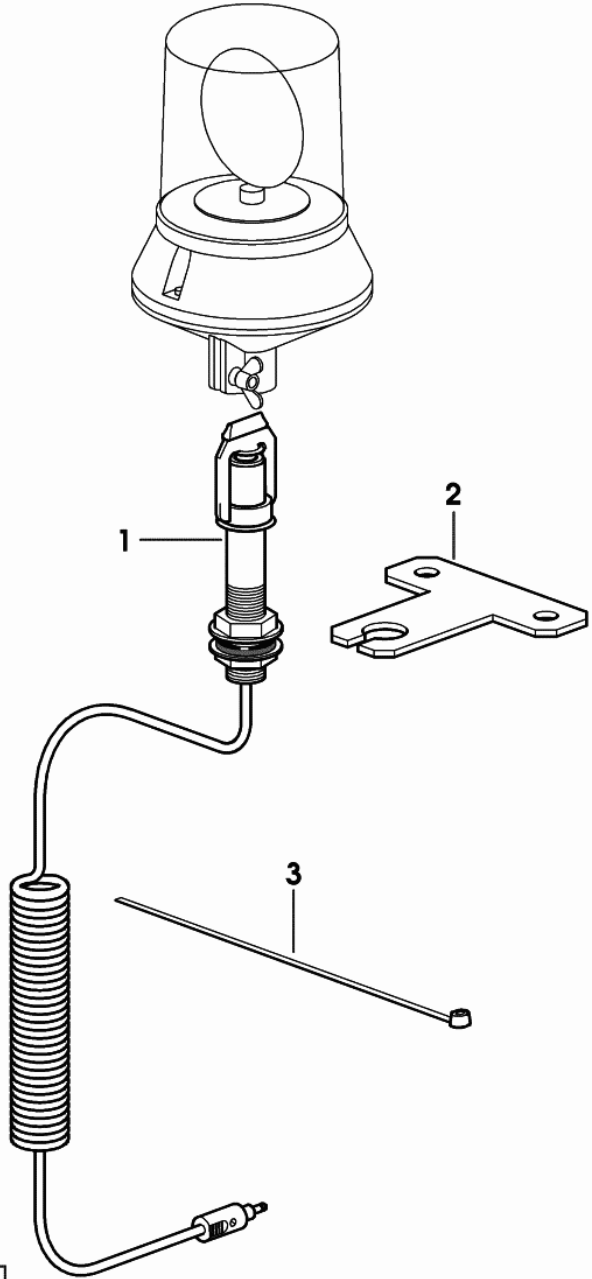
Fig.	Code	QTY	Name
2	0.163.7856.0	4	cap
3	2.1011.105.2	4	nut m 8 p.1.25
4	0.014.0116.0	2	u bolt
5	0.014.0487.2/10	1	support
6	0.014.0492.2/10	1	support
7	2.4019.611.2	1	spring
8	2.1310.006.2	2	flat washer 10.5x20
9	2.1120.006.2	1	nut m 10 p.1.5
10	2.1651.312.2	1	pin 4x28
11	0.011.7840.4	1	support ↖ 630 => 630
12	2.6852.203.0	3	clamp
13	2.1310.004.2	4	flat washer 8.4x16



9_20176_65_0_B

Section: LIGHTING SYSTEM
PREARRANGEMENT FOR WARNING BEACON

Fig.	Code	QTY	Name
1	0.011.7840.4	1	support ☞ 630 => 630
2	0.011.7743.0	1	square
3	2.6852.203.0	5	clamp

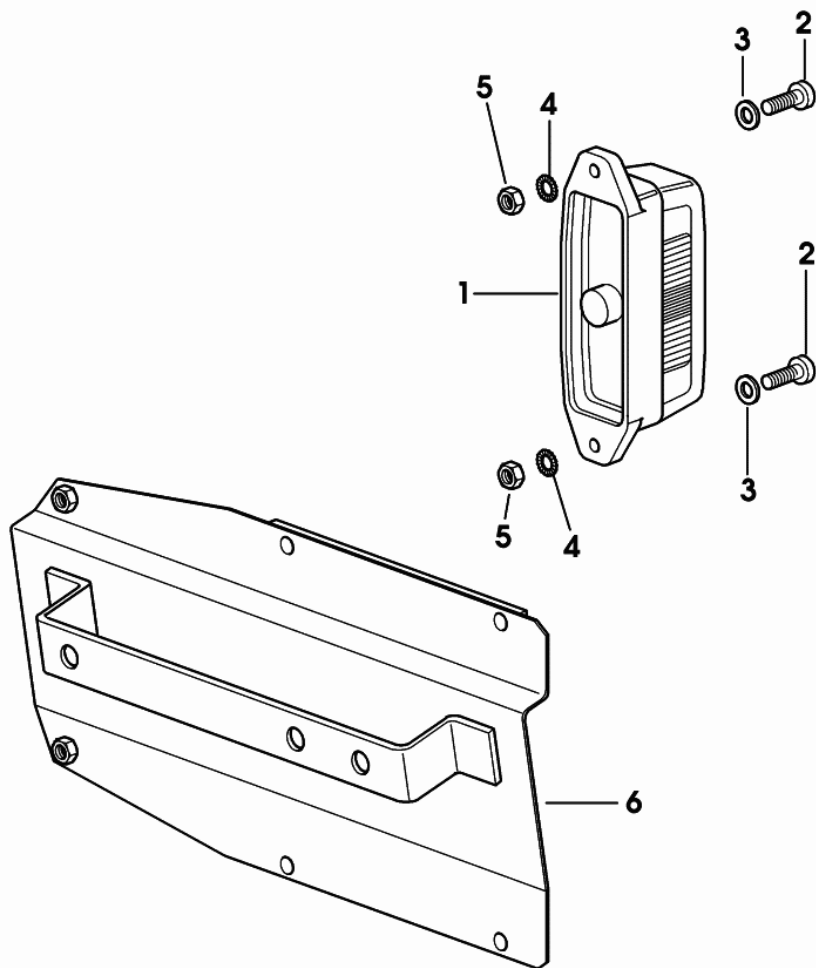


9_58978_03_0_0

Section: LIGHTING SYSTEM

LICENCE PLATE LIGHT

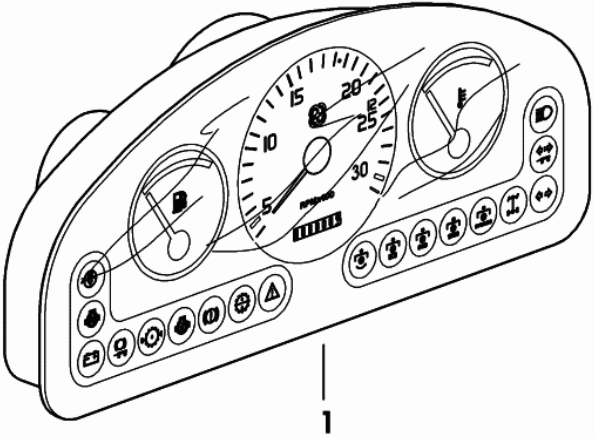
Fig.	Code	QTY	Name
1	2.8029.240.0/10	1	side lamp ☞ 631 => 631
2	2.0332.306.2	2	screw m 5x16
3	2.1310.001.2	2	flat washer 5.3x10
4	2.1470.001.2	2	lock washer 5
5	2.1011.102.2	2	nut m 5 p.0.7
6	0.008.3958.2	1	plate holder



9_49085_31_0_0

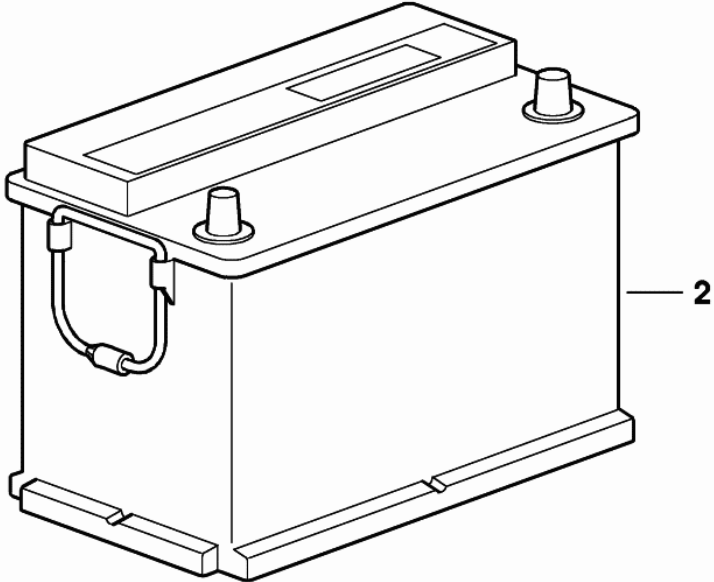
Section: LIGHTING SYSTEM
DASHBOARD BOX INSTRUMENT PANEL

Fig.	Code	QTY	Name
1	2.8339.073.0	1	multimeter ↳ 632 => 632



Section: LIGHTING SYSTEM
BATTERY 12V 100Ah 450A

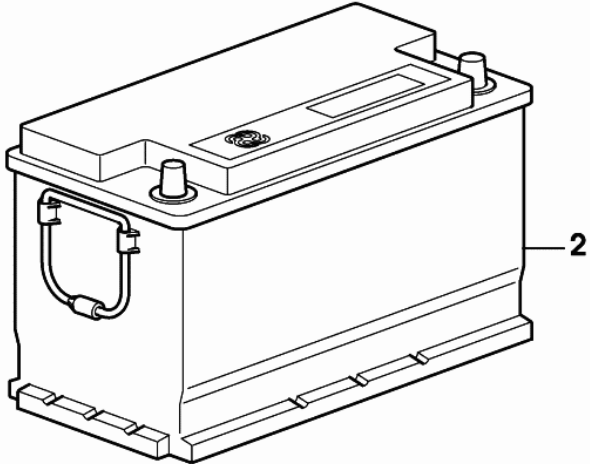
Fig.	Code	QTY	Name
2	2.9559.052.0	1	battery 12V 100Ah 450A



9_40584_10_0_0

Section: LIGHTING SYSTEM
BATTERY 12V 100Ah 500A

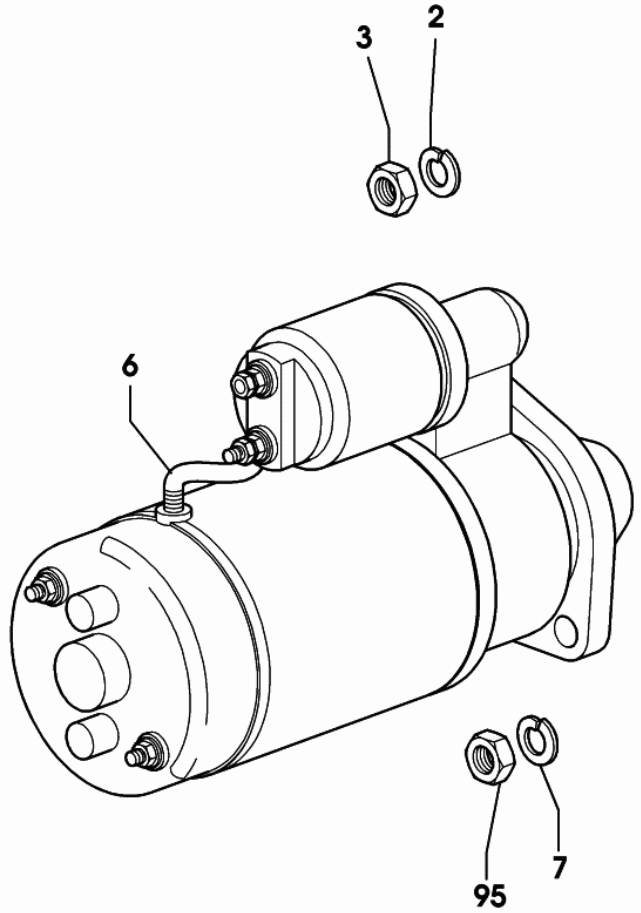
Fig.	Code	QTY	Name
2	2.9559.051.0	1	battery 12V 100Ah 500A



9_40584_11_0_0

Section: LIGHTING SYSTEM
STARTER

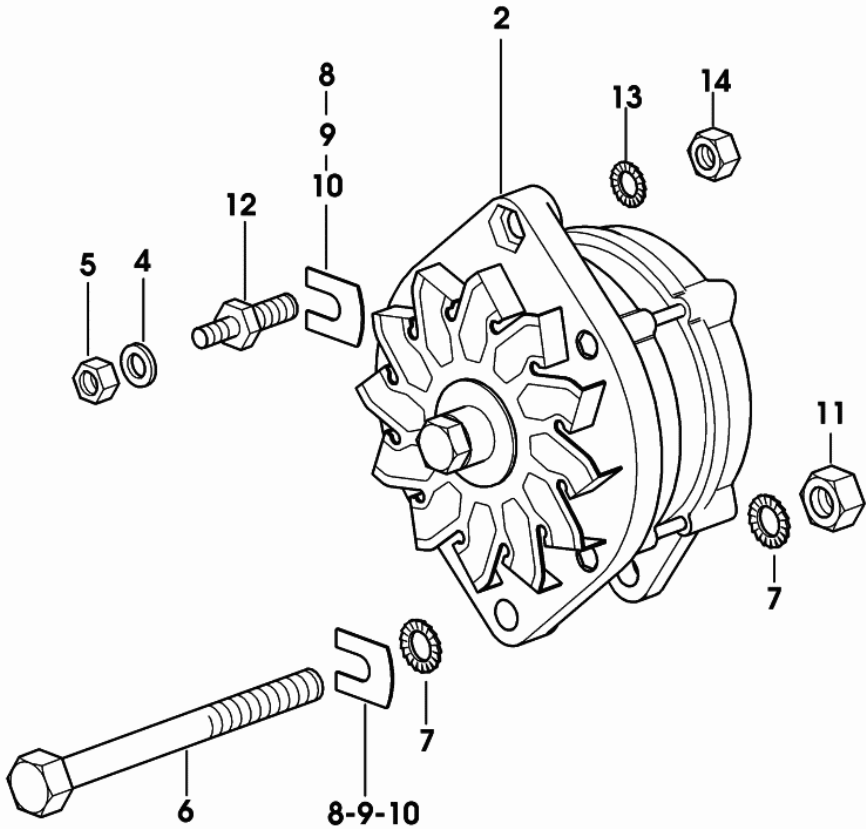
Fig.	Code	QTY	Name
2	2.1470.007.2	1	lock washer 12
3	2.1011.422.2	1	nut m 12 p.1.25
6	2.9619.390.0	1	starter motor BOSCH 3 KW ☞ 633 => 633
7	2.1470.006.2	1	lock washer 10
95	2.1011.106.2	1	nut m 10 p.1.5



9_51184_09_0_0

Section: LIGHTING SYSTEM
ALTERNATOR 65 A

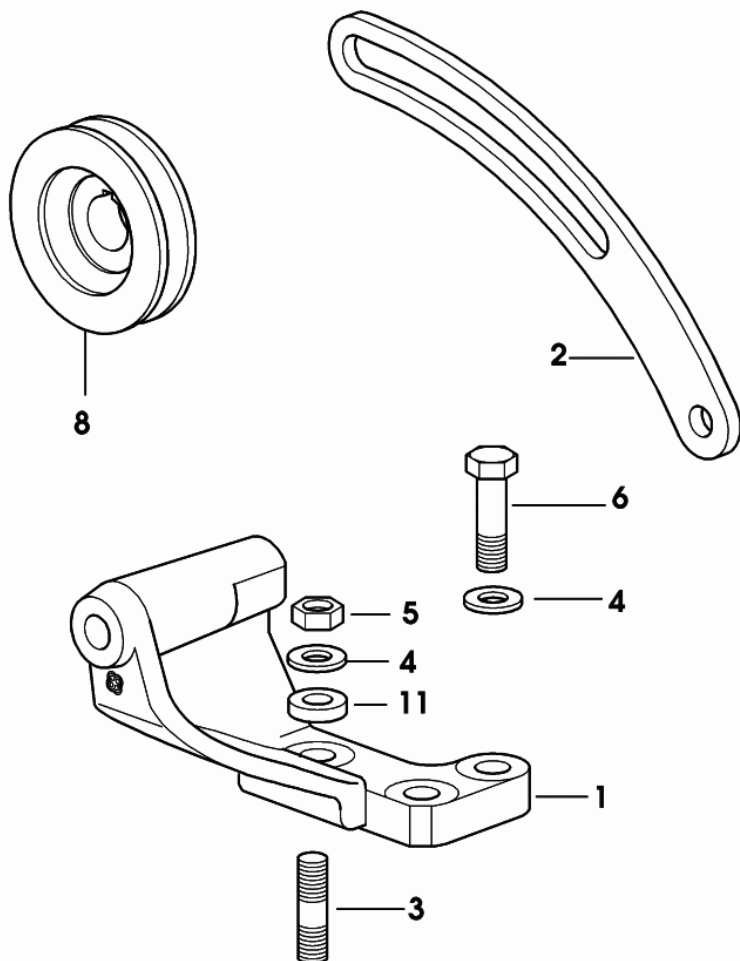
Fig.	Code	QTY	Name
2	2.9439.420.0/10	1	alternator 14V - 65A - ISKRA ☞ 634 => 634
4	2.1579.774.2	1	spacer 8.4x12x6.5
5	2.1011.105.2	1	nut m 8 p.1.25
6	2.0122.483.2	1	screw m 12x120
7	2.1470.007.2	2	lock washer 12
8	0.167.8460.0	2	register mm 3
9	0.167.8461.0	2	register mm 1
10	0.167.8462.0	2	register mm 2
11	2.1011.422.2	1	nut m 12 p.1.25
12	2.0439.211.2/10	1	screw m 10x20
13	2.1470.006.2	1	lock washer 10
14	2.1011.106.2	1	nut m 10 p.1.5



Section: LIGHTING SYSTEM

ALTERNATOR MOUNTINGS 65A

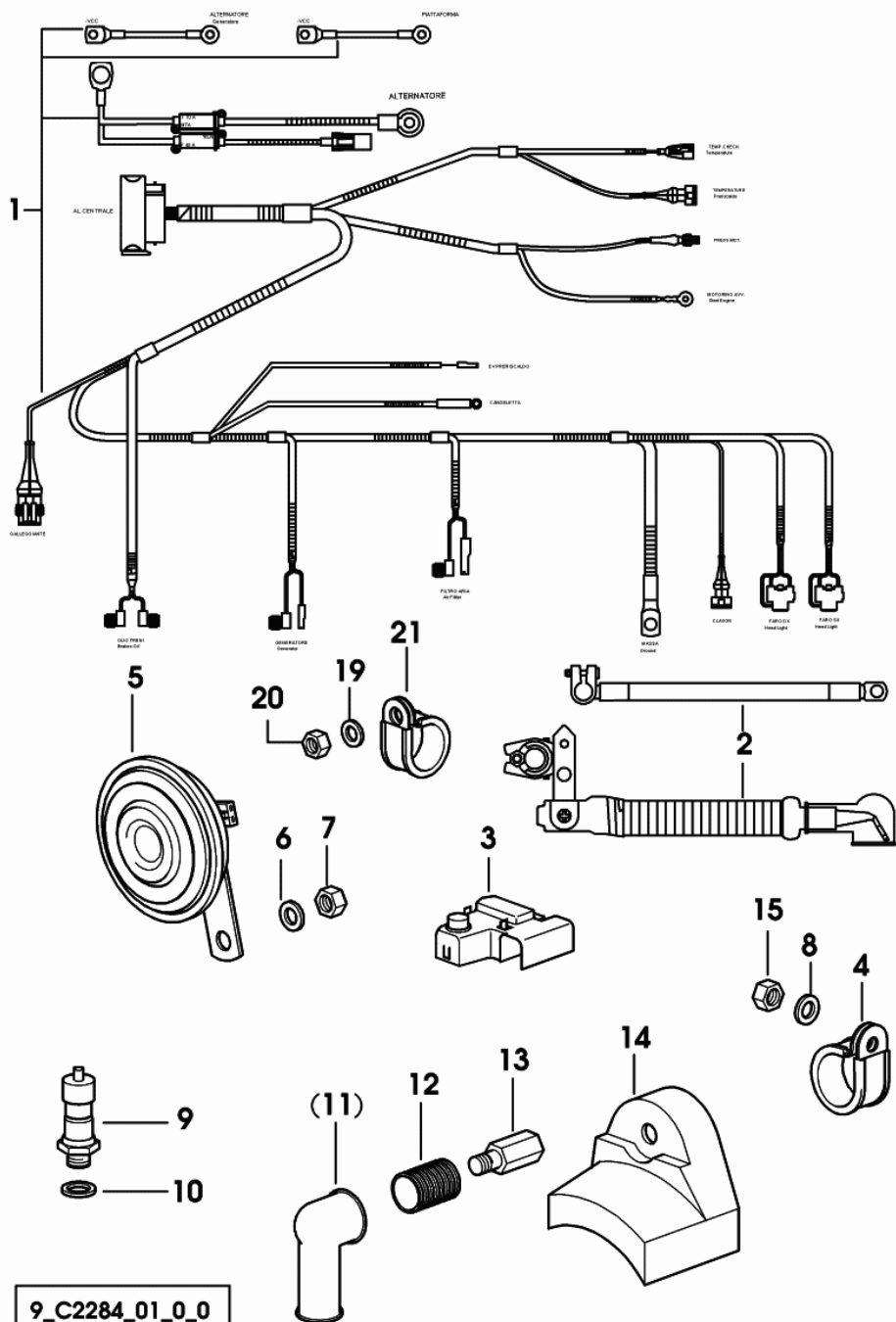
Fig.	Code	QTY	Name
1	0.261.8441.0/10	1	support
2	0.261.8442.0	1	bracket
3	2.0432.159.7	2	stud bolt m 10 p.1.5-1.25x35
4	2.1470.006.2	3	lock washer 10
5	2.1011.421.2	2	nut M10x1.25
6	2.0112.313.2	1	screw m 10 p.1.5x35
8	0.013.4612.0	1	pulley
11	2.1579.901.2	2	spacer 12x20x5



9_B8584_01_0_0

Section: LIGHTING SYSTEM
ELECTRICAL EQUIPMENT FRONT

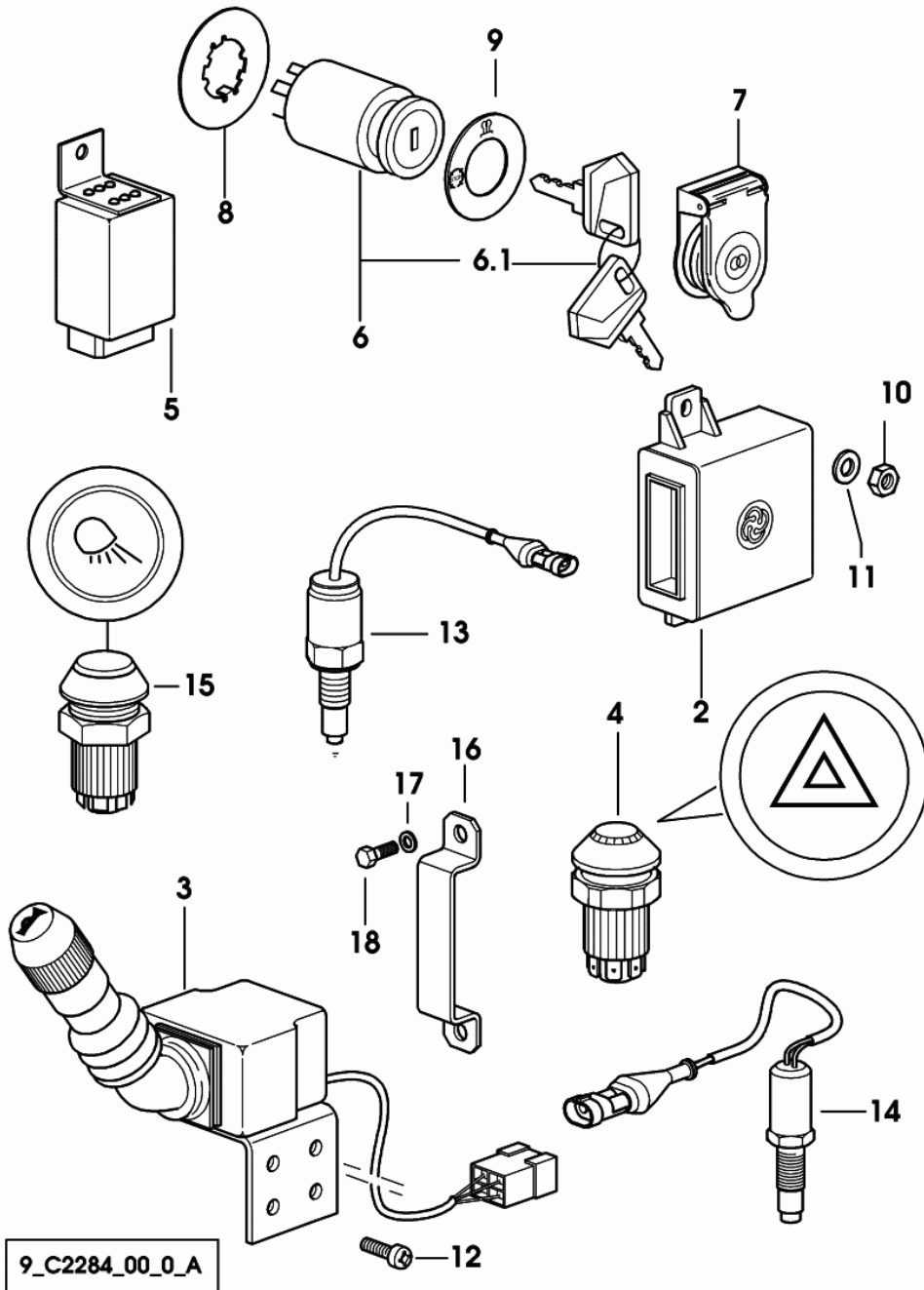
Fig.	Code	QTY	Name
1	0.014.1638.4/20	1	electrical system
2	0.014.1637.4/10	1	wire
3	0.011.9017.0	1	cap
4	2.6839.068.0	1	clamp
5	2.8419.007.0	1	horn
6	2.1499.057.1	1	washer 8.2x23
7	2.1011.105.2	1	nut m 8 p.1.25
8	2.1470.002.2	1	lock washer 6
9	2.7099.940.0	1	pressure switch 0.4 - 0.7 BAR
10	2.1560.008.0	1	gasket 12.2x18
11	2.6519.024.0	1	cap
1088	-< X EXPLORER 75 T		
1015	-< X EXPLORER 75 TB		
1069	-< X EXPLORER 85 T		
1014	-< X EXPLORER 85 TB		
1117	-< X EXPLORER 95 T		
1086	-< X EXPLORER 95 TB		
12	0.008.0378.0	1	cover
13	0.008.0616.0	1	pipe fitting
14	0.008.0391.0	1	cover
15	2.1011.103.2	1	nut m 6 p.1
19	2.1470.004.2	1	lock washer 8
20	2.1011.105.2	1	nut m 8 p.1.25
21	2.6839.069.0	1	clamp 40/20



9_C2284_01_0_0

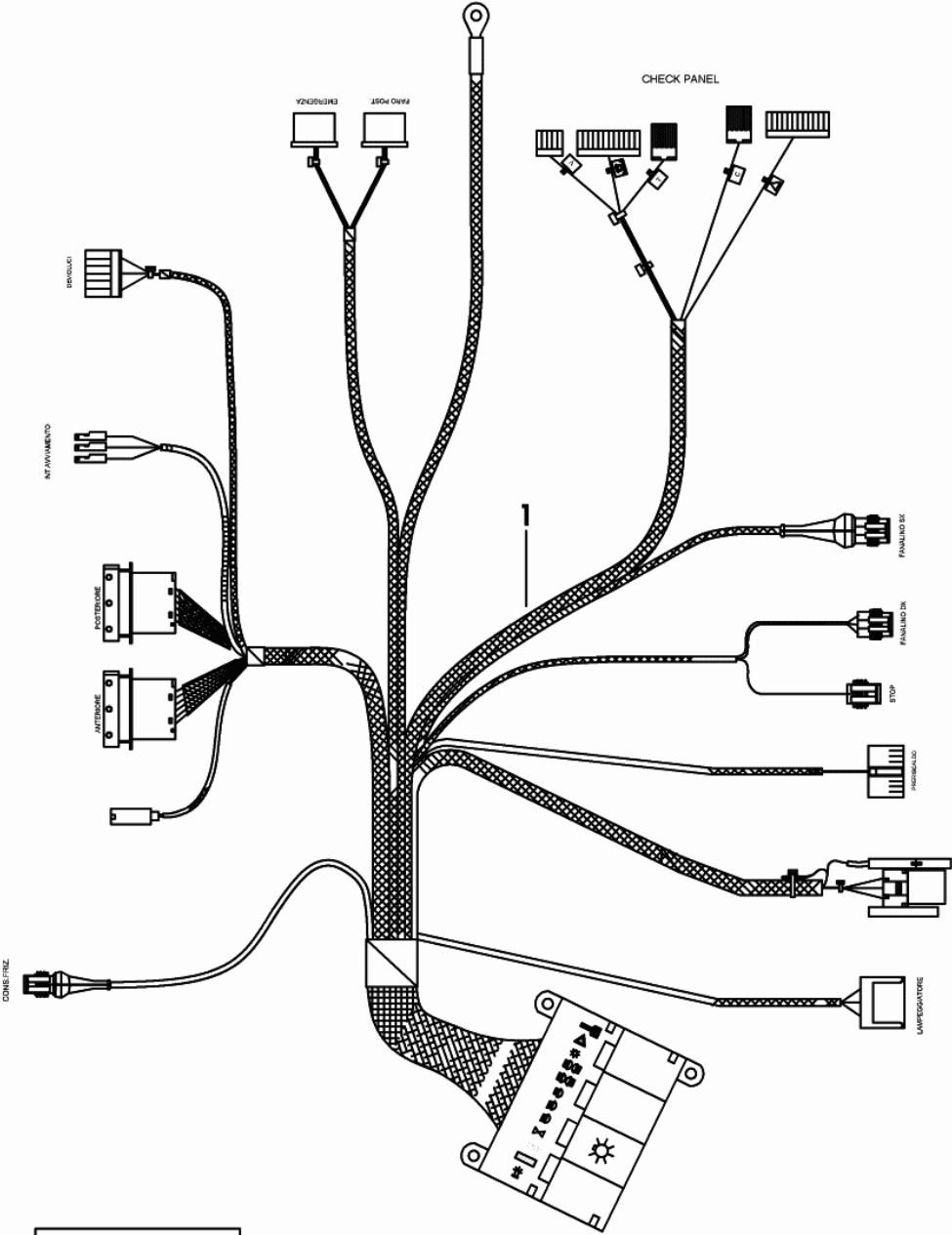
Section: LIGHTING SYSTEM
CENTRAL WIRING LOOM

Fig.	Code	QTY	Name
2	2.8519.031.0	1	control box
3	0.010.1173.4/30	1	switch
4	2.7659.110.0	1	push-button
5	2.8639.007.0/10	1	blinker
6	04411512.4	1	switch
6.1	04418435	1	ignition key
7	0.012.2056.2	1	small cover
8	0.011.4625.0	1	washer
9	0.010.0492.0/20	1	plate
10	2.1011.102.2	2	nut m 5 p.0.7
11	2.1310.001.2	2	flat washer 5.3x10
12	2.0322.307.6	2	screw
13	2.7659.246.0	1	switch
14	2.7659.227.0	1	switch
15	2.7659.109.0	1	push-button
16	0.014.2769.0	1	bracket
17	2.1470.002.2	2	lock washer 6
18	2.0112.002.2	2	screw m 6 p.1x10



Section: LIGHTING SYSTEM
CENTRAL WIRING LOOM

Fig.	Code	QTY	Name
1	0.014.1640.4/20	1	electrical system ☞ 635 => 635



9_C2284_00_0_b

Section: LIGHTING SYSTEM

ELECTRICAL EQUIPMENT REAR

9_C2285_00_0_A

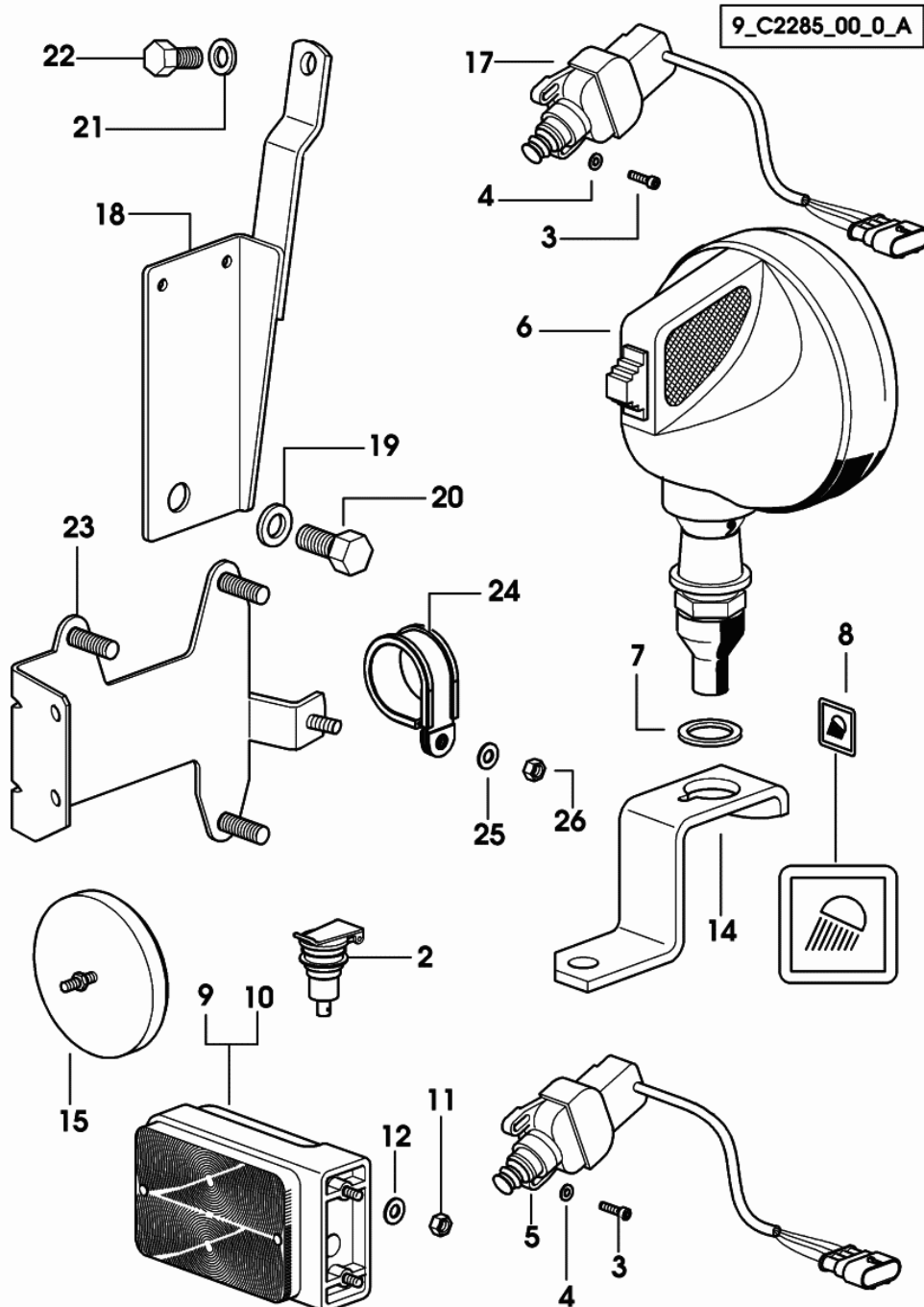
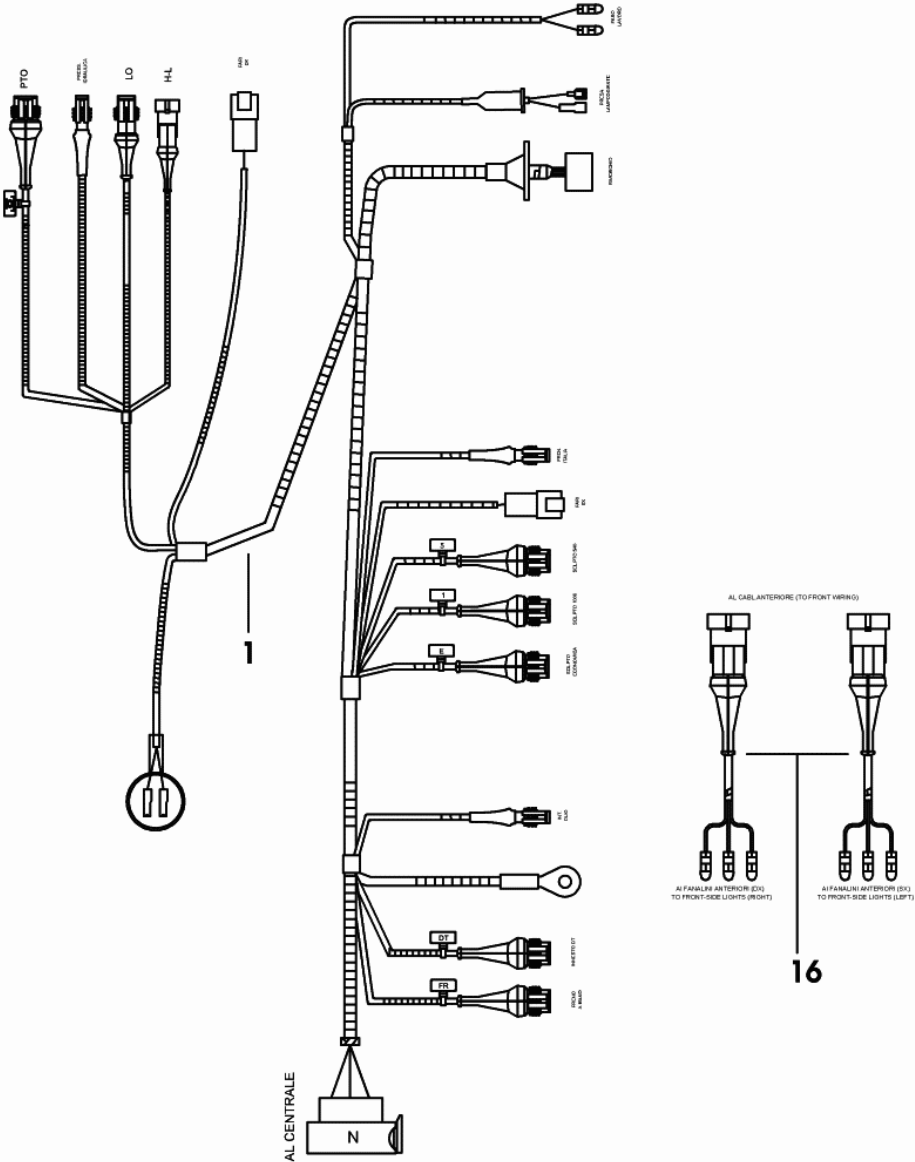


Fig.	Code	QTY	Name
2	0.008.1550.0	1	socket
3	2.0119.070.6	8	screw m 4x16
4	2.1310.028.2	8	flat washer 4.3x9
5	2.7659.202.0	1	switch
6	2.8029.300.0	1	headlight ☞ 636 => 636
7	2.1312.005.2	1	washer 11x30
8	2.9929.703.0	1	plate
9	2.8019.960.0	1	side lamp sx ☞ 637 => 637
10	2.8019.970.0	2	side lamp dx ☞ 638 => 638
11	2.1011.102.2	4	nut m 5 p.0.7
12	2.1310.001.2	4	flat washer 5.3x10
14	0.008.8681.0	1	support
15	2.8349.002.2/30	2	reflector
17	2.7659.096.0/10	3	switch
18	0.014.2644.2/10	1	bracket
19	2.1470.007.2	1	lock washer 12
20	2.0112.409.2	1	screw m 12 p.1.75x25
21	2.1470.004.2	1	lock washer 8
22	2.0112.205.2	1	screw m 8 p.1.25x16
23	0.014.3327.3	1	bracket
24	2.6839.069.0	1	clamp 40/20
25	2.1310.002.2	1	flat washer 6.4x12.5
26	2.1011.103.2	1	nut m 6 p.1

Section: LIGHTING SYSTEM
ELECTRICAL EQUIPMENT REAR

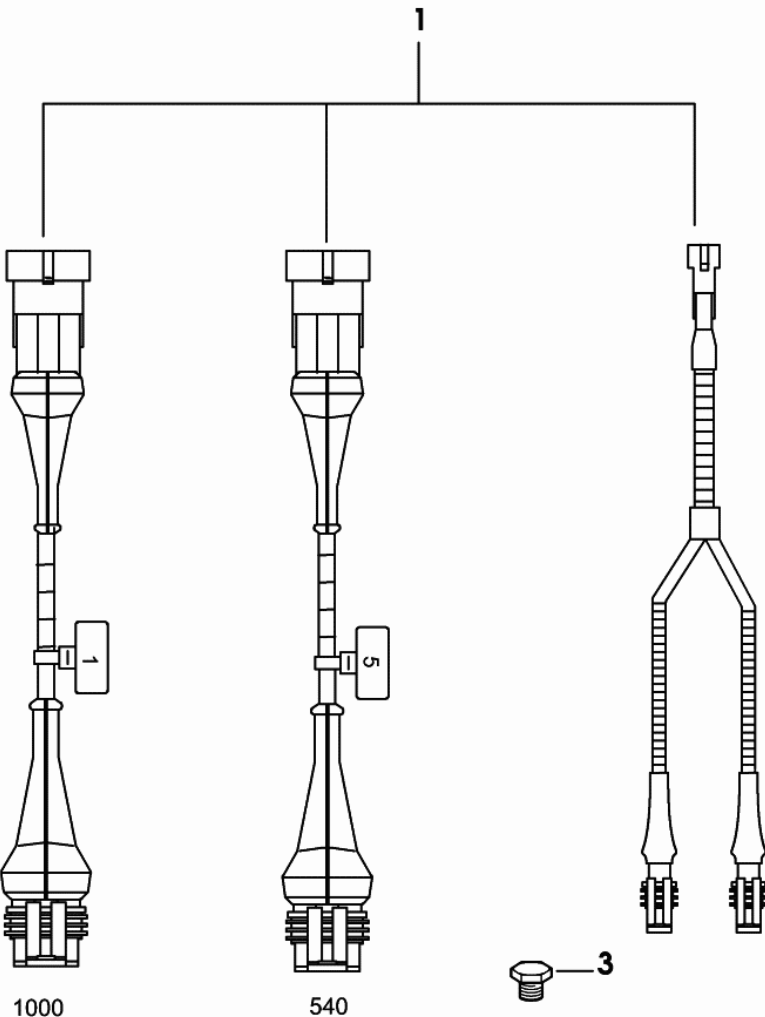
Fig.	Code	QTY	Name
1	0.014.1639.4/30	1	electrical system
16	0.014.1643.4	1	wire ↳ 639 => 639



9_C2285_00_0_B

Section: LIGHTING SYSTEM
ELECTRICAL LEAD

Fig.	Code	QTY	Name
1	0.014.1644.4	1	wire ☞ 640 => 640
2	0.009.3854.2/10	1	guard
3	2.3110.422.2	1	plug m 12
4	2.1099.059.2	1	special nut m 12 p.1.25x27

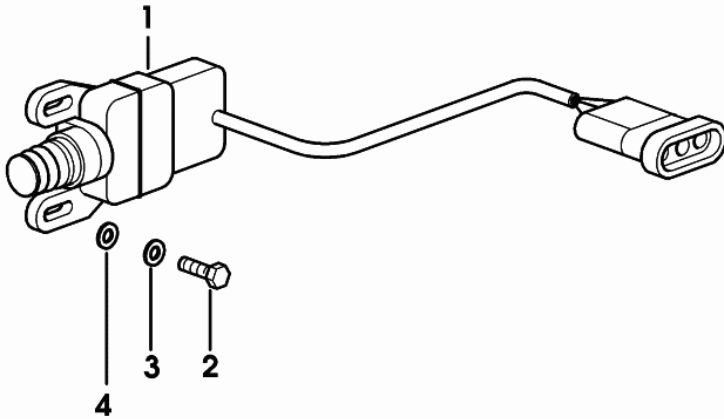


9_C2384_03_0_0

Section: LIGHTING SYSTEM

4WD - ENGAGEMENT CONTROL

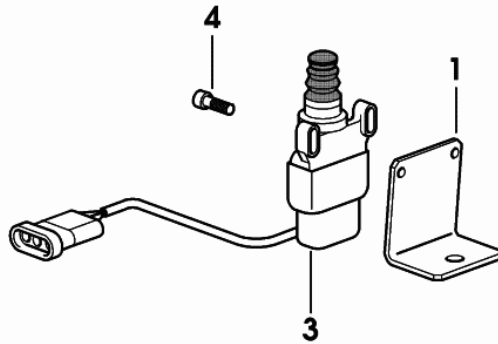
Fig.	Code	QTY	Name
1	2.7659.096.0/10	1	switch
2	2.0332.205.2	2	screw m 4x14
3	2.1310.028.2	2	flat washer 4.3x9
4	2.1470.052.2	2	lock washer 4



9_62084_13_0_0

Section: LIGHTING SYSTEM
SWITCH

Fig.	Code	QTY	Name
1	0.010.4717.0	1	support
3	2.7659.096.0/10	1	switch
4	2.0332.206.2	2	screw M4x0,7X16



9_A8166_02_0_0

EXPLORER 85 T

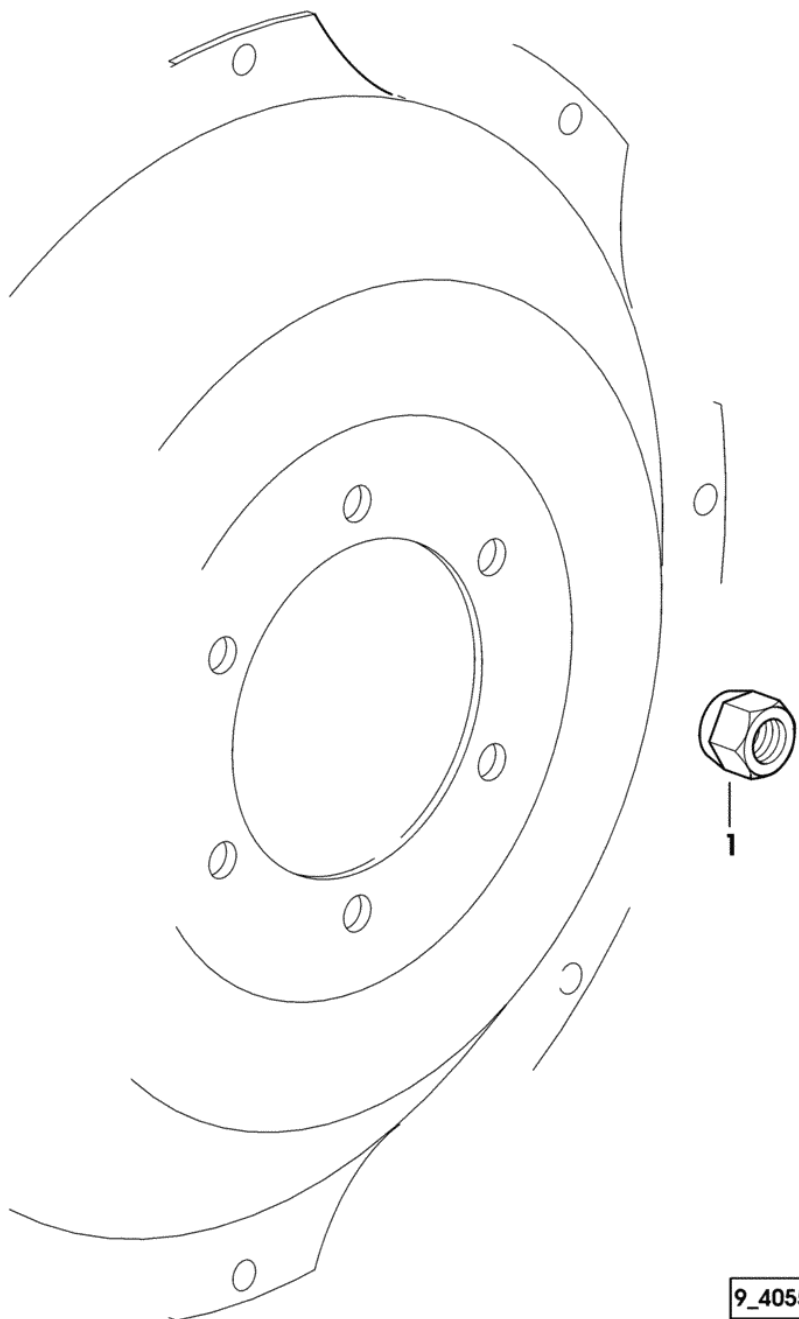
WHEELS

2WD - FRONT WHEEL MOUNTING.....	443
4WD - FRONT WHEEL MOUNTING.....	444
REAR WHEEL BOLTS.....	445
FLANGE.....	446
WHEELS 10.00x16" pr 6.....	448
WHEELS 7.50x18" pr 8.....	449
WHEELS 380/70R-20" a8.....	454
WHEELS 12.4R-24" a8.....	457
WHEELS 12.4R-24" a8.....	458
WHEELS 13.6R-24" a8.....	459
WHEELS 13.6R-24" a8.....	460
WHEELS 320/70r24" a8.....	465
WHEELS 420/70x24" a8.....	466
WHEELS 12.4R-28" a8.....	467
WHEELS 420/70R-28" a8.....	469
WHEELS 16.9R-30" a8.....	475
WHEELS 16.9R-30" a8.....	476
WHEELS 18.4R-30" a8.....	477
WHEELS 18.4R-30" a8.....	478
WHEELS 420/70R-30" a8.....	480
WHEELS 16.9R-34" a8.....	481
WHEELS 16.9R-34" a8.....	482
WHEELS 16.9R-34" a8.....	483
WHEELS 16.9R-34" a8.....	484
WHEELS 480/70R34".....	488
WHEELS 13.6R-38" a8.....	491

Section: WHEELS

2WD - FRONT WHEEL MOUNTING

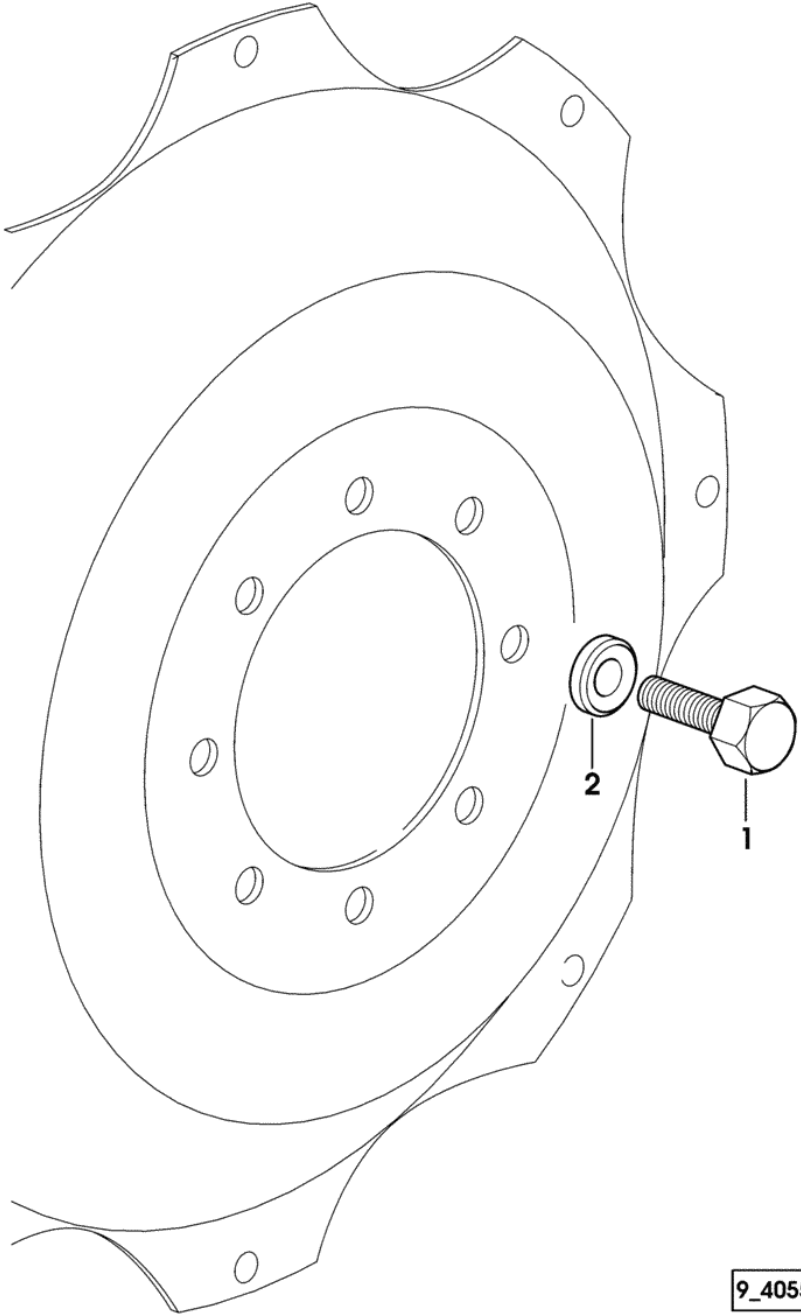
Fig.	Code	QTY	Name
1	2.1099.101.6	12	nut m 20 p.1.5



9_40555_01_0_0

Section: WHEELS
4WD - FRONT WHEEL MOUNTING

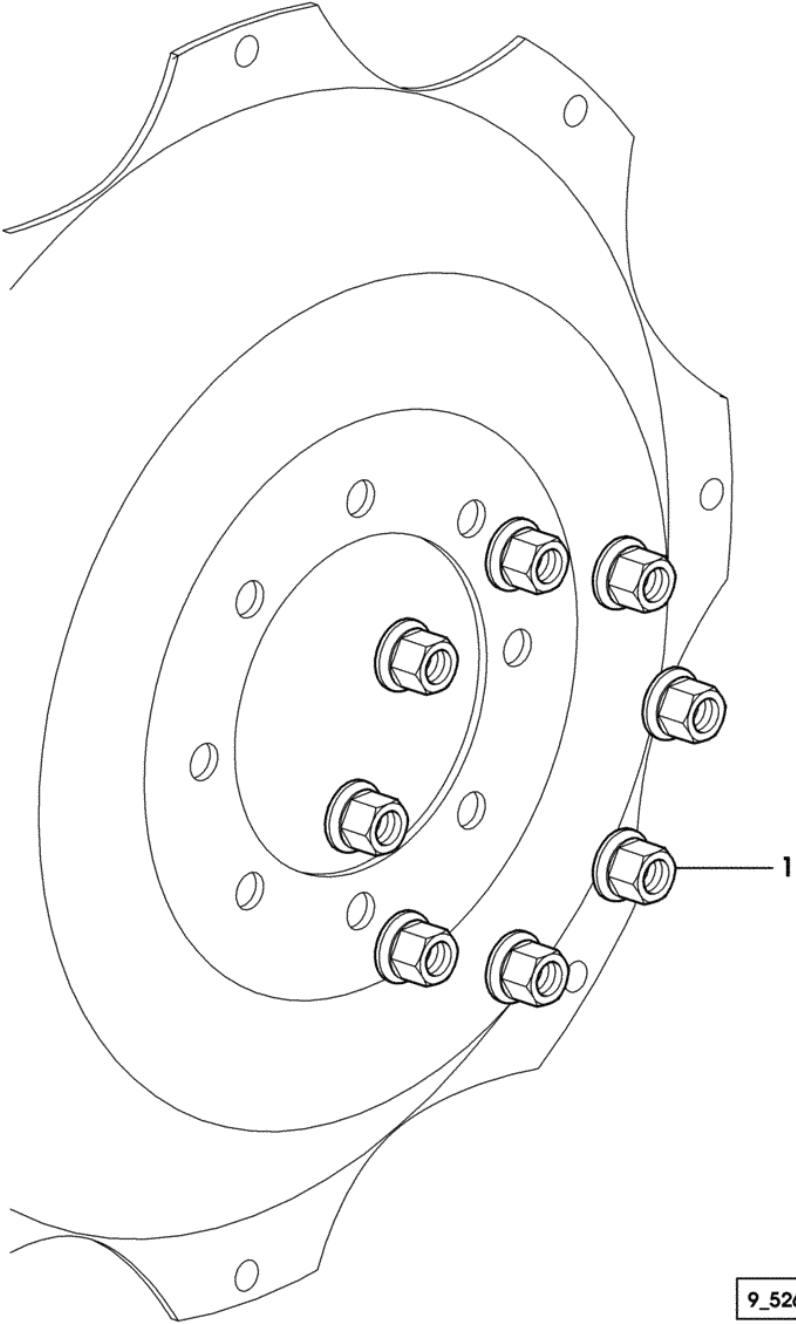
Fig.	Code	QTY	Name
1	2.0399.129.6	16	screw m 18 p.1.5x38
2	2.1599.501.6/10	16	washer 19x40x7.5



9_40555_02_0_0

Section: WHEELS
REAR WHEEL BOLTS

Fig.	Code	QTY	Name
1	2.1099.083.0/20	16	special nut m 20 p.1.5

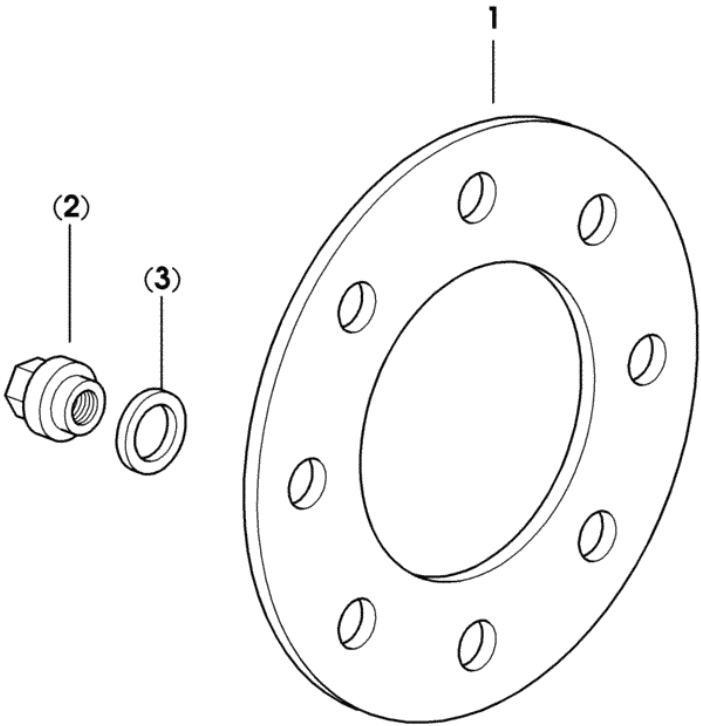


9_52655_03_0_0

Section: WHEELS

FLANGE

Fig.	Code	QTY	Name
1	0.011.5307.0/10	2	flange



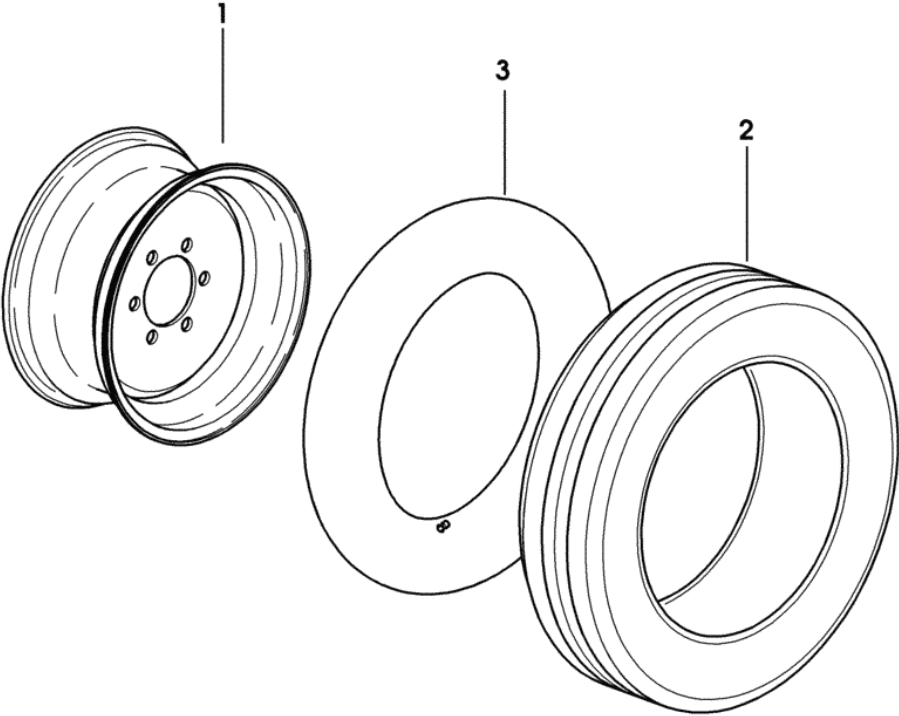
9_54655_05_0_0

Section: WHEELS
WHEELS 10.00x16" pr 6

Fig.	Code	QTY	Name
------	------	-----	------

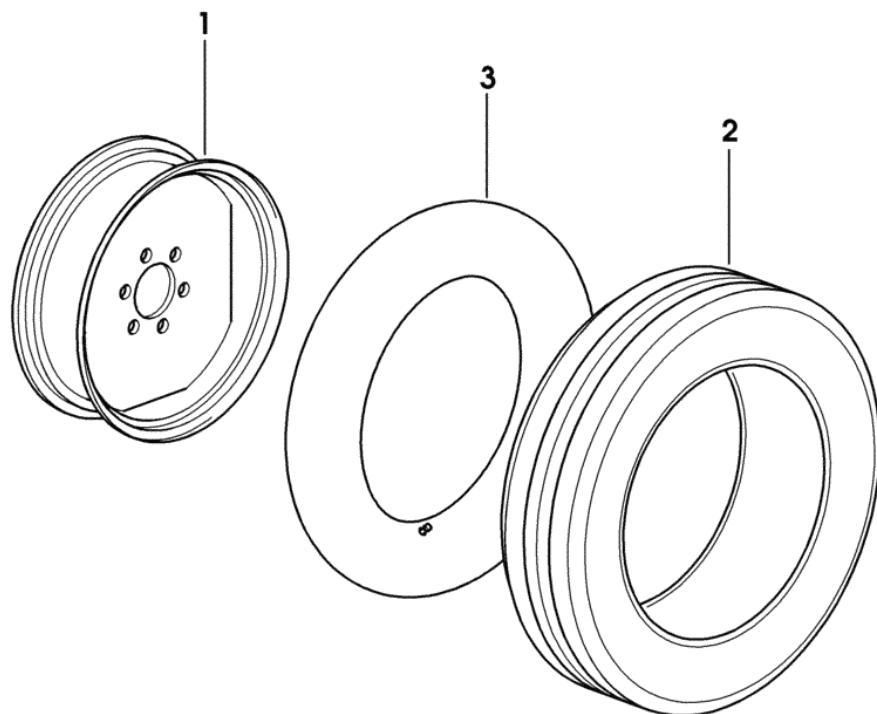
Notes:
1093 <- X EXPLORER 85 T

1	0.012.3077.3	2	rim W 8x16"
2	2.4819.065.0	2	tyre 10.00x16" pr 6
3	2.4829.028.0	2	air chamber



Section: WHEELS
WHEELS 7.50x18" pr 8

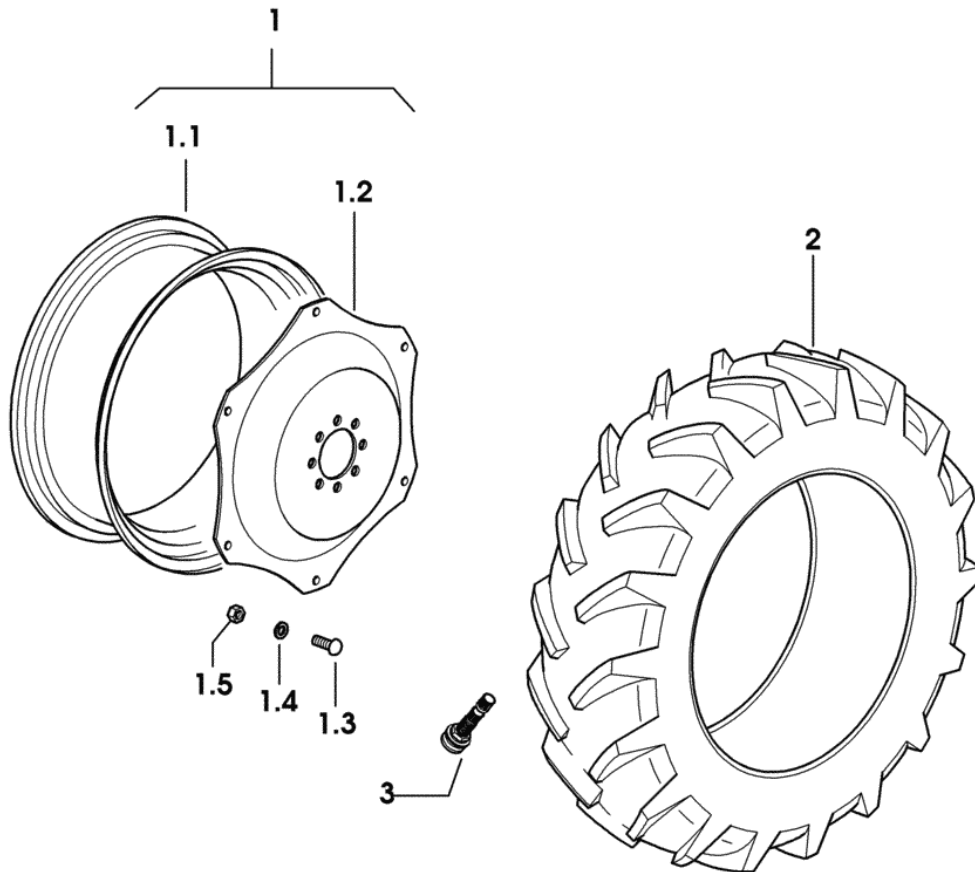
Fig.	Code	QTY	Name
1	0.012.3071.3	2	rim 5.50F X 18"
2	2.4810.022.0	2	tyre 7.50x18" pr 8
3	2.4820.015.0	2	air chamber



9_50855_12_0_0

Section: WHEELS
WHEELS 380/70R-20" a8

Fig.	Code	QTY	Name
1	0.000.0000.1	0	not serviceable
1.1	0.012.2850.3	1	rim W 11x20" C/ST
1.2	0.010.4806.0	1	rim center flange
1.3	2.0099.005.6	6	screw m 16 p.1.5
1.4	2.1499.019.6	6	conical washer 16.3x31.5
1.5	2.1019.059.6	6	nut m 16 p.1.5x16
2	2.4811.077.0	2	tyre 380/70R-20" a8
3	0.012.6364.0	2	valve



9_67255_20_0_0

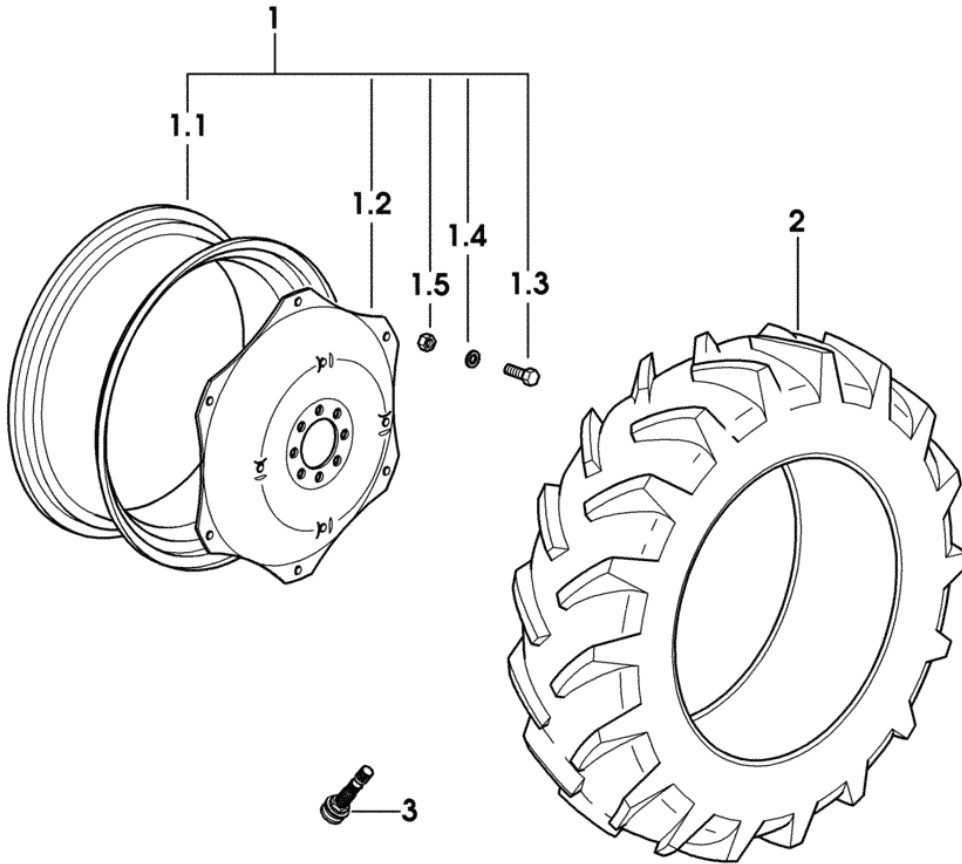
Section: WHEELS
WHEELS 12.4R-24" a8

Fig.	Code	QTY	Name
------	------	-----	------

Notes:

1120 <- X EXPLORER 75 T 1093 <- X EXPLORER 85 T 1133 <- X EXPLORER 95 T

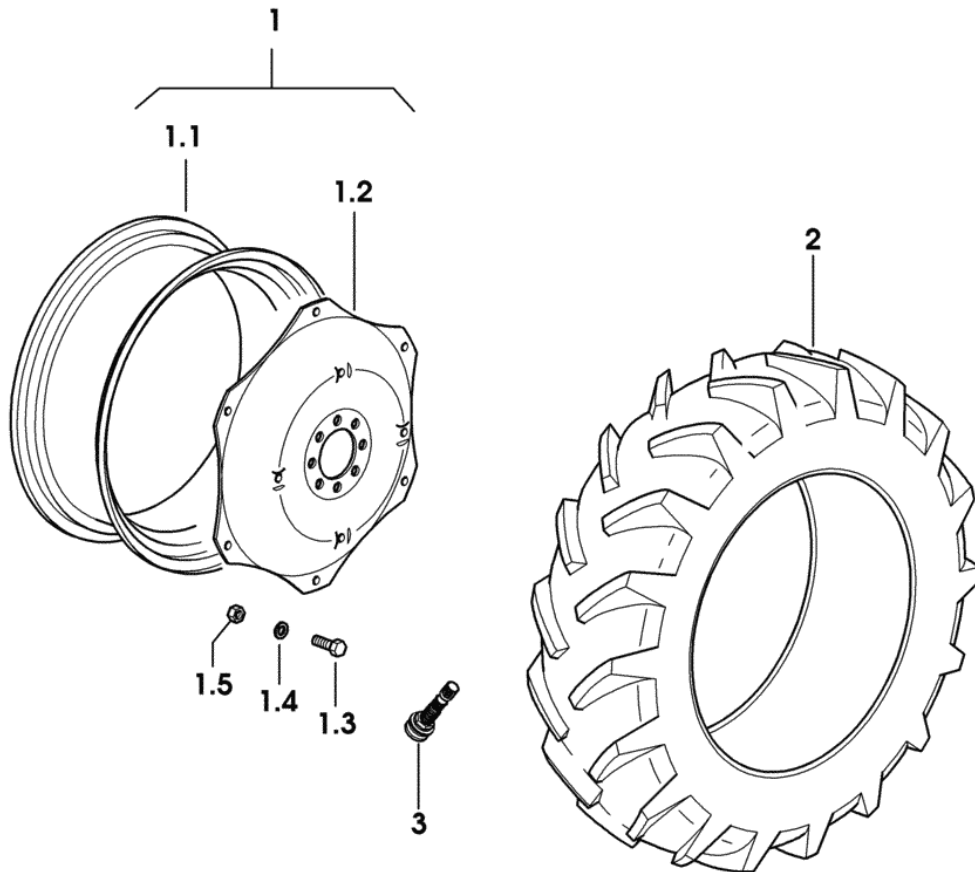
1	0.000.0000.1	0	not serviceable
1.1	0.012.2873.3	1	rim W 10x24" C/ST.
1.2	0.010.9752.0	1	flange
1.3	2.0099.005.6	6	screw m 16 p.1.5
1.4	2.1499.019.6	6	conical washer 16.3x31.5
1.5	2.1019.059.6	6	nut m 16 p.1.5x16
2	2.4811.053.0	2	tyre 12.4R-24" a8
3	0.012.6364.0	2	valve



9_65655_21_0_0

Section: WHEELS
WHEELS 12.4R-24" a8

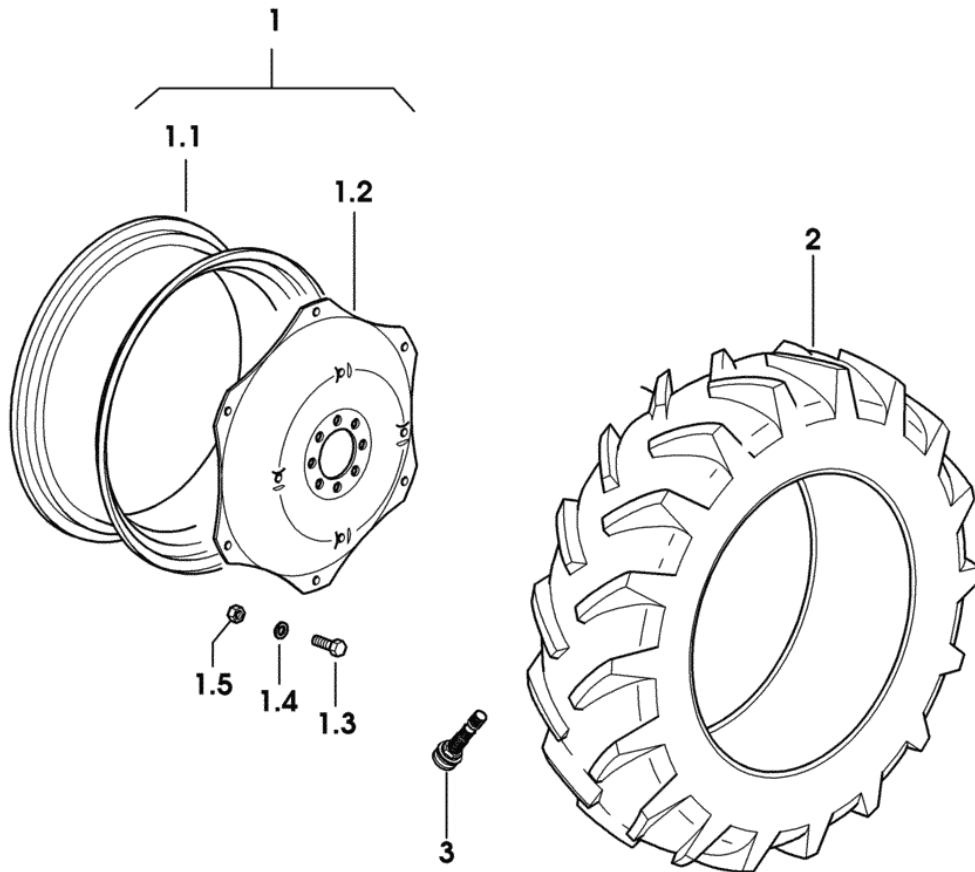
Fig.	Code	QTY	Name
1	0.000.0000.1	0	not serviceable
1.1	0.012.2797.3	1	rim W 10x24" C/ST.
1.2	0.010.9752.0	1	flange
1.3	2.0099.005.6	6	screw m 16 p.1.5
1.4	2.1499.019.6	6	conical washer 16.3x31.5
1.5	2.1019.059.6	6	nut m 16 p.1.5x16
2	2.4811.053.0	2	tyre 12.4R-24" a8
3	0.012.6364.0	2	valve



9_51155_21_0_0

Section: WHEELS
WHEELS 13.6R-24" a8

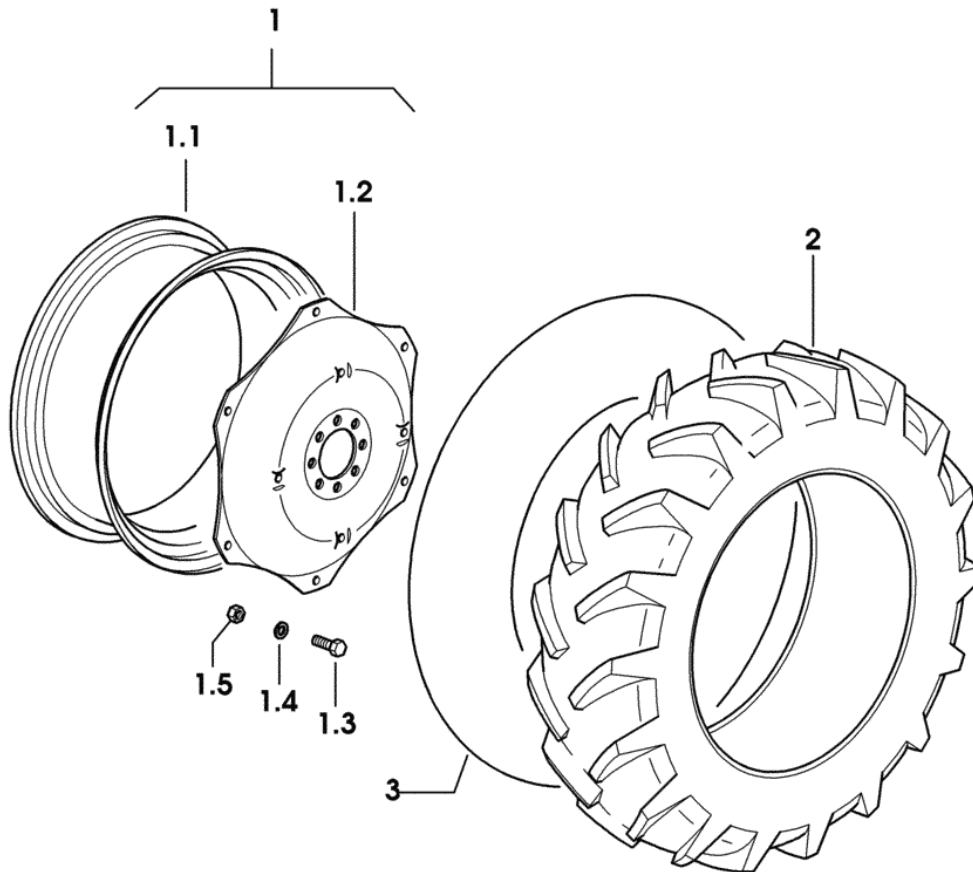
Fig.	Code	QTY	Name
1	0.000.0000.1	0	not serviceable
1.1	0.012.3047.3	1	rim W 12x24" C/ST
1.2	0.010.9752.0	1	flange
1.3	2.0099.005.6	6	screw m 16 p.1.5
1.4	2.1499.019.6	6	conical washer 16.3x31.5
1.5	2.1019.059.6	6	nut m 16 p.1.5x16
2	2.4811.063.0	2	tyre 13.6R-24" a8
3	0.012.6364.0	2	valve



9_51155_22_0_0

Section: WHEELS
WHEELS 13.6R-24" a8

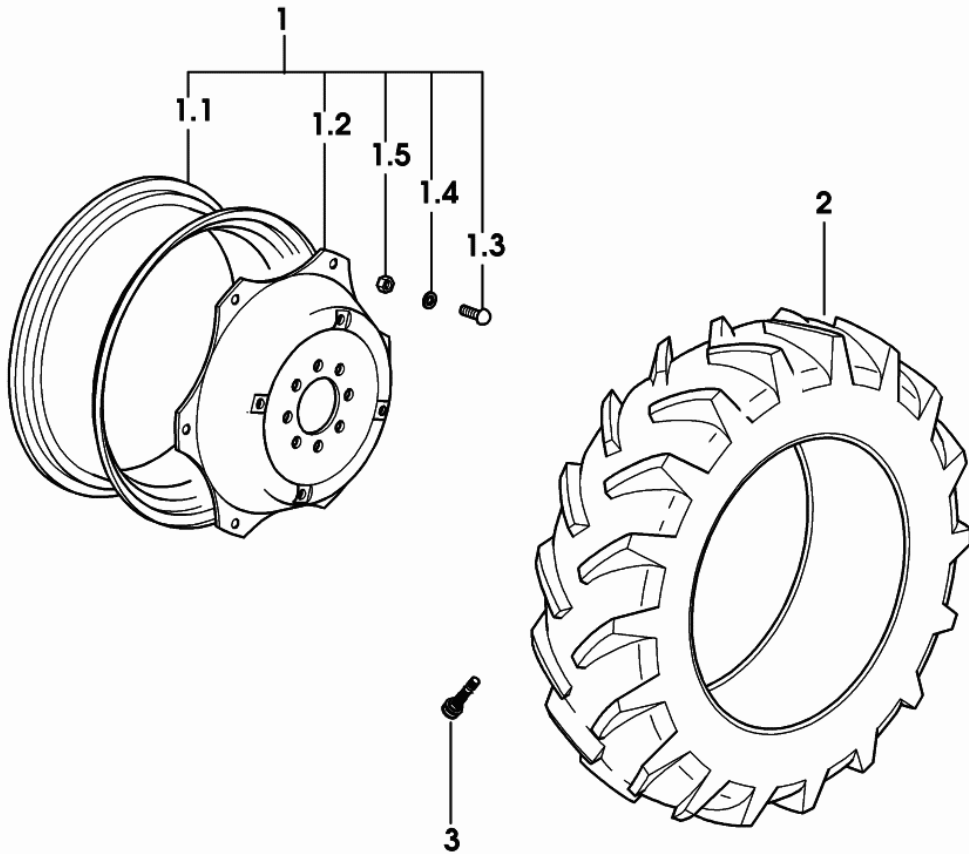
Fig.	Code	QTY	Name
1	0.000.0000.1	0	not serviceable
1.1	0.012.3047.3	1	rim W 12x24" C/ST
1.2	0.010.9752.0	1	flange
1.3	2.0099.005.6	6	screw m 16 p.1.5
1.4	2.1499.019.6	6	conical washer 16.3x31.5
1.5	2.1019.059.6	6	nut m 16 p.1.5x16
2	2.4811.063.0	2	tyre 13.6R-24" a8
3	2.4820.085.0	2	air chamber



9_65555_26_0_0

Section: WHEELS
WHEELS 320/70r24" a8

Fig.	Code	QTY	Name
1	0.000.0000.1	0	not serviceable
1.1	0.012.2873.3	1	rim W 10x24" C/ST.
1.2	0.010.9752.0	1	flange
1.3	2.0099.005.6	6	screw m 16 p.1.5
1.4	2.1499.019.6	6	conical washer 16.3x31.5
1.5	2.1019.059.6	6	nut m 16 p.1.5x16
2	2.4811.107.0	2	tyre 320/70r24" a8
3	0.012.6364.0	2	valve



Section: WHEELS
WHEELS 420/70x24" a8

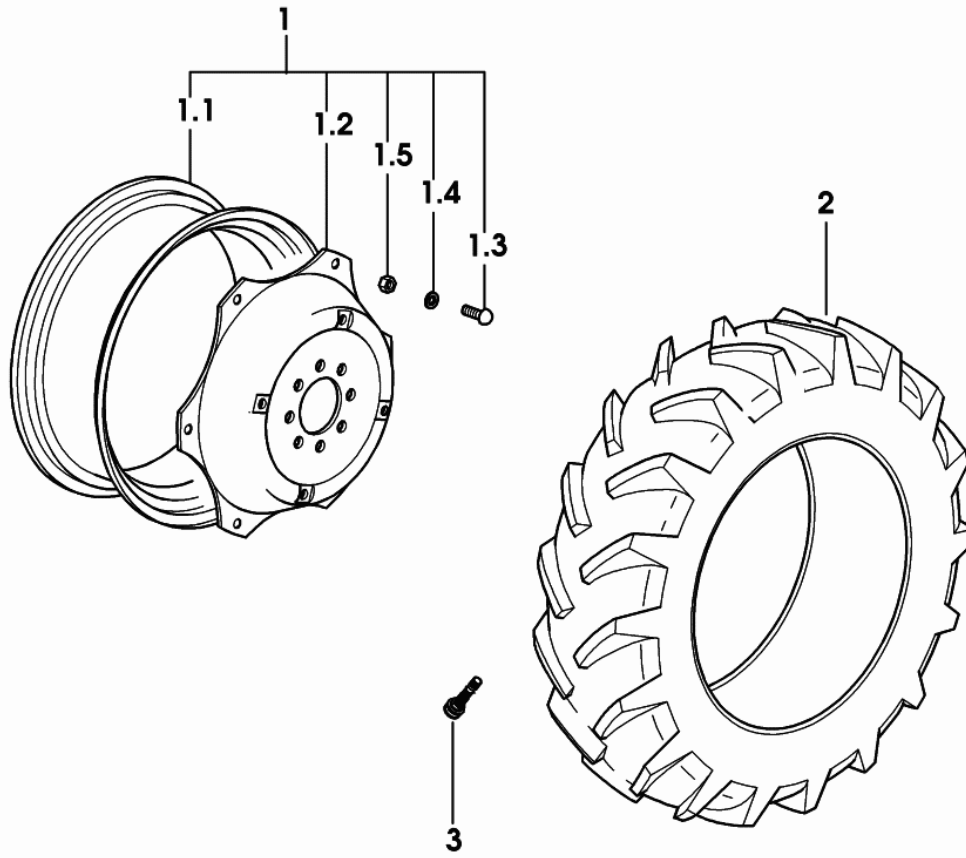
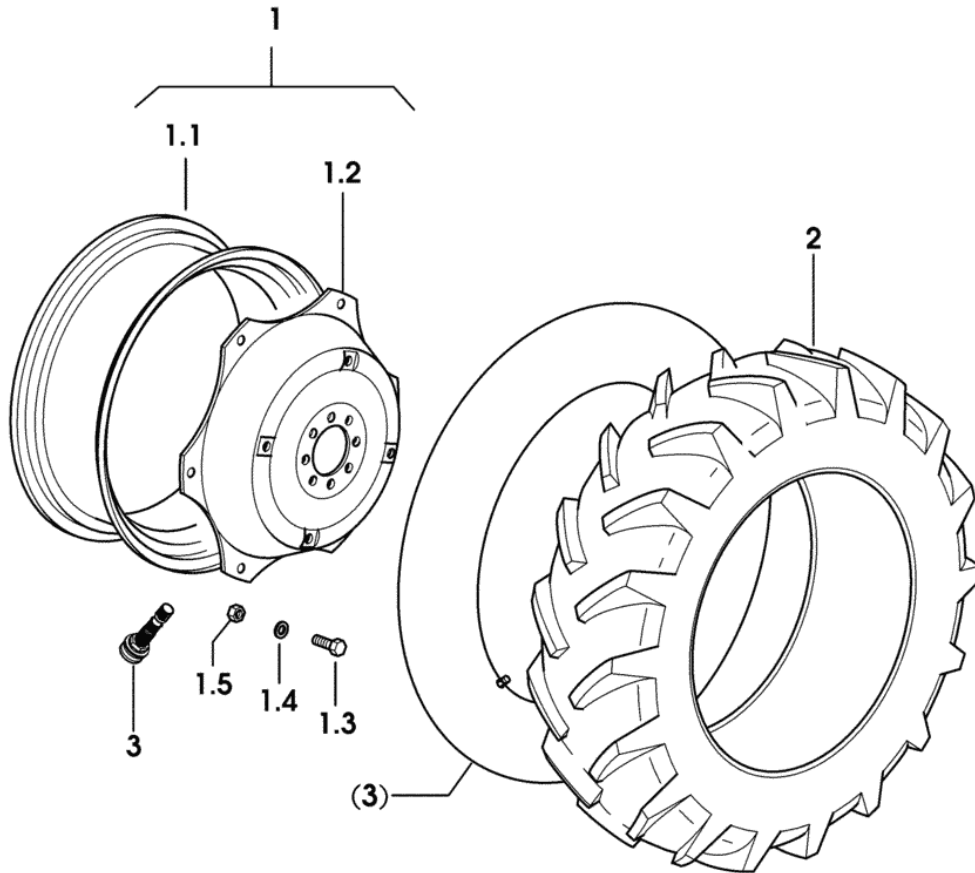


Fig.	Code	QTY	Name
1	0.000.0000.1	0	not serviceable
1.1	0.012.8987.3	1	rim W 13x24" C/ST.
1.2	0.010.9752.0	1	flange
1.3	2.0099.005.6	6	screw m 16 p.1.5
1.4	2.1499.019.6	6	conical washer 16.3x31.5
1.5	2.1019.059.6	6	nut m 16 p.1.5x16
2	2.4819.124.0	2	tyre 420/70x24" a8
3	0.012.6364.0	2	valve

Section: WHEELS
WHEELS 12.4R-28" a8

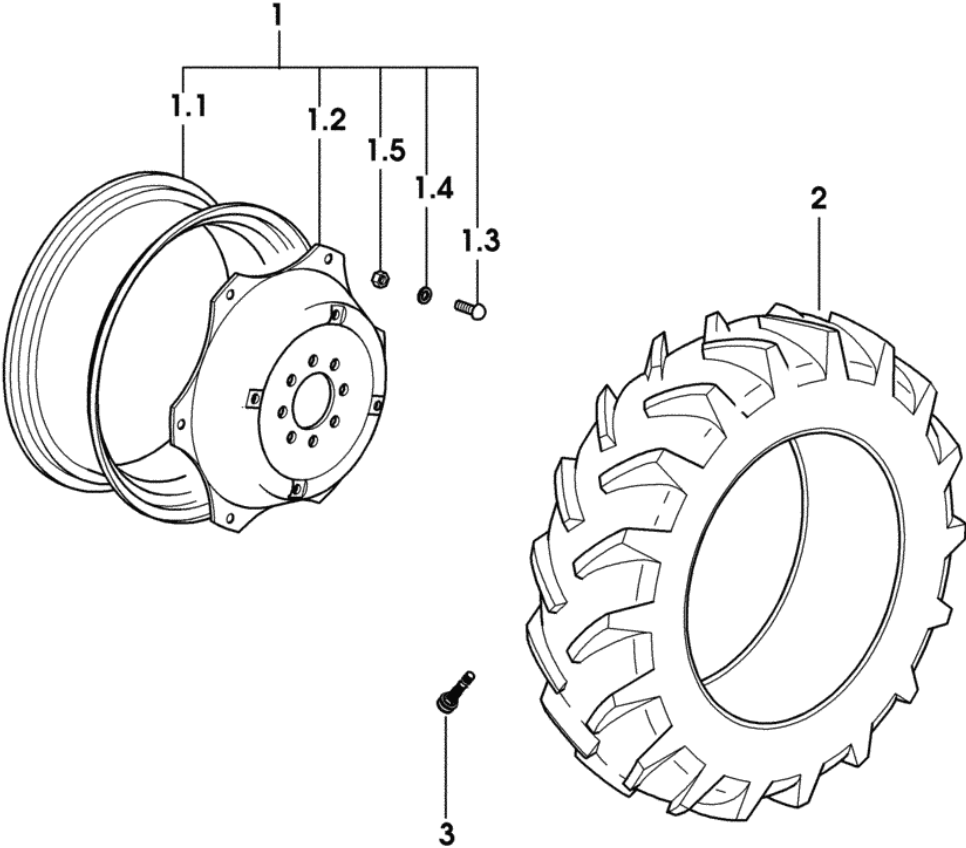
Fig.	Code	QTY	Name
1	0.000.0000.1	0	not serviceable
1.1	0.012.3013.3	1	rim W 10x28" C/ST.
1.2	0.255.5559.0/20	1	rim center flange
1.3	2.0399.030.6	6	screw m 18 p.1.5x45
1.4	2.1499.018.6	6	conical washer 18x35.5
1.5	2.1011.310.6	6	nut m 18 p.1.5
2	2.4811.060.0	2	tyre 12.4R-28" a8
3	0.012.6364.0	2	valve



9_51155_24_0_0

Section: WHEELS
WHEELS 420/70R-28" a8

Fig.	Code	QTY	Name
1	0.000.0000.1	0	not serviceable
1.1	0.011.6542.3	1	rim W 12x28" C/ST.
1.2	0.258.5551.0	1	rim center flange
1.3	2.0399.204.6/10	6	screw m 18 p.1.5x80
1.4	2.1499.018.6	6	conical washer 18x35.5
1.5	2.1019.060.6	6	nut m 18 p.1.5
2	2.4819.121.0	2	tyre 420/70R-28" a8
3	0.012.6364.0	2	valve



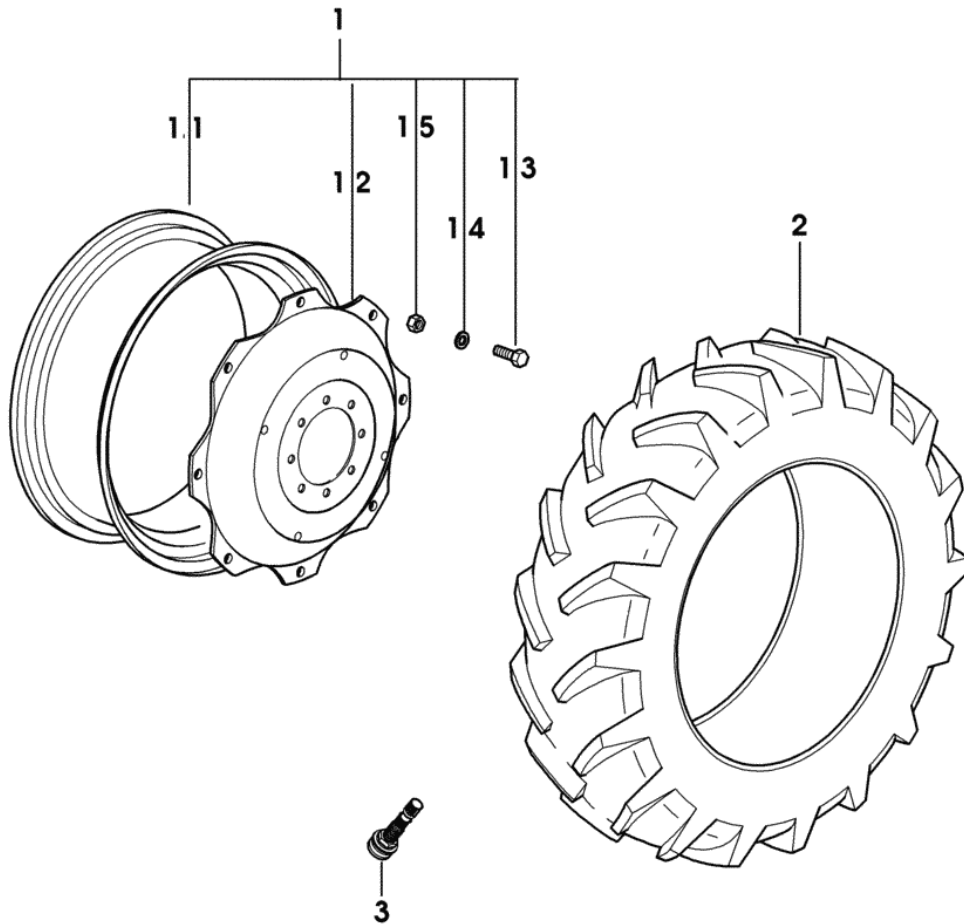
Section: WHEELS
WHEELS 16.9R-30" a8

Fig.	Code	QTY	Name
------	------	-----	------

Notes:

1120 <- X EXPLORER 75 T 1093 <- X EXPLORER 85 T 1133 <- X EXPLORER 95 T

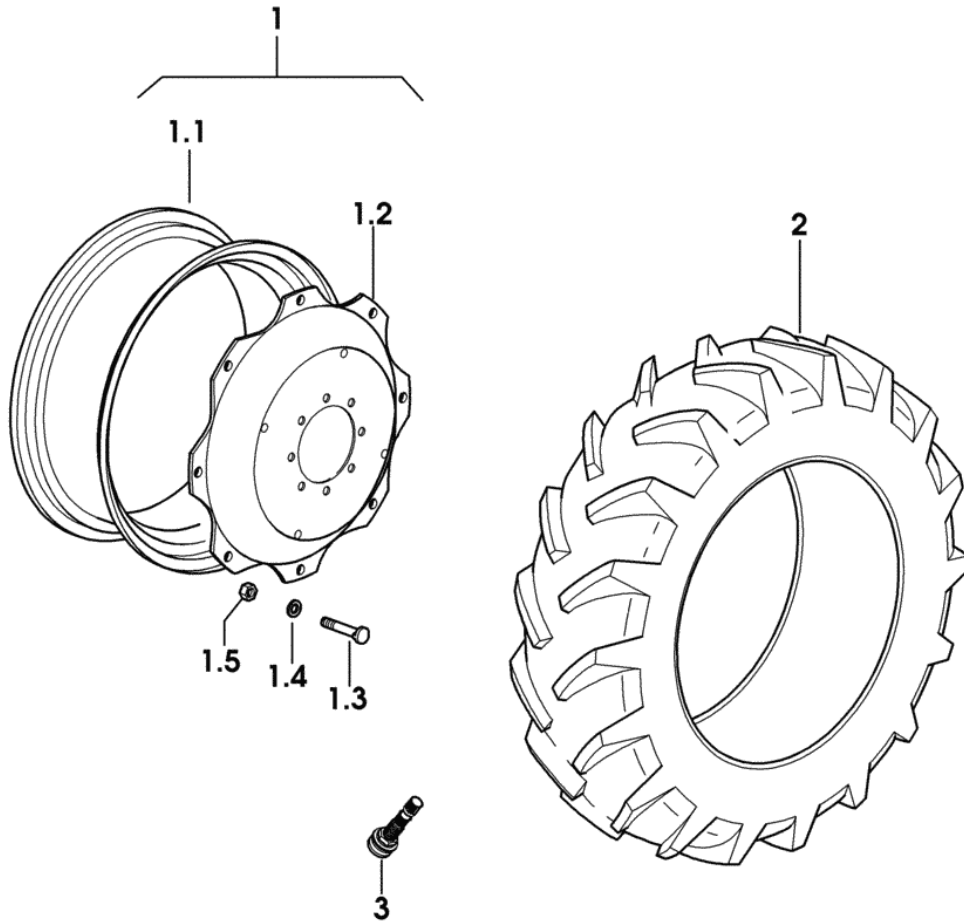
1	0.000.0000.1	0	not serviceable
1.1	0.012.2930.3/10	1	rim DWW 15Lx30" C/ST.
1.2	0.135.5526.0/20	1	rim center flange
1.3	2.0399.204.6/10	8	screw m 18 p.1.5x80
1.4	2.1499.018.6	8	conical washer 18x35.5
1.5	2.1019.060.6	8	nut m 18 p.1.5
2	2.4811.055.0	2	tyre 16.9R-30" a8
3	0.012.6364.0	2	valve



9_65655_40_0_0

Section: WHEELS
WHEELS 16.9R-30" a8

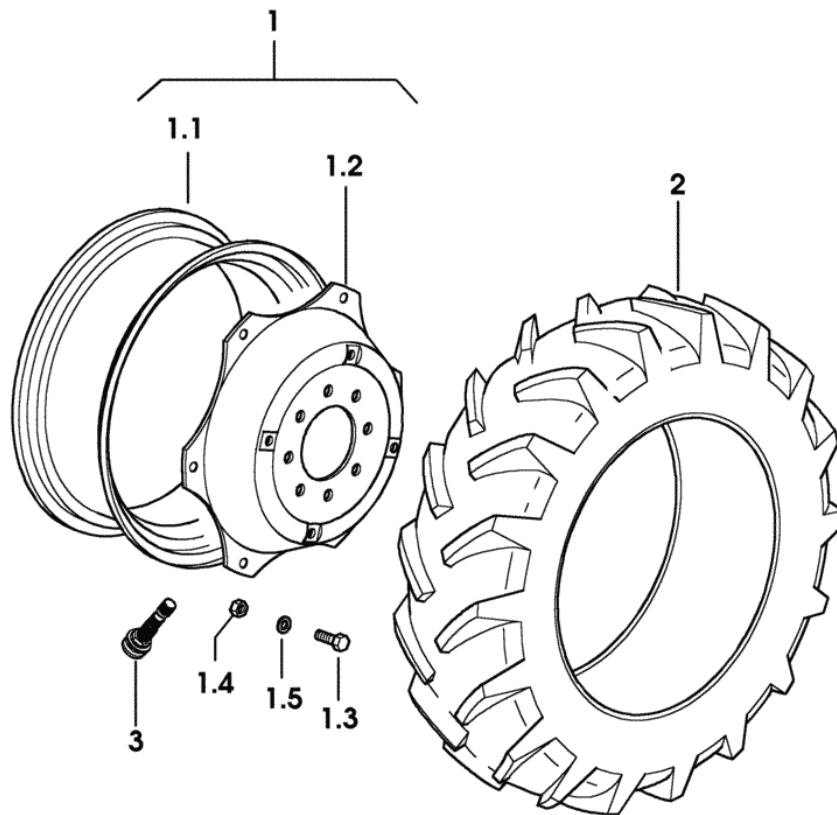
Fig.	Code	QTY	Name
1	0.000.0000.1	0	not serviceable
1.1	0.012.2930.3/10	1	rim DWW 15Lx30" C/ST.
1.2	0.135.5526.0/20	1	rim center flange
1.3	2.0399.204.6/10	8	screw m 18 p.1.5x80
1.4	2.1499.018.6	8	conical washer 18x35.5
1.5	2.1019.060.6	8	nut m 18 p.1.5
2	2.4811.055.0	2	tyre 16.9R-30" a8
3	0.012.6364.0	2	valve



9_55255_41_0_0

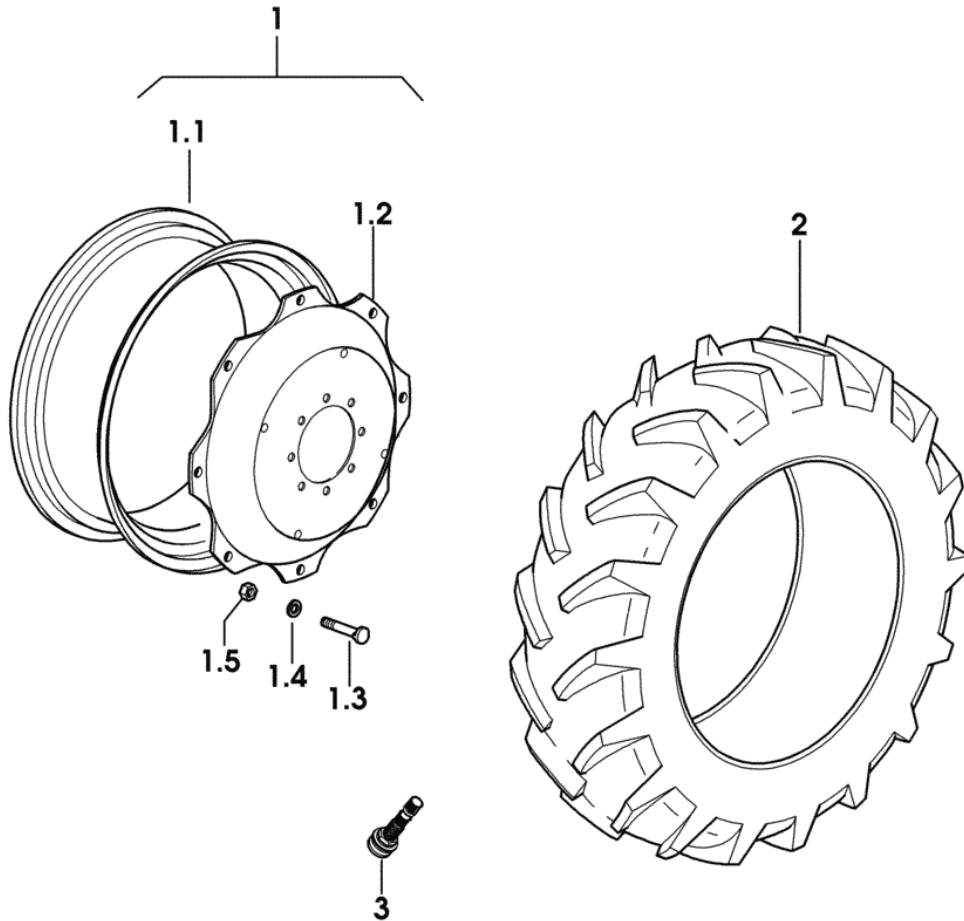
Section: WHEELS
WHEELS 18.4R-30" a8

Fig.	Code	QTY	Name
1	0.000.0000.1	0	not serviceable
1.1	0.012.2930.3/10	1	rim DWW 15Lx30" C/ST.
1.2	0.135.5526.0/20	1	rim center flange
1.3	2.0399.204.6/10	8	screw m 18 p.1.5x80
1.4	2.1499.018.6	8	conical washer 18x35.5
1.5	2.1019.060.6	8	nut m 18 p.1.5
2	2.4811.064.0	2	tyre 18.4R-30" a8
3	0.012.6364.0	2	valve



Section: WHEELS
WHEELS 18.4R-30" a8

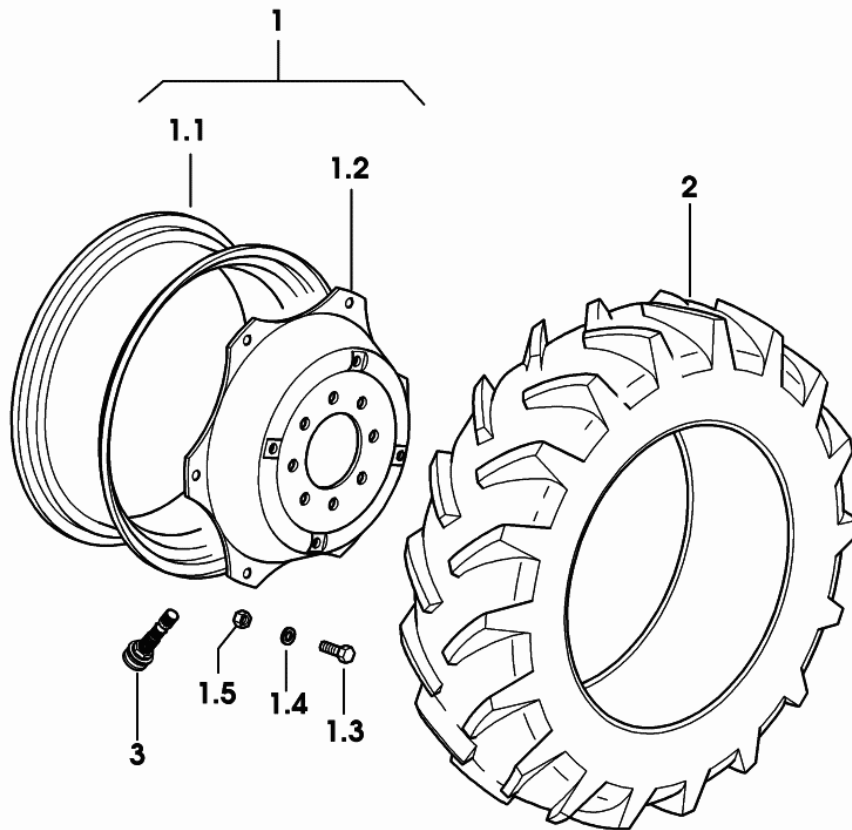
Fig.	Code	QTY	Name
1	0.000.0000.1	0	not serviceable
1.1	0.012.2930.3/10	1	rim DWW 15Lx30" C/ST.
1.2	0.135.5526.0/20	1	rim center flange
1.3	2.0399.204.6/10	8	screw m 18 p.1.5x80
1.4	2.1499.018.6	8	conical washer 18x35.5
1.5	2.1019.060.6	8	nut m 18 p.1.5
2	2.4811.064.0	2	tyre 18.4R-30" a8
3	2.4820.080.0	2	air chamber



9_51155_45_0_0

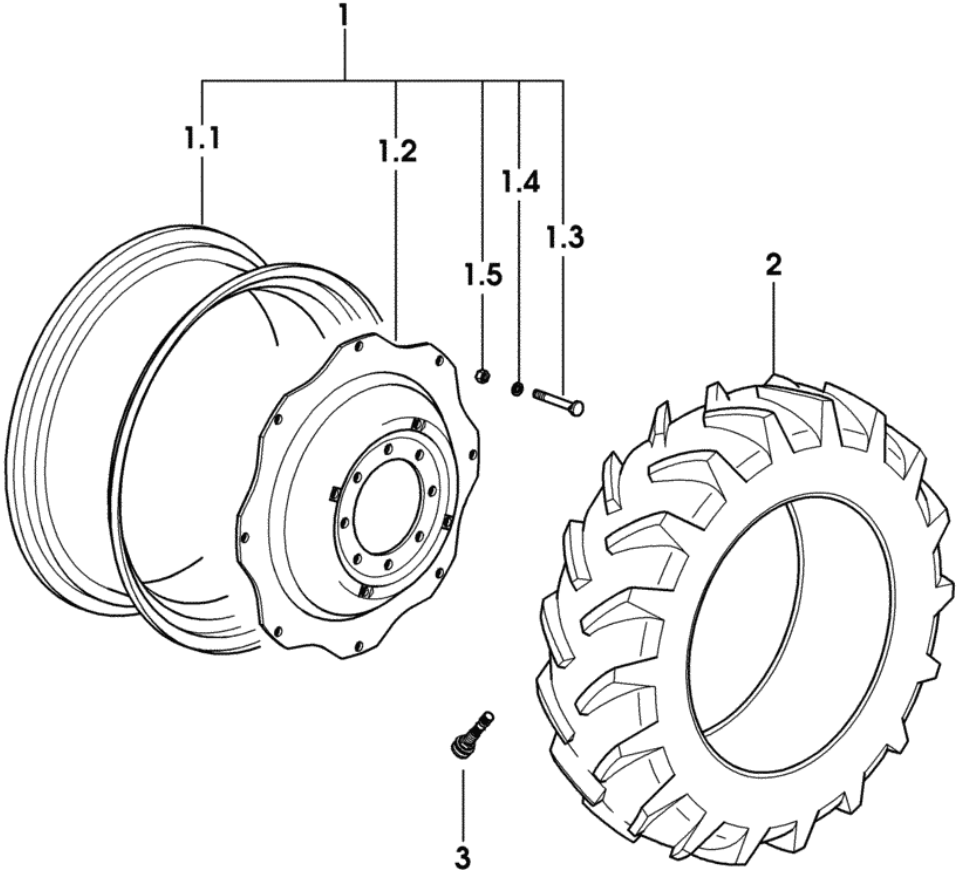
Section: WHEELS
WHEELS 420/70R-30" a8

Fig.	Code	QTY	Name
1	0.000.0000.1	0	not serviceable
1.1	0.012.2976.3	1	rim DWW 12x30" C/ST
1.2	0.258.5551.0	1	rim center flange
1.3	2.0399.030.6	6	screw m 18 p.1.5x45
1.4	2.1499.018.6	6	conical washer 18x35.5
1.5	2.1011.310.6	6	nut m 18 p.1.5
2	2.4811.091.0	2	tyre 420/70R-30" a8
3	0.012.6364.0	2	valve



Section: WHEELS
WHEELS 16.9R-34" a8

Fig.	Code	QTY	Name
1	0.000.0000.1	0	not serviceable
1.1	0.011.8127.3	1	rim DWW 15LX34" C/ST.
1.2	0.155.5553.0/20	1	rim center flange
1.3	2.0399.204.6/10	8	screw m 18 p.1.5x80
1.4	2.1499.018.6	8	conical washer 18x35.5
1.5	2.1019.060.6	8	nut m 18 p.1.5
2	2.4811.062.0	2	tyre 16.9R-34" a8
3	0.012.6364.0	2	valve



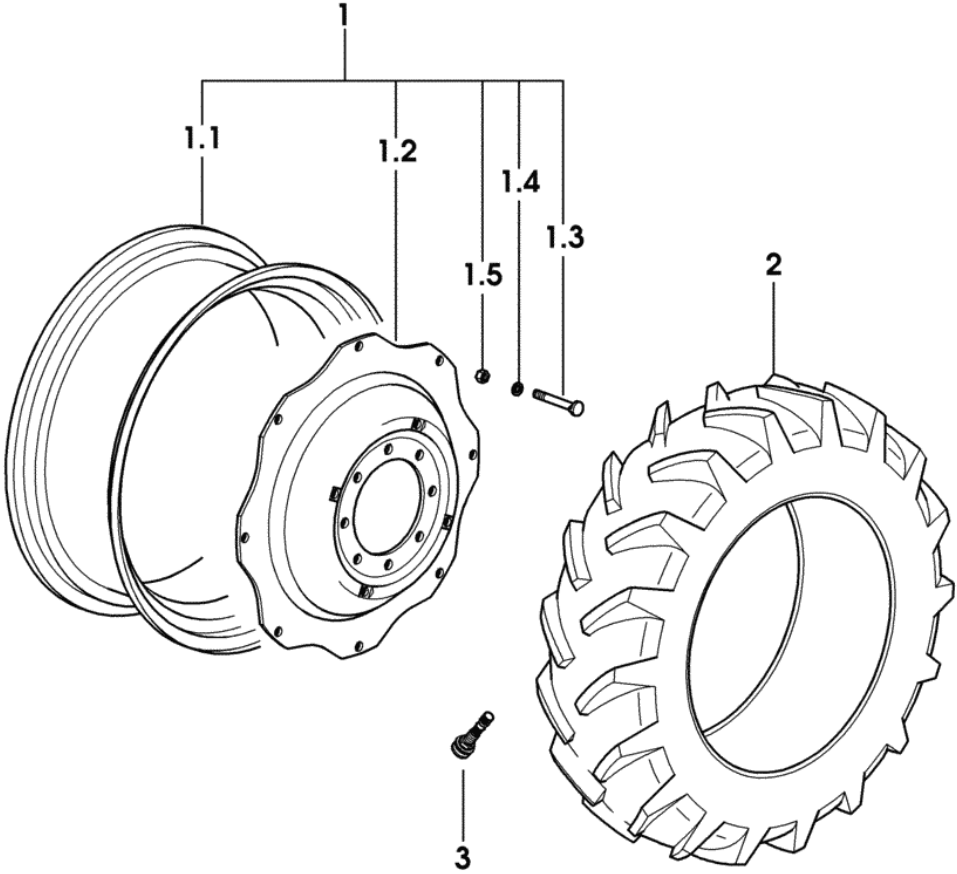
Section: WHEELS
WHEELS 16.9R-34" a8

Fig.	Code	QTY	Name
------	------	-----	------

Notes:

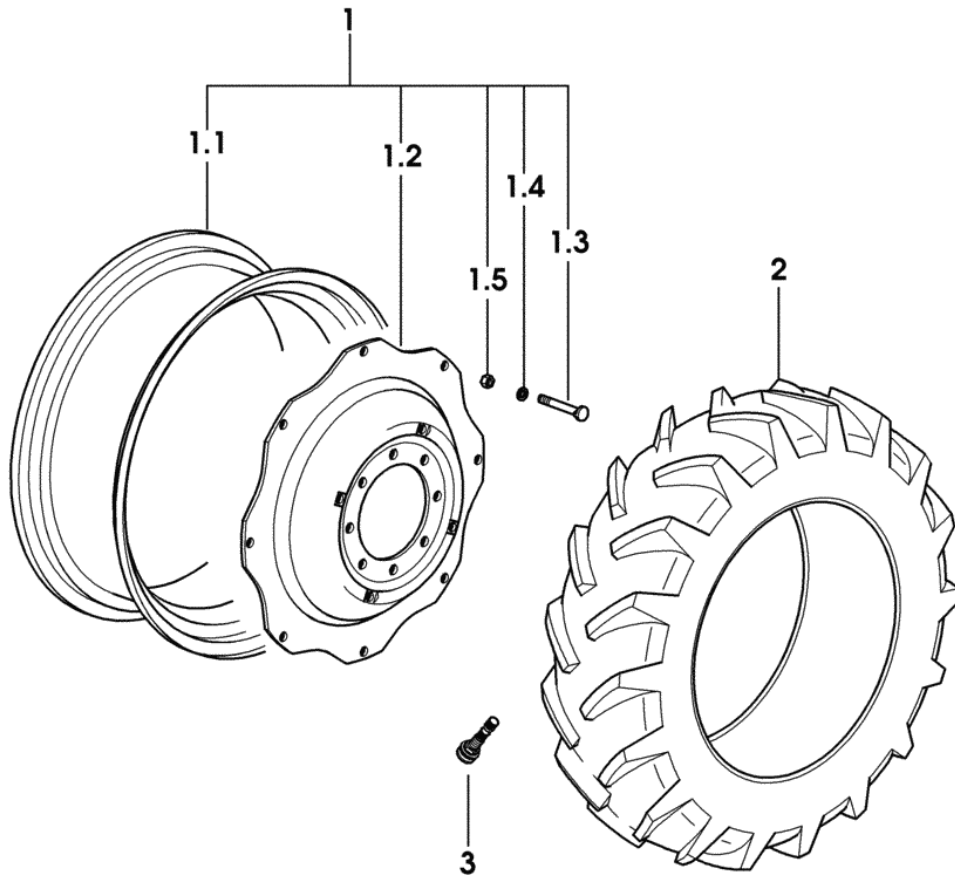
1093 <- X EXPLORER 85 T 1133 <- X EXPLORER 95 T

1	0.000.0000.1	0	not serviceable
1.1	0.011.8127.3	1	rim DWW 15LX34" C/ST.
1.2	0.155.5553.0/20	1	rim center flange
1.3	2.0399.204.6/10	8	screw m 18 p.1.5x80
1.4	2.1499.018.6	8	conical washer 18x35.5
1.5	2.1019.060.6	8	nut m 18 p.1.5
2	2.4811.062.0	2	tyre 16.9R-34" a8
3	0.012.6364.0	2	valve



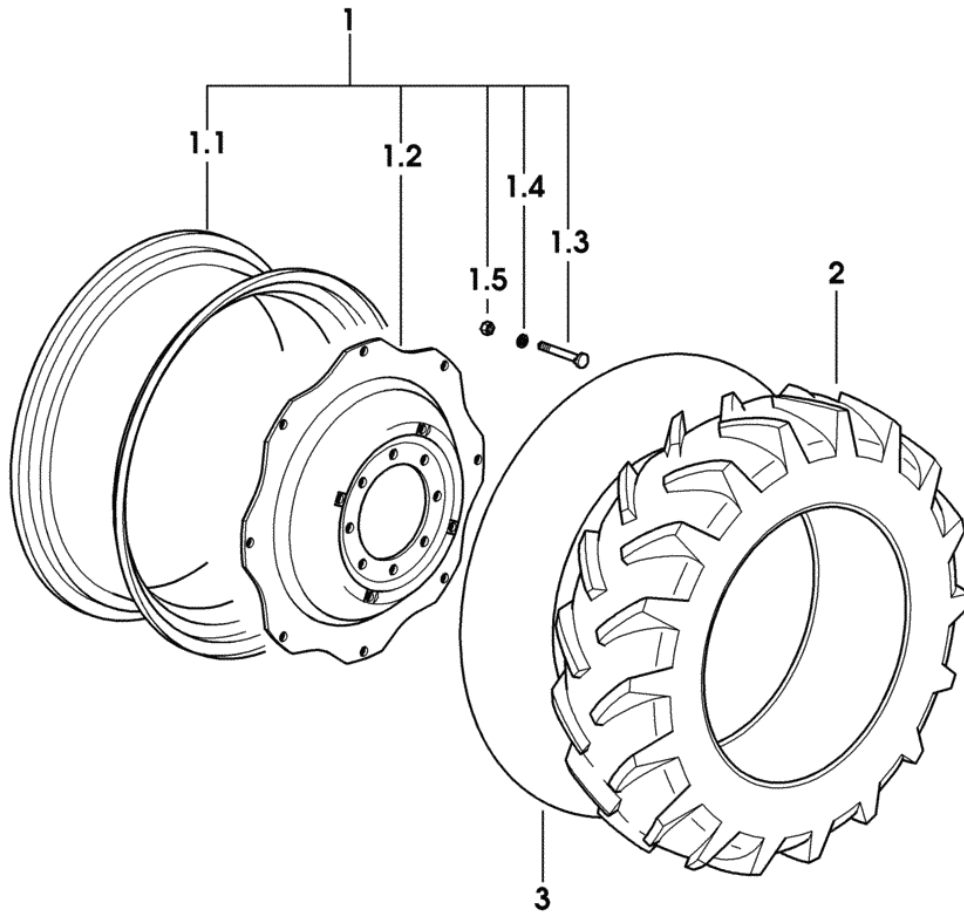
Section: WHEELS
WHEELS 16.9R-34" a8

Fig.	Code	QTY	Name
1	0.000.0000.1	0	not serviceable
1.1	0.011.8127.3	1	rim DWW 15LX34" C/ST.
1.2	0.155.5553.0/20	1	rim center flange
1.3	2.0399.204.6/10	8	screw m 18 p.1.5x80
1.4	2.1499.018.6	8	conical washer 18x35.5
1.5	2.1019.060.6	8	nut m 18 p.1.5
2	2.4811.062.0	2	tyre 16.9R-34" a8
3	0.012.6364.0	2	valve



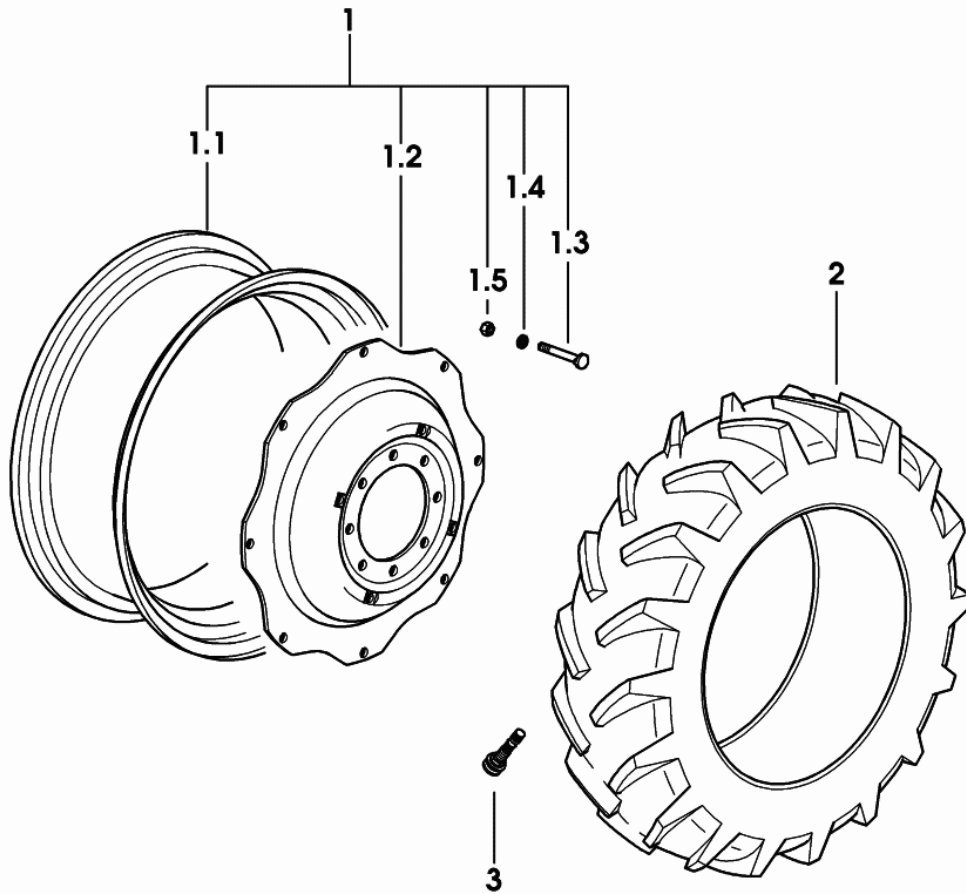
Section: WHEELS
WHEELS 16.9R-34" a8

Fig.	Code	QTY	Name
1	0.000.0000.1	0	not serviceable
1.1	0.011.8127.3	1	rim DWW 15LX34" C/ST.
1.2	0.155.5553.0/20	1	rim center flange
1.3	2.0399.204.6/10	8	screw m 18 p.1.5x80
1.4	2.1499.018.6	8	conical washer 18x35.5
1.5	2.1019.060.6	8	nut m 18 p.1.5
2	2.4811.062.0	2	tyre 16.9R-34" a8
3	2.4820.041.0	2	air chamber



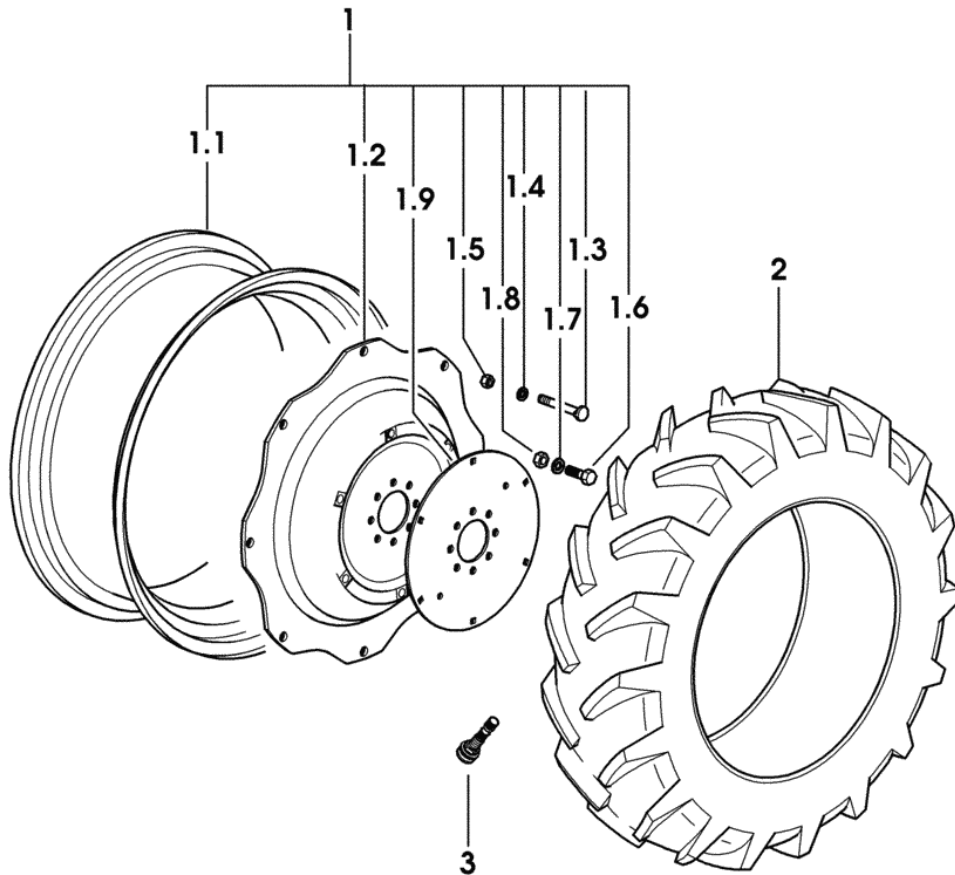
Section: WHEELS
WHEELS 480/70R34"

Fig.	Code	QTY	Name
1	0.000.0000.1	0	not serviceable
1.1	0.011.8127.3	1	rim DWW 15LX34" C/ST.
1.2	0.155.5553.0/20	1	rim center flange
1.3	2.0399.204.6/10	8	screw m 18 p.1.5x80
1.4	2.1499.018.6	8	conical washer 18x35.5
1.5	2.1019.060.6	8	nut m 18 p.1.5
2	2.4811.158.0	2	tyre 480/70R34"
3	0.012.6364.0	2	valve



Section: WHEELS
WHEELS 13.6R-38" a8

Fig.	Code	QTY	Name
1	0.000.0000.1	0	not serviceable
1.1	0.012.2881.3	1	rim DWW 12X38" C/ST
1.2	0.163.5526.0/10	1	rim center flange
1.3	2.0399.204.6/10	8	screw m 18 p.1.5x80
1.4	2.1499.018.6	8	conical washer 18x35.5
1.5	2.1019.060.6	8	nut m 18 p.1.5
1.6	2.0122.617.6	6	screw m 16 p.1.5x45
1.7	2.1310.010.6	6	washer 17x30
1.8	2.1019.059.6	6	nut m 16 p.1.5x16
1.9	0.013.1110.0	1	flange
2	2.4811.061.0	2	tyre 13.6R-38" a8
3	0.012.6364.0	2	valve



EXPLORER 85 T

S.A.C.

S.A.C. CASE.....	495
FASTENINGS.....	496
OIL FILLER NECK.....	497
LIFTING.....	499
HYDRAULIC CYLINDERS mm 42.....	501
BRACKET.....	502
INTERNAL AND EXTERNAL CONTROLS.....	507
INTERNAL AND EXTERNAL CONTROLS.....	508
CONTROL CONSOLE.....	511
CONTROL TIE RODS AND LEVERS.....	515
SENSITIVE ELEMENTS.....	522
S.A.C. GROUND CONTROL.....	524

Section: S.A.C.

S.A.C. CASE

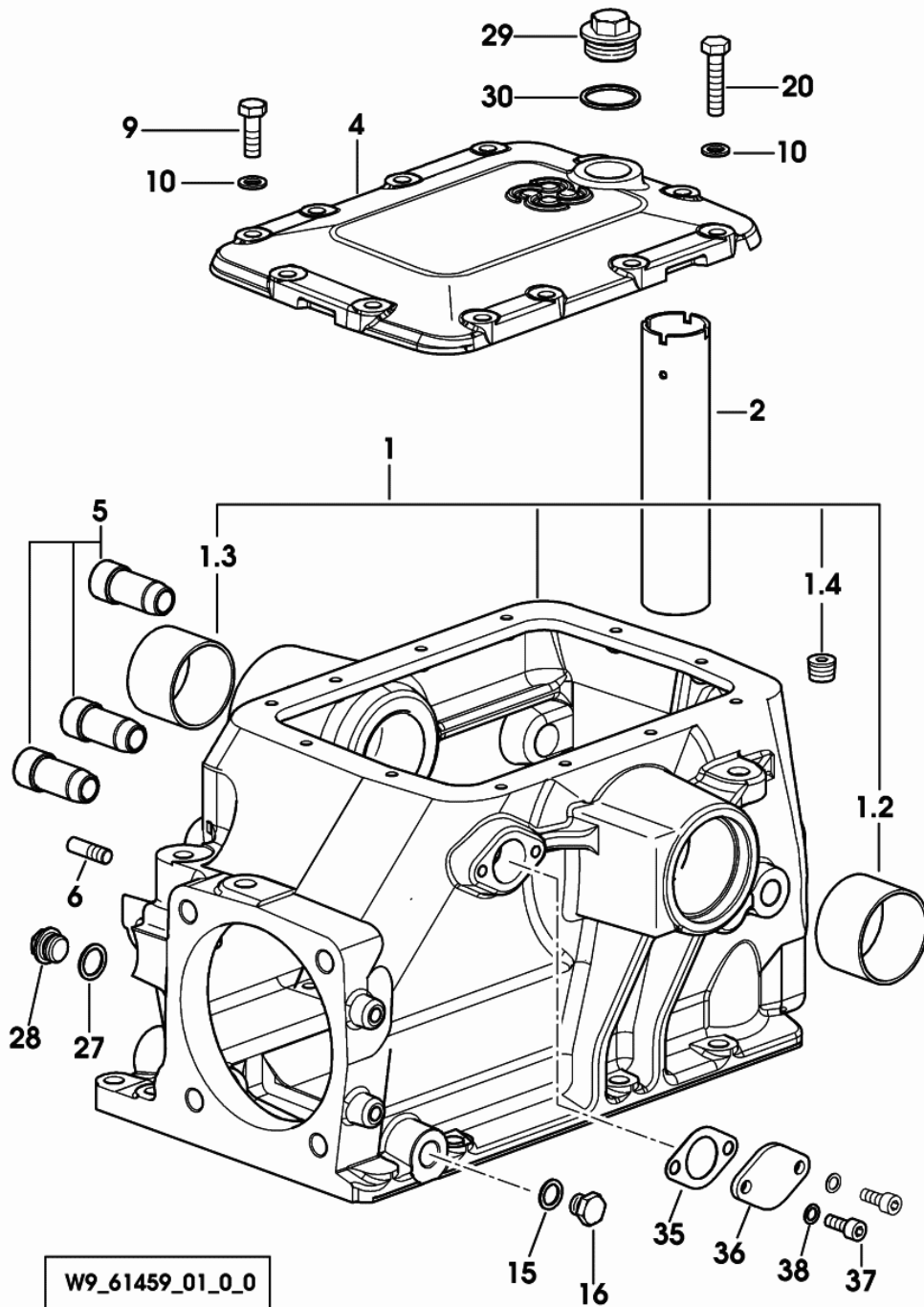


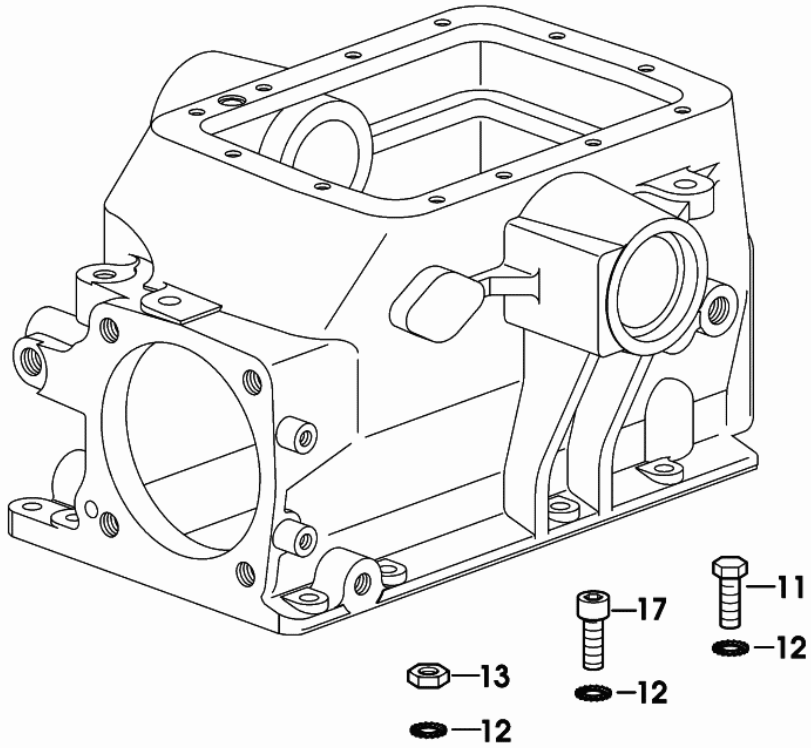
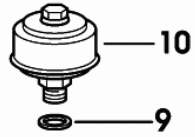
Fig.	Code	QTY	Name
1	0.009.3412.3/40	1	box
1.2	2.1555.621.0	2	bushing 60x65x40
1.3	2.1555.620.0	2	bushing 55x60x40
1.4	2.3131.004.2	2	plug m 18 p.1.5
2	0.9131.150.0	1	tube
4	0.9107.114.0	1	cover
5	0.001.3659.0	3	bushing
6	2.0599.007.1/10	1	screw m 10 p.1.5
9	2.0112.311.2	6	screw m 10 p.1.5x30
10	2.1470.006.2	12	lock washer 10
15	2.1560.010.0	1	gasket 14.2x20
16	2.3110.403.7	1	plug m 14 p.1.5
20	2.0112.317.2	6	screw m 10 p.1.5x45
27	2.1560.014.0	1	gasket 18.2x24x1.5
28	2.3110.405.1	1	plug m 18 p.1.5x15
29	2.3110.516.1	1	plug 1 gas
30	2.1560.056.0	1	gasket 33x39
35	0.445.6350.0/10	1	gasket
36	0.009.3446.0	1	flange
37	2.0312.206.2	2	screw m 8 p.1.25x20
38	2.1480.014.2	2	washer

W9_61459_01_0_0

9_40559_02_0_0

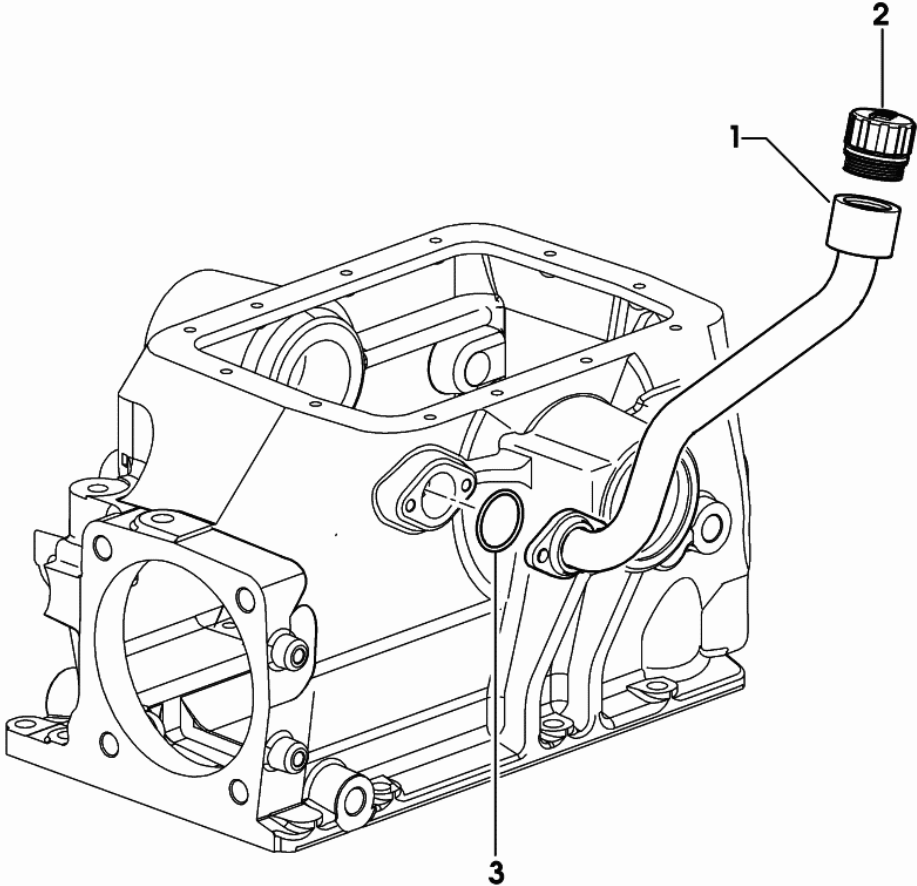
Section: S.A.C.
FASTENINGS

Fig.	Code	QTY	Name
9	2.1560.010.0	1	gasket 14.2x20
10	0.445.3150.4/10	1	filter
11	2.0112.413.2	5	screw m 12 p.1.75x35
12	2.1470.007.2	10	lock washer 12
13	2.1011.422.2	2	nut m 12 p.1.25
17	2.0312.412.2	3	screw m 12 p.1.75x35



Section: S.A.C.
OIL FILLER NECK

Fig.	Code	QTY	Name
1	0.014.1747.3	1	tube
2	2.1532.092.0	1	ring
3	2.3199.255.0	1	plug



9_C2359_05_0_0

Section: S.A.C.

LIFTING

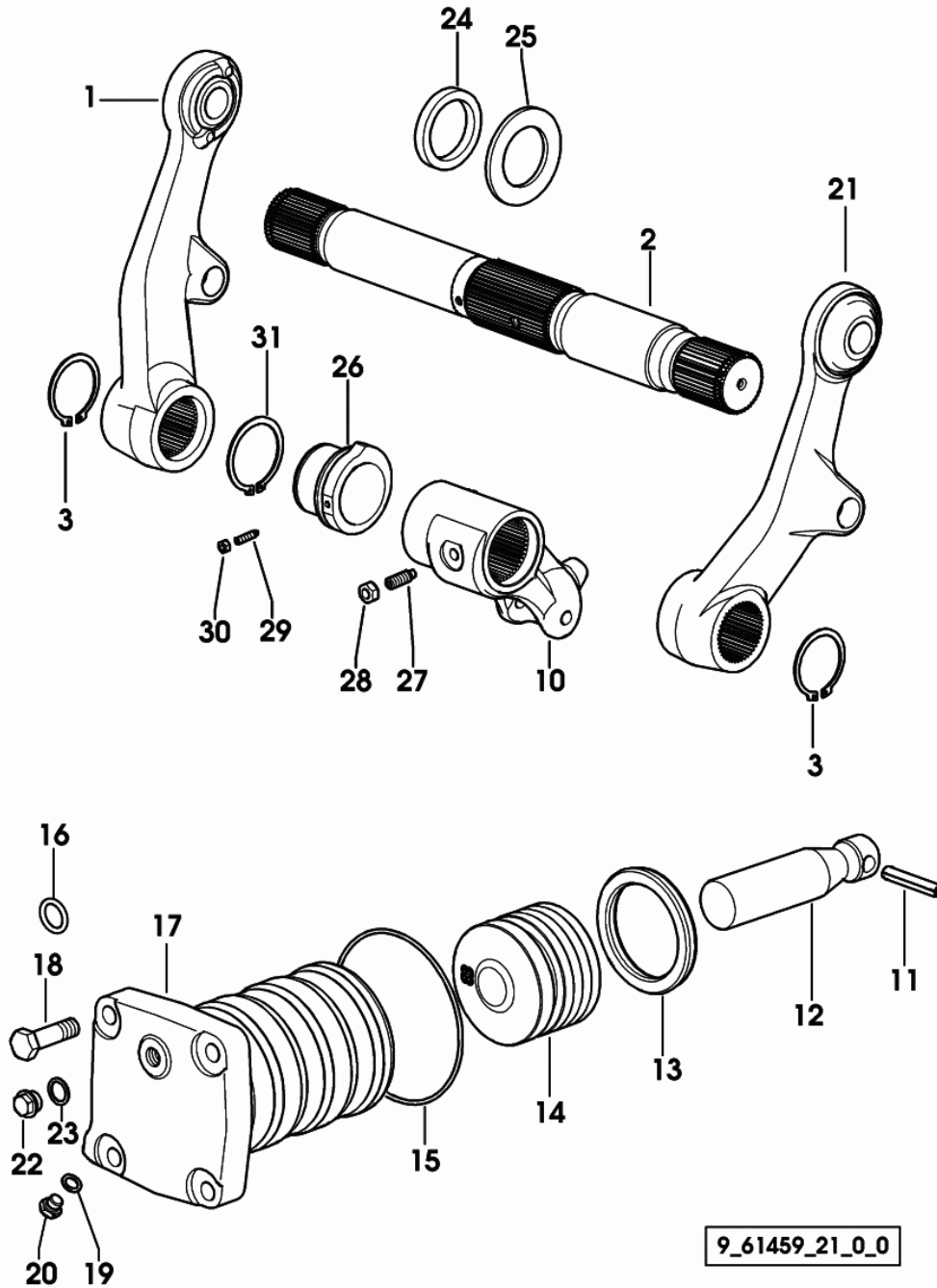


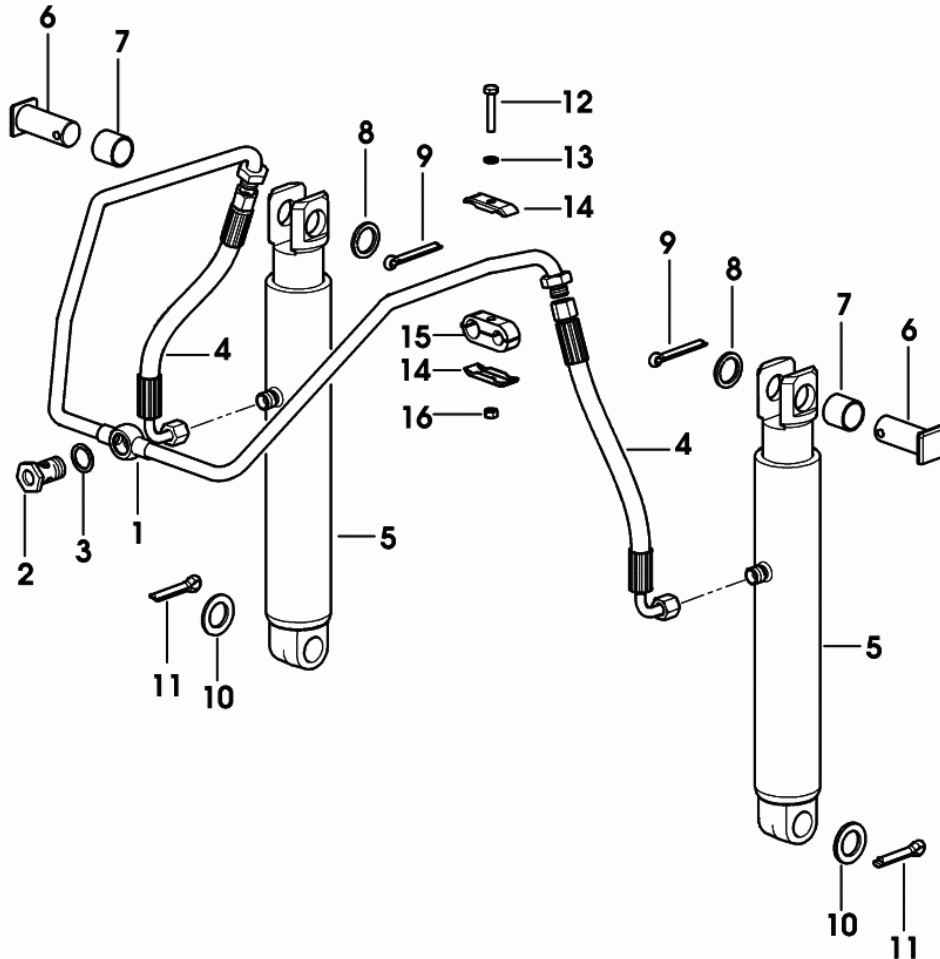
Fig.	Code	QTY	Name
1	0.007.1954.3/10	1	lift lever
2	0.009.7880.0	1	shaft
3	2.1410.022.1	2	circlip 55
10	0.007.1952.0/10	1	lever
11	2.1631.922.0	1	roll pin 12x65
12	0.9131.313.0	1	connecting rod
13	2.1518.125.0	1	'o' ring 90x110x12.5
14	0.9131.311.0/10	1	piston
15	2.1530.256.0	1	'o' ring 152x3.5
16	2.1531.029.0	1	'o' ring 12.37x2.62
17	0.9131.310.0	1	cylinder
18	2.0122.620.2	4	screw m 16 p.1.5x55
19	2.1560.008.0	1	gasket 12.2x18
20	2.3110.422.7	1	plug m 12 p.1.25x10
21	0.007.1953.3/10	1	lift lever
22	2.3110.405.1	1	plug m 18 p.1.5x15
23	2.1560.014.0	1	gasket 18.2x24x1.5
24	2.1520.329.0	2	'o' ring 55x72x10
25	2.1599.696.2	2	snoulder 55x88x5
26	0.009.3672.0	1	spacer
27	2.0522.312.7	1	screw m 10 p.1.5x30
28	2.1011.106.2	1	nut m 10 p.1.5
29	2.0522.110.7	1	screw
30	2.1011.103.2	1	nut m 6 p.1
31	2.1410.025.1	1	circlip 62

9_61459_21_0_0

Section: S.A.C.

HYDRAULIC CYLINDERS mm 42

Fig.	Code	QTY	Name
1	0.014.2198.3	1	tube
2	2.3335.008.2	1	pipe union m 18 p.1.5X32
3	2.1560.014.0	2	gasket 18.2x24x1.5
4	0.9012.361.3	2	tube
5	0.98601.10.4/10	2	jack mm 42 ☞ 643 => 643
6	2.1699.372.0/30	2	pin 22x59
7	2.1559.076.0	2	bushing 22.05x26.05x23
8	2.1599.656.2	2	washer 22x30x3
9	2.1690.616.2	2	split pin 6.3x50
10	2.1311.013.2	2	flat washer 22
11	2.1690.713.2	2	split pin 8x36
12	2.0112.013.2	1	screw m 6 p.1x35
13	2.1470.002.2	1	lock washer 6
14	0.013.3065.0	2	plate
15	0.013.3075.0	1	stop
16	2.1011.103.2	1	nut m 6 p.1

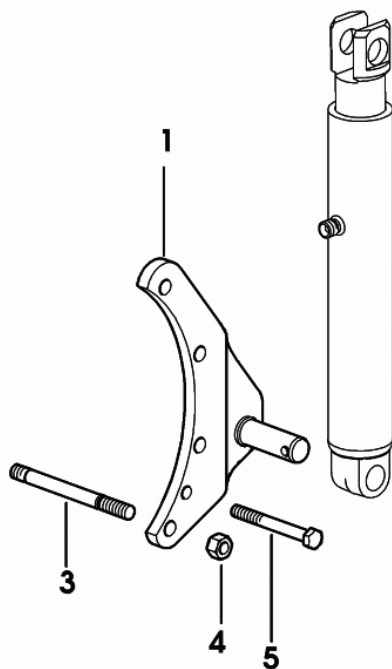
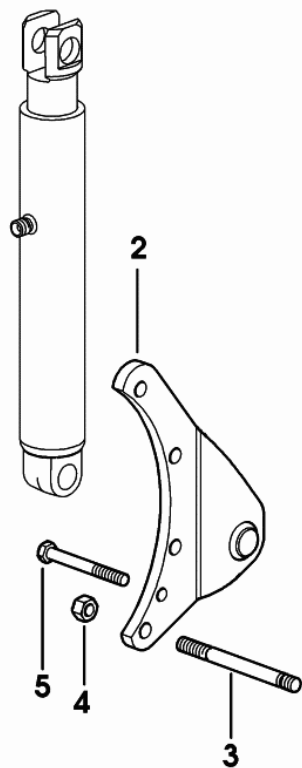


9_C2359_23_0_0

Section: S.A.C.

BRACKET

Fig.	Code	QTY	Name
1	0.98614.50.3	1	bracket sx
2	0.98614.51.3	1	bracket dx
3	2.0422.427.7	8	stud bolt m 12x120
4	2.1011.107.2	8	nut m 12 p.1.75
5	2.0112.327.2	2	screw m 10 p.1.5x90

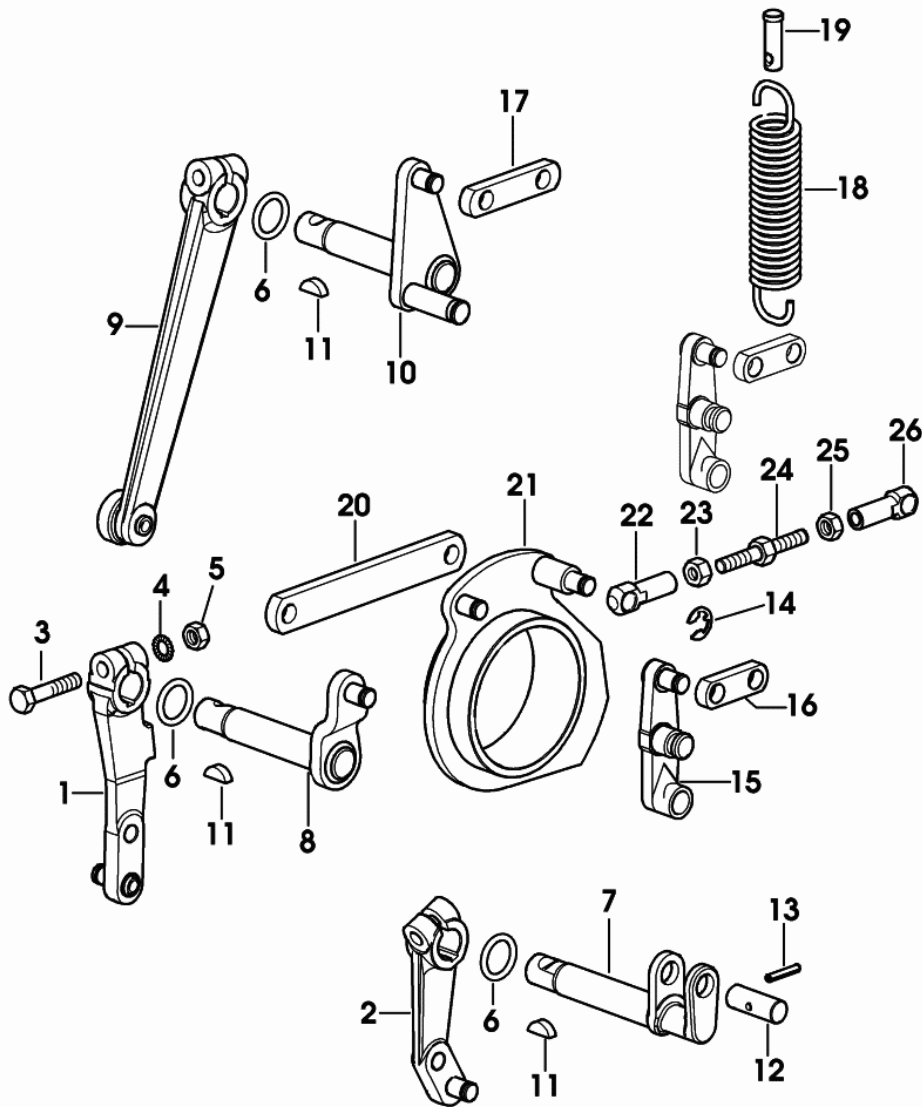


9_C2359_24_0_0

Section: S.A.C.

INTERNAL AND EXTERNAL CONTROLS

Fig.	Code	QTY	Name
1	0.009.3523.3	1	lever
2	0.009.3522.3/10	1	lever
3	2.0112.011.2	3	screw m 6 p.1x30
4	2.1470.002.2	3	lock washer 6
5	2.1011.103.2	3	nut m 6 p.1
6	2.1530.034.0	3	'o' ring 13.95x2.62
7	0.9107.521.0	1	lever
8	0.9131.512.3	1	lever
9	0.9131.524.3	1	lever
10	0.9131.526.3/10	1	lever
11	2.1720.005.0	3	key 4x5
12	0.9011.553.0	1	pin
13	2.1630.208.0	1	roll pin 3x16
14	2.1430.008.7	8	circlip 7
15	0.9087.551.3/10	1	lever
16	0.9000.434.0/10	1	rod
17	0.9023.527.0	1	rod
18	2.4049.161.2	1	spring 18x41x2
19	0.9000.562.0	1	pin
20	0.9107.527.0/10	1	rod
21	0.007.1951.3/10	1	lever
22	0.9011.557.0	1	tip m 6 P.1 sx
23	2.1019.007.1	1	special nut m 6 p.1
24	0.9011.558.0	1	register m 6 p.1
25	2.1011.103.2	1	nut m 6 p.1
26	0.002.1484.0	1	tip



9_61459_41_0_0

Section: S.A.C.

INTERNAL AND EXTERNAL CONTROLS

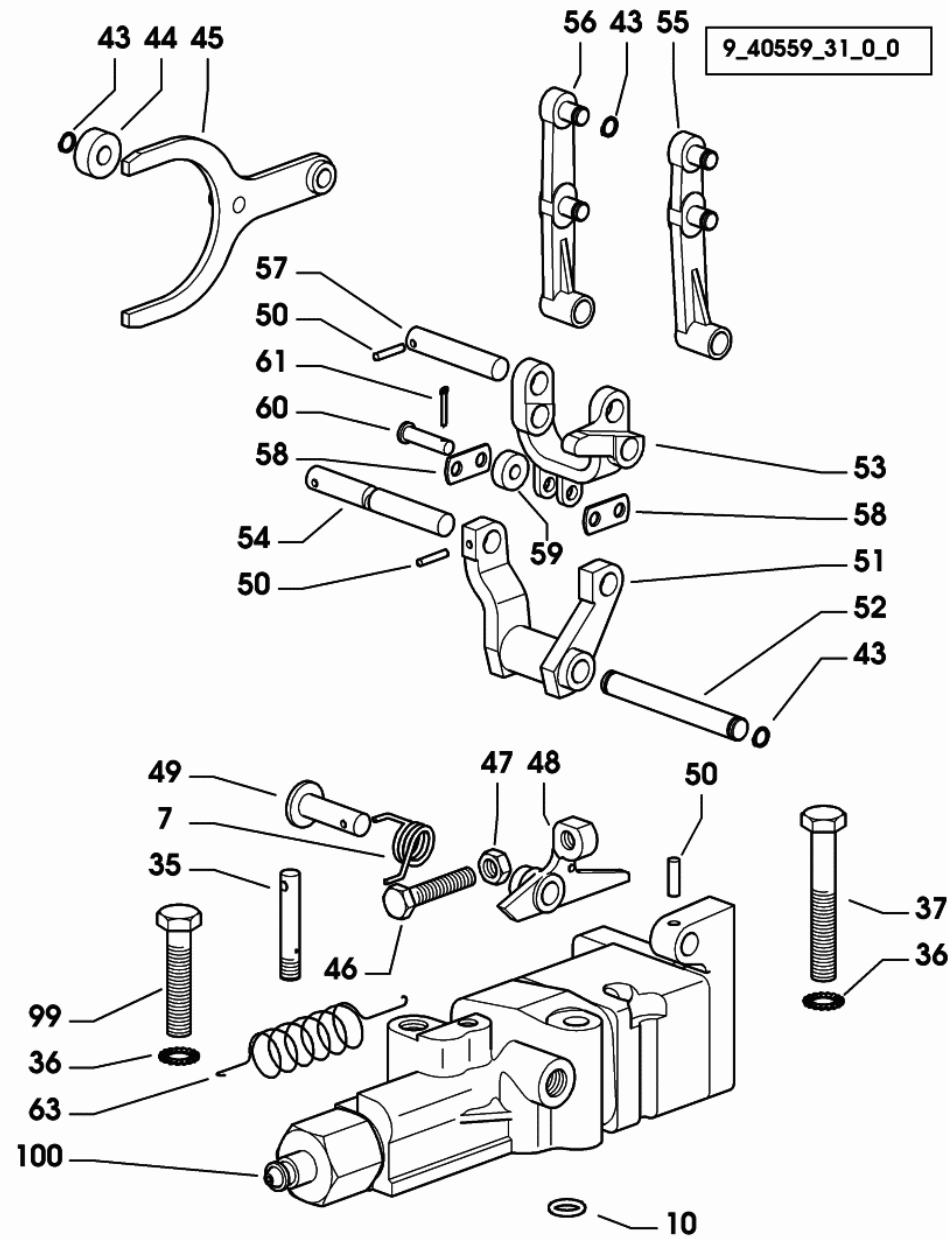
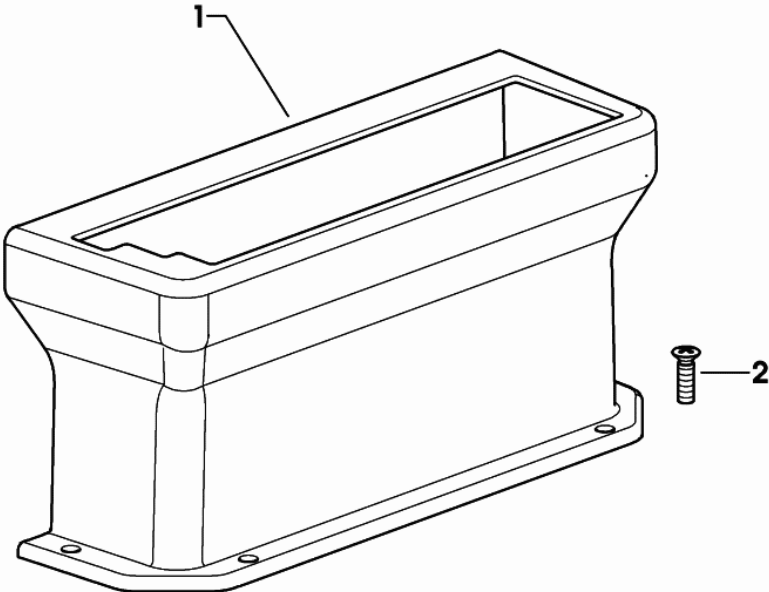


Fig.	Code	QTY	Name
7	2.4099.032.1/10	1	spring
10	2.1530.033.0	2	'o' ring 13.10x2.62
35	0.9087.460.0	1	pin
36	2.1470.006.2	2	lock washer 10
37	2.0112.323.2	1	screw m 10 p.1.5x70
43	2.1430.008.7	5	circlip 7
44	0.001.3702.0	1	roller
45	0.9131.437.3	1	fork
46	2.0119.019.1	1	screw m 8x40
47	2.1011.405.2	1	nut m 8 p.1
48	0.9107.430.0/10	1	lever
49	0.9107.451.0	1	pin
50	2.1630.208.0	3	roll pin 3x16
51	0.9087.429.0	1	lever
52	0.9087.461.0	1	pin
53	0.9107.438.0	1	lever
54	0.9087.462.0	1	pin
55	0.9011.436.3	1	lever
56	0.9011.435.3/10	1	lever
57	0.9000.459.0	1	pin
58	0.9087.454.0	2	small plate
59	0.9087.459.0	1	roller
60	2.1671.105.2	1	pin
61	2.1690.206.2	1	split pin 2x16
63	2.4049.115.1/10	1	spring
99	2.0112.317.2	1	screw m 10 p.1.5x45
100	0.9087.420.4/30	1	distributor

☞ 644
=> 644

Section: S.A.C.
CONTROL CONSOLE

Fig.	Code	QTY	Name
1	0.014.4376.0	1	radio consolle
2	2.0322.407.6	4	screw m 6x20



9_C2359_52_0_0

Section: S.A.C.

CONTROL TIE RODS AND LEVERS

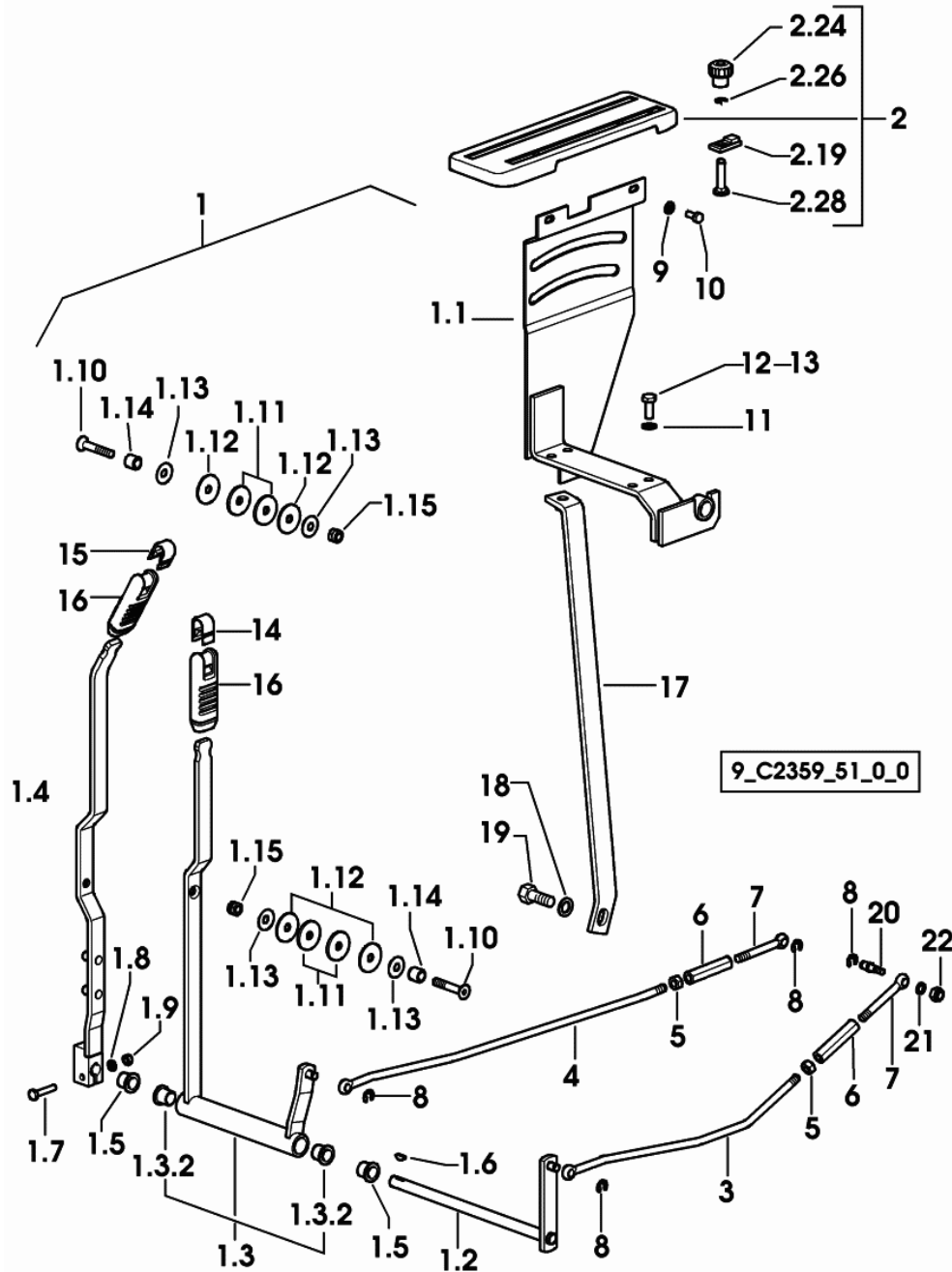
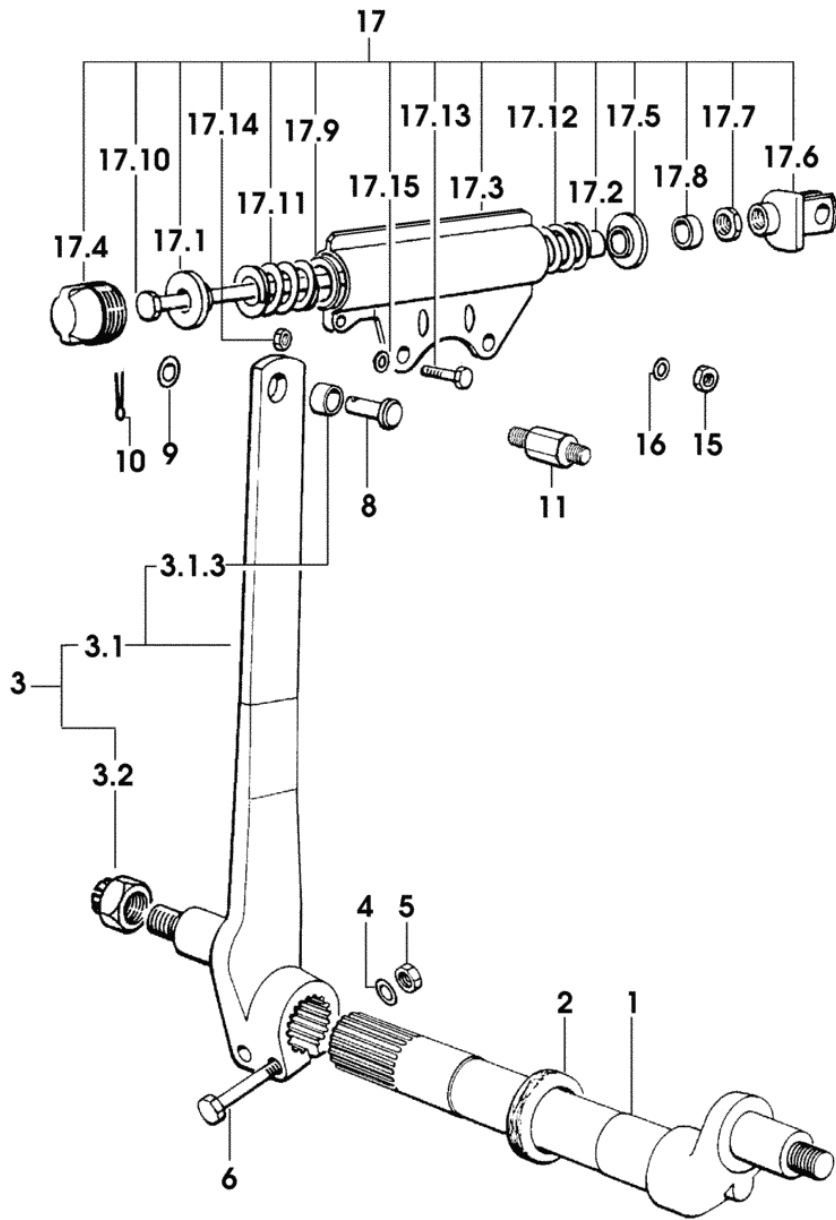


Fig.	Code	QTY	Name
1	0.000.0000.1	0	not serviceable
1.1	0.013.8797.2/10	1	support
1.2	0.013.8801.3	1	shaft
1.3	0.013.8800.3/10	1	lever
1.3.2	2.1559.243.0	2	bushing 12x16x15
1.4	0.013.8798.3	1	lever
1.5	2.1559.243.0	2	bushing 12x16x15
1.6	2.1720.005.0	1	key 4x5
1.7	2.0112.011.2	1	screw m 6 p.1x30
1.8	2.1470.002.2	1	lock washer 6
1.9	2.1011.103.2	1	nut m 6 p.1
1.10	2.0342.311.6	2	screw m 8 p.1.25x45
1.11	2.1599.245.0	4	snoulder 8.5x32x2
1.12	0.9030.672.0	4	ring 8.5x32x3
1.13	2.4099.053.7	4	spring 8.2x23x0.7
1.14	2.1579.965.2	2	spacer
1.15	2.1120.105.2	2	selflock nut m 8 p.1.25
2	0.011.9164.4/10	1	plate
2.19	0.9107.668.0	2	stop
2.24	0.9107.669.2	2	knob
2.26	2.1439.003.0	2	circlip 6
2.28	0.9107.667.0/10	2	screw
3	0.013.8950.0/20	1	rod
4	0.013.8951.0	1	rod
5	2.1011.405.2	2	nut m 8 p.1
6	2.1019.070.2	2	sleeve
7	0.008.8710.0/10	2	rod
8	2.1430.008.7	4	circlip 7
9	2.1310.002.2	2	flat washer 6.4x12.5
10	2.0112.004.2	2	screw m 6 p.1x14
11	2.1470.004.2	4	lock washer 8
12	2.0112.207.2	3	screw m 8 p 1.25x20
13	2.0112.209.2	1	screw m 8 p 1.25x25
14	0.008.8384.0	1	coupling
15	0.008.8383.0	1	coupling
16	0.009.0137.0	2	knob
17	0.008.8272.2/10	1	bracket
18	2.1470.007.2	1	lock washer 12
19	2.0112.409.2	1	screw m 12 p.1.75x25
20	0.014.4211.0	1	pin
21	2.1310.002.2	1	flat washer 6.4x12.5
22	2.1120.003.2	1	selflock nut m 6

Section: S.A.C.

SENSITIVE ELEMENTS

Fig.	Code	QTY	Name
1	0.9000.720.0/10	1	shaft
2	2.1514.053.0	2	'o' ring 45x55x4
3	0.9131.721.6/10	1	lever
3	0.9131.721.4	1	lever
3.1	0.000.0000.1	0	not serviceable
3.1.3	2.1559.014.0	1	bushing
3.2	2.1021.209.2	1	castellated nut m 20 p.1.5
4	2.1470.008.2	2	lock washer 14
5	2.1011.308.2	2	nut m 14 p.1.5
6	2.0122.525.2	2	screw m 14 p.1.5x80
8	2.1671.610.2	1	pin
9	2.1310.009.2	1	flat washer 15x28
10	2.1690.411.2	1	split pin 4x28
11	0.009.9693.0	2	small column
15	2.1011.422.2	2	nut m 12 p.1.25
16	2.1475.004.7	2	washer 13x24
17	0.9045.730.4/30	1	spring housing
17.1	0.9045.733.0/10	1	spacer
17.2	0.9045.734.0/10	1	spacer 15x18x138
17.3	0.9000.730.2/30	1	spring housing
17.4	0.9000.731.0	1	plug 40x1.5x45
17.5	0.9000.735.0/20	1	snoulder
17.6	0.9000.737.3/20	1	fork
17.7	2.1011.107.2	1	nut m 12 p.1.75
17.8	2.1549.153.2	1	spacer 14.1x21.3x16
17.9	2.1599.295.2	1	spacer
17.10	2.1699.034.2	1	pin
17.11	2.4019.215.1	1	spring 37x142x8
17.12	2.4019.216.1	1	spring 37x39x6
17.13	2.0112.005.2	1	screw m 6 p.1x16
17.14	2.1011.103.2	1	nut m 6 p.1
17.15	2.1470.002.2	1	lock washer 6

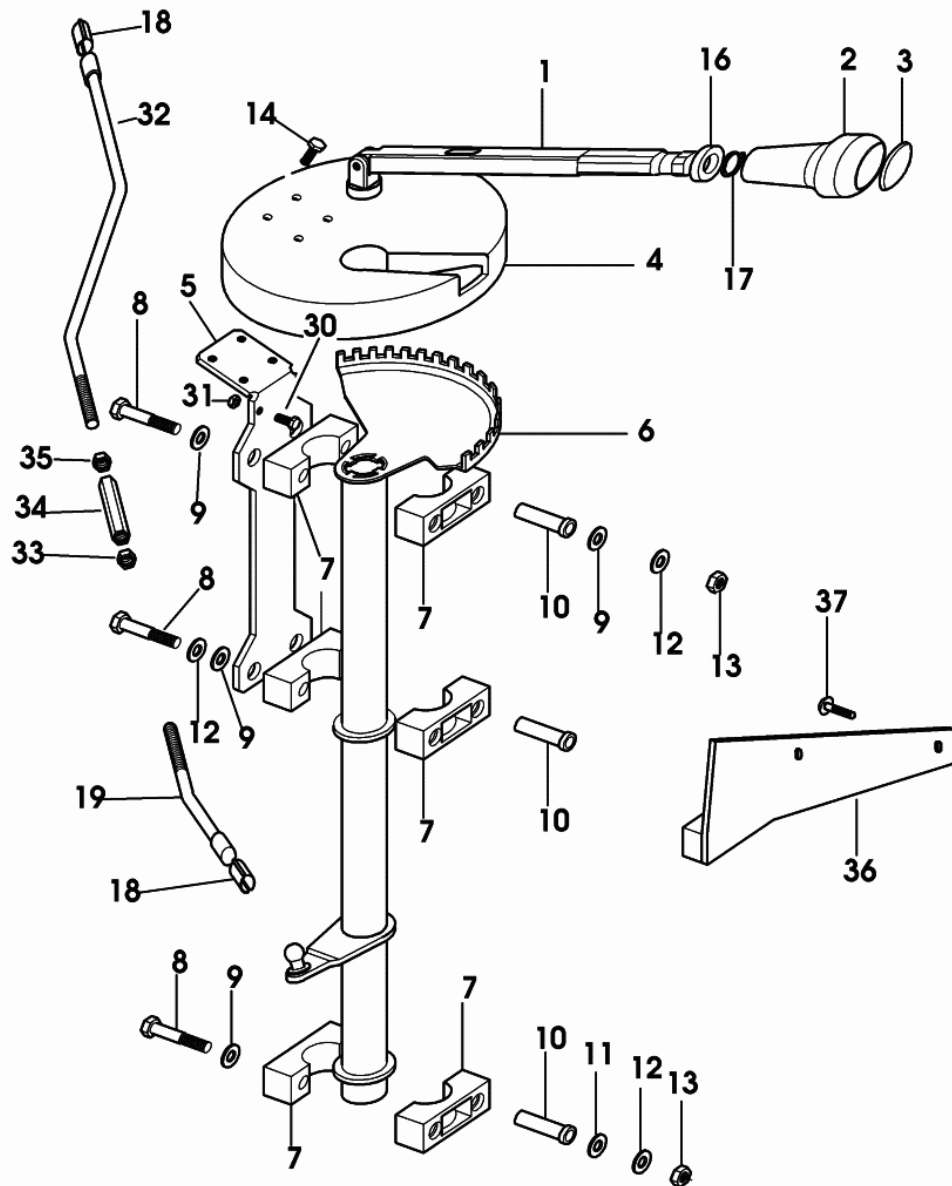


9_52959_61_0_0

Section: S.A.C.

S.A.C. GROUND CONTROL

Fig.	Code	QTY	Name
1	0.011.7416.4	1	lever
2	0.257.6413.0	1	grip
3	0.011.7625.0/20	1	cap
4	0.011.7454.0/10	1	cover
5	0.014.3186.0	1	bracket
6	0.014.3180.3	1	shaft
7	0.008.2619.0/10	6	small block
8	2.0112.222.2	6	screw m 8 p.1.25x65
9	2.1312.004.2	8	washer 9x24
10	2.1559.237.2	6	sleeve
11	2.1310.004.2	2	flat washer 8.4x16
12	2.1470.004.2	6	lock washer 8
13	2.1011.105.2	4	nut m 8 p.1.25
14	2.0332.405.3	4	plug
16	0.136.7387.0	1	rubber plug 15x27x5
17	2.1419.042.0	1	circlip
18	0.257.6757.0	2	spring
19	0.014.3231.0	1	rod
30	2.0112.005.2	1	screw m 6 p.1x16
31	2.1011.103.2	1	nut m 6 p.1
32	0.014.3230.0/10	1	rod
33	2.1011.106.2	1	nut m 10 p.1.5
34	0.467.6663.2	1	sleeve
35	2.1019.018.2	1	special nut m 10 speciale
36	0.014.3184.2	1	bracket
37	2.0029.509.3	2	screw



9_C2359_70_0_0

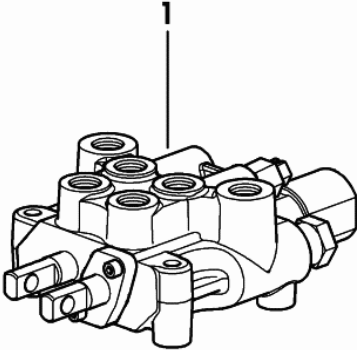
EXPLORER 85 T

ACCESSORY

4-WAY AUXILIARY DISTRIBUTOR.....	526
4-WAY AUXILIARY DISTRIBUTOR.....	528
4-WAY AUXILIARY DISTRIBUTOR - FOR TRACTORS WITH HYDRAULIK BREAKING FOR TRAILER.....	529
4 - 6 - WAY DISTRIBUTOR EQUIPMENT.....	531
6-WAY AUXILIARY DISTRIBUTOR.....	532
6-WAY AUXILIARY DISTRIBUTOR - FOR TRACTORS WITH HYDRAULIK BREAKING FOR TRAILER.....	534
6-WAY AUXILIARY DISTRIBUTOR.....	535
4/6 WAY SPOOL VALVES CONTROL.....	536
CONTROLS FOR 6-WAY AUXILIARY SERVICES CONTROL VALVE.....	537
3 POINT HITCH.....	540
3 POINT HITCH.....	543
3-POINT LINKAGE WITH AUTOMATIC COUPLERS.....	545
TOWING BAR.....	546
FRONT PULL HITCH BRACKET.....	547
FRONT TOWING HITCH.....	548
FRONT TOWING HITCH.....	549
REAR TOWING HITCH.....	551
DRAWBAR COUPLING CAT: "D" - ITALY.....	554
REAR TOWING HITCH CAT: "D2" GRASSI.....	555
REAR TOWING HITCH.....	556
REAR TOWING HITCH.....	556.1
REAR TOWING HITCH (GRASSI) CUNA - cat. C.....	559
REAR TOWING HITCH EXPORT CH.....	560
REAR TOWING HITCH EXPORT CH.....	560.1
REAR OSCILLATING HITCH cat. A.....	562
FRONT WEIGHT CARRIER.....	563
FRONT BALLAST n. 2.....	564
FRONT BALLAST n. 4.....	565
FRONT BALLAST n. 8.....	566
WHEEL BALLAST.....	568
WHEEL BALLAST.....	569
HYDRAULIC BREAKING FOR TRAILER.....	571
HYDRAULIC BREAKING FOR TRAILER - ITALY -.....	573
HYDRAULIC BREAKING FOR TRAILER - EXPORT F.....	574
LUBRICATOR.....	575
TOOL POUCH.....	576

Section: ACCESSORY
4-WAY AUXILIARY DISTRIBUTOR

Fig.	Code	QTY	Name
1	2.3719.530.0	1	distributor 4 - float ☞ 645 => 645

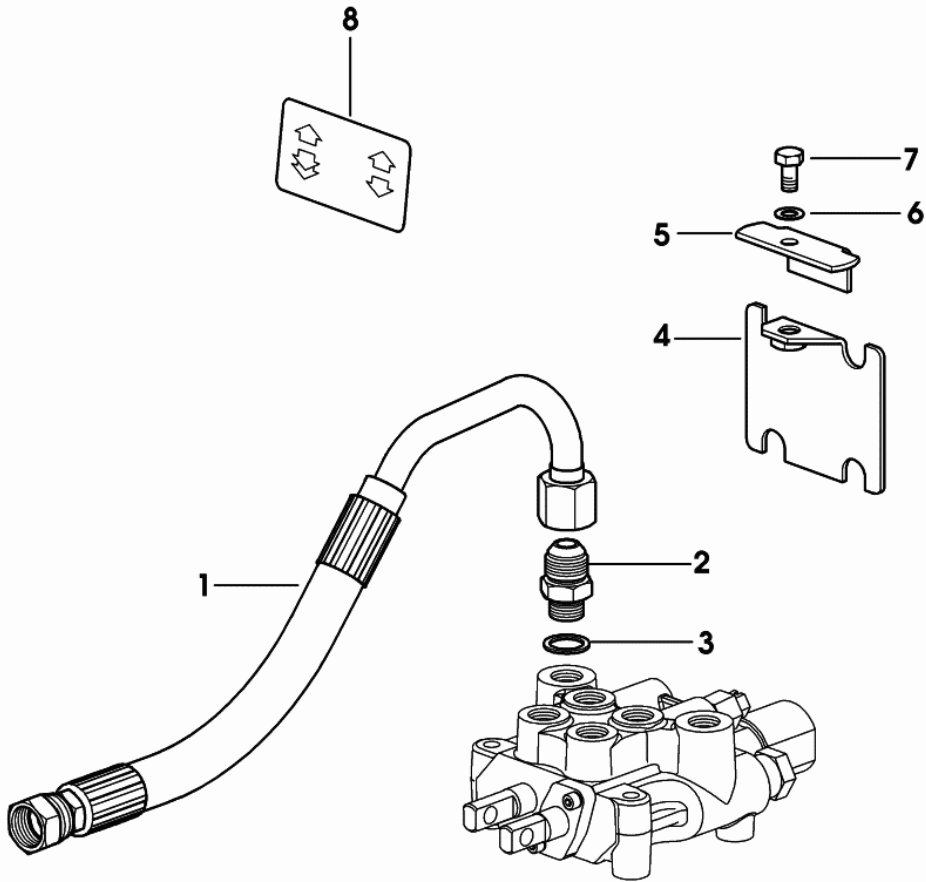


9_C2688_15_0_0

Section: ACCESSORY

4-WAY AUXILIARY DISTRIBUTOR

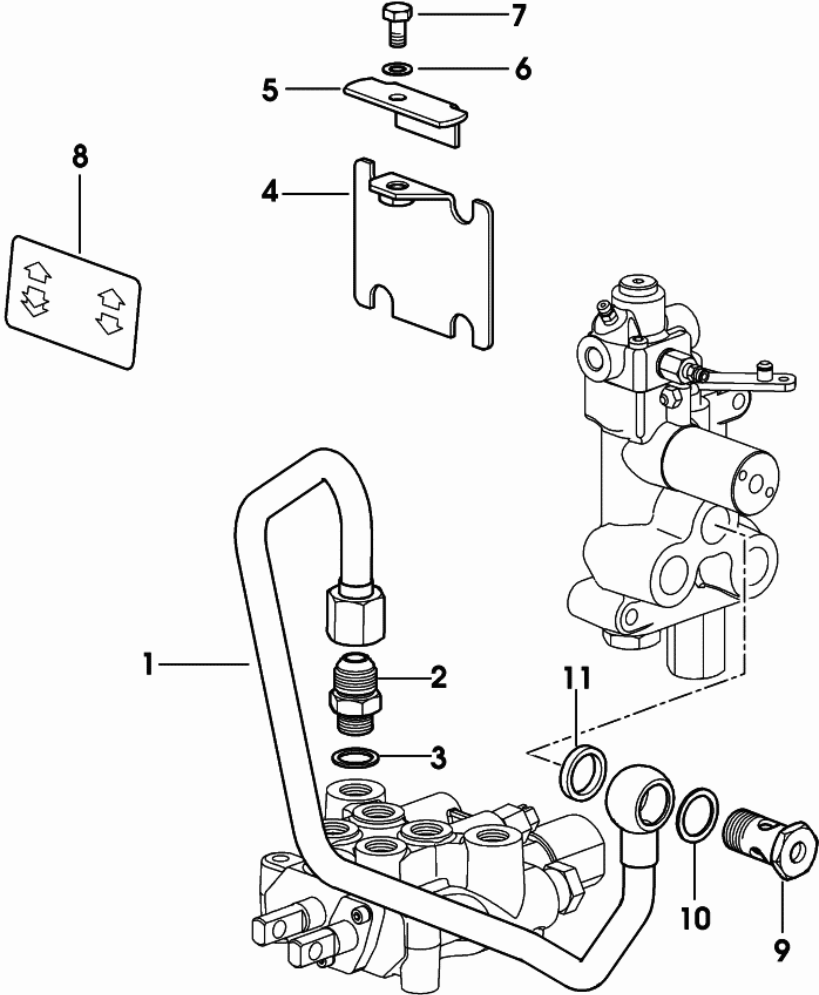
Fig.	Code	QTY	Name
1	0.014.2595.3	1	tube
2	2.3261.010.2	1	pipe fitting M18x1,5 7/8" 14
3	2.1560.014.0	1	gasket 18.2x24x1.5
4	0.008.8616.2	1	bracket
5	0.008.8618.0	1	clamp
6	2.1470.004.2	1	lock washer 8
7	2.1011.205.2	1	nut m 8 p.1.25
8	2.9929.329.0	1	plate



9_C2488_16_0_0

Section: ACCESSORY
4-WAY AUXILIARY DISTRIBUTOR - FOR TRACTORS WITH HYDRAULIK
BREAKING FOR TRAILER

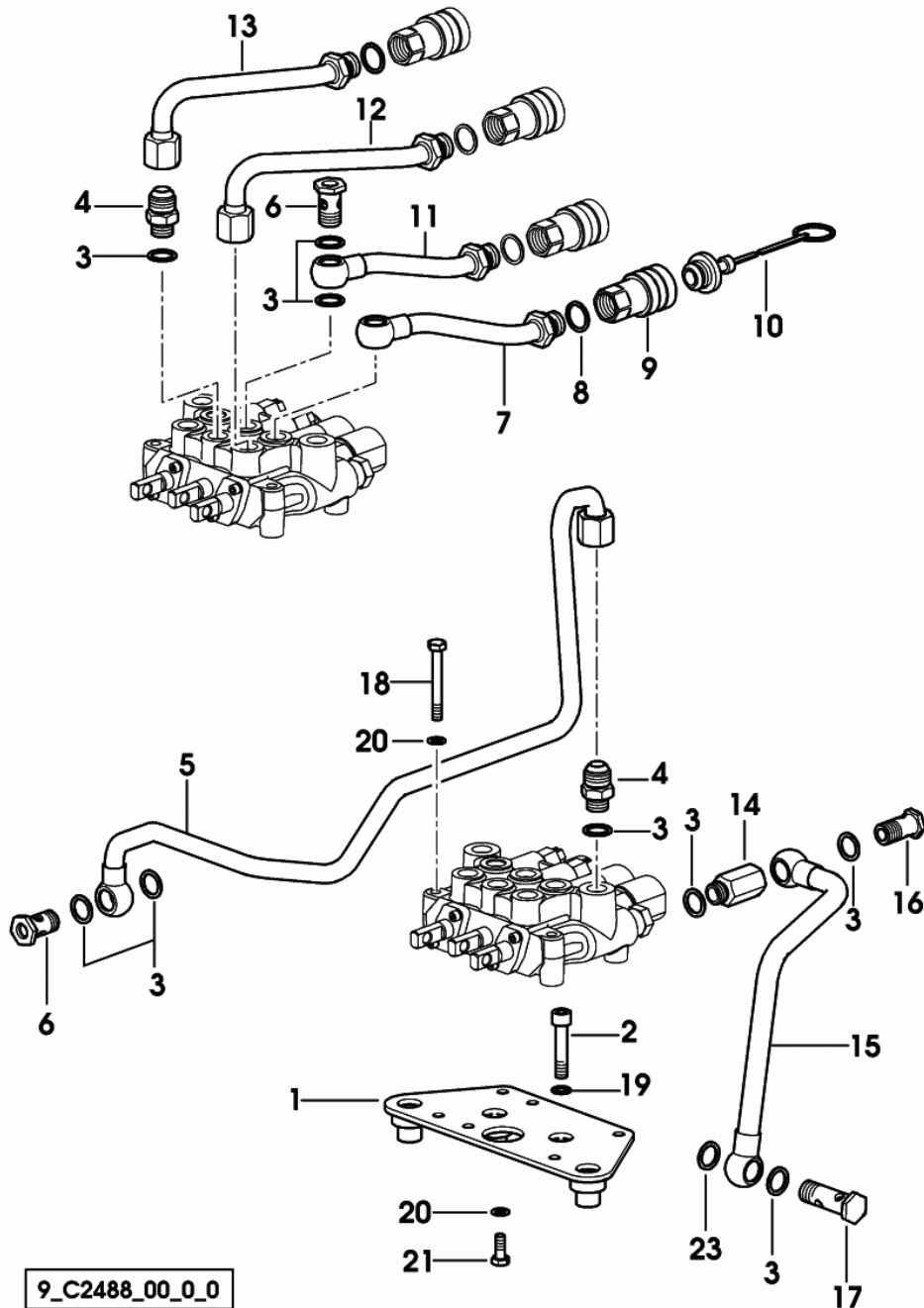
Fig.	Code	QTY	Name
1	0.014.3348.3	1	tube
2	2.3261.010.2	1	pipe fitting M18x1,5 7/8" 14
3	2.1560.014.0	1	gasket 18.2x24x1.5
4	0.008.8616.2	1	bracket
5	0.008.8618.0	1	clamp
6	2.1470.004.2	1	lock washer 8
7	2.1011.205.2	1	nut m 8 p.1.25
8	2.9929.329.0	1	plate
9	2.3335.009.2	1	pipe union m 22 p.1.5X39
10	2.1560.018.0	1	gasket 22.2x29
11	2.1569.172.0	1	gasket



Section: ACCESSORY

4 - 6 - WAY DISTRIBUTOR EQUIPMENT

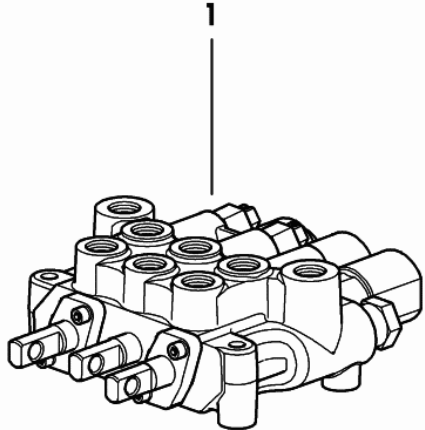
Fig.	Code	QTY	Name
1	0.014.0755.3	1	bracket
2	2.0312.316.2	3	screw m 10 p 1.5x50
3	2.1560.014.0	13	gasket 18.2x24x1.5
4	2.3261.010.2	3	pipe fitting M18x1,5 7/8" 14
5	0.014.2692.3	1	tube
6	2.3335.008.2	3	pipe union m 18 p.1.5X32
7	0.008.8544.3/10	1	tube
8	2.1560.054.0	4	gasket 21x26
9	0.98308.50.3/10	4	coupling ☞ 646 => 646
10	0.013.7997.0	4	plug
11	0.008.8543.3/10	1	tube
12	0.008.8541.3/10	1	tube
13	0.008.8540.3/10	1	tube
14	2.3339.341.2/10	1	pipe fitting m 18 p.1.5
15	0.014.3354.3	1	tube
16	2.3339.295.2/10	1	pipe union m 18 p.1.5 x 35
17	2.3335.055.2	1	pipe union m 18 p.1.5
18	2.0112.221.2	2	screw m 8 p.1.25x60
19	2.1480.015.2	3	washer 10
20	2.1470.004.2	3	lock washer 8
21	2.0112.205.2	1	screw m 8 p.1.25x16
23	2.1569.158.0/10	1	gasket 18.2x24x6.5



9_C2488_00_0_0

Section: ACCESSORY
6-WAY AUXILIARY DISTRIBUTOR

Fig.	Code	QTY	Name
1	0.009.2007.4/10	1	distributor ☞ 647 => 647

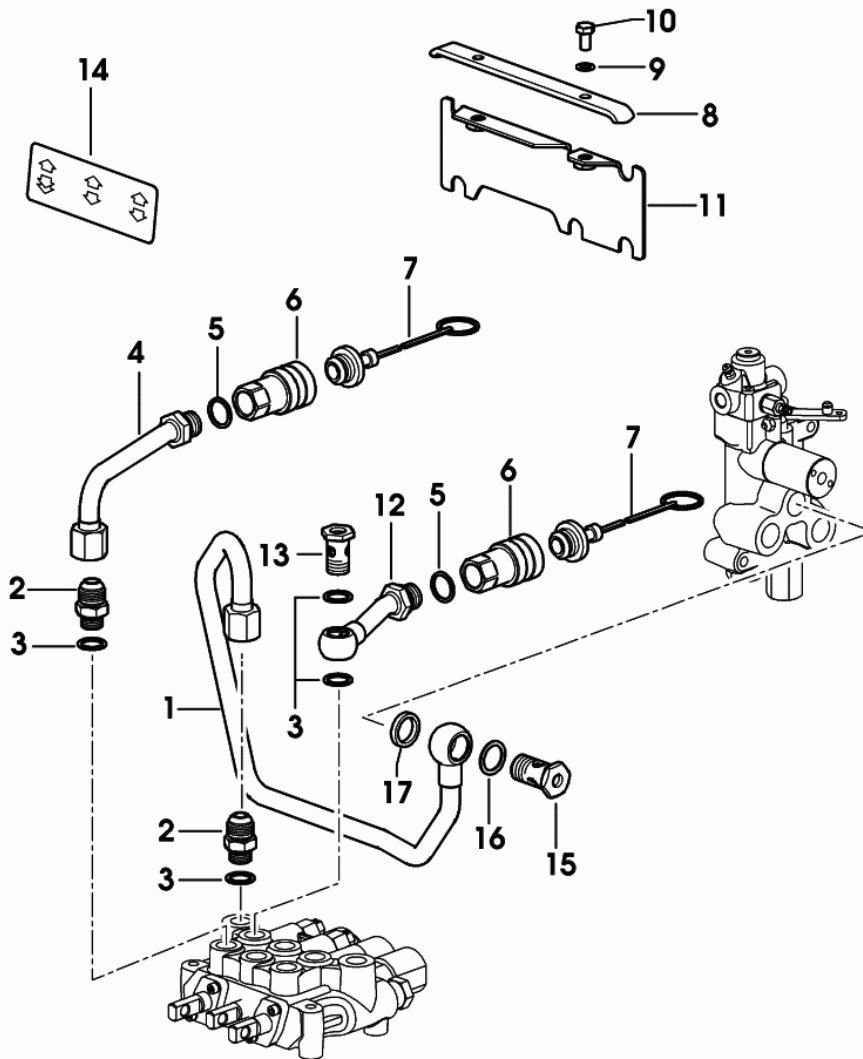


9_C2688_25_0_0

Section: ACCESSORY

**6-WAY AUXILIARY DISTRIBUTOR - FOR TRACTORS WITH HYDRAULIK
BREAKING FOR TRAILER**

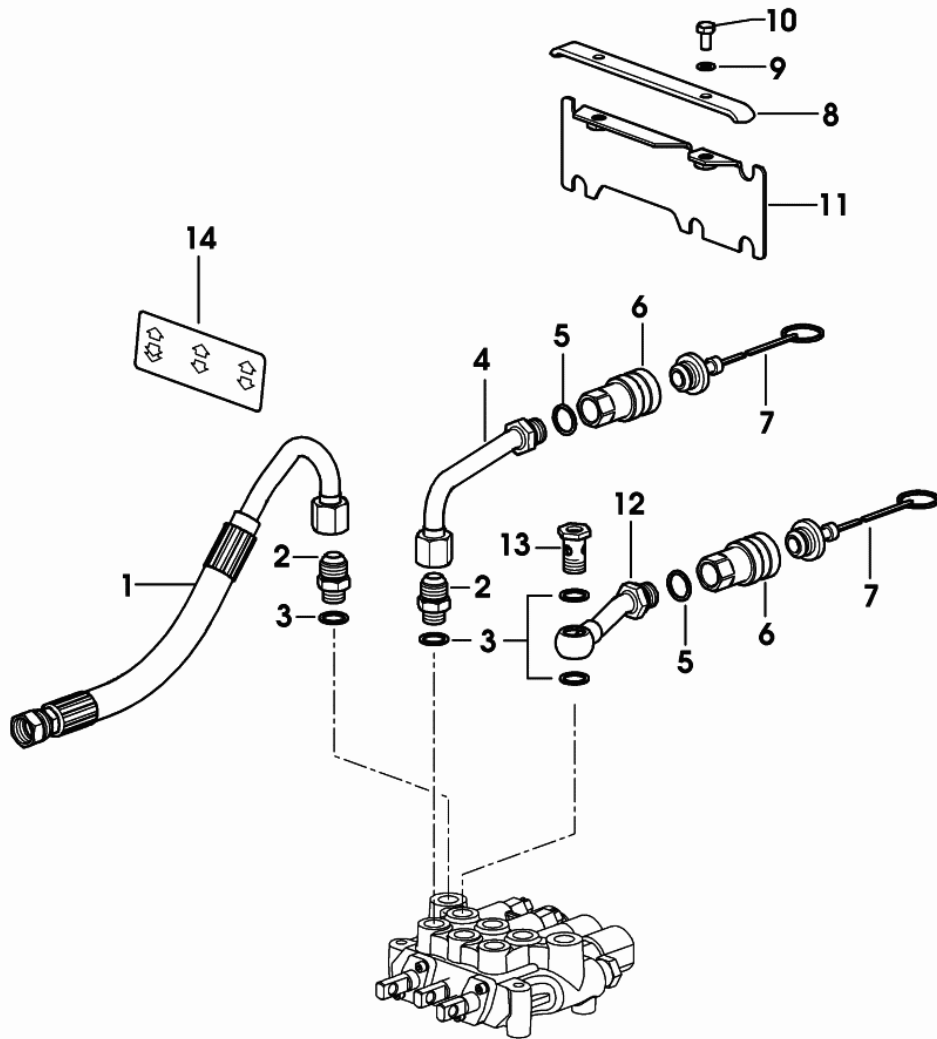
Fig.	Code	QTY	Name
1	0.014.3347.3	1	tube
2	2.3261.010.2	2	pipe fitting M18x1,5 7/8" 14
3	2.1560.014.0	4	gasket 18.2x24x1.5
4	0.008.8539.3/10	1	tube
5	2.1560.054.0	2	gasket 21x26
6	0.98308.50.3/10	2	coupling → 646 => 646
7	0.013.7997.0	2	plug
8	0.008.8619.0	1	clamp
9	2.1470.004.2	2	lock washer 8
10	2.0112.205.2	2	screw m 8 p.1.25x16
11	0.008.8617.2	1	bracket
12	0.008.8542.3/10	1	tube
13	2.3335.008.2	1	pipe union m 18 p.1.5X32
14	2.9929.328.0	1	plate
15	2.3335.009.2	1	pipe union m 22 p.1.5X39
16	2.1560.018.0	1	gasket 22.2x29
17	2.1569.172.0	1	gasket



Section: ACCESSORY

6-WAY AUXILIARY DISTRIBUTOR

Fig.	Code	QTY	Name
1	0.014.2587.3	1	tube
2	2.3261.010.2	2	pipe fitting M18x1,5 7/8" 14
3	2.1560.014.0	4	gasket 18.2x24x1.5
4	0.008.8539.3/10	1	tube
5	2.1560.054.0	2	gasket 21x26
6	0.98308.50.3/10	2	coupling ☞ 646 => 646
7	0.013.7997.0	2	plug
8	0.008.8619.0	1	clamp
9	2.1470.004.2	2	lock washer 8
10	2.0112.205.2	2	screw m 8 p.1.25x16
11	0.008.8617.2	1	bracket
12	0.008.8542.3/10	1	tube
13	2.3335.008.2	1	pipe union m 18 p.1.5X32
14	2.9929.328.0	1	plate



9_C2488_26_0_0

Section: ACCESSORY

4/6 WAY SPOOL VALVES CONTROL

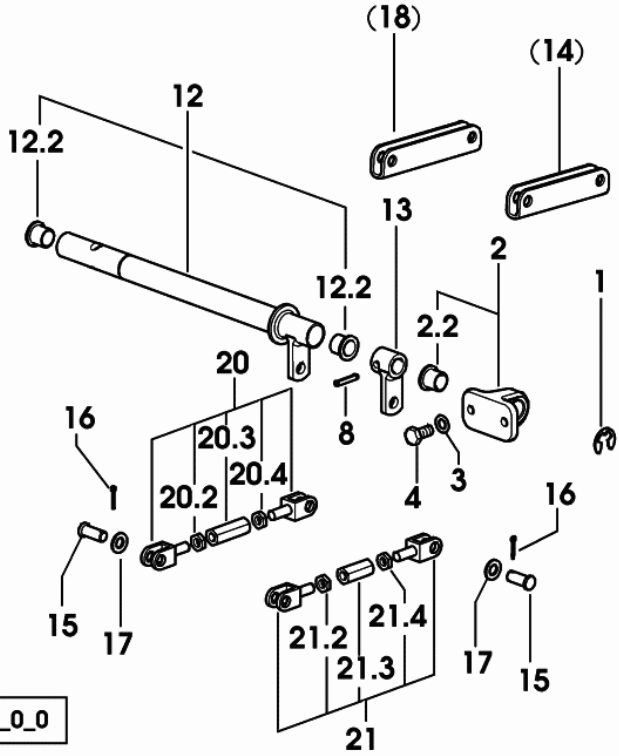
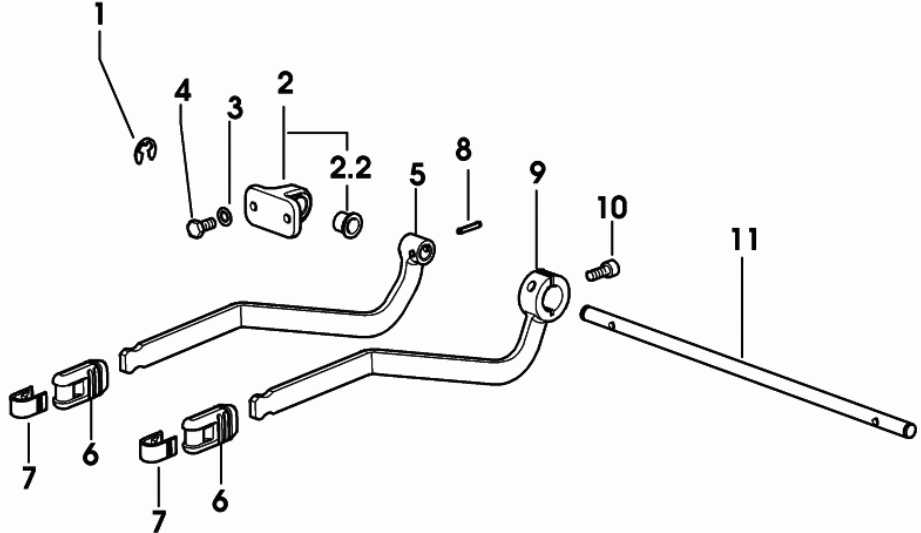


Fig.	Code	QTY	Name
1	2.1430.011.7	2	circlip 10
2	0.008.8523.3/20	2	support
2.2	2.1559.243.0	1	bushing 12x16x15
3	2.1470.004.2	4	lock washer 8
4	2.0112.205.2	4	screw m 8 p.1.25x16
5	0.014.0768.2/20	1	lever
6	0.008.8388.0	2	knob
7	0.009.0140.0	2	coupling
8	2.1631.411.0	2	roll pin 5x24
9	0.014.0767.2/20	1	lever
10	2.0312.206.2	1	screw m 8 p.1.25x20
11	0.008.8526.0/10	1	shaft
12	0.014.0765.3/20	1	shaft
12.2	2.1559.243.0	2	bushing 12x16x15
13	0.014.0764.2/20	1	lever
14	0.014.0759.0	1	rod
			1055 <- X EXPLORER 75 T
			1006 <- X EXPLORER 75 TB
			1049 <- X EXPLORER 85 T
			1008 <- X EXPLORER 85 TB
			1063 <- X EXPLORER 95 T
			1057 <- X EXPLORER 95 TB
15	2.1699.245.2/10	4	pin
16	2.1690.206.2	4	split pin 2x16
17	2.1599.564.2	4	washer 9.5x17x1.6
18	0.014.0760.0	1	lever
			1055 <- X EXPLORER 75 T
			1006 <- X EXPLORER 75 TB
			1049 <- X EXPLORER 85 T
			1008 <- X EXPLORER 85 TB
			1063 <- X EXPLORER 95 T
			1057 <- X EXPLORER 95 TB
20	0.014.4684.3/20	1	rod
20.2	2.1019.157.2	1	nut m 8 p 1.25x4
20.3	2.1019.163.2	1	register
20.4	2.1011.205.2	1	nut m 8 p.1.25
21	0.014.4686.3/20	1	rod
21.2	2.1019.157.2	1	nut m 8 p 1.25x4
21.3	2.1019.164.2	1	register
21.4	2.1011.205.2	1	nut m 8 p.1.25

9_C2488_17_0_0

Section: ACCESSORY

CONTROLS FOR 6-WAY AUXILIARY SERVICES CONTROL VALVE

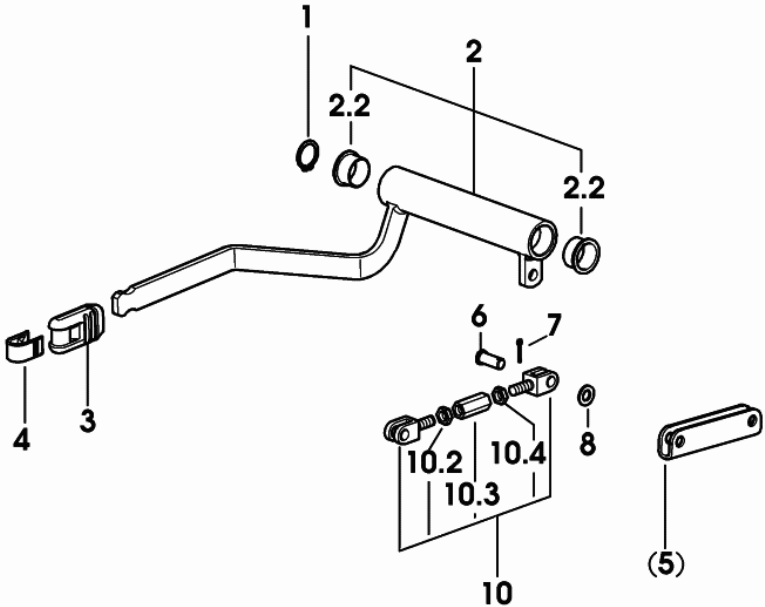


Fig.	Code	QTY	Name
1	2.1410.007.1	1	circlip 21.2
2	0.014.0766.3/20	1	lever
2.2	2.1559.242.0/10	2	bushing
3	0.008.8388.0	1	knob
4	0.009.0140.0	1	coupling
5	0.014.0759.0	1	rod
			1055 <- X EXPLORER 75 T
			1006 <- X EXPLORER 75 TB
			1049 <- X EXPLORER 85 T
			1008 <- X EXPLORER 85 TB
			1063 <- X EXPLORER 95 T
			1057 <- X EXPLORER 95 TB
6	2.1699.245.2/10	2	pin
7	2.1690.206.2	2	split pin 2x16
8	2.1599.564.2	2	washer 9.5x17x1.6
10	0.014.4686.3/20	1	rod
10.2	2.1019.157.2	1	nut m 8 p 1.25x4
10.3	2.1019.164.2	1	register
10.4	2.1011.205.2	1	nut m 8 p.1.25

9_C2488_27_0_0

Section: ACCESSORY

3 POINT HITCH

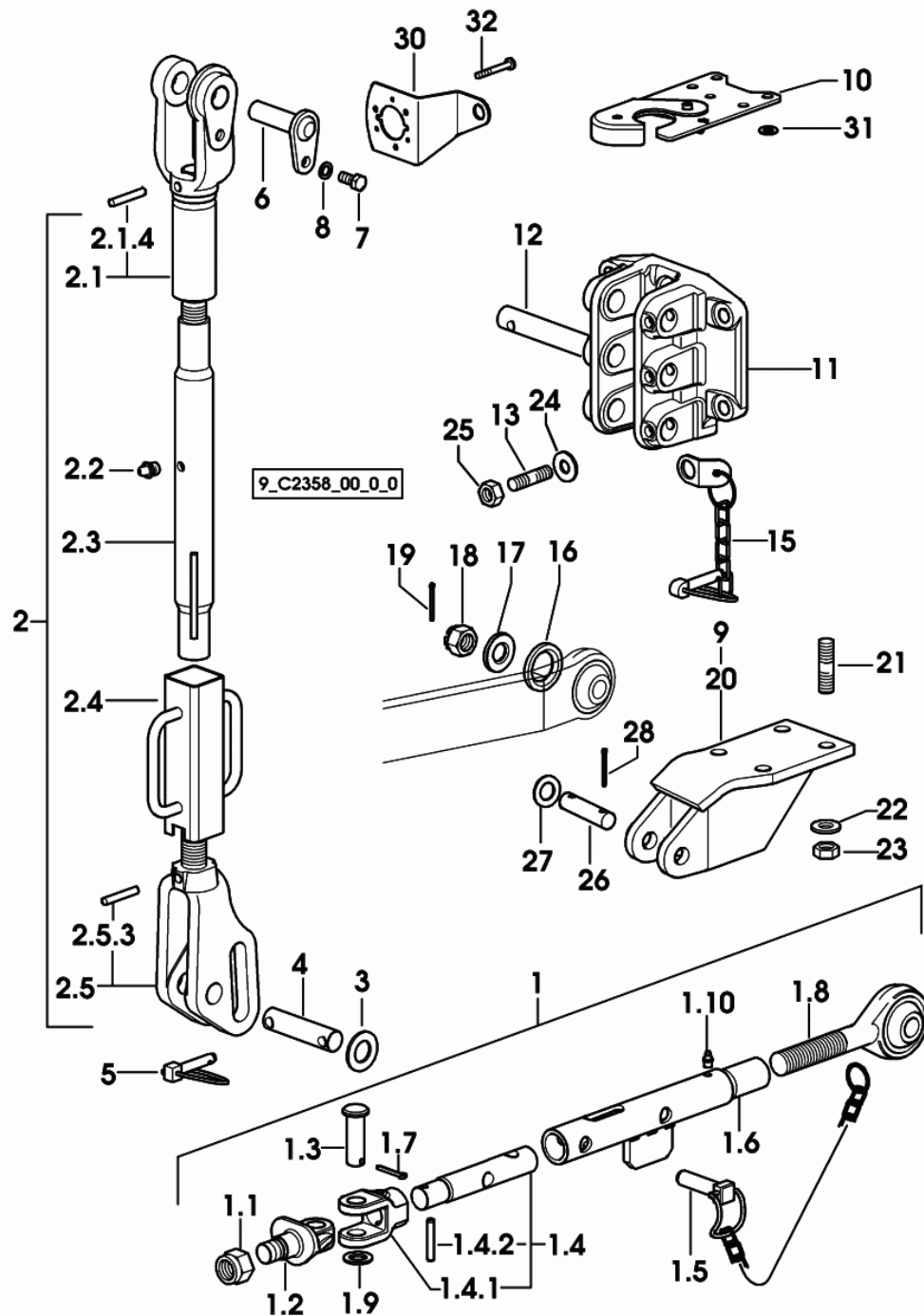


Fig.	Code	QTY	Name
1	0.010.5219.4	2	stabiliser
1.1	2.1011.412.2	1	nut m 24 p.2
1.2	0.96037.51.0/40	1	pin
1.3	2.1671.917.2	1	pin
1.4	0.010.0514.3/10	1	rod
1.4.1	0.96001.44.0/10	1	fork
1.4.2	2.1630.717.2	1	roll pin 8x50
1.5	0.96001.57.4/10	1	chain
1.6	0.010.5223.2	1	tube
1.7	2.1690.513.2	1	split pin 5x36
1.8	0.96014.14.3	1	rod
1.9	2.1311.012.2	1	flat washer 20
1.10	2.3820.105.2	1	lubricator m 10 p.1x7
2	0.010.4772.4	2	adjustable tensioner
2.1	0.010.4773.3	1	rod
2.1.4	2.1630.717.2	1	roll pin 8x50
2.2	2.3820.105.2	1	lubricator m 10 p.1x7
2.3	0.010.4029.2	1	sleeve
2.4	0.010.4363.2	1	crank
2.5	0.010.4030.3	1	rod
2.5.3	2.1630.717.2	1	roll pin 8x50
3	2.1599.678.2	4	washer 25x45x3
4	2.1669.014.2/10	2	pin
5	0.010.9322.4	4	pin
6	0.008.8469.2	2	pin
7	2.0112.409.2	2	screw m 12 p.1.75x25
8	2.1470.007.2	2	lock washer 12
9	0.013.7126.2/20	1	bracket sx
10	0.760.3555.4/30	1	stop
11	0.96037.10.0/10	1	flange
12	0.96035.12.0	1	piston pin
13	2.0422.511.7	4	stud bolt m 14x40
15	0.96001.70.3	1	pin
16	0.96001.64.0/10	2	snoulder 35x55x6
17	0.96001.65.0/10	2	snoulder 21x45x6
18	2.1021.209.2	2	castellated nut m 20 p.1.5
19	2.1690.413.2	2	split pin 4x36
20	0.013.7125.2/10	1	bracket dx
20	0.013.7125.2/20	1	bracket dx 1049 <- X EXPLORER 85 T 1050 <- X EXPLORER 95 T
20	0.013.7125.2/10	1	bracket dx -> 1050 X EXPLORER 85T -> 1051 X EXPLORER 95T
21	2.0433.411.7	8	stud bolt

Section: ACCESSORY

3 POINT HITCH

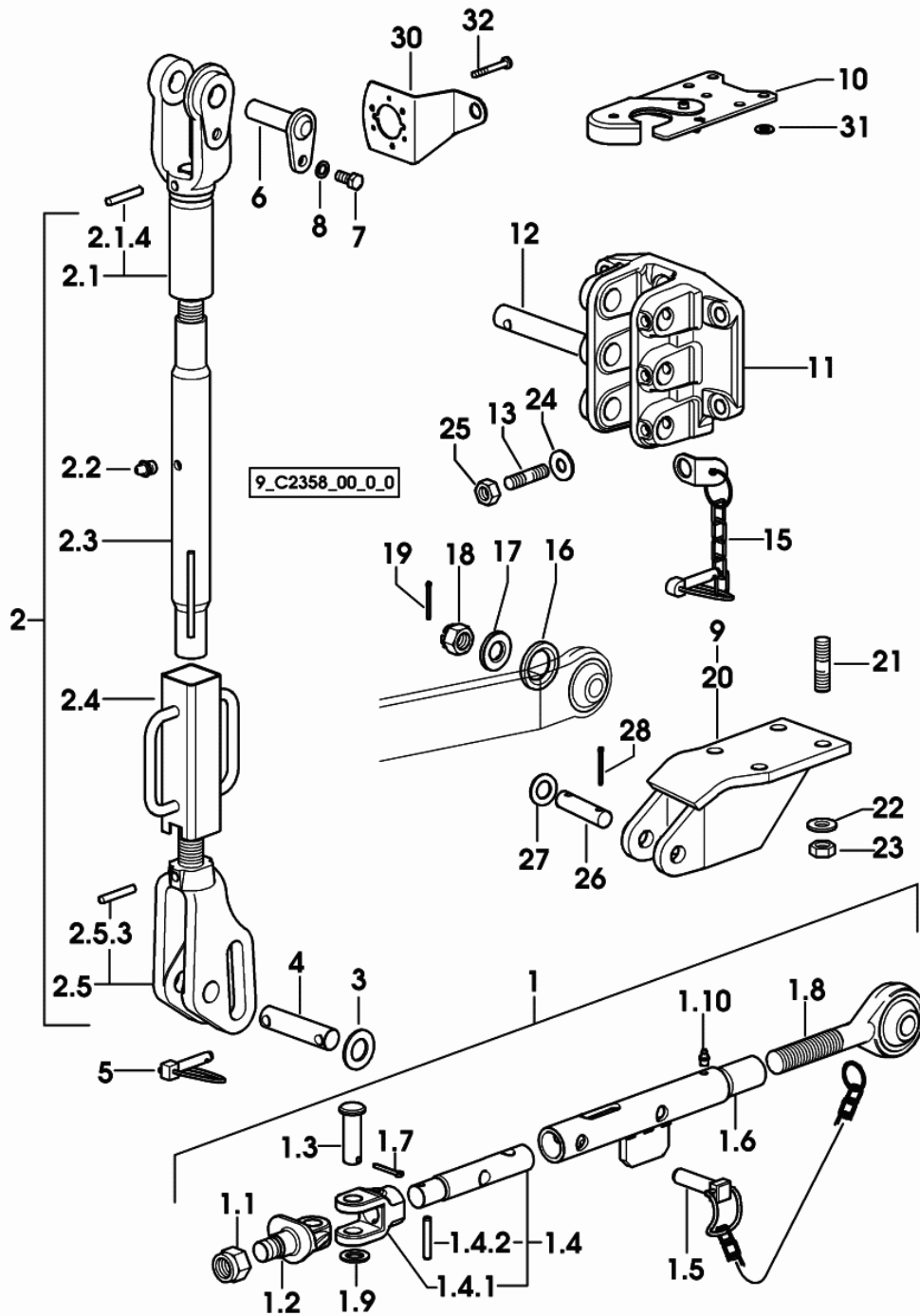
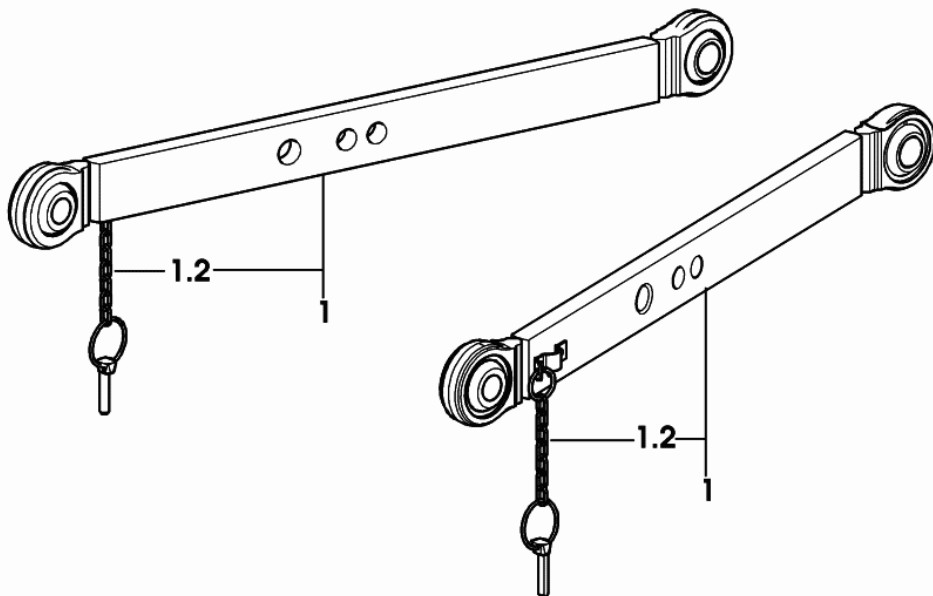
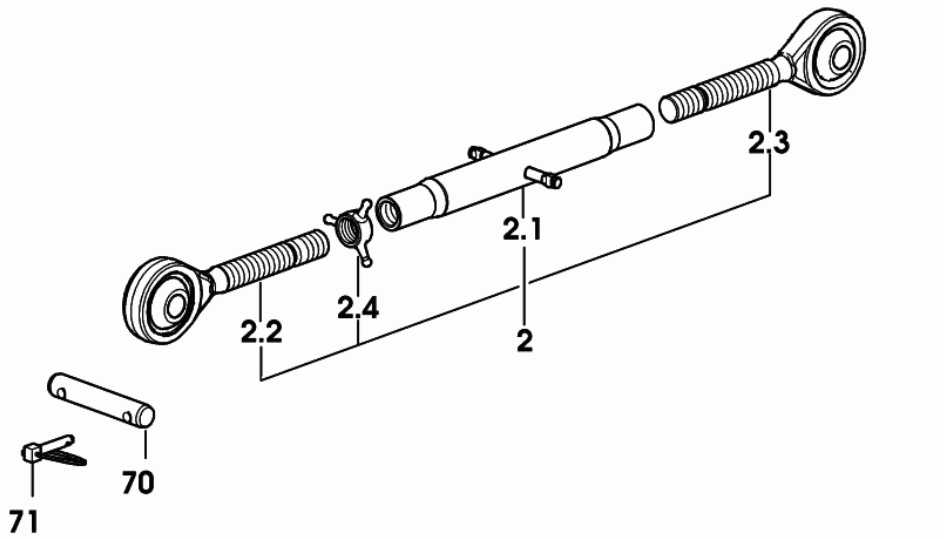


Fig.	Code	QTY	Name
22	2.1475.006.2	8	washer 17x32
23	2.1012.309.7	8	nut m 16 p.1.5
24	2.1475.005.2	4	washer 15x27
25	2.1011.108.2	4	nut m 14 p.2
26	2.1669.001.0	2	pin 19x110x98
27	2.1310.013.2	4	flat washer 21x37
28	2.1690.513.2	4	split pin 5x36
30	0.008.8754.0/40	1	support
31	2.1310.006.2	2	flat washer 10.5x20
32	2.0332.311.2	3	screw m 5x40

Section: ACCESSORY

3 POINT HITCH

Fig.	Code	QTY	Name
1	0.96054.20.4/10	2	arm
1.2	0.001.3041.3	1	pin
2	0.008.8460.4/20	1	3 point hitch
2.1	0.008.8465.3	1	sleeve
2.2	0.008.8461.3/10	1	rod dx
2.3	0.008.8462.3/10	1	rod sx
2.4	0.001.5059.0	1	nut
70	2.1669.024.2	1	pin 25.4x133
71	0.010.9322.4	2	pin

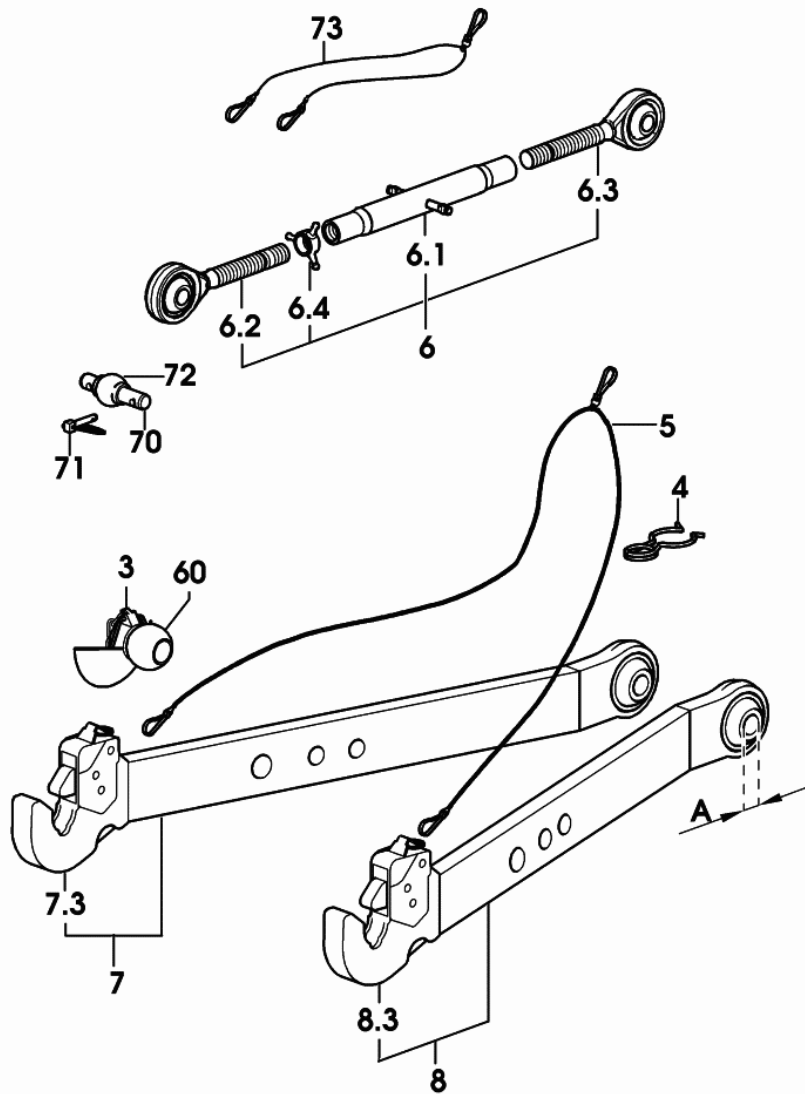


9_40558_01_0_0

Section: ACCESSORY

3-POINT LINKAGE WITH AUTOMATIC COUPLERS

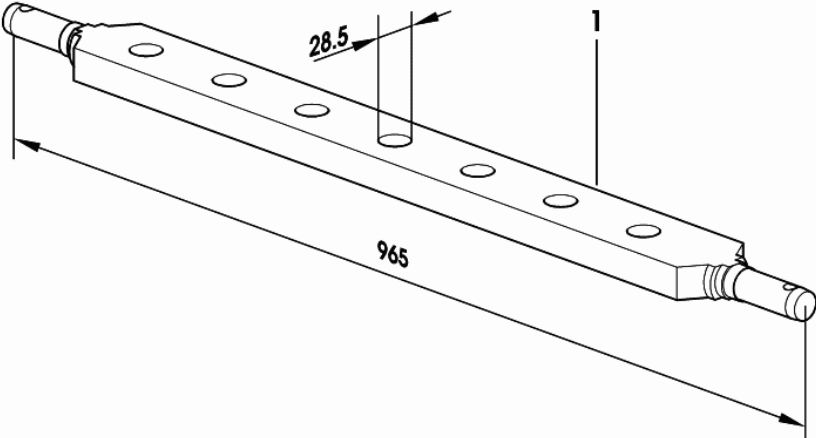
Fig.	Code	QTY	Name
3	0.760.5951.3	2	pin 2 cat.
4	0.760.2262.0	2	spring
5	0.760.2258.3	1	cable
6	0.014.1406.4	1	3 point hitch
6.1	0.011.3990.3	1	sleeve
6.2	0.014.1405.3	1	rod cat. 2 ☞ 651 => 651
6.3	0.008.8462.3/10	1	rod sx
6.4	0.001.5059.0	1	nut
7	0.014.1442.3/10	1	left hand arm
7.3	0.014.1420.3	1	automatic hook 2 cat.-CBM- ☞ 649 => 649
8	0.014.1443.3/10	1	right hand arm
8.3	0.014.1420.3	1	automatic hook 2 cat.-CBM- ☞ 649 => 649
60	0.760.5952.0	2	cap mm 56
70	2.1669.024.2	1	pin 25.4x133
71	0.010.9322.4	2	pin
72	0.96001.17.0	1	cap mm 50
73	0.009.3534.0	1	cable



9_40558_02_0_0

Section: ACCESSORY
TOWING BAR

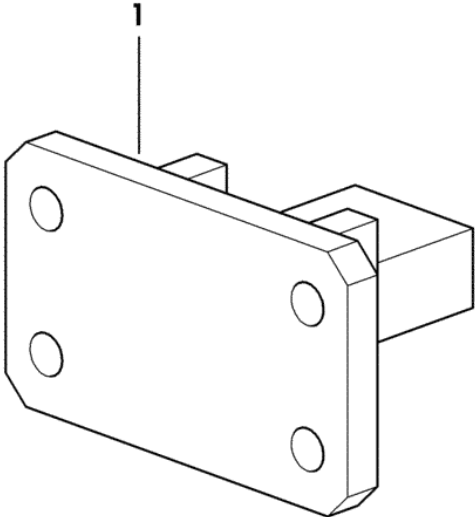
Fig.	Code	QTY	Name
1	0.96701.10.0/10	1	draw bar 2 cat.



9_40558_10_0_0

FRONT PULL HITCH BRACKET

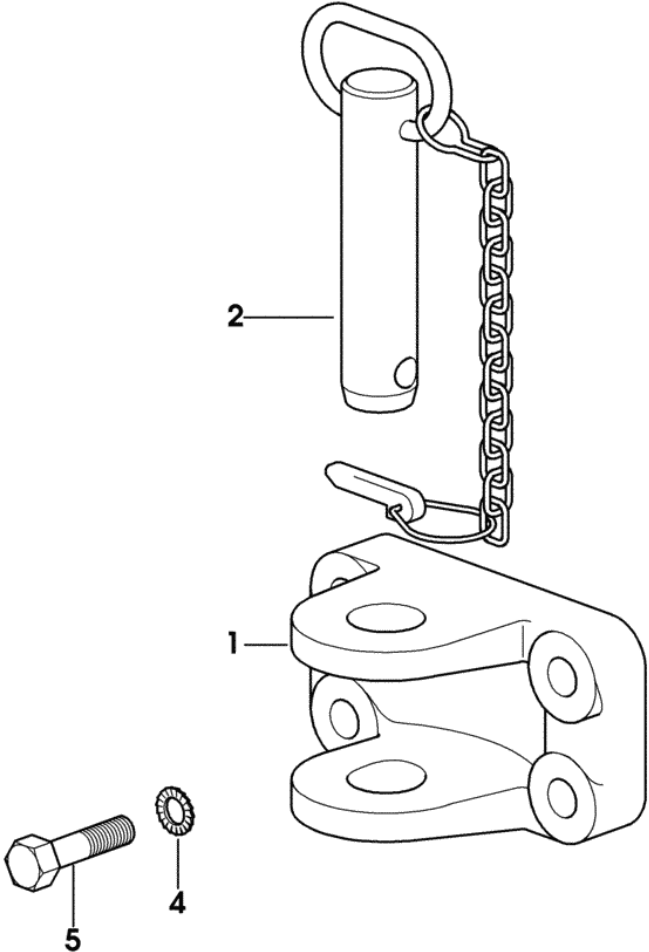
Fig.	Code	QTY	Name
1	0.014.1968.2	1	support



9_C2352_32_0_0

Section: ACCESSORY
FRONT TOWING HITCH

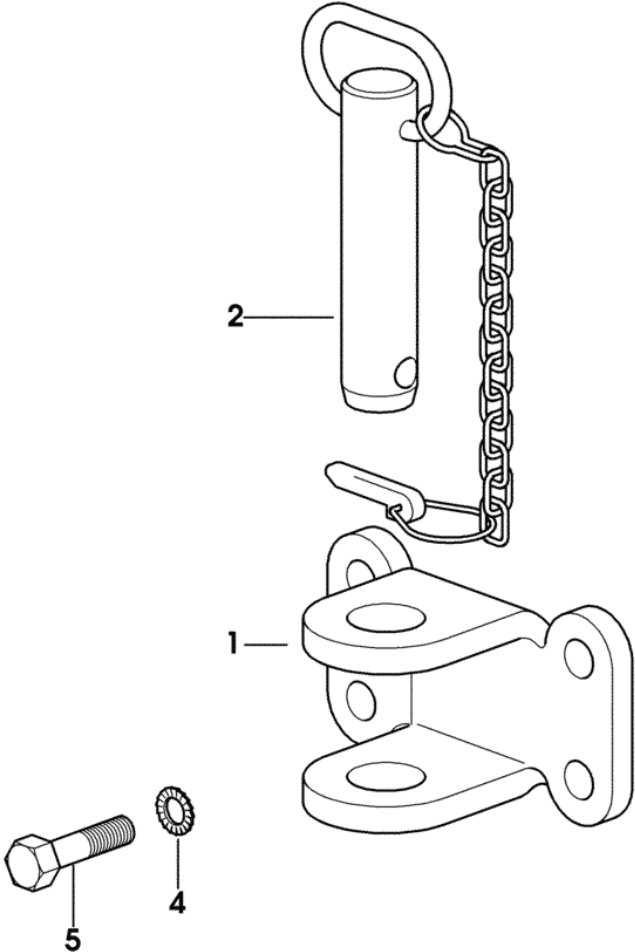
Fig.	Code	QTY	Name
1	0.013.5574.0	1	tow hook
2	0.96309.51.3	1	pin
4	2.1475.006.2	4	washer 17x32
5	2.0112.619.2	4	screw m 16 p.2x50



9_B9852_31_0_0

Section: ACCESSORY
FRONT TOWING HITCH

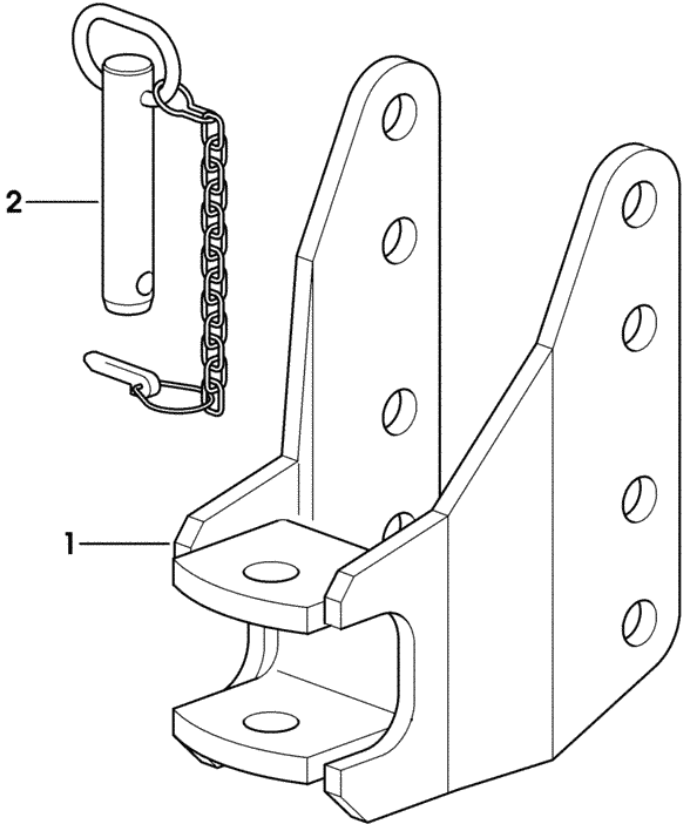
Fig.	Code	QTY	Name
1	0.013.5573.0	1	tow hook
2	0.96309.51.3	1	pin
4	2.1475.006.2	4	washer 17x32
5	2.0112.613.2	4	screw m 16x35



9_B9852_30_0_0

Section: ACCESSORY
REAR TOWING HITCH

Fig.	Code	QTY	Name
1	0.96135.20.2/10	1	tow hook
2	0.009.1667.3	1	pin



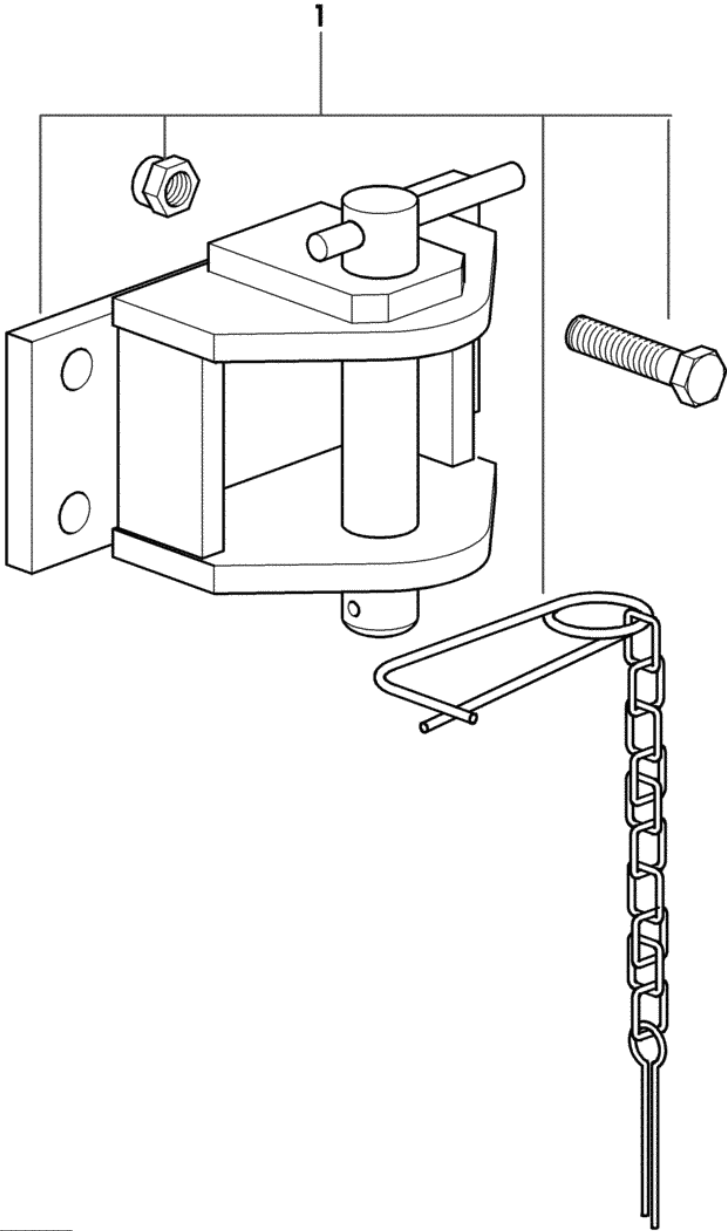
9_40531_30_0_0

Section: ACCESSORY
DRAWBAR COUPLING CAT: "D" - ITALY

Fig.	Code	QTY	Name
------	------	-----	------

Notes:
1177 <- X EXPLORER 85 T 1230 <- X EXPLORER 95 T 1239 <- X EXPLORER 95 TB

1	0.011.3676.4	1	tow hook cat. D ☞ 652 => 652
---	--------------	---	------------------------------------



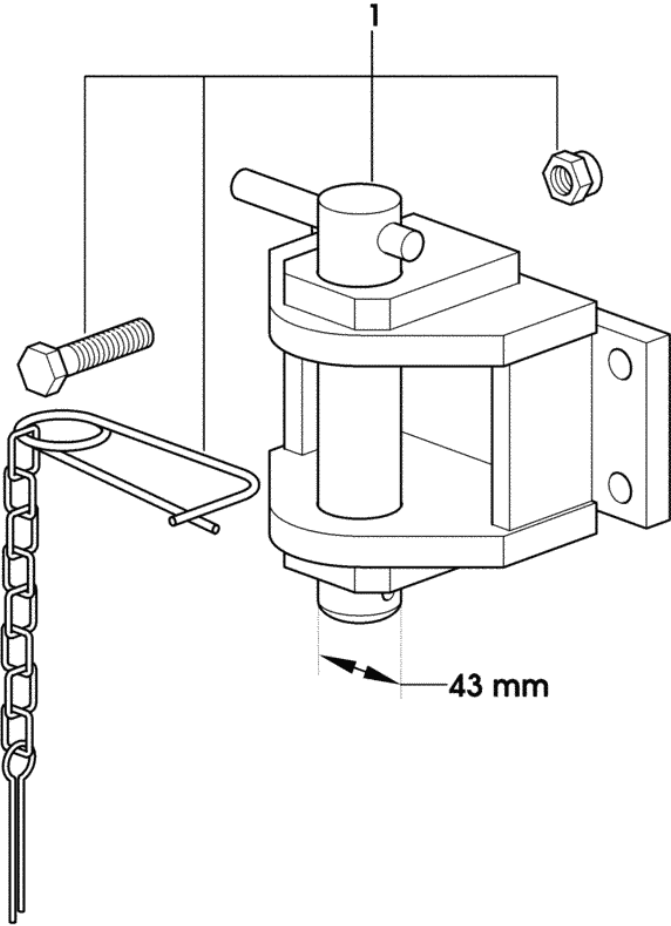
Section: ACCESSORY

REAR TOWING HITCH CAT: "D2" GRASSI

Fig.	Code	QTY	Name
------	------	-----	------

Notes:
 1177 <- X EXPLORER 85 T 1230 <- X EXPLORER 95 T 1239 <- X EXPLORER 95 TB

1	0.011.5643.4	1	clevis cat. D2
			☞ 653
			=> 653

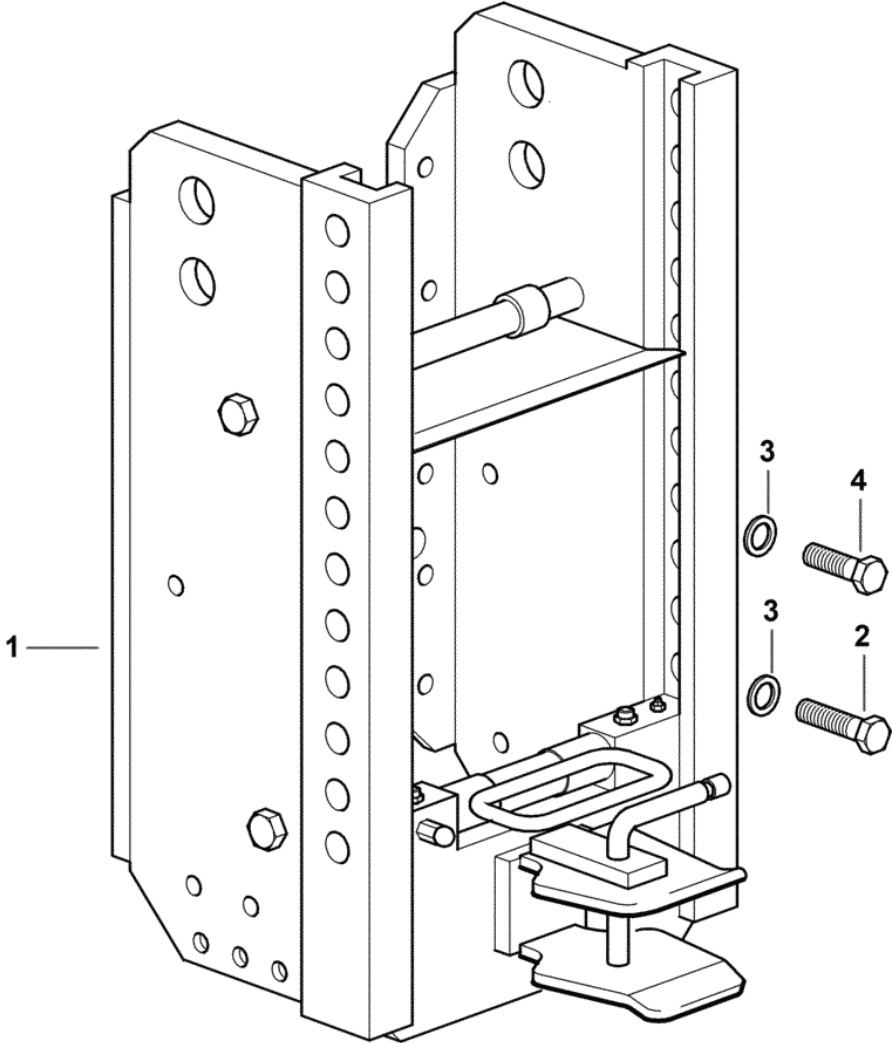


Section: ACCESSORY
REAR TOWING HITCH

Fig.	Code	QTY	Name
------	------	-----	------

Notes:
 1177 <- X EXPLORER 85 T 1230 <- X EXPLORER 95 T 1239 <- X EXPLORER 95 TB

1	0.011.6470.4	1	tow hook CEE ☞ 654 1059 <- X EXPLORER 85 T 1099 <- X EXPLORER 95 T 1086 <- X EXPLORER 95 TB => 654
1	0.011.6470.4/10	1	tow hook CEE ☞ 655 -> 1060 X EXPLORER 85T -> 1100 X EXPLORER 95T -> 1087 X EXPLORER 95TB => 655
2	2.0313.616.2	10	screw m 16 p.2x50
3	2.1474.013.2	12	spring washer 16
4	2.0314.614.2	2	screw m 16 p.2x40

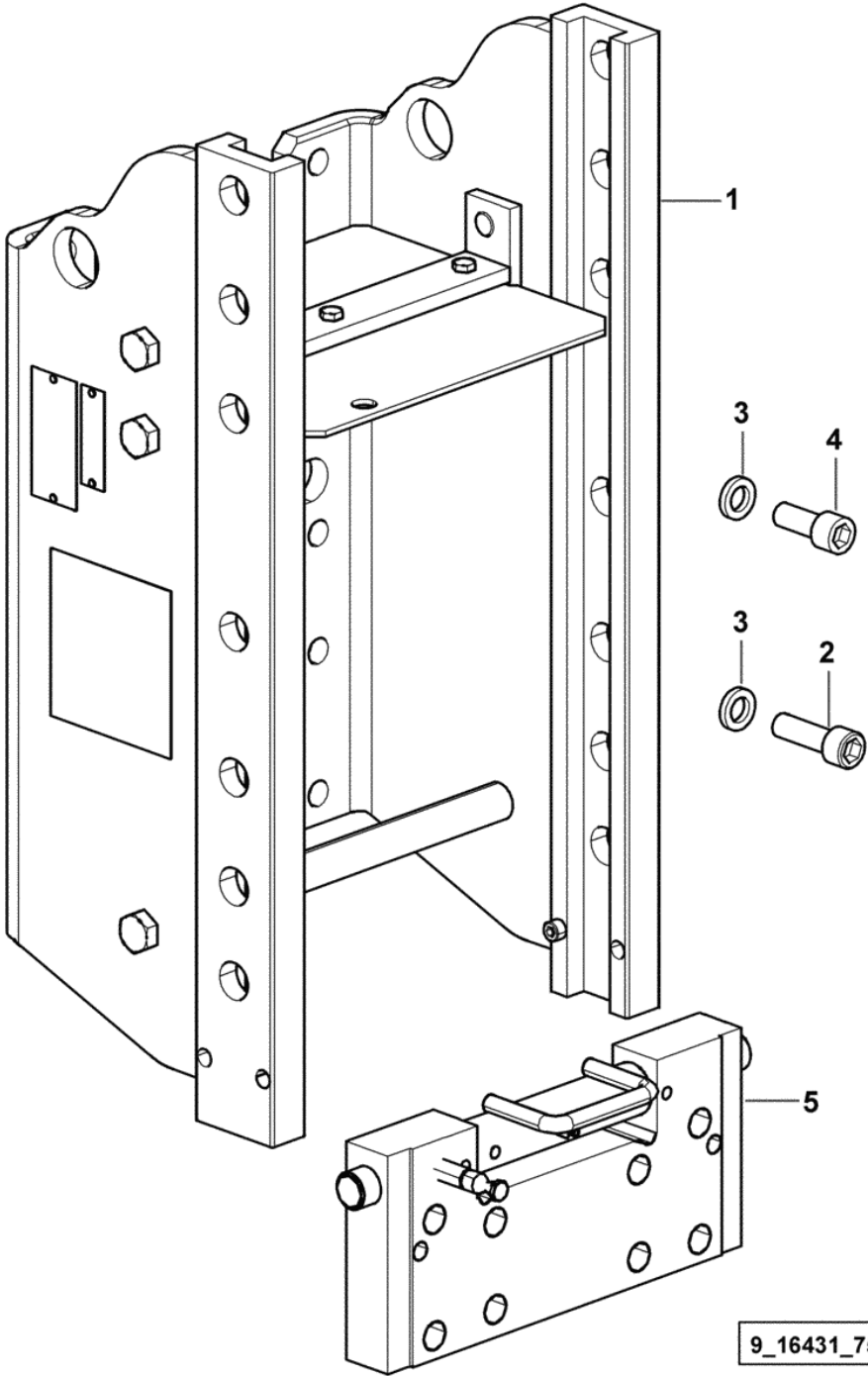


Section: ACCESSORY
REAR TOWING HITCH

Fig.	Code	QTY	Name
------	------	-----	------

Notes:
 -> 1178 X EXPLORER 85T -> 1231 X EXPLORER 95T -> 1240 X EXPLORER 95TB

1	0.014.4484.3/10	1	chassis frame
2	2.0313.616.2	10	screw m 16 p.2x50
3	2.1474.013.2	12	spring washer 16
4	2.0314.614.2	2	screw m 16 p.2x40
5	0.014.4485.3	1	plate
			☞ 656
			=> 656



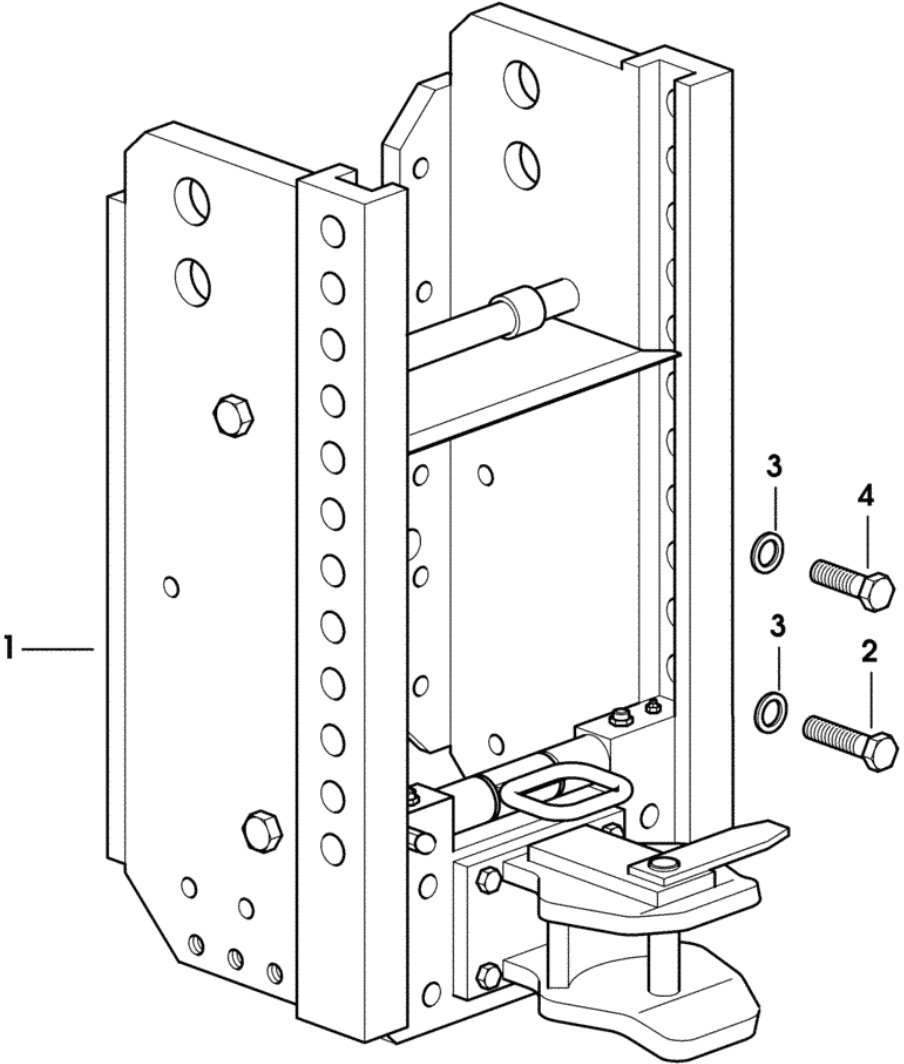
9_16431_75_0_A

Section: ACCESSORY
REAR TOWING HITCH (GRASSI) CUNA - cat. C

Fig.	Code	QTY	Name
------	------	-----	------

Notes:
 1177 <- X EXPLORER 85 T 1230 <- X EXPLORER 95 T 1239 <- X EXPLORER 95 TB

1	0.011.6480.4/10	1	tow hook CUNA - cat. C ☞ 659 => 659
2	2.0313.616.2	10	screw m 16 p.2x50
3	2.1474.013.2	12	spring washer 16
4	2.0314.614.2	2	screw m 16 p.2x40



9_16431_70_0_0

Section: ACCESSORY

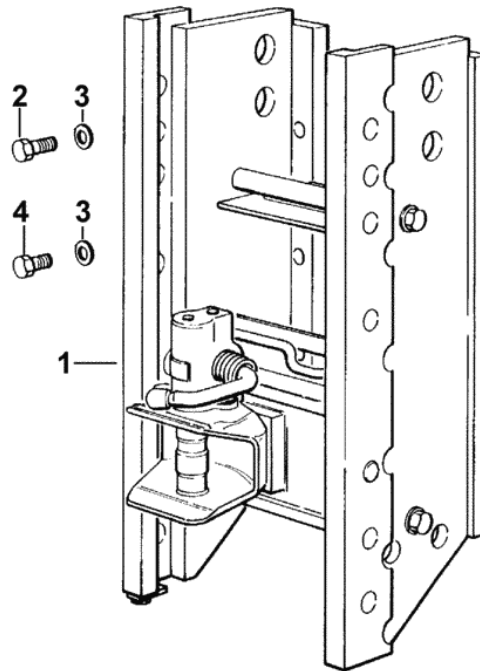
REAR TOWING HITCH EXPORT CH

Fig.	Code	QTY	Name
------	------	-----	------

Notes:

1093 <- X EXPLORER 85 T 1133 <- X EXPLORER 95 T 1106 <- X EXPLORER 95 TB

1	0.011.3090.4	1	tow hook CRAMER ☞ 660 => 660
2	2.0314.616.2	10	screw m 16 p.2x50
3	2.1474.013.2	12	spring washer 16
4	2.0314.614.2	2	screw m 16 p.2x40



Section: ACCESSORY

REAR TOWING HITCH EXPORT CH

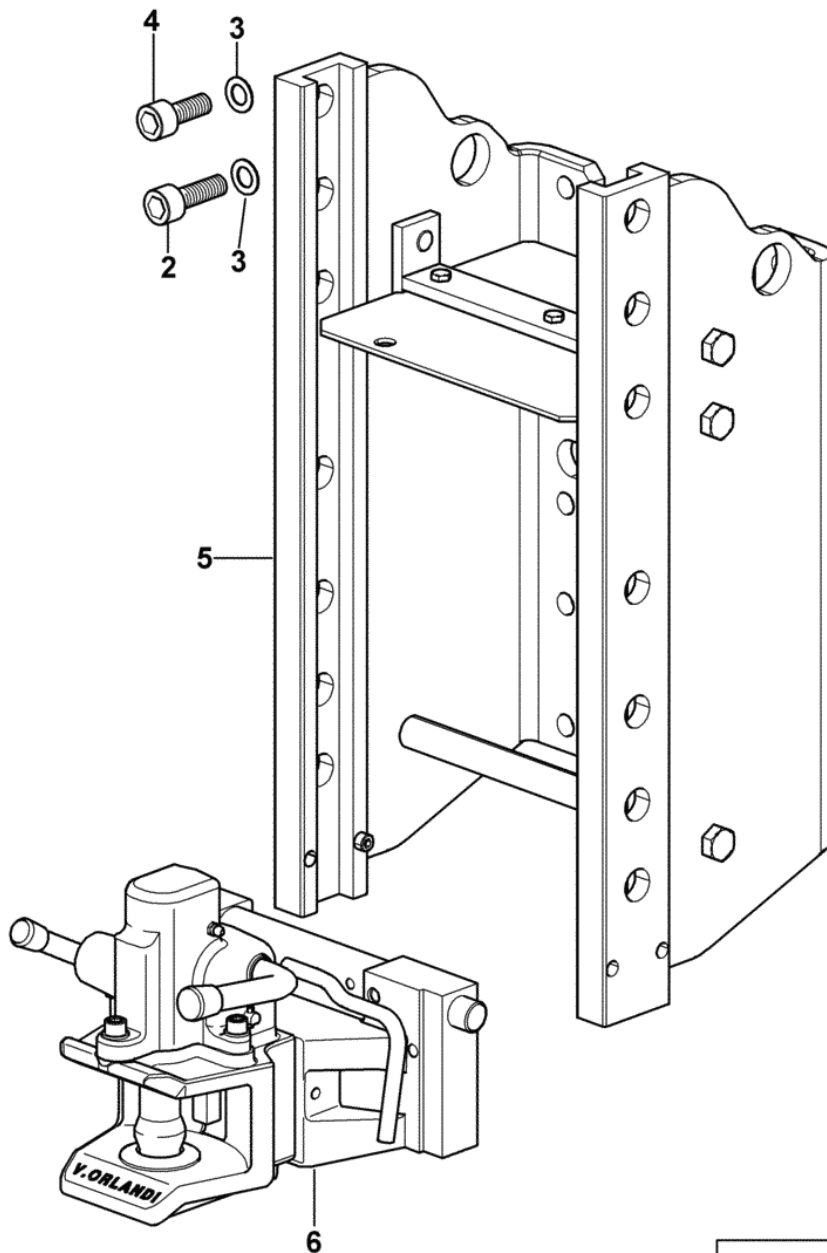


Fig.	Code	QTY	Name
------	------	-----	------

Notes:

-> 1094 X EXPLORER 85T -> 1134 X EXPLORER 95T -> 1107 X EXPLORER 95TB

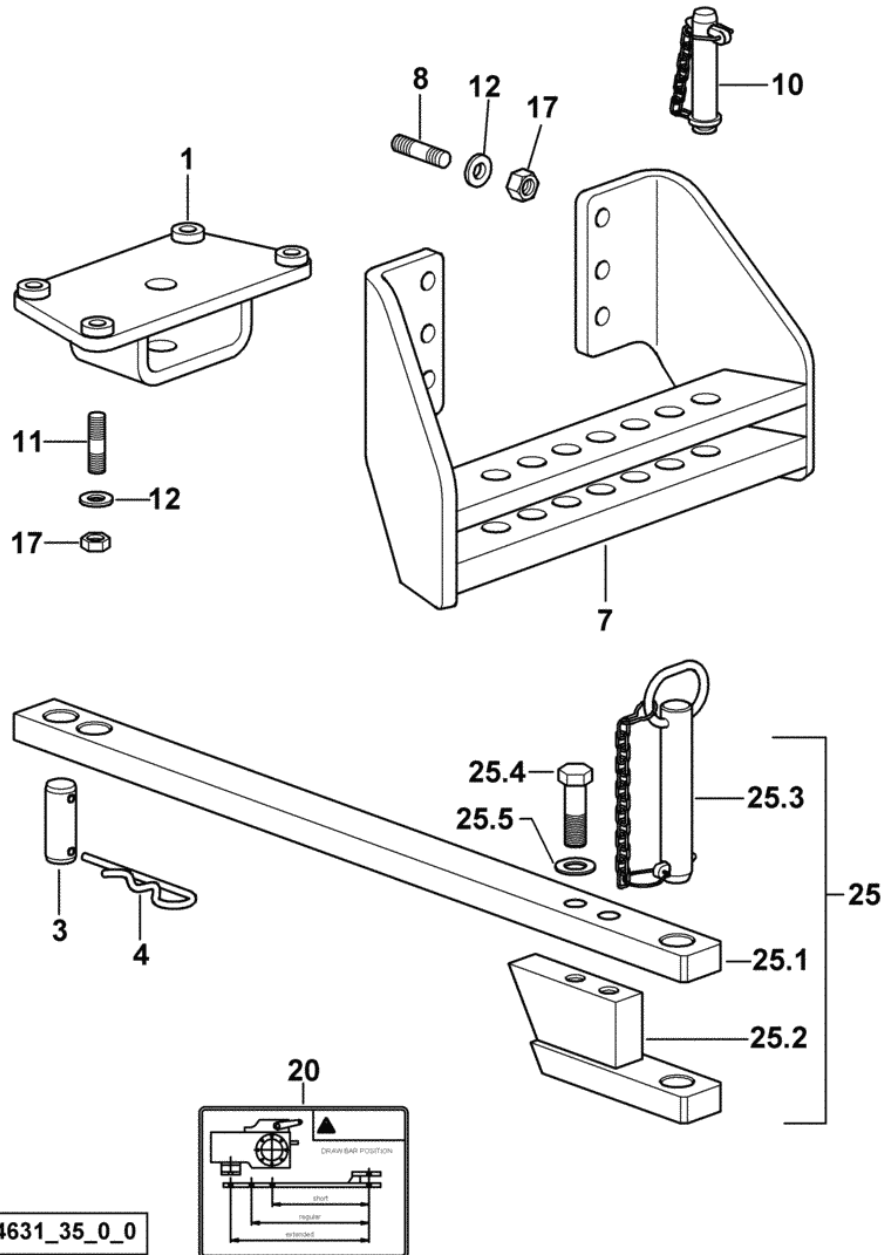
2	2.0314.616.2	10	screw m 16 p.2x50
3	2.1474.013.2	12	spring washer 16
4	2.0314.614.2	2	screw m 16 p.2x40
5	0.014.4483.3/10	1	chassis frame ☞ 661 1177 <- X EXPLORER 85 T 1230 <- X EXPLORER 95 T 1239 <- X EXPLORER 95 TB => 661
5	0.014.4484.3/10	1	chassis frame -> 1178 X EXPLORER 85T -> 1231 X EXPLORER 95T -> 1240 X EXPLORER 95TB
6	0.014.4449.3/20	1	tow hook ☞ 662 (...) <- X EXPLORER 85 T (...) <- X EXPLORER 95 T (...) <- X EXPLORER 95 TB => 662
6	0.014.4449.3/30	1	tow hook ☞ 663 -> (...) X EXPLORER 85T -> (...) X EXPLORER 95T -> (...) X EXPLORER 95TB => 663

9_40531_67_0_A

Section: ACCESSORY

REAR OSCILLATING HITCH cat. A

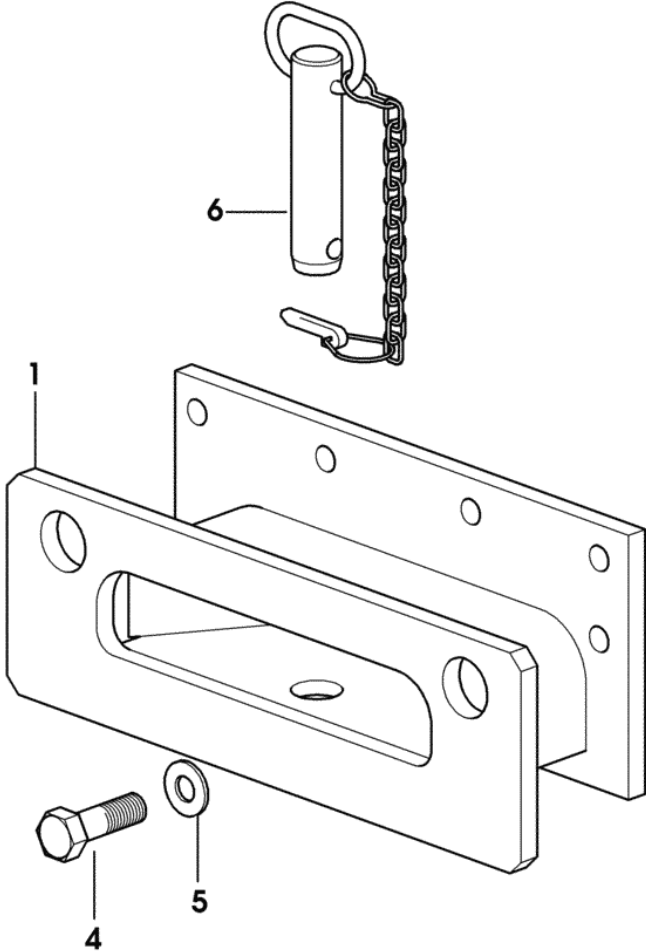
Fig.	Code	QTY	Name
1	0.008.0780.2	1	support
3	2.1679.067.2	1	pin 32x85
4	2.1699.072.2	1	pin
7	0.008.0778.2	1	sector
8	2.0432.413.7	6	stud bolt m 16 p.2-1.5x45
10	0.97303.24.3	2	pin
11	2.0432.411.7	4	stud bolt m 16 p.2-1.5x40
12	2.1499.019.6	10	conical washer 16.3x31.5
17	2.1011.409.2	10	nut m 16 p.1.5
20	2.9939.051.0	1	plate
25	0.000.0000.1	0	not serviceable
25.1	0.008.0782.0/40	1	draw bar
25.2	0.008.0784.3	1	plate
25.3	0.97306.30.3/10	1	pin
25.4	2.0122.822.2	2	screw m 20 p.1.5x65
25.5	2.1475.108.2	2	spring washer 20



9_54631_35_0_0

Section: ACCESSORY
FRONT WEIGHT CARRIER

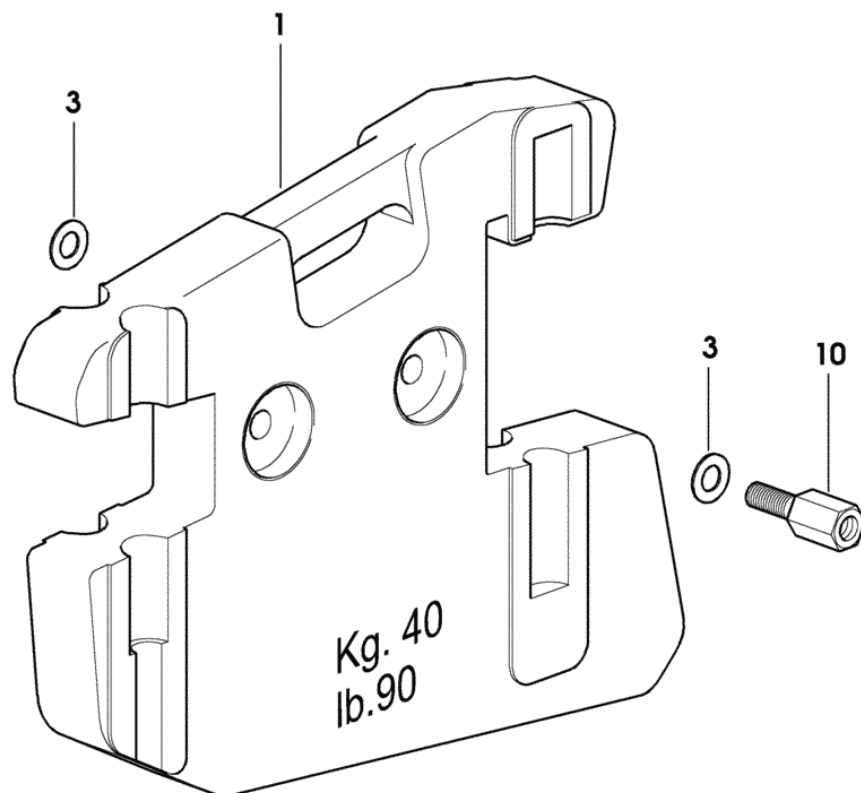
Fig.	Code	QTY	Name
1	0.013.5572.2/10	1	chassis frame
4	2.0112.615.2	6	screw m 16 p.2x40
5	2.1475.006.2	6	washer 17x32
6	0.96309.51.3	1	pin



9_B9852_45_0_0

Section: ACCESSORY
FRONT BALLAST n. 2

Fig.	Code	QTY	Name
1	0.96929.40.0/20	2	ballast 40 Kg - lb 90
3	2.1310.009.2	8	flat washer 15x28
10	0.96916.50.0	4	small column m 14 p.2



9_49052_50_0_0

Section: ACCESSORY
FRONT BALLAST n. 4

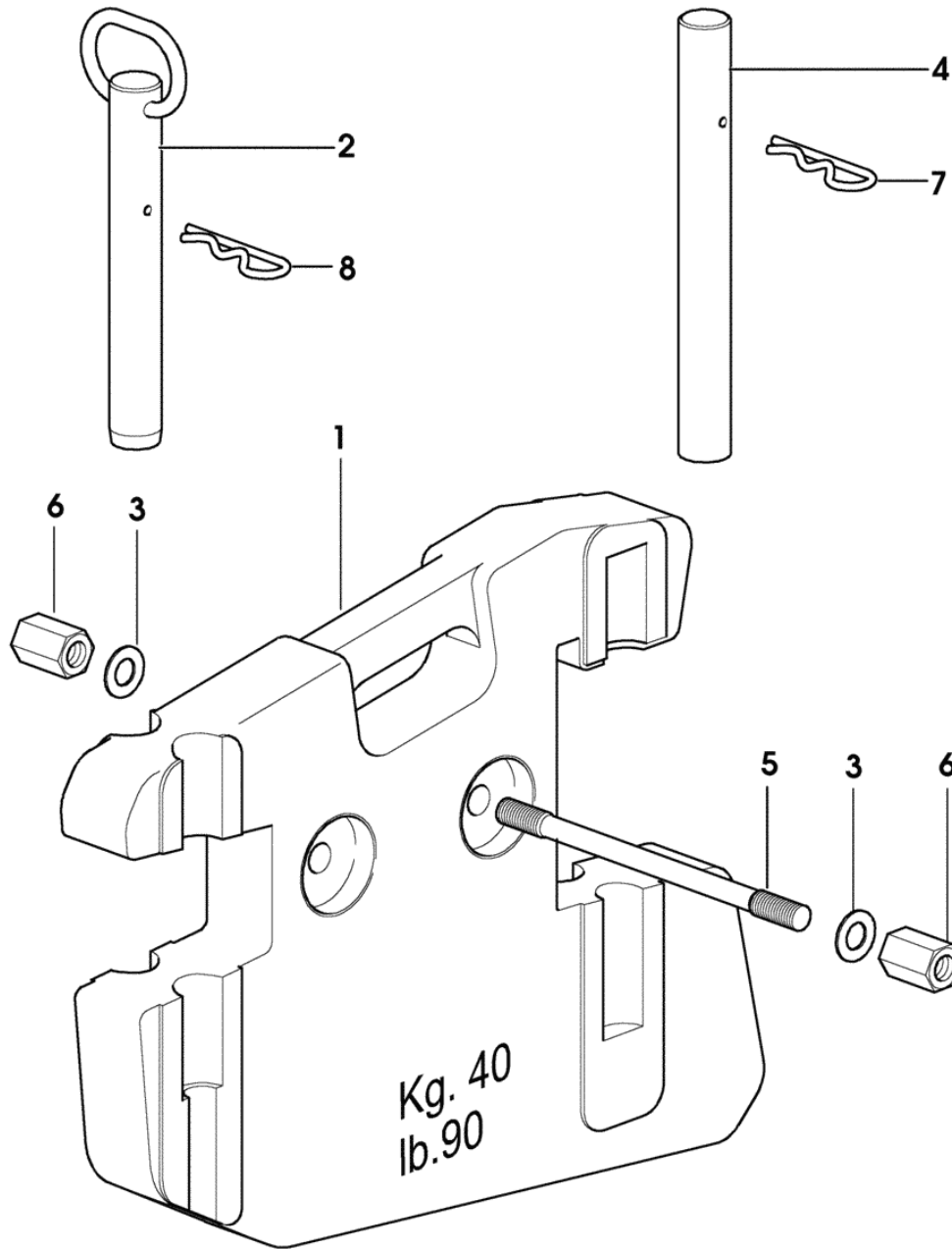
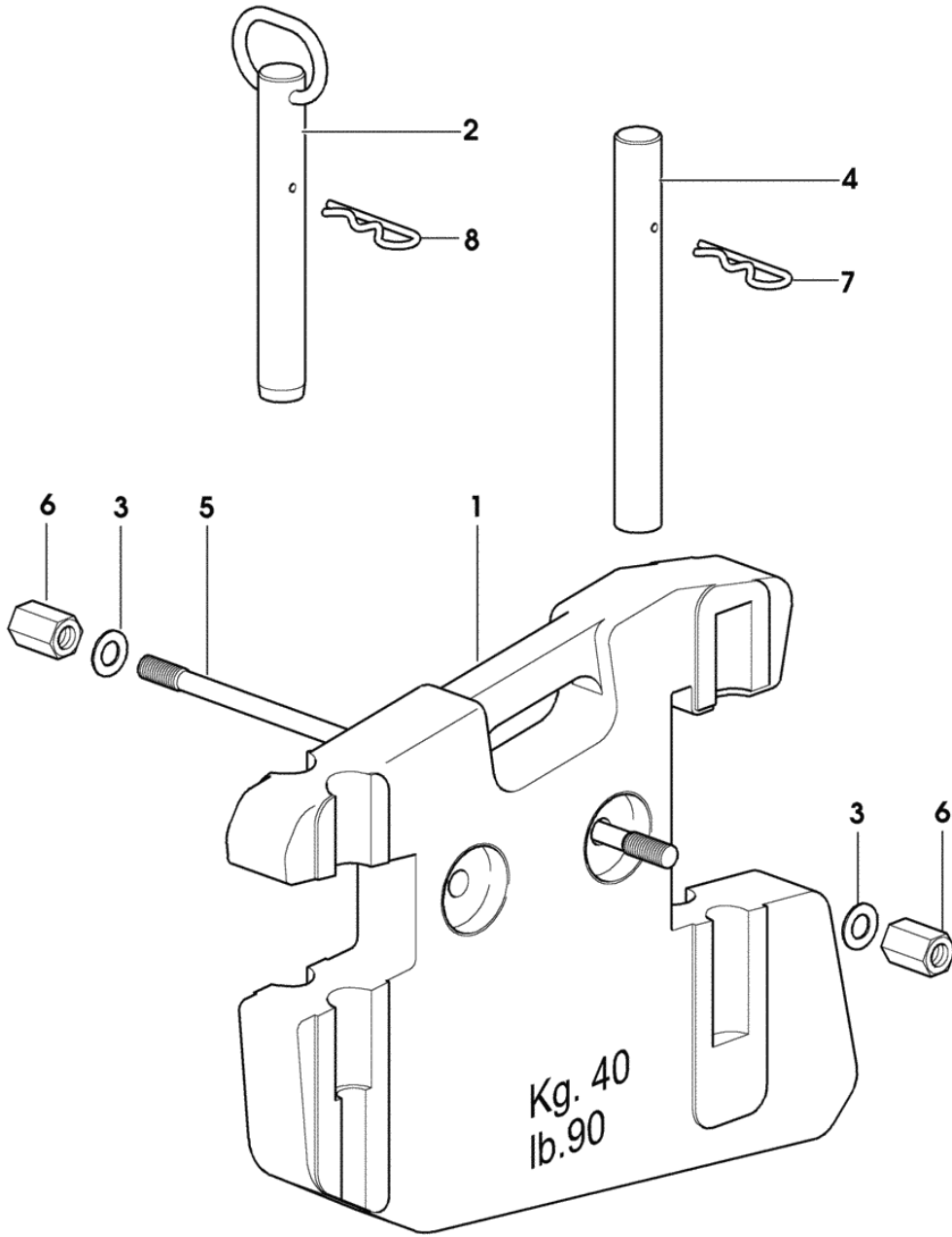


Fig.	Code	QTY	Name
1	0.96929.40.0/20	4	ballast 40 Kg - lb 90
2	0.96928.51.2	1	pin
3	2.1310.009.2	4	flat washer 15x28
4	0.96930.50.0	1	pin
5	0.96930.51.0/10	2	rod
6	2.1099.065.1	4	special nut m 14
7	2.1699.084.2	1	roll pin 27
8	2.1699.084.2	1	roll pin 27

9_49052_51_0_0

Section: ACCESSORY
FRONT BALLAST n. 8

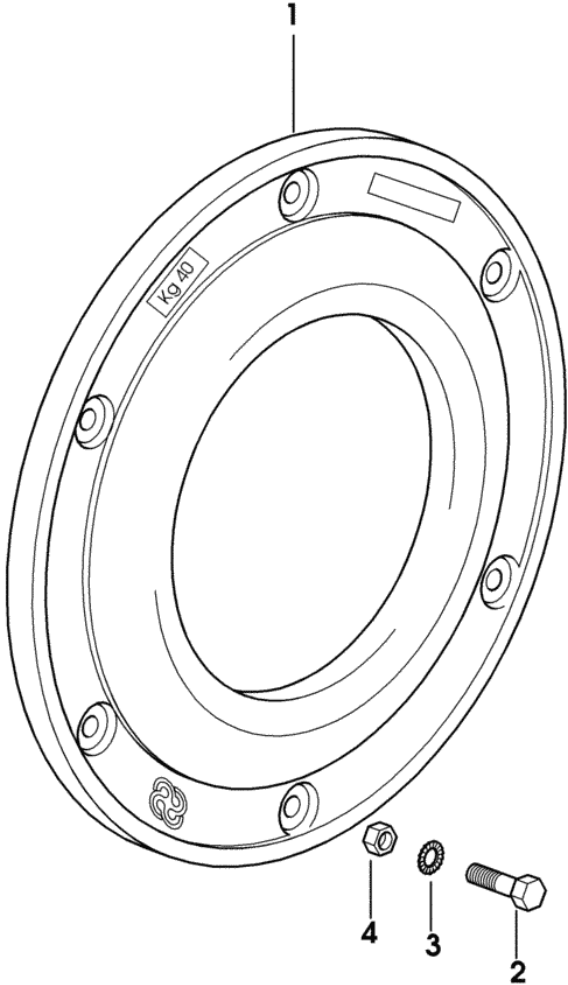
Fig.	Code	QTY	Name
1	0.96929.40.0/20	8	ballast 40 Kg - lb 90
2	0.96928.51.2	1	pin
3	2.1310.009.2	4	flat washer 15x28
4	0.96930.50.0	1	pin
5	0.008.8749.0/10	2	rod
6	2.1099.065.1	4	special nut m 14
7	2.1699.084.2	1	roll pin 27
8	2.1699.084.2	1	roll pin 27



9_40552_52_0_0

Section: ACCESSORY
WHEEL BALLAST

Fig.	Code	QTY	Name
1	0.135.5574.0/10	2	ballast 40 Kg
2	2.0112.620.2	12	screw m 16 p.2x55
3	2.1470.009.2	12	lock washer 16
4	2.1011.409.2	12	nut m 16 p.1.5

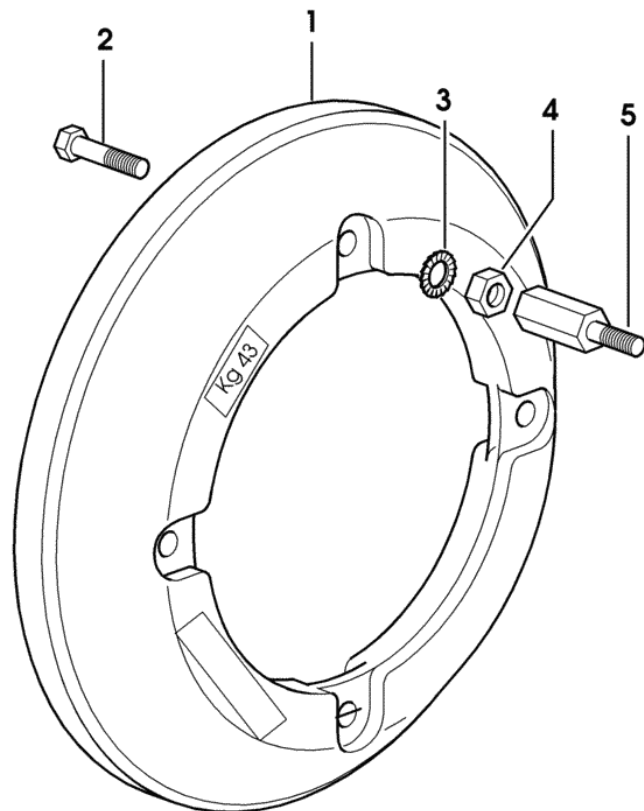


9_40555_91_0_0

Section: ACCESSORY

WHEEL BALLAST

Fig.	Code	QTY	Name
1	0.135.5540.0/10	4	ballast 43 Kg
2	2.0122.623.2	8	screw m 16 p.1.5x70
3	2.1470.009.2	16	lock washer 16
4	2.1011.309.2	8	nut m 16 p.1.5
5	0.001.8527.0	8	small column



9_40555_90_0_0

Section: ACCESSORY

HYDRAULIC BREAKING FOR TRAILER

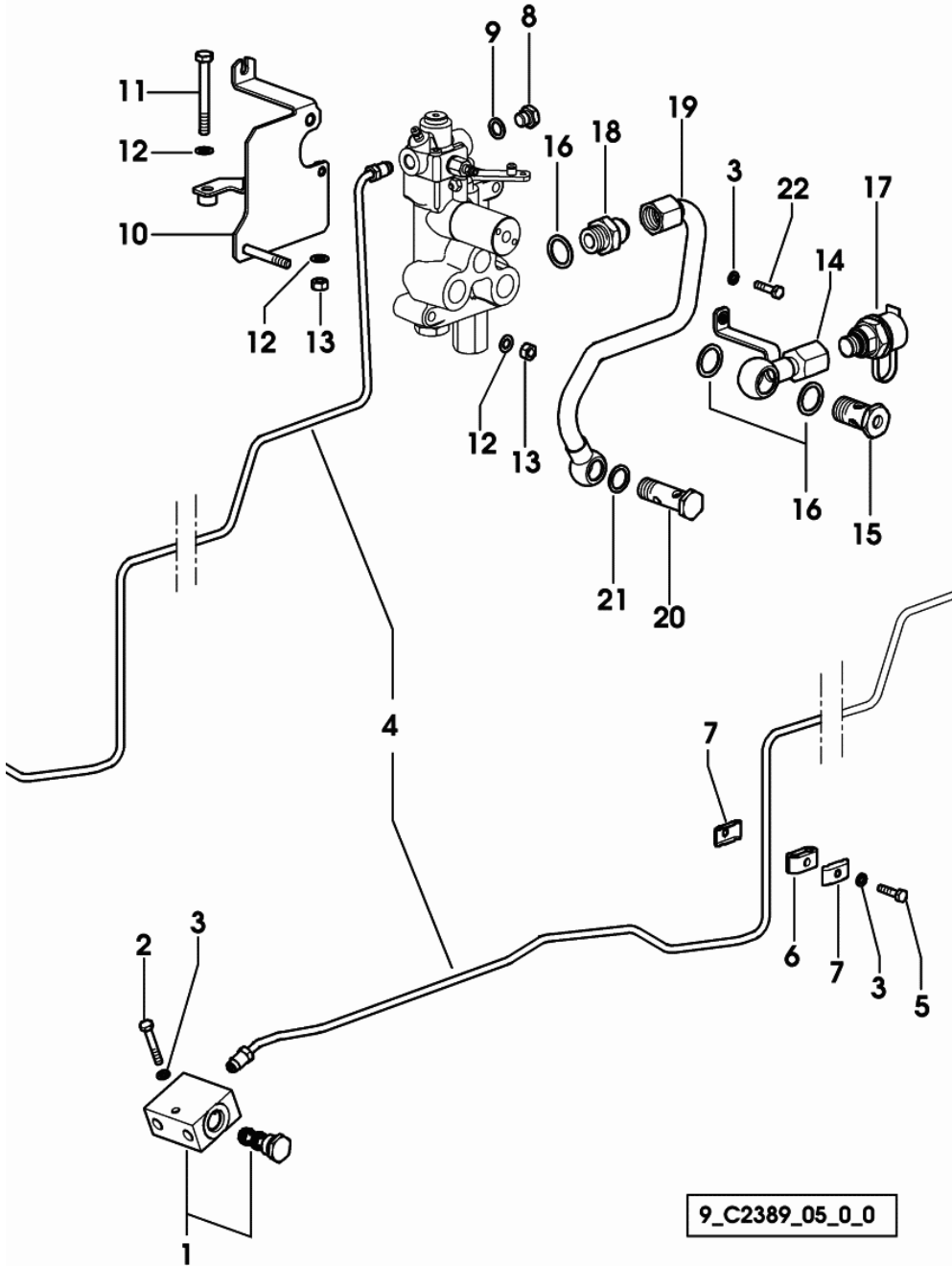


Fig.	Code	QTY	Name
1	0.007.6244.4/10	1	valve
2	2.0112.015.2	1	screw m 6 p.1x40
3	2.1470.002.2	3	lock washer 6
4	0.014.3352.3	1	tube
5	2.0112.009.2	1	screw m 6 p.1x25
6	0.013.1564.0	1	terminal
7	0.013.1566.0	2	small plate
8	2.3110.422.2	1	plug m 12
9	2.1560.008.0	1	gasket 12.2x18
10	0.014.3316.3	1	bracket
11	2.0112.223.2	1	screw m 8 p.1.25x70
12	2.1470.004.2	3	lock washer 8
13	2.1011.105.2	2	nut m 8 p.1.25
14	0.014.3349.3	1	tube
15	2.3335.009.2	1	pipe union m 22 p.1.5X39
16	2.1560.018.0	3	gasket 22.2x29
17	0.011.0433.4/10	1	coupling
18	2.3261.012.2	1	pipe fitting m 22 p.1.5-7/8"
19	0.014.3353.3	1	tube
20	2.3339.485.2/10	1	pipe union m 18 p.1.5x55
21	2.1560.014.0	1	gasket 18.2x24x1.5
22	2.0112.004.2	1	screw m 6 p.1x14

9_C2389_05_0_0

Section: ACCESSORY

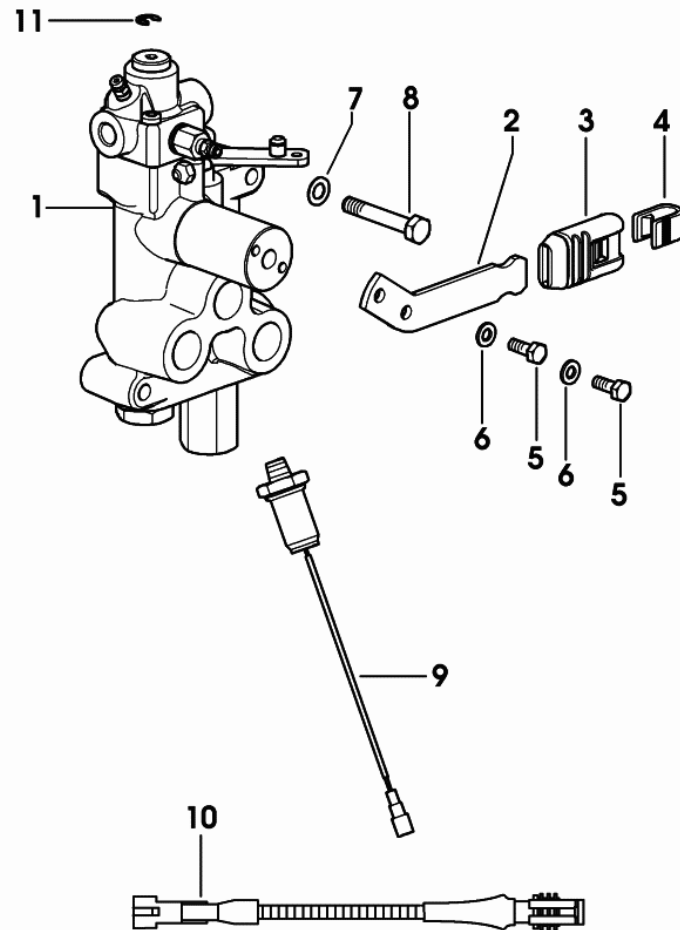
HYDRAULIC BREAKING FOR TRAILER - ITALY -

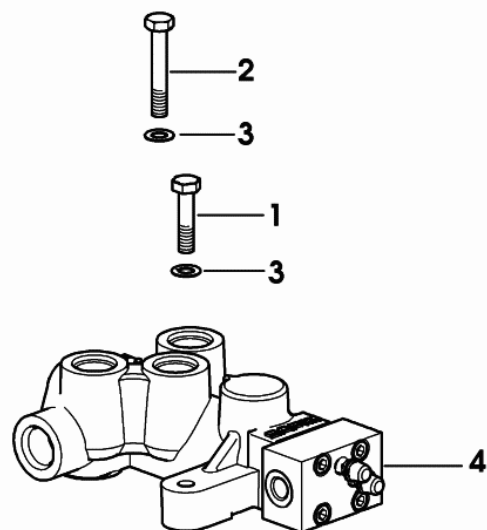
Fig.	Code	QTY	Name
1	2.3719.810.0/10	1	valve ☞ 664 => 664
2	0.014.3355.0	1	lever
3	0.007.5561.0	1	knob
4	0.007.5562.0	1	coupling
5	2.0112.005.2	2	screw m 6 p.1x16
6	2.1310.002.2	2	flat washer 6.4x12.5
7	2.0122.219.2	1	screw m 8 p.1x50
8	2.1470.004.2	1	lock washer 8
9	2.7099.960.0	1	pressure switch 11 Bar
10	0.014.1645.4	1	wire
11	2.1430.007.7	1	circlip 6

9_C2389_10_0_0

Section: ACCESSORY

HYDRAULIC BREAKING FOR TRAILER - EXPORT F

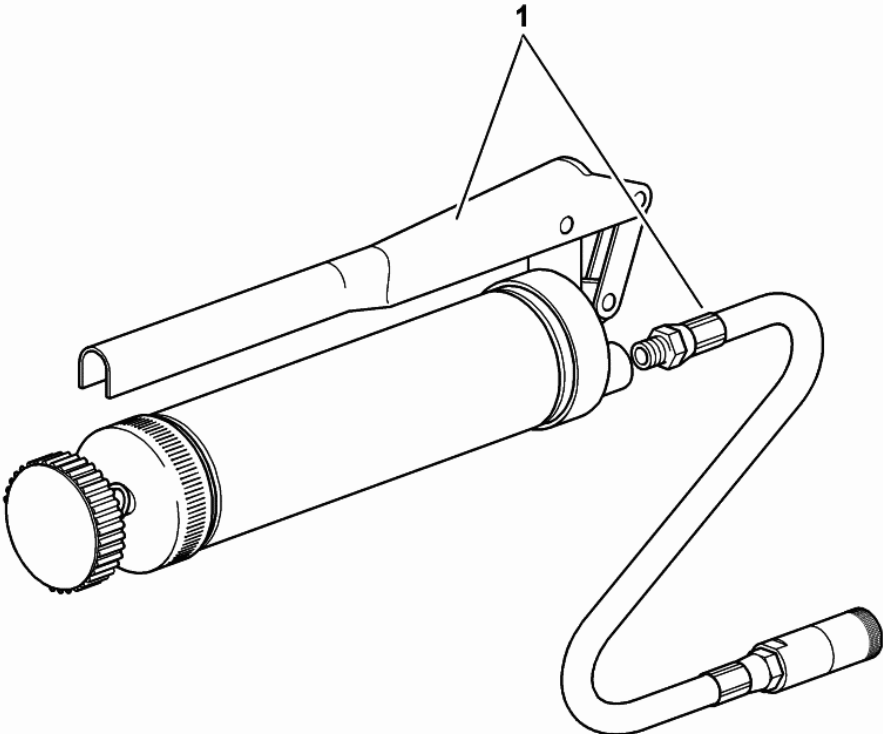
Fig.	Code	QTY	Name
1	2.0112.213.2	1	screw m 8 p.1.25x35
2	2.0112.219.2	1	screw m 8 p.1.25x50
3	2.1470.004.2	2	lock washer 8
4	2.3719.550.0/40	1	valve ☞ 665 => 665



9_C1389_00_0_0

Section: ACCESSORY
LUBRICATOR

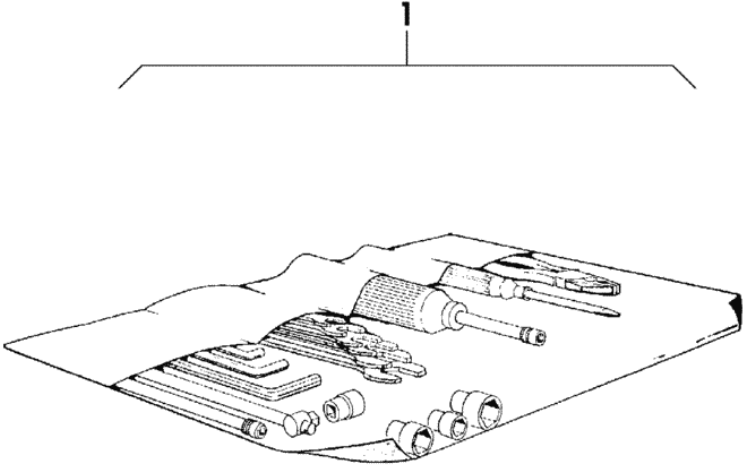
Fig.	Code	QTY	Name
1	0.011.6506.3	1	lubricator



9_59273_01_0_0

TOOL POUCH

Fig.	Code	QTY	Name
1	9.62073.11.0	1	small tool box



9_62073_11_0_0

EXPLORER 85 T

PARTS

GOVERNOR PARTS.....	577
GOVERNOR PARTS.....	578
GOVERNOR PARTS.....	579
FUEL FEED PUMP.....	583
FUEL FILTER PARTS.....	584
PRE-FILTER - COMPONENTS.....	585
PUMP-COMPONENTS.....	586
CYLINDER PARTS.....	587
SYNCHRONIZER PARTS.....	588
SYNCHRONIZER PARTS.....	589
SYNCHRONIZER PARTS.....	590
STEERING ROD - MECH. STEERING - TELESCOPIC AXLE.....	591
HYDRAULIC CYLINDER.....	592
STEERING ROD - MECH. STEERING - TELESCOPIC AXLE.....	593
4WD - POWER STEERING CYLINDER - COMPONENTS.....	594
4WD - AXLESHAFTS.....	596
P.T.O. SHAFT.....	599
P.T.O. SHAFT.....	600
HYDR. STEERING DISTRIBUTOR PARTS.....	601
HYDRAULIC PUMP PARTS.....	604
HYDRAULIC PUMP PARTS.....	605
PUMP-COMPONENTS.....	608
HYDRAULIC PUMP PARTS.....	609
HYDRAULIC PUMP PARTS.....	610
REDUCE AND OLD VALVE.....	611
REDUCE AND OLD VALVE.....	612
SOLENOID VALVE.....	613
WATER COOLER.....	615
REARVIEW MIRROR.....	617
REARVIEW MIRROR.....	618
AIR FILTER.....	619
SEAT SPRINGING.....	620
SEAT SPRINGING.....	621
SEAT-COMPONENTS.....	622
HEADLAMP COMPONENTS.....	623
HEADLAMP COMPONENTS.....	624
HEADLAMP COMPONENTS.....	625
HEADLAMP COMPONENTS.....	626
HEADLAMP COMPONENTS.....	629
FLASHING LIGHT SUPPORT.....	630
HEADLAMP COMPONENTS.....	631

ELECTRIC REV-HOUR RECORDER TACHOMETER.....	632
STARTER PARTS.....	633
ALTERNATOR PARTS.....	634
ELECTRICAL SYSTEM.....	635
HEADLAMP COMPONENTS.....	636
HEADLAMP COMPONENTS.....	637
HEADLAMP COMPONENTS.....	638
ELECTRICAL SYSTEM.....	639
ELECTRICAL SYSTEM.....	640
HYDRAULIC CYLINDER.....	643
DISTRIBUTOR.....	644
HYDRAULIC DISTRIBUTOR-PARTS.....	645
ENGAGEMENT.....	646
HYDRAULIC DISTRIBUTOR-PARTS.....	647
TOWING HITCH.....	649
LINKAGE.....	651
REAR TOWING HITCH CAT: "D".....	652
REAR TOWING HITCH CAT: "D2".....	653
REAR TOWING HITCH CAT: "C".....	654
DRAWBAR COUPLING.....	655
SLIDE mm 320.....	656
REAR TOWING HITCH CAT: "C".....	659
DRAWBAR COUPLING.....	660
TRAILER STAND - DRAWBAR COUPLING.....	661
DRAWBAR COUPLING mm 38.....	662
DRAWBAR COUPLING mm 38.....	663
VALVE PARTS.....	664
TRAILER BRAKE VALVE.....	665

Section: PARTS
GOVERNOR PARTS

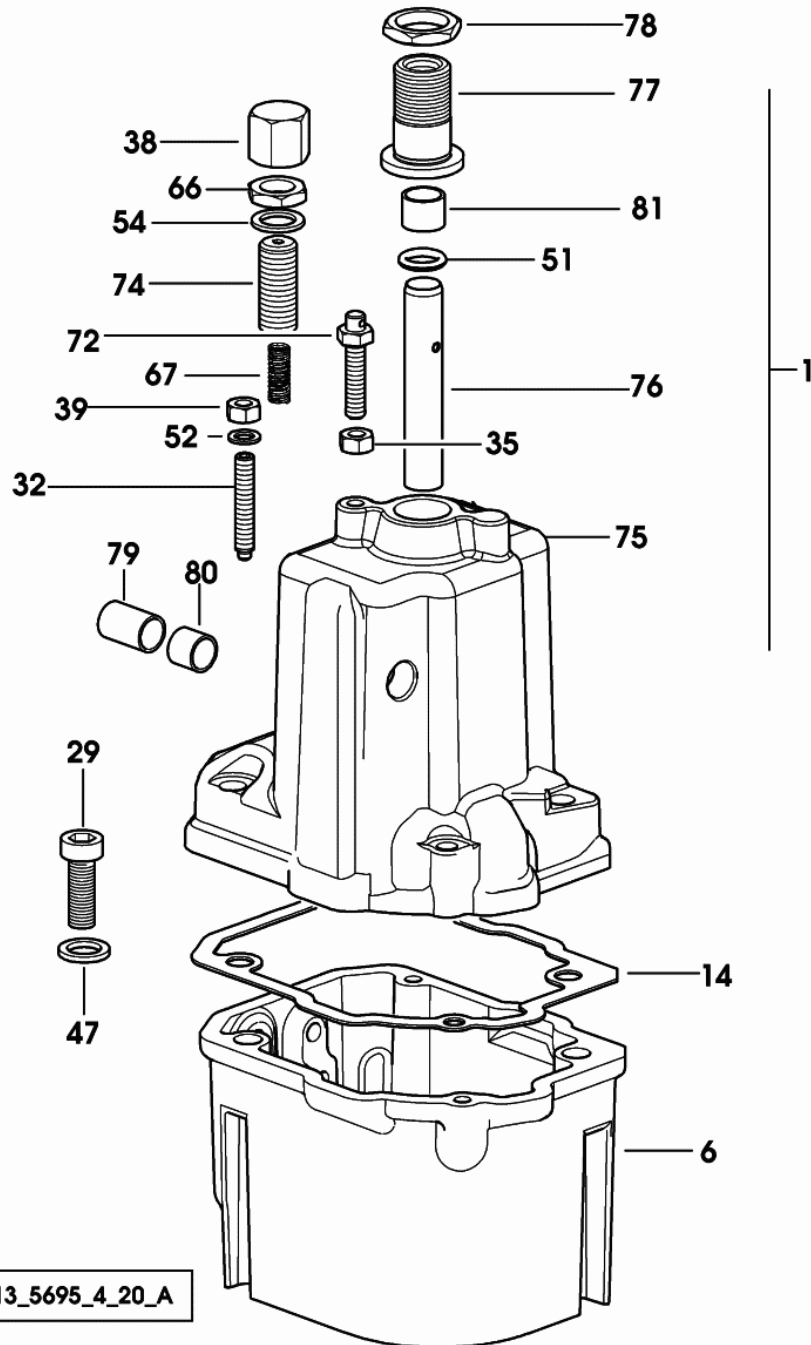


Fig.	Code	QTY	Name
1	0.000.0000.1	-	not serviceable
6	0.065.1652.0/10	1	governor housing
14	0.065.1673.0/20	1	gasket
29	2.0312.112.2	2	screw m 6 p.1x35
32	2.0599.063.1	1	screw m 6x35
35	2.1011.103.2	1	nut m 6 p.1
38	2.1099.105.2	1	cap nut m 12 p.1.25
39	2.1120.103.2	1	nut m 6
47	2.1480.012.1	2	washer 6
51	2.1530.022.0	1	'o' ring 9.92x2.62
52	2.1560.001.0	2	gasket 6.2x10
54	2.1560.008.0	2	gasket 12.2x18
66	2.1019.086.2	1	nut m 12 p.1.25
67	2.4019.367.7	1	spring 6.8x18.5x0.8
72	2.0399.111.2	1	screw m 6x26
74	0.066.1665.0	1	screw
75	0.065.1651.0	1	cover
76	0.065.1678.0/10	1	tube
77	0.065.1677.0/10	1	pipe fitting
78	2.1099.096.2	1	nut m 18 p.1.5
79	2.1579.729.7	1	sleeve 10x12x18
80	2.1579.728.7	1	sleeve 10x12x10
81	2.1555.005.0	1	bushing 10x12x10

0_013_5695_4_20_A

Section: PARTS
GOVERNOR PARTS

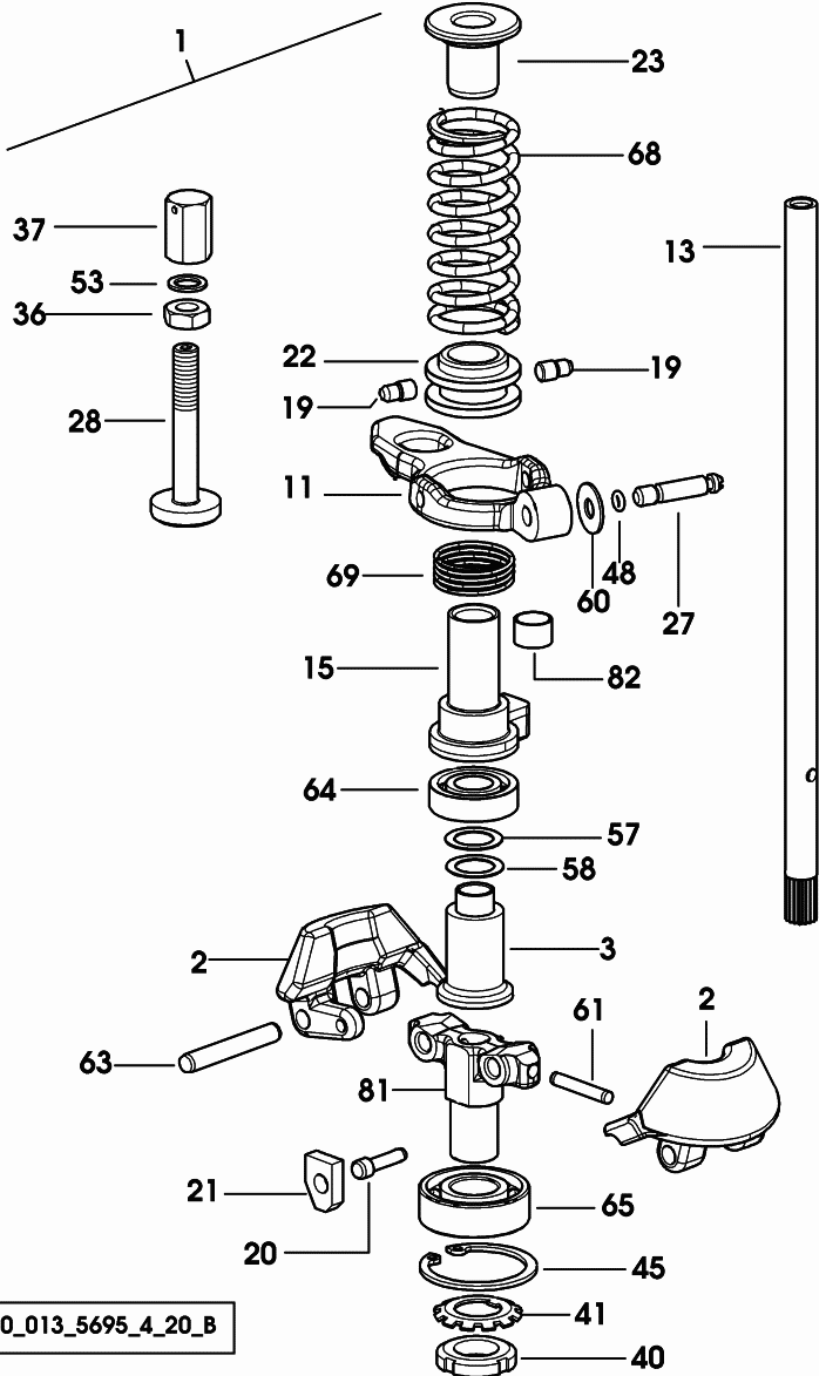


Fig.	Code	QTY	Name
1	0.000.0000.1	-	not serviceable
2	0.065.1616.0	2	adjust.rocker
3	0.065.1618.0	1	sleeve
11	0.066.1664.0	1	lever
13	0.065.1671.3/10	1	shaft
15	0.065.1670.0/10	1	sleeve
19	0.065.1681.0/10	2	pin
20	0.065.1682.0	1	pin
21	0.065.1683.0	2	small plate
22	0.065.1684.0/10	1	sleeve
23	0.065.1685.0/10	1	sleeve
27	2.0399.101.7	1	screw m 6x30
28	2.0399.147.2	1	screw m 8 p.1x58
36	2.1011.505.2	3	nut m 8 p.1
37	2.1099.121.2/10	1	cap nut m 8 p.1
40	2.1211.003.2	1	ring nut 15 mc
41	2.1241.003.1	1	lock-nut 15
45	2.1411.014.1	1	circlip 35
48	2.1530.003.0	1	'o' ring 2.90x1.78
53	2.1560.003.0	3	gasket 8.2x12
57	2.1589.160.0	2	shim 12.5x18x0.5
58	2.1589.161.0	2	shim 12.5x18x0.2
60	2.1599.457.2	2	snoulder 6.2x16x1
61	2.1631.311.0	1	roll pin 3x24
63	2.1655.312.0	2	pin a 6x40
64	2.2030.002.0	1	ball bearing 12x28x8
65	2.2040.003.0	1	ball bearing iso 15 bc 02
68	2.4019.762.7	1	spring 29x68x3.4
69	2.4019.317.0	1	spring 25.4x24.5x1.4
81	0.065.1615.0/10	1	support
82	2.1555.005.0	2	bushing 10x12x10

0_013_5695_4_20_B

Section: PARTS
GOVERNOR PARTS

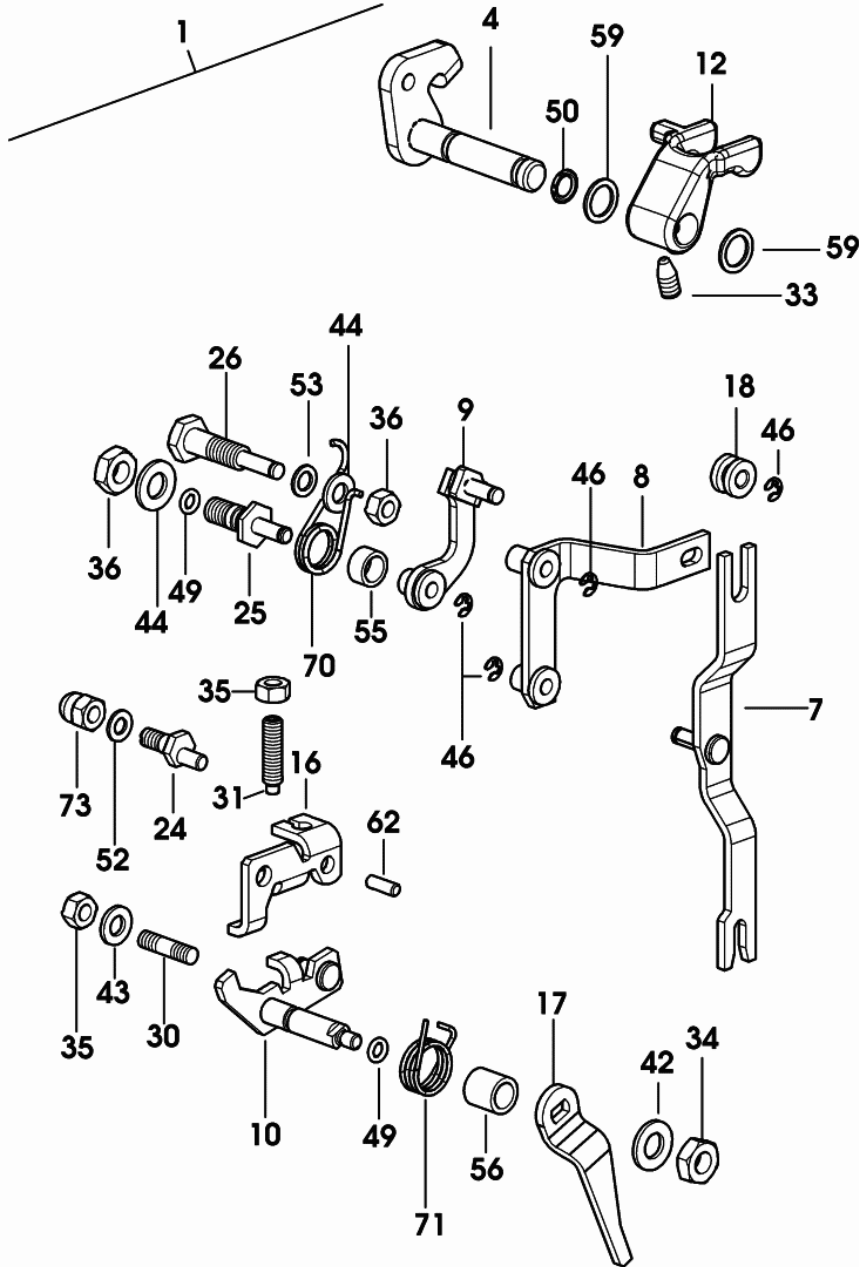
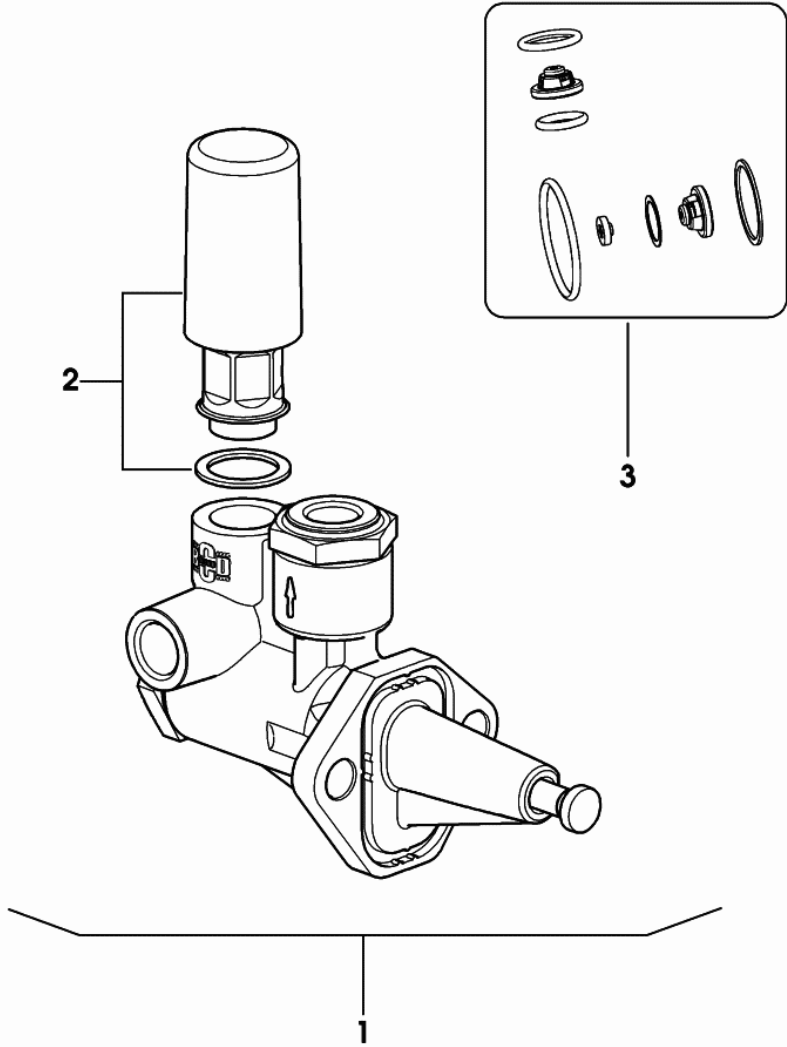


Fig.	Code	QTY	Name
1	0.000.0000.1	-	not serviceable
4	0.066.1622.2	1	lever
7	0.065.1664.2/10	1	lever
8	0.065.1665.2/20	1	lever
9	0.007.0760.2	1	lever
10	0.065.1667.2	1	lever
12	0.065.1669.0	1	lever
16	0.065.1675.0	1	bracket
17	0.065.1679.0/10	1	lever
18	0.065.1680.0	1	bushing
24	0.065.1686.0/20	1	eccentric
25	0.065.1687.0	1	pin
26	2.0399.300.7	1	pin m 8 p.1x38.5
30	2.0439.158.2	1	stud bolt m 8x15
31	2.0522.110.7	1	screw
33	2.0599.057.2/10	1	screw
34	2.1011.102.2	1	nut m 5 p.0.7
35	2.1011.103.2	3	nut m 6 p.1
36	2.1011.505.2	3	nut m 8 p.1
42	2.1310.001.2	1	flat washer 5.3x10
43	2.1310.002.2	1	flat washer 6.4x12.5
44	2.1310.004.2	2	flat washer 8.4x16
46	2.1430.004.7	2	circlip 3.2
49	2.1530.007.0	2	'o' ring 4.48x1.78
50	2.1530.012.0	2	'o' ring 6.75x1.78
52	2.1560.001.0	2	gasket 6.2x10
53	2.1560.003.0	3	gasket 8.2x12
55	2.1579.726.2/10	1	spacer 8.4x11.5x6
56	2.1579.730.2	1	spacer 8.4x12x12
59	2.1599.456.2/10	2	snoulder 10.2x14x1
62	2.1651.305.0	1	pin 4x12
70	2.4099.062.2	1	spring
71	2.4099.034.2	1	spring
73	2.1030.001.7	1	nut m 6

0_013_5695_4_20_C

Section: PARTS
FUEL FEED PUMP

Fig.	Code	QTY	Name
1	2.4519.330.0/50	1	feed pump
2	0.010.3888.0	1	primer
3	0.010.3888.1	1	part set

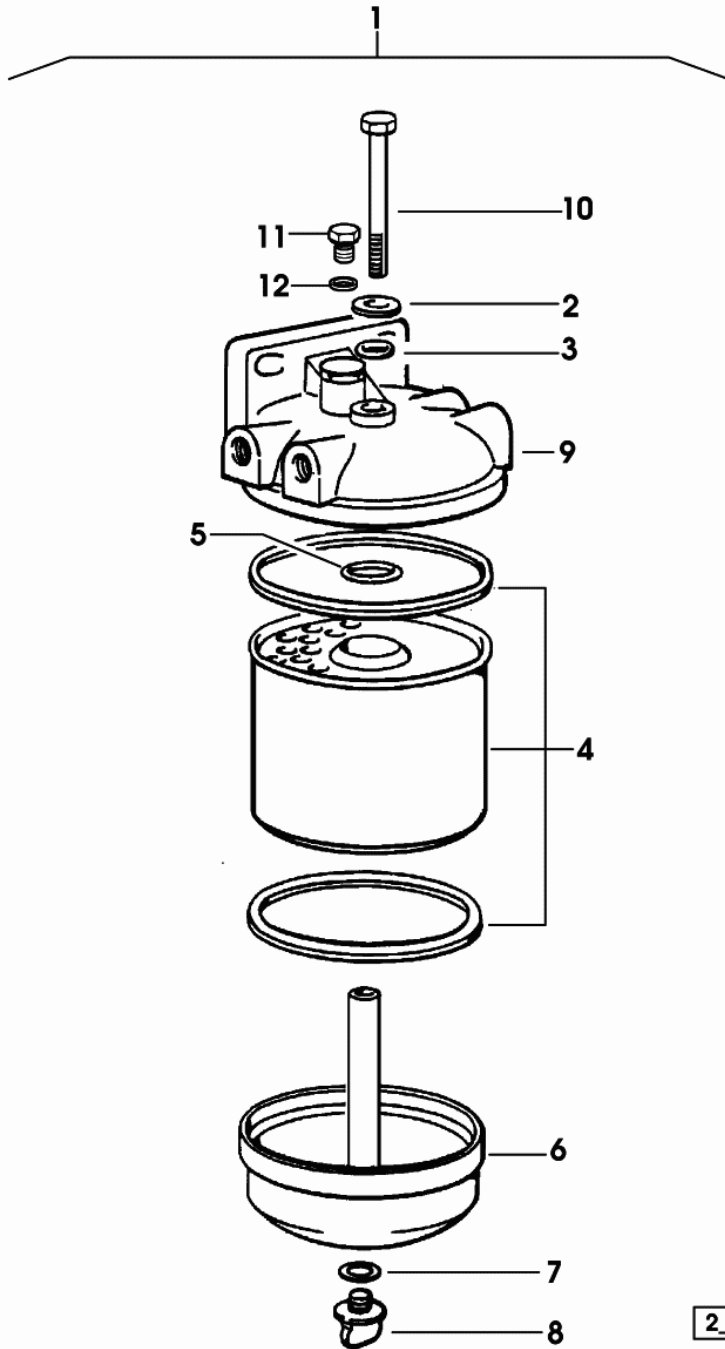


2_4519_330_0_50

Section: PARTS

FUEL FILTER PARTS

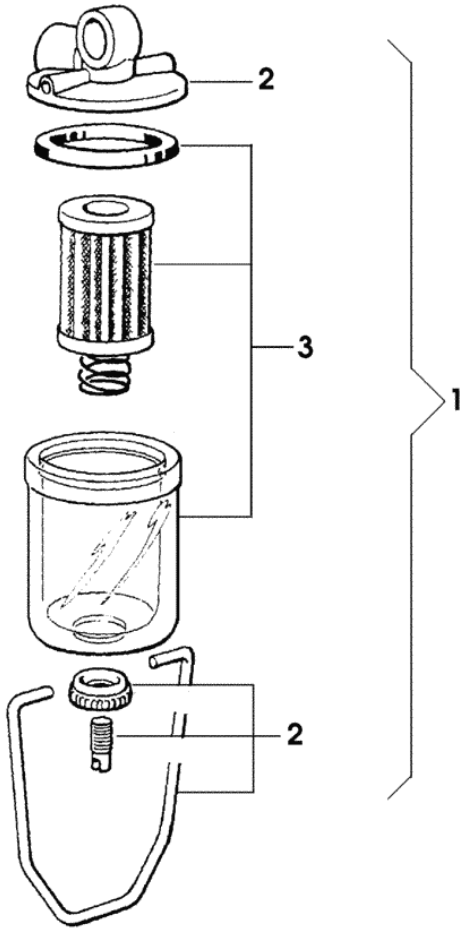
Fig.	Code	QTY	Name
1	2.4319.060.0/20	1	fuel filter
2	2.1310.003.2	1	flat washer 7.4x14
3	2.1530.010.0	1	'o' ring 6.07x1.78
4	2.4319.060.1	1	fuel filter element
5	2.1530.034.0	1	'o' ring 13.95x2.62
6	2.4319.061.1	1	cup
7	2.4319.061.2	1	gasket 8x14x1.5
8	2.4319.061.3	1	plug m 8 p.1.25
9	0.000.0000.1	0	not serviceable
10	2.4319.060.2	1	screw
11	2.3119.005.2	1	plug m 10 p.1.5
12	2.1560.005.0	1	gasket 10.2x14



2_4319_060_0_20

Section: PARTS
PRE-FILTER - COMPONENTS

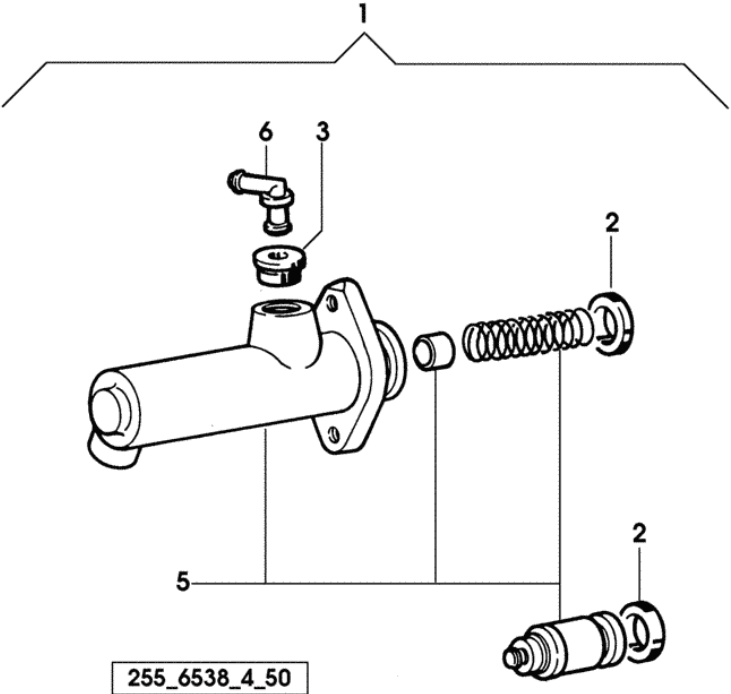
Fig.	Code	QTY	Name
1	2.4319.220.0	1	precleaner
2	0.000.0000.1	0	not serviceable
3	2.4319.220.6	1	filter



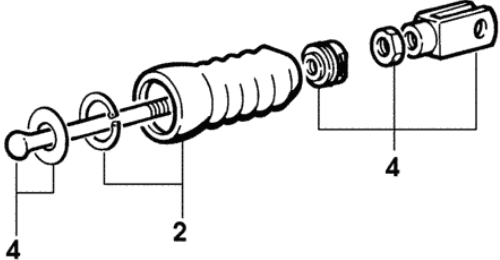
2_4319_220_0

Section: PARTS
PUMP-COMPONENTS

Fig.	Code	QTY	Name
1	0.255.6538.4/50	1	pump
2	0.255.6538.6	1	repair seal set
3	0.003.5099.0	1	rubber plug
4	0.255.6560.1	1	rod
5	0.000.0000.1	0	not serviceable
6	0.257.6691.1	1	coupling

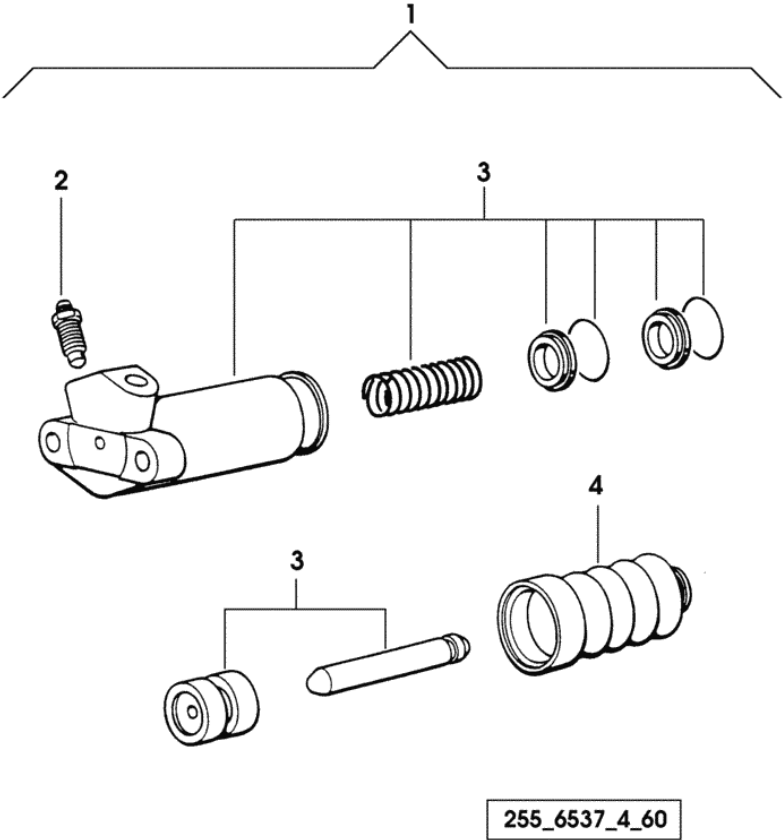


255_6538_4_50



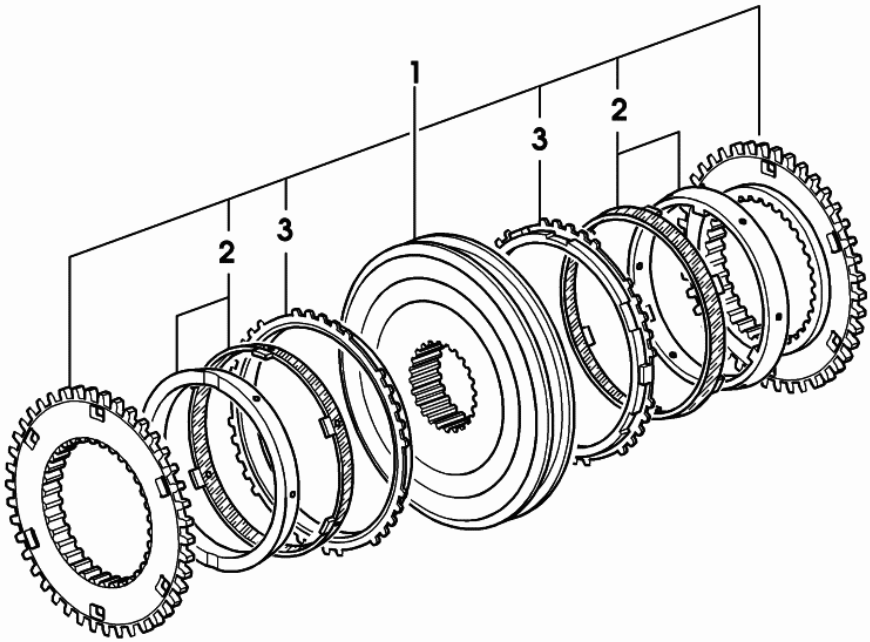
Section: PARTS
CYLINDER PARTS

Fig.	Code	QTY	Name
1	0.255.6537.4/60	1	cylinder
2	0.009.4329.1	1	screw
3	0.000.0000.1	0	not serviceable
4	0.009.4891.1	1	guard



Section: PARTS
SYNCHRONIZER PARTS

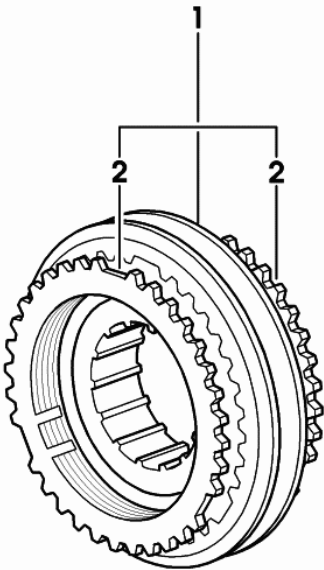
Fig.	Code	QTY	Name
1	0.011.8631.4	1	lock synchronizer
2	0.010.3885.1	2	cone
3	0.010.3885.2	2	ring



0_011_8631_4

Section: PARTS
SYNCHRONIZER PARTS

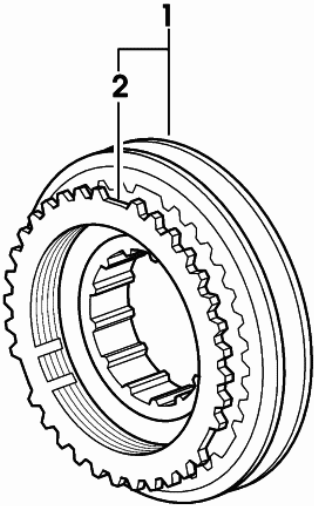
Fig.	Code	QTY	Name
1	0.007.7646.4/10	1	lock synchronizer
2	0.009.4324.1	2	ring



0_007_7646_4_10

Section: PARTS
SYNCHRONIZER PARTS

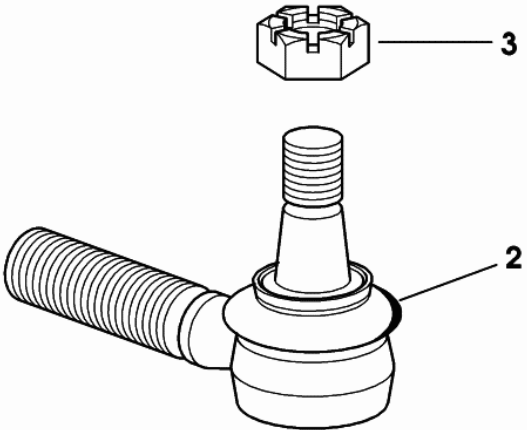
Fig.	Code	QTY	Name
1	0.007.7647.4	1	lock synchronizer 68
2	0.009.4324.1	1	ring



007_7647_4

Section: PARTS
STEERING ROD - MECH. STEERING - TELESCOPIC AXLE

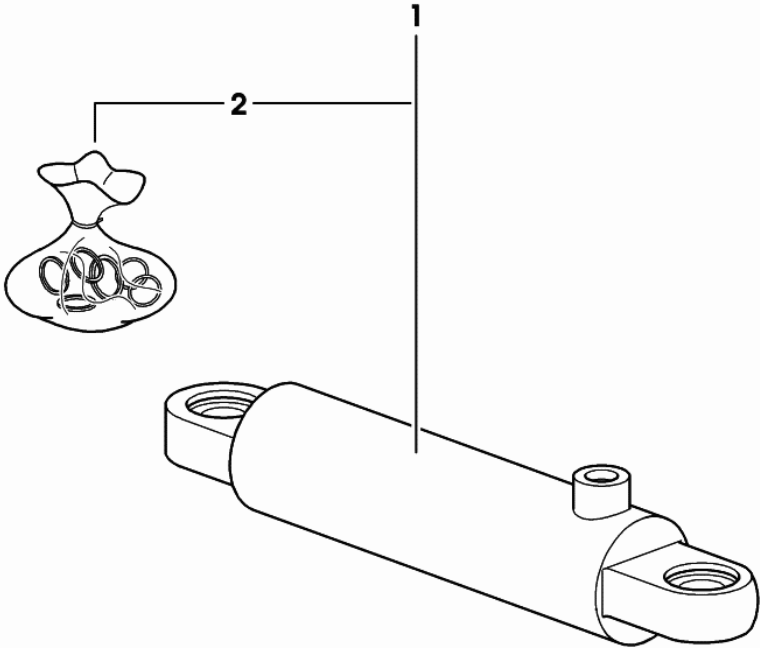
Fig.	Code	QTY	Name
1	0.010.0487.4	1	ball joint
2	0.900.0025.5	1	guard
3	0.900.0025.6	1	nut



0_010_0487_4

Section: PARTS
HYDRAULIC CYLINDER

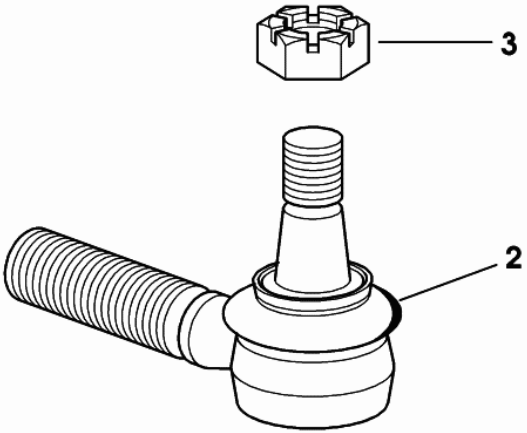
Fig.	Code	QTY	Name
1	0.255.6342.4/10	1	jack
2	0.261.6374.1	1	seal ring kit



0_255_6342_4_10

Section: PARTS
STEERING ROD - MECH. STEERING - TELESCOPIC AXLE

Fig.	Code	QTY	Name
1	0.010.0488.4/10	1	joint
2	0.900.0025.7	1	guard
3	0.900.0025.8	1	nut

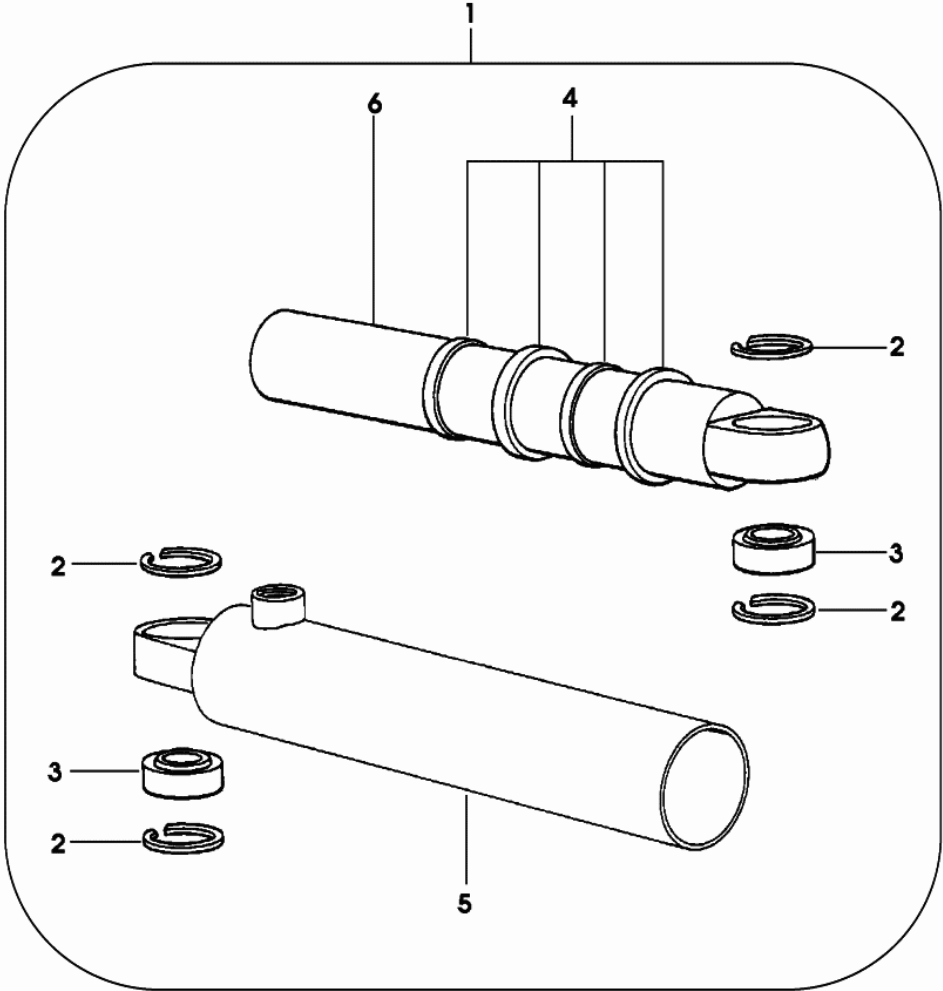


0_010_0488_4_10

Section: PARTS

4WD - POWER STEERING CYLINDER - COMPONENTS

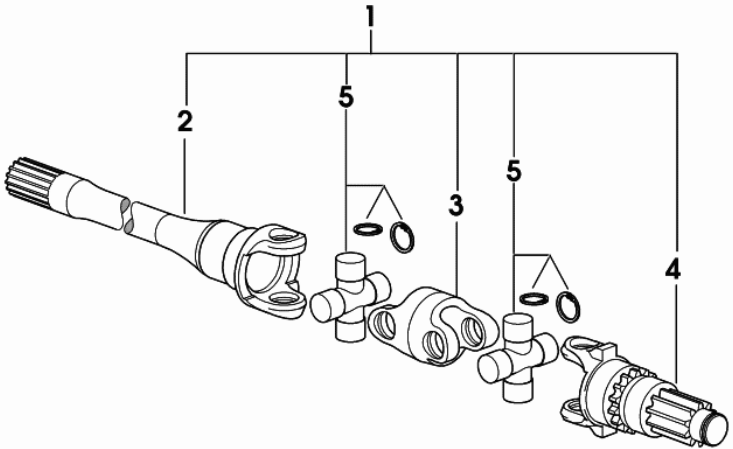
Fig.	Code	QTY	Name
1	0.448.6342.4	1	jack
2	2.1423.026.1	4	snoulder 35x1.5
3	0.176.6371.0	2	cap
4	0.273.6363.4/10	1	seal ring kit
5	0.000.0000.1	0	not serviceable
6	0.448.6350.1	1	stem



448_6342_4

Section: PARTS
4WD - AXLESHAFTS

Fig.	Code	QTY	Name
1	0.010.5413.4/10	1	half-shaft
2	0.010.2569.0	1	half-shaft
3	0.010.2569.1	1	fork
4	0.010.2569.2	1	half-shaft
5	0.010.2570.0	2	universal joint



010_5413_4_10_A

Section: PARTS
P.T.O. SHAFT

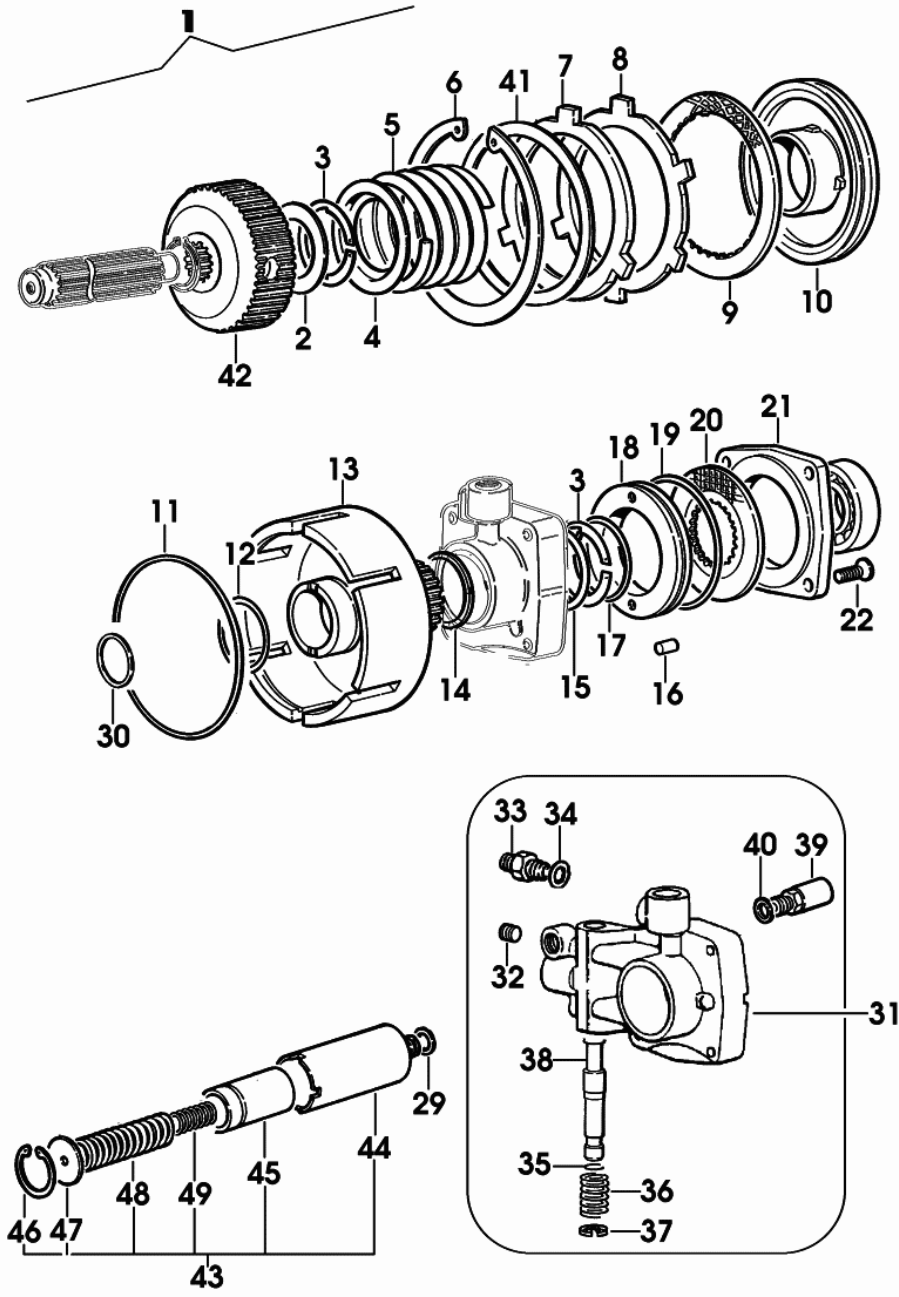


Fig.	Code	QTY	Name
1	0.010.9111.4/50	1	hydraulic pto clutch
2	2.1599.415.0	1	snoulder 35x52x1
3	2.1419.027.1	2	circlip 48
4	0.255.3933.0	1	disc
5	2.4019.373.1	1	spring 79.5x61.5x6.5
6	2.1419.035.1	1	circlip 127
7	0.255.3969.0/10	1	disc
8	0.013.9453.0	5	disc
9	0.255.3970.2	5	disc
10	0.255.3938.0/40	1	piston
11	2.1539.064.0	1	'o' ring 120.33x2.62
12	2.1539.067.0	1	'o' ring 44.12x2.72
13	0.008.4043.0/30	1	box
14	2.1569.109.0	3	gasket 46x50x2
15	2.1599.416.0	1	snoulder 50x58x1
16	2.1651.506.0	2	cylindrical plug 6x14
17	2.1532.133.0	1	'o' ring 53.64x2.62
18	0.255.3922.0/30	1	piston D 90
19	2.1532.503.0	1	'o' ring 82.14x2.62
20	0.014.0360.2	1	disc
21	0.255.3926.0/10	1	cover
22	2.0342.305.2	4	screw m 8 p.1.25x20
29	2.1560.010.0	1	gasket 14.2x20
30	2.1530.062.0	1	'o' ring 23.81x2.62
31	0.010.4838.6	1	distributor
32	2.0512.102.1	2	screw m 6 p.1x8
33	2.3339.453.2	1	pipe fitting m 12 p.1.25-1/2"
34	2.1560.008.0	1	gasket 12.2x18
35	2.1421.004.1	1	circlip b 12
36	2.4019.606.1	1	spring 14.4x73x0.9
37	0.445.3952.0	1	cup
38	0.010.8496.4	1	stem
39	0.009.2445.4/20	1	valve
40	2.1560.005.0	1	gasket 10.2x14
41	2.1599.499.0	1	snoulder 110x126.5x1.2
42	0.008.8806.0/20	1	hub
43	0.010.0526.4/10	1	accumulator
44	0.000.0000.1	0	not serviceable
45	0.010.0525.0	1	piston
46	2.1411.013.7	1	ring 32
47	2.1599.241.0	1	snoulder 6x31x2
48	2.4019.636.1	1	spring
49	2.4019.638.1	1	spring

0_010_9111_4_50

Section: PARTS
P.T.O. SHAFT

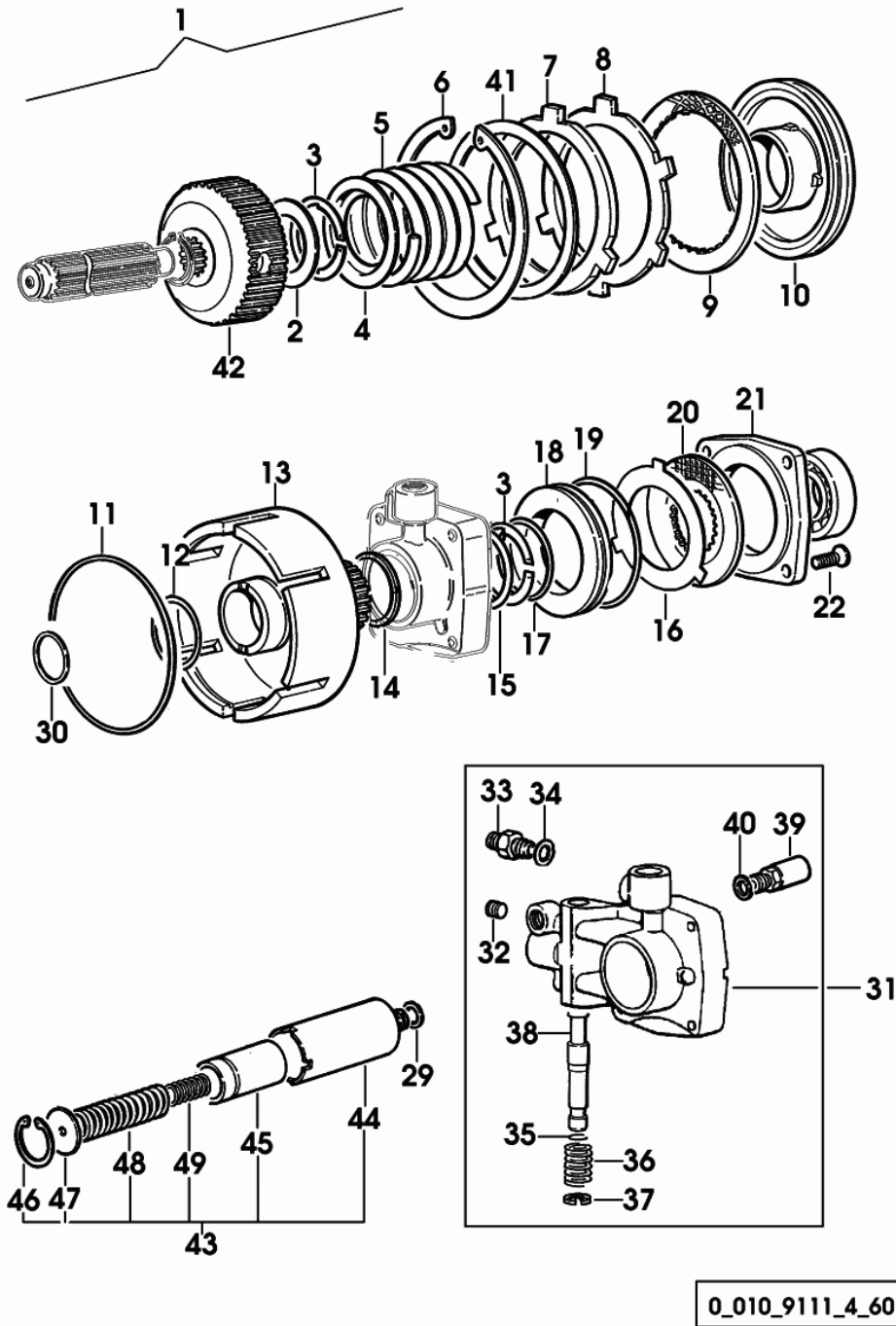
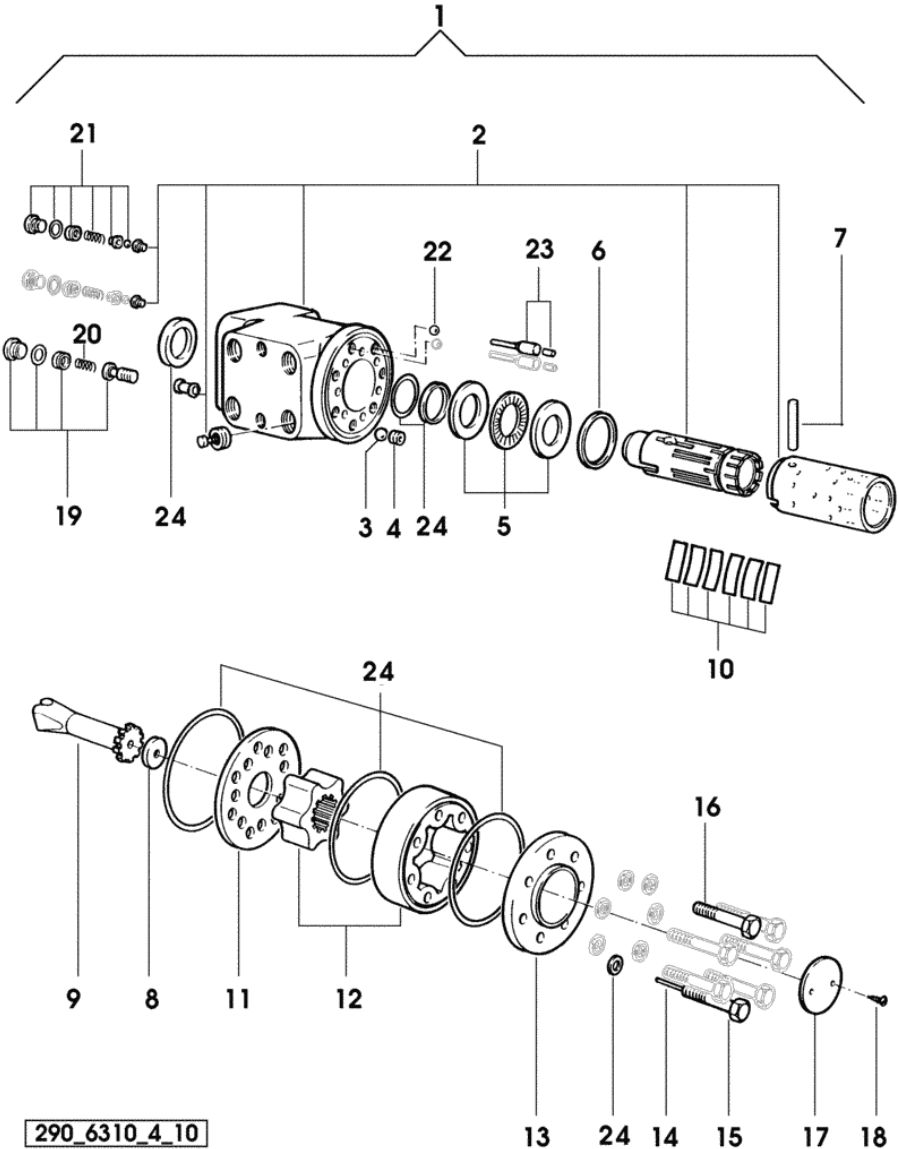


Fig.	Code	QTY	Name
1	0.010.9111.4/60	1	hydraulic pto clutch
2	2.1599.415.0	1	snoulder 35x52x1
3	2.1419.027.1	2	circlip 48
4	0.255.3933.0	1	disc
5	2.4019.373.1	1	spring 79.5x61.5x6.5
6	2.1419.035.1	1	circlip 127
7	0.255.3969.0/10	1	disc
8	0.013.9453.0	5	disc
9	0.255.3970.2	5	disc
10	0.255.3938.0/40	1	piston
11	2.1539.064.0	1	'o' ring 120.33x2.62
12	2.1539.067.0	1	'o' ring 44.12x2.72
13	0.008.4043.0/30	1	box
14	2.1569.109.0	3	gasket 46x50x2
15	2.1599.416.0	1	snoulder 50x58x1
16	0.013.8983.0	2	disc
17	2.1532.150.0	1	'o' ring 61.60x2.62
18	0.255.3922.0/40	1	piston D 84
19	2.1532.505.0	1	'o' ring 77.50x2.62
20	0.014.0360.2	1	disc
21	0.255.3926.0/10	1	cover
22	2.0342.305.2	4	screw m 8 p.1.25x20
29	2.1560.010.0	1	gasket 14.2x20
30	2.1530.062.0	1	'o' ring 23.81x2.62
31	0.010.4838.6	1	distributor
32	2.0512.102.1	2	screw m 6 p.1x8
33	2.3339.453.2	1	pipe fitting m 12 p.1.25-1/2"
34	2.1560.008.0	1	gasket 12.2x18
35	2.1421.004.1	1	circlip b 12
36	2.4019.606.1	1	spring 14.4x73x0.9
37	0.445.3952.0	1	cup
38	0.010.8496.4	1	stem
39	0.009.2445.4/20	1	valve
40	2.1560.005.0	1	gasket 10.2x14
41	2.1599.499.0	1	snoulder 110x126.5x1.2
42	0.008.8806.0/20	1	hub
43	0.010.0526.4/10	1	accumulator
44	0.000.0000.1	0	not serviceable
45	0.010.0525.0	1	piston
46	2.1411.013.7	1	ring 32
47	2.1599.241.0	1	snoulder 6x31x2
48	2.4019.636.1	1	spring
49	2.4019.638.1	1	spring

0_010_9111_4_60

Section: PARTS
HYDR. STEERING DISTRIBUTOR PARTS

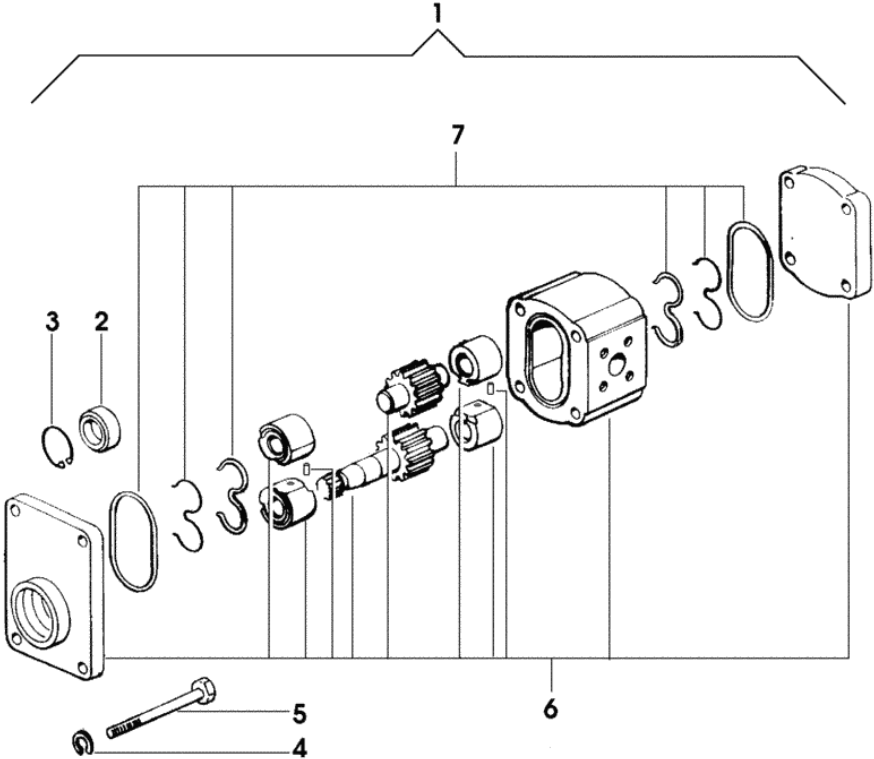
Fig.	Code	QTY	Name
1	0.290.6310.4/10	1	hydrosteering DANFOSS - 80 CC
2	0.000.0000.1	0	not serviceable
3	0.009.4012.1	1	ball mm 8.5
4	0.009.4014.1	1	plug
5	0.193.6378.0	1	roller bearing
6	0.009.4015.1	1	ring
7	0.009.4016.1	1	pin
8	0.009.4017.1	1	spacer
9	0.000.0000.1	0	not serviceable
10	0.009.4021.1	1	spring
11	0.009.4022.1	1	plate
12	0.009.4872.0	1	rotor w = 10.4
13	0.009.4024.1	1	cover
14	0.009.4025.1	1	pin
15	0.009.4026.1	1	screw L = 63
16	0.009.4027.1	6	screw L = 35
17	0.009.4028.1	1	small disc
18	0.009.4029.1	2	screw
19	0.009.4030.1	1	valve
20	0.290.6374.1	1	spring 110-155 bar
21	0.193.6380.4	2	valve
22	0.009.4019.1	2	ball mm 3
23	0.009.4020.1	2	pin
24	0.003.5059.3	1	seal ring kit



290_6310_4_10

Section: PARTS
HYDRAULIC PUMP PARTS

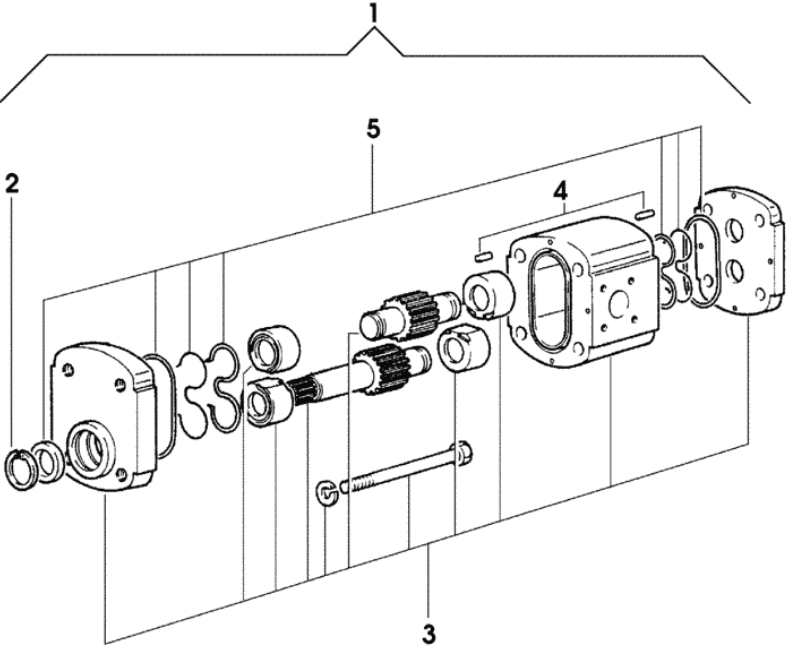
Fig.	Code	QTY	Name
1	2.4529.950.0	1	hydraulic pump - BOSCH -
2	0.009.4046.1	1	'o' ring
3	2.1411.012.1	1	circlip 30x1.2
4	0.000.0000.1	0	not serviceable
5	0.000.0000.1	0	not serviceable
6	0.000.0000.1	0	not serviceable
7	2.4529.330.1/10	0	seal ring kit



2_4529_950_0

Section: PARTS
HYDRAULIC PUMP PARTS

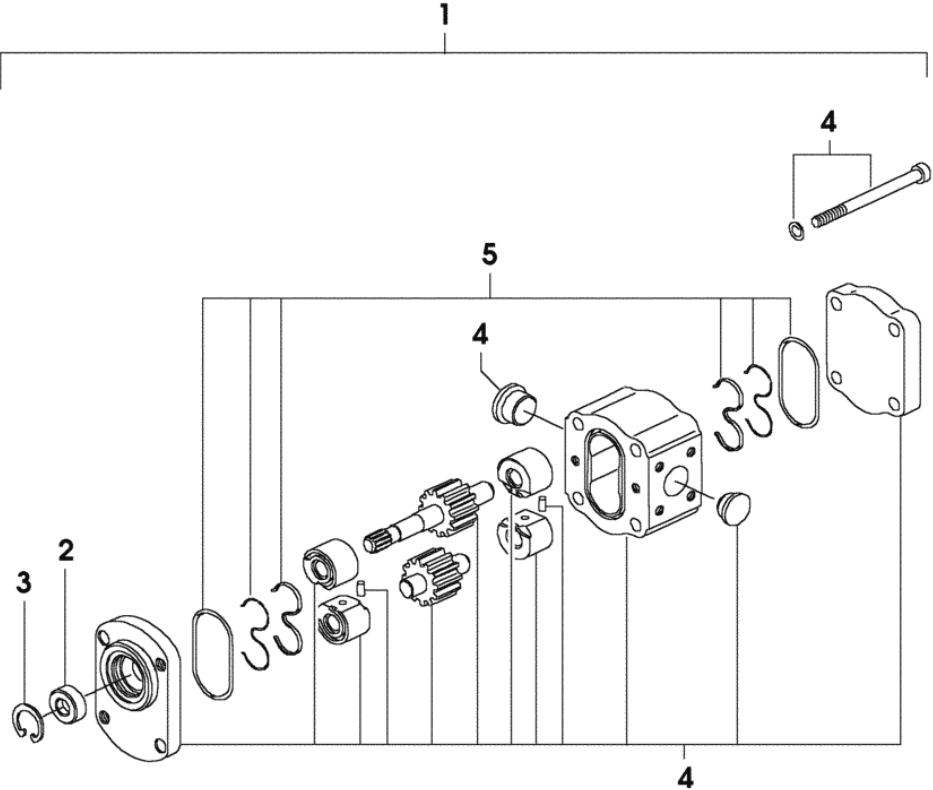
Fig.	Code	QTY	Name
1	2.4529.960.0	1	hydraulic pump - SAUER - - TUROLLA -
2	0.009.4129.1	1	circlip
3	0.000.0000.1	0	not serviceable
4	0.009.4130.1	4	roller
5	0.009.4128.1	1	seal ring kit



2_4529_960_0

Section: PARTS
PUMP-COMPONENTS

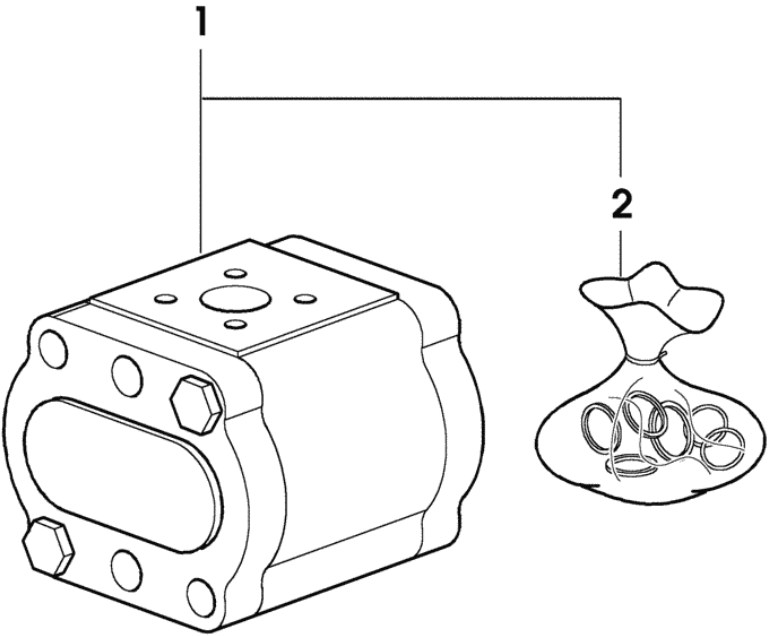
Fig.	Code	QTY	Name
1	2.4539.560.0	1	hydraulic pump - BOSCH -
2	0.009.4046.1	1	'o' ring
3	2.1411.012.1	1	circlip 30x1.2
4	0.000.0000.1	0	not serviceable
5	2.4529.330.1/10	1	seal ring kit



2_4539_560_0

Section: PARTS
HYDRAULIC PUMP PARTS

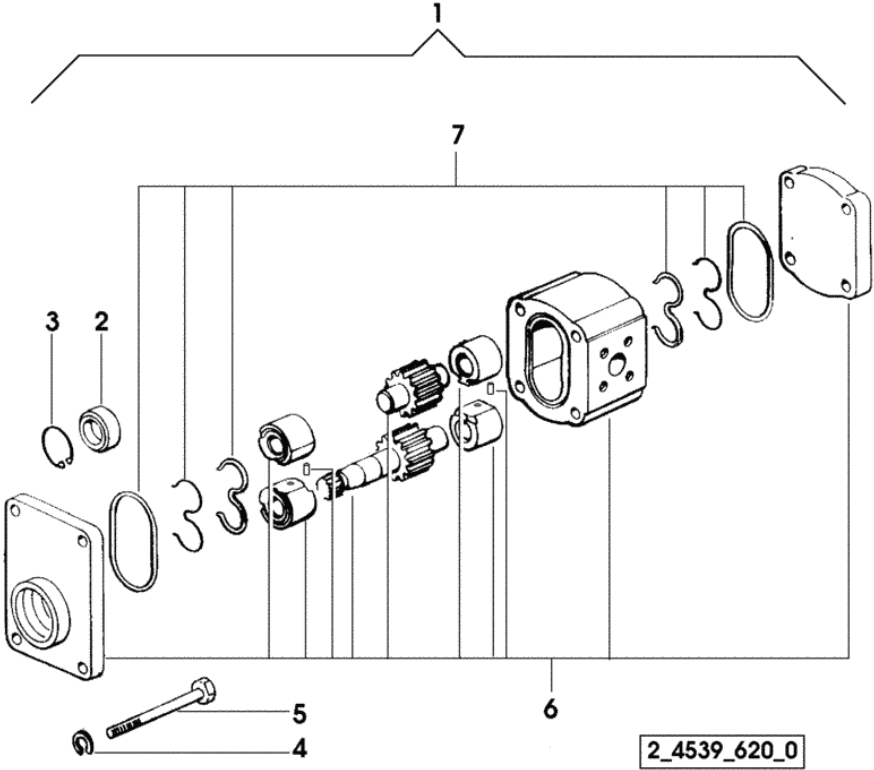
Fig.	Code	QTY	Name
1	2.4539.570.0	1	pump - SAUER -
2	0.009.4128.1	1	seal ring kit



2_4539_570_0

Section: PARTS
HYDRAULIC PUMP PARTS

Fig.	Code	QTY	Name
1	2.4539.620.0	1	pump 22.5 cc - BOSCH
2	0.009.4046.1	1	'o' ring
3	2.1411.012.1	1	circlip 30x1.2
4	0.000.0000.1	0	not serviceable
5	0.000.0000.1	0	not serviceable
6	0.000.0000.1	0	not serviceable
7	2.4529.330.1/10	1	seal ring kit



Section: PARTS
REDUCE AND OLD VALVE

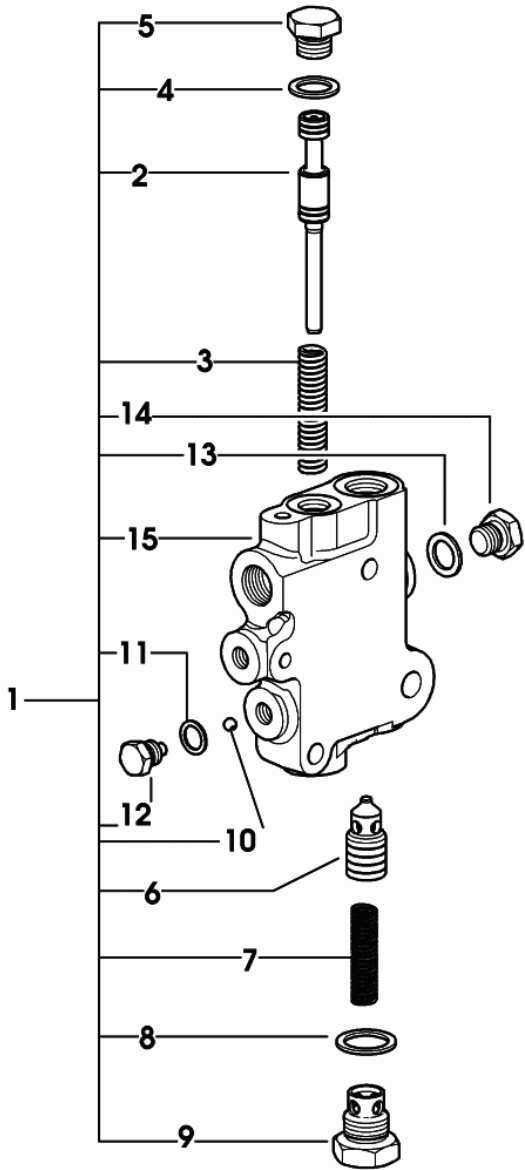


Fig.	Code	QTY	Name
1	0.009.3456.4/80	1	valve body
2	0.012.8814.0	1	slider
3	2.4019.431.1/30	1	spring 6.9x11.3x2.2x64
4	2.1560.010.0	1	gasket 14.2x20
5	2.3110.403.1	1	plug m 14 p.1.5
6	0.008.3365.0/10	1	valve
7	0.008.3371.0	1	spring
8	2.1560.014.0	1	gasket 18.2x24x1.5
9	2.3199.251.2/10	1	plug
10	2.2810.002.0	2	ball mm 6.350
11	2.1560.005.0	2	gasket 10.2x14
12	2.3199.252.2	2	plug m 10 p.1.5
13	2.1560.008.0	1	gasket 12.2x18
14	2.3110.422.1	1	plug m 12 p.1.25x10
15	0.000.0000.1	-	not serviceable

Section: PARTS

REDUCE AND OLD VALVE

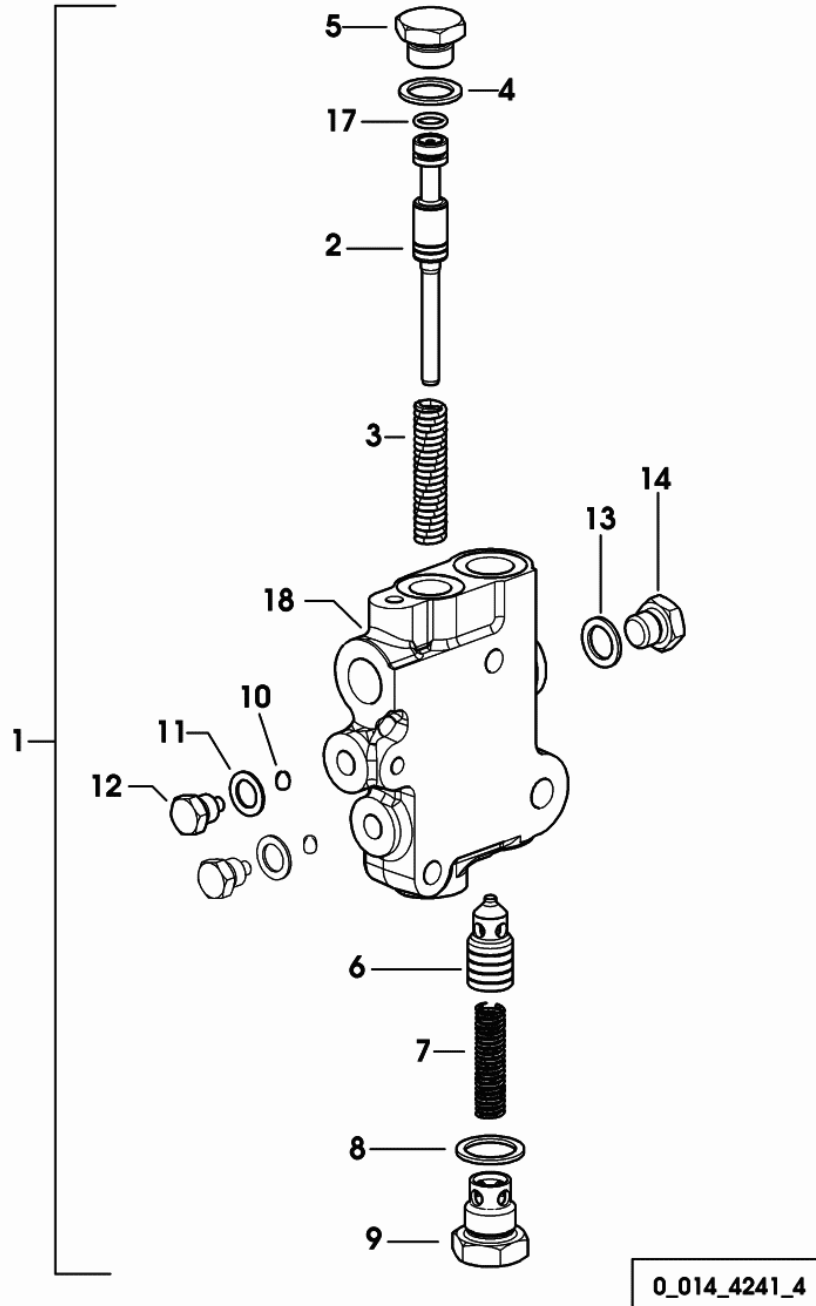
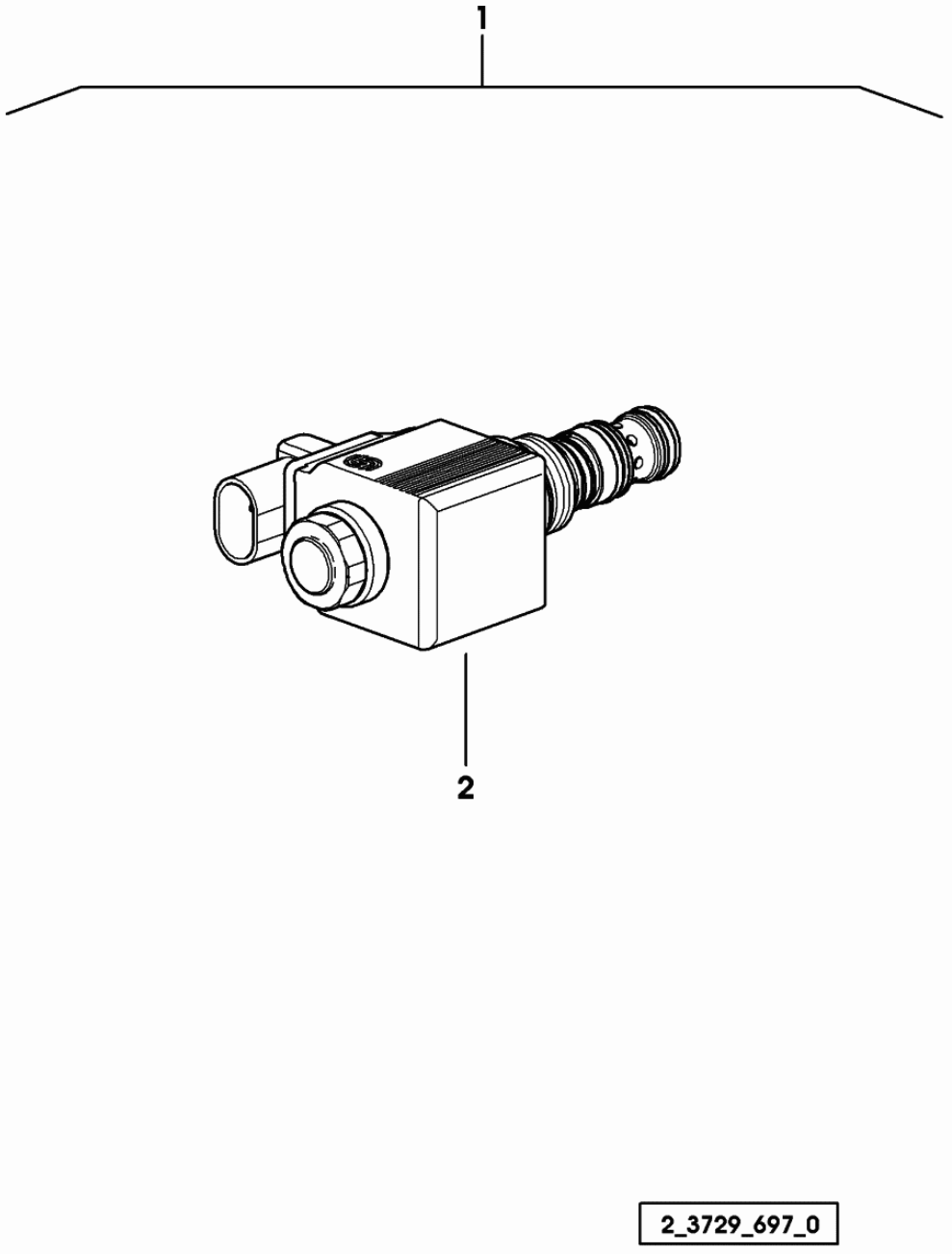


Fig.	Code	QTY	Name
1	0.014.4241.4	1	valve body
2	0.013.6733.0	1	slider
3	2.4019.431.1/30	1	spring 6.9x11.3x2.2x64
4	2.1560.012.0	1	gasket 16.2x22
5	2.3110.404.2	1	plug m 16 p.1.5
6	0.008.3365.0/10	1	valve
7	0.008.3371.0	1	spring
8	2.1560.014.0	1	gasket 18.2x24x1.5
9	2.3199.251.2/10	1	plug
10	2.2810.002.0	2	ball mm 6.350
11	2.1560.006.0	2	gasket 10.5
12	2.3199.252.2	2	plug m 10 p.1.5
13	2.1560.008.0	1	gasket 12.2x18
14	2.3110.422.2	1	plug m 12
17	2.1531.016.0	1	'o' ring 8.74x1.78
18	0.000.0000.1	-	not serviceable

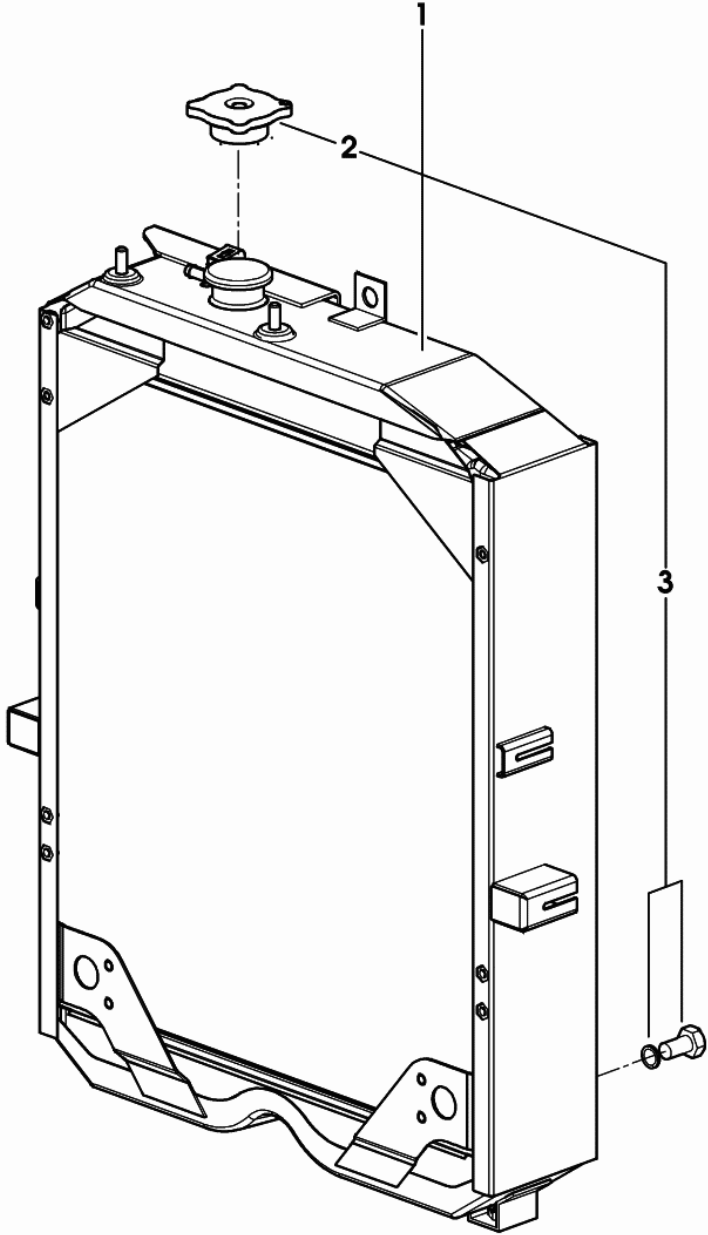
Section: PARTS
SOLENOID VALVE

Fig.	Code	QTY	Name
1	2.3729.697.0	1	electro valve 13V - 20W
2	0.010.2831.1	1	coil 13V - 20W



Section: PARTS
WATER COOLER

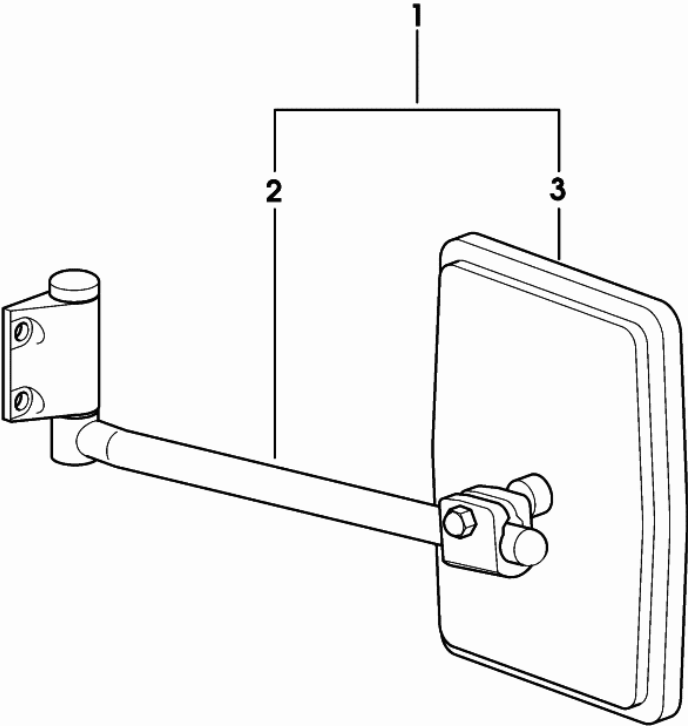
Fig.	Code	QTY	Name
1	0.013.3793.4/20	1	water cooler
2	0.900.0065.5	1	plug
3	0.000.0000.1	0	not serviceable



0_013_3793_4_20

Section: PARTS
REARVIEW MIRROR

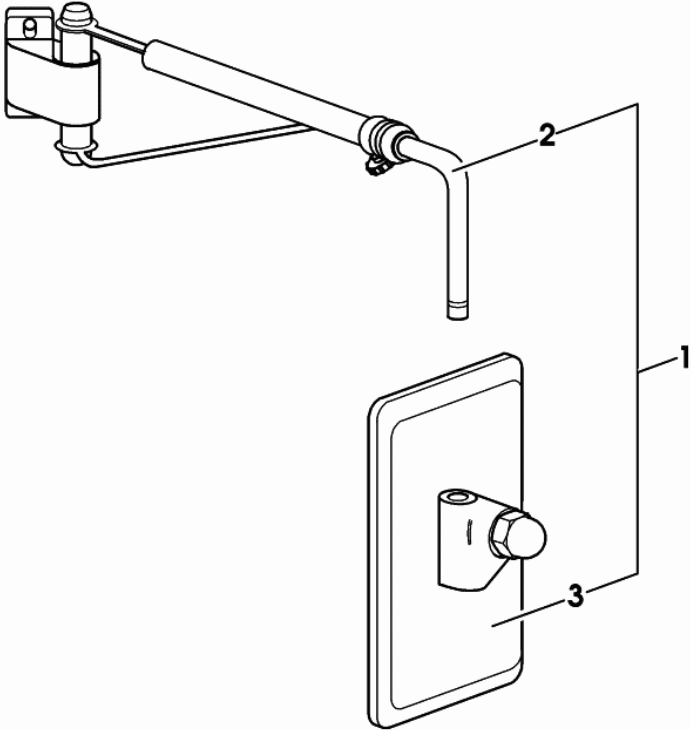
Fig.	Code	QTY	Name
1	0.9234.147.4/10	1	rear view mirror dx
2	0.010.3564.2	1	rod
3	0.9233.183.3	1	rear view mirror



0.9234.147.4/10

Section: PARTS
REARVIEW MIRROR

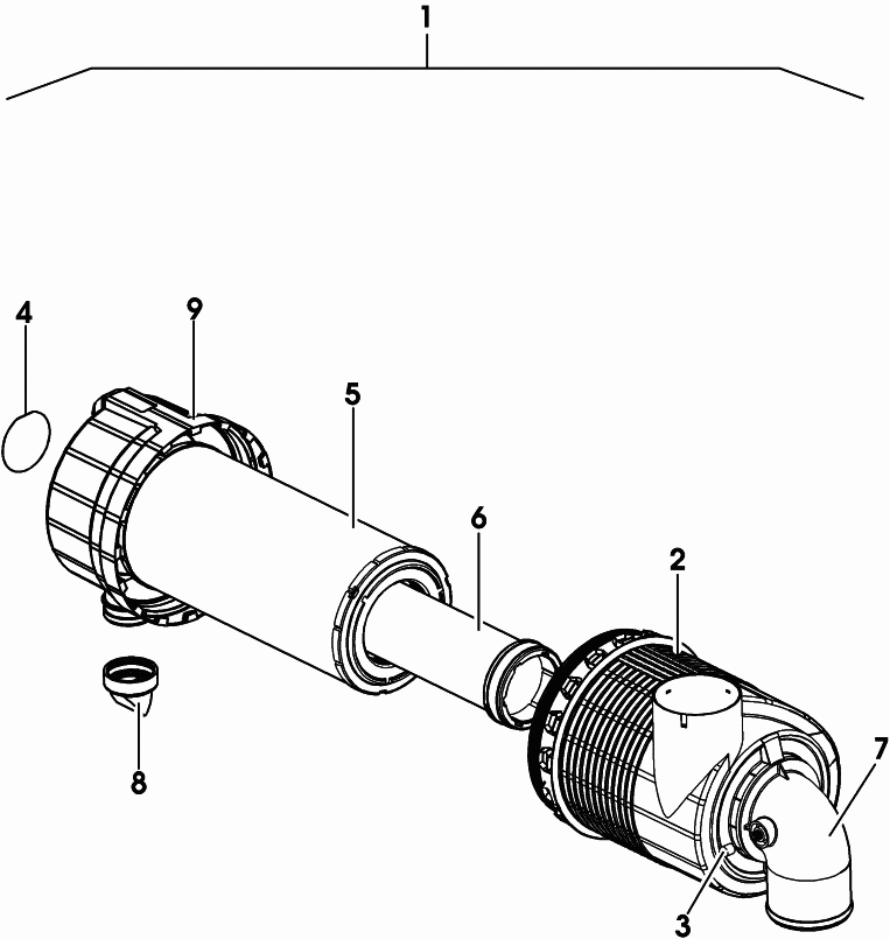
Fig.	Code	QTY	Name
1	0.010.1604.4/40	1	rear view mirror sx
2	0.010.3096.2	1	rod
3	0.9233.183.3	1	rear view mirror



0_010_1604_4_40

Section: PARTS
AIR FILTER

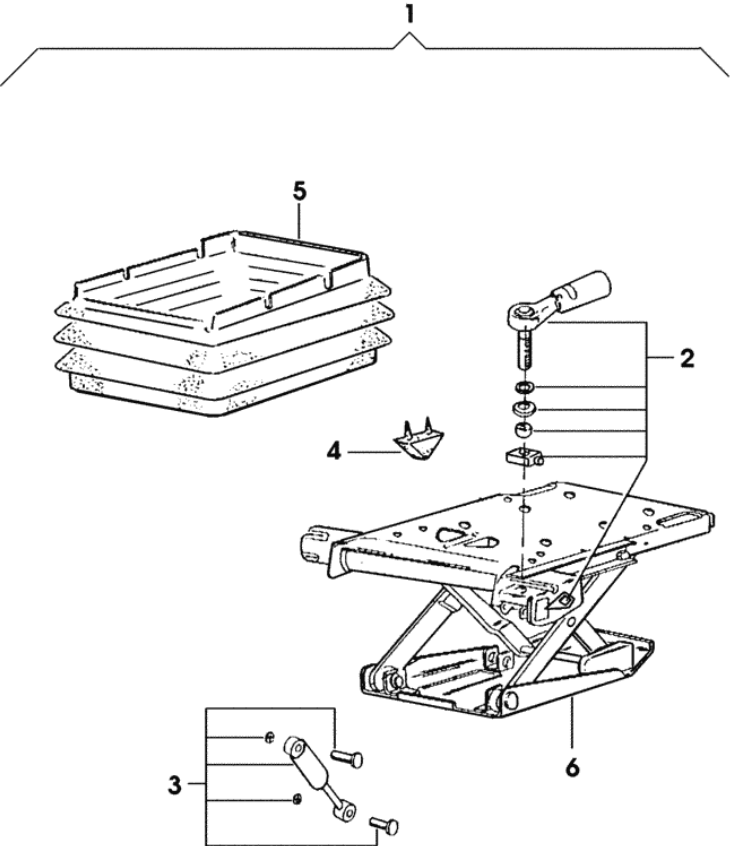
Fig.	Code	QTY	Name
1	2.4249.715.0	1	air filter
2	0.900.0300.7	1	body
3	0.900.0300.8	1	cap
4	0.900.0300.9	1	plate
5	0.900.0301.0	1	air filter element
6	0.900.0301.1	1	air filter element
7	0.900.0301.2	1	tube
8	0.009.4109.0	1	valve
9	0.900.0301.3	1	cover



2_4249_715_0

Section: PARTS
SEAT SPRINGING

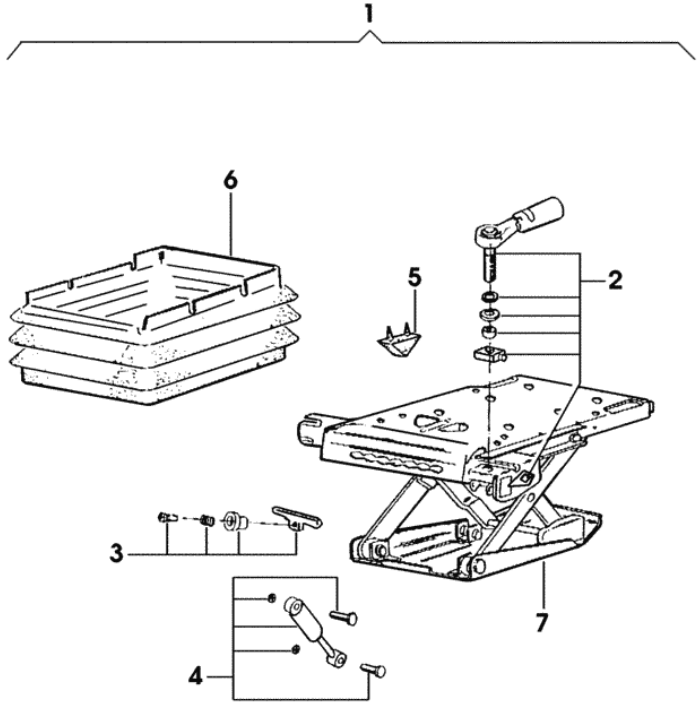
Fig.	Code	QTY	Name
1	0.010.5357.4	1	seat springs
2	0.010.2228.0	1	handle
3	0.010.2228.2	1	shoch.absorber
4	0.010.2229.0	1	stopper
5	0.010.2229.1	1	guard
6	0.000.0000.1	0	not serviceable



010_5357_4

Section: PARTS
SEAT SPRINGING

Fig.	Code	QTY	Name
1	0.010.5356.4	1	seat springs
2	0.010.2228.0	1	handle
3	0.010.2228.1	1	accessories
4	0.010.2228.2	1	shoch.absorber
5	0.010.2229.0	1	stopper
6	0.010.2229.1	1	guard
7	0.000.0000.1	0	not serviceable



010_5356_4

Section: PARTS
SEAT-COMPONENTS

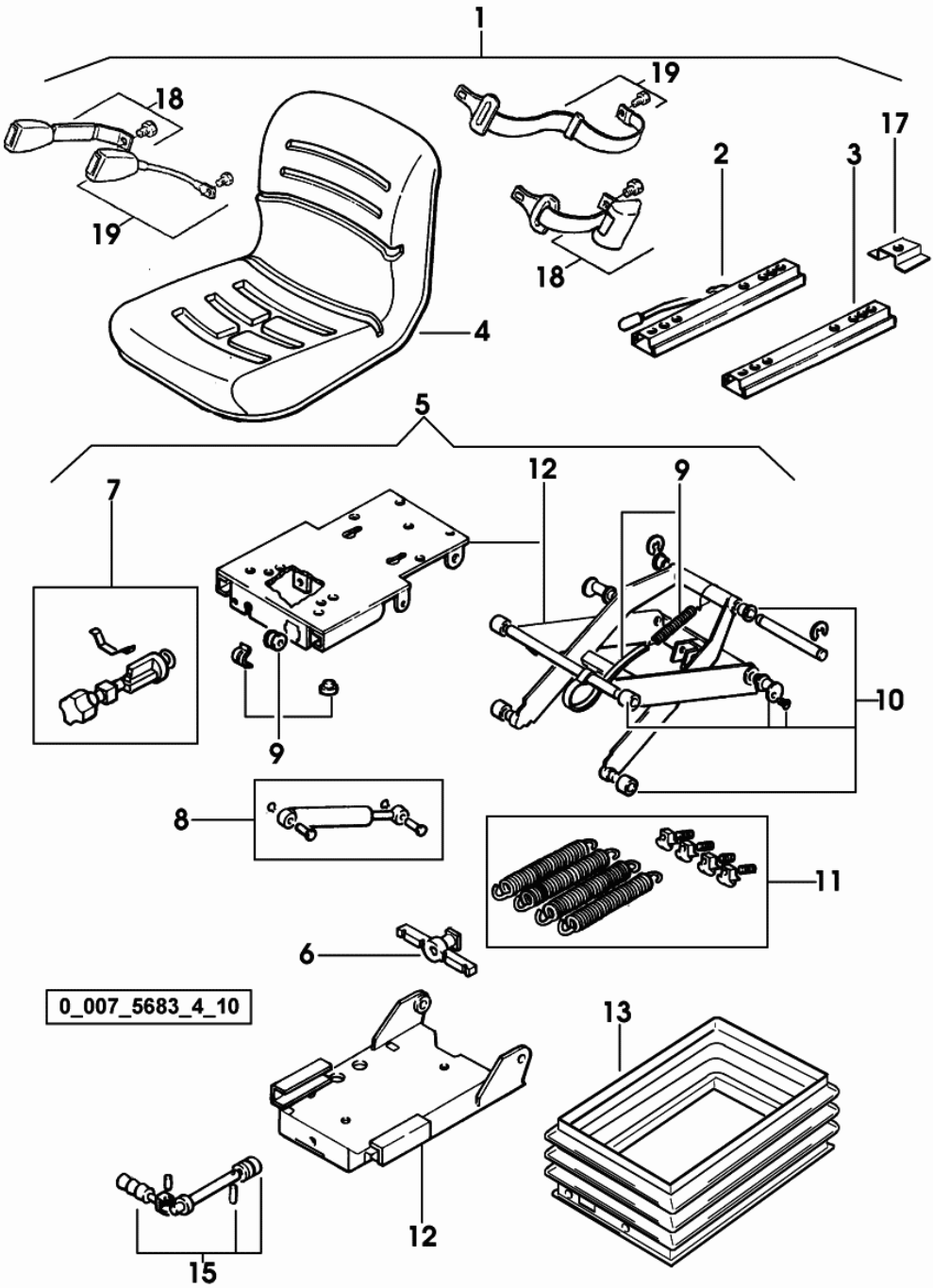
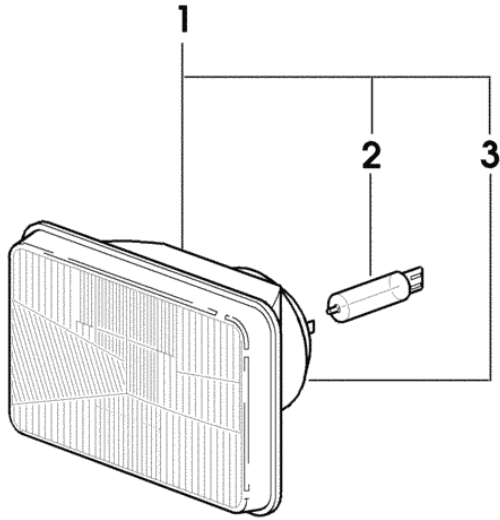


Fig.	Code	QTY	Name
1	0.007.5683.4/10	1	seat GRAMMER MSG 83/7L
2	0.009.4001.1	1	guide
3	0.009.4002.1	1	guide
4	0.009.4013.1	1	seat
5	0.008.3584.3	1	seat springs
6	0.009.4495.1	1	bracket
7	0.009.4008.1	1	knob
8	0.009.4009.1	1	shoch.absorber
9	0.009.4010.1	1	regulator
10	0.009.4011.1	1	pin
11	0.257.7561.1	1	guide
12	0.000.0000.1	0	not serviceable
13	0.009.4147.1	1	guard
15	0.010.2964.0	1	register
17	0.009.4000.1	1	bracket
18	0.012.6587.4	1	safety belt
19	0.012.6586.4	1	safety belt

Section: PARTS

HEADLAMP COMPONENTS

Fig.	Code	QTY	Name
1	2.8029.770.0/30	1	lamp
2	0.010.2251.0	1	lamp 60/55W - HALOGEN -
3	0.009.4107.0	1	guard

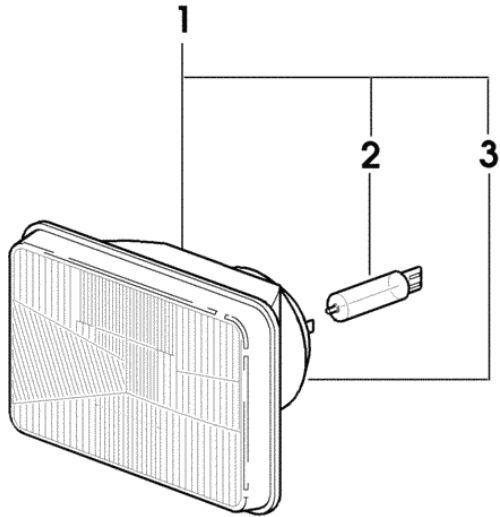


2_8029_770_0_30

Section: PARTS

HEADLAMP COMPONENTS

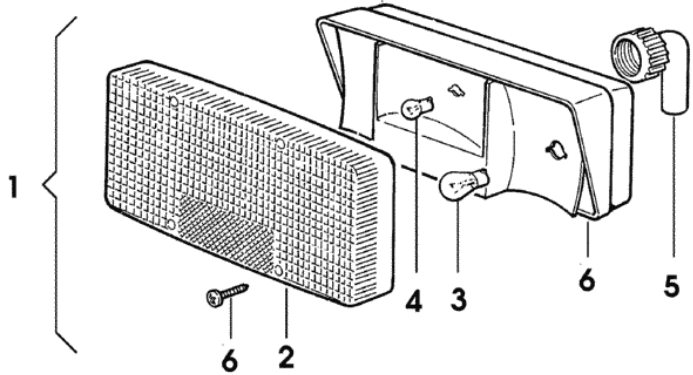
Fig.	Code	QTY	Name
1	2.8029.760.0/30	1	lamp
2	0.010.2251.0	1	lamp 60/55W - HALOGEN -
3	0.009.4107.0	1	guard



2_8029_760_0_30

Section: PARTS
HEADLAMP COMPONENTS

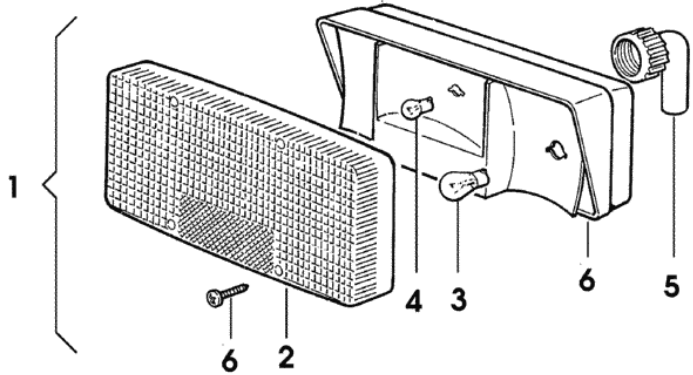
Fig.	Code	QTY	Name
1	2.8059.090.0	1	side lamp dx
2	2.8059.090.1	1	light body dx
3	2.8313.001.0	2	lamp 12V 21W
4	2.8319.004.0	1	lamp
5	2.8019.480.2	1	cap
6	0.000.0000.1	0	not serviceable



2_8059_090_0

Section: PARTS
HEADLAMP COMPONENTS

Fig.	Code	QTY	Name
1	2.8059.080.0	1	side lamp sx
2	2.8059.080.1	1	light body sx
3	2.8313.001.0	2	lamp 12V 21W
4	2.8319.004.0	1	lamp
5	2.8019.480.2	1	cap
6	0.000.0000.1	0	not serviceable



2_8059_080_0

Section: PARTS

HEADLAMP COMPONENTS

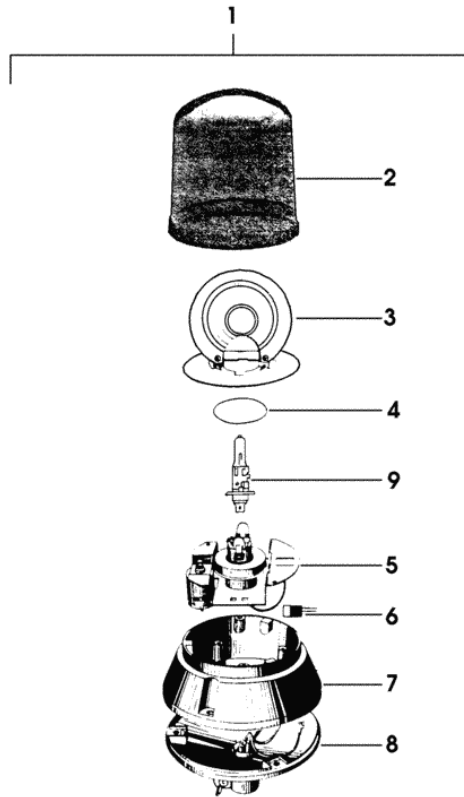
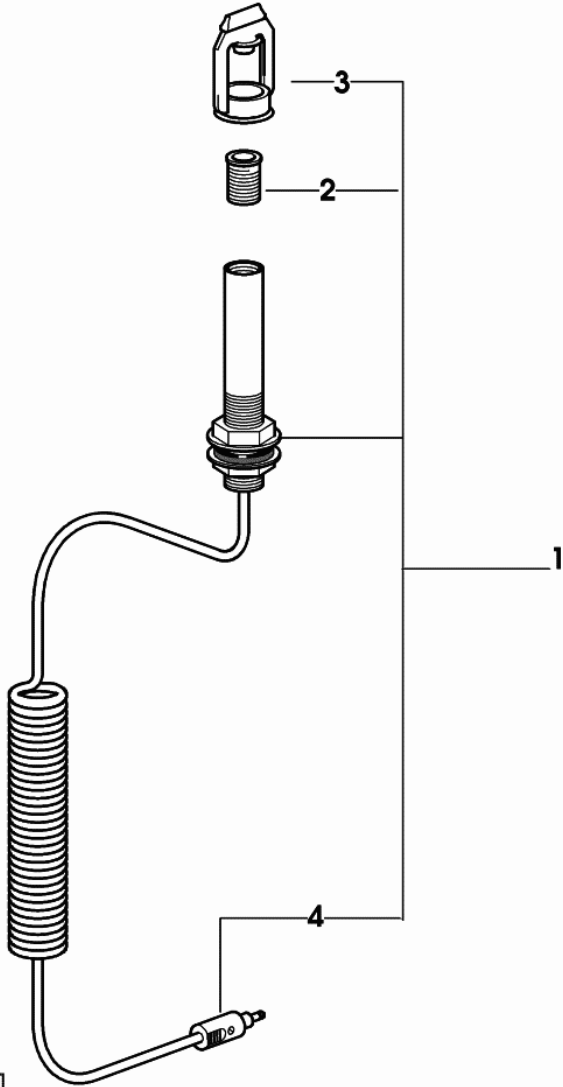


Fig.	Code	QTY	Name
1	0.009.6758.4/10	1	headlight
2	0.010.2846.0	1	light body
3	0.010.2846.1	1	headlamp reflector
4	0.010.2846.2	1	ring
5	0.010.2847.0	1	support
6	0.010.2847.1	1	cab. terminals
7	0.010.2847.2	1	frame
8	0.010.2848.0	1	support
9	0.010.2848.1	1	lamp 12V-55W-HALOGEN

Section: PARTS
FLASHING LIGHT SUPPORT

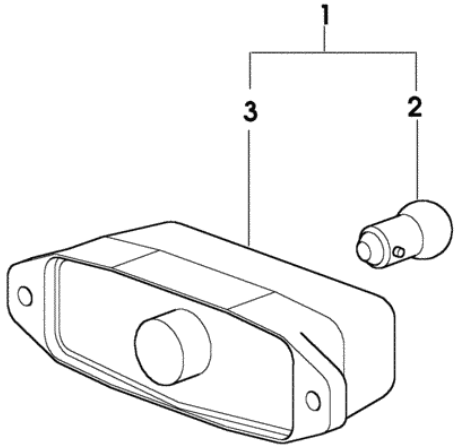
Fig.	Code	QTY	Name
1	0.011.7840.4	1	support
2	0.010.3304.0	1	coupling
3	0.009.6650.0	1	cap
4	0.010.3304.2	1	piston pin



0_011_7840_4

Section: PARTS
HEADLAMP COMPONENTS

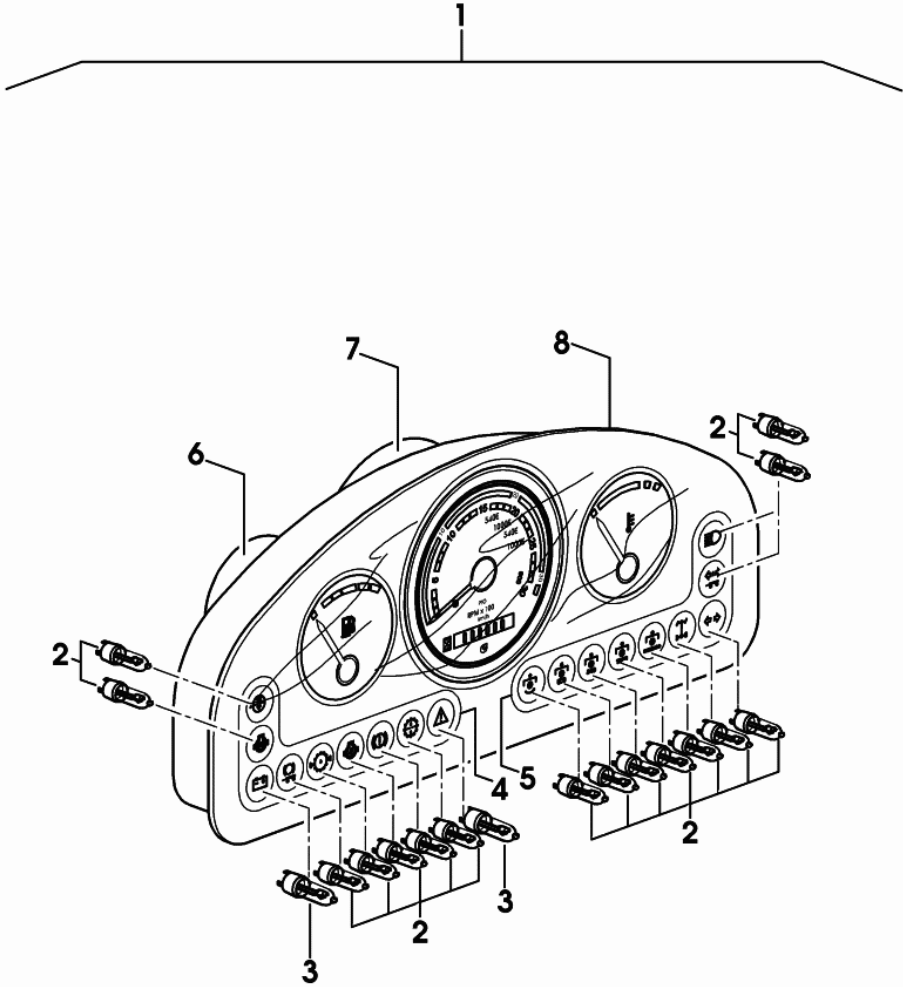
Fig.	Code	QTY	Name
1	2.8029.240.0/10	1	side lamp
2	2.8313.005.0	1	lamp 12V-5W
3	0.000.0000.1	0	not serviceable



2_8029_240_0_10

Section: PARTS
ELECTRIC REV-HOUR RECORDER TACHOMETER

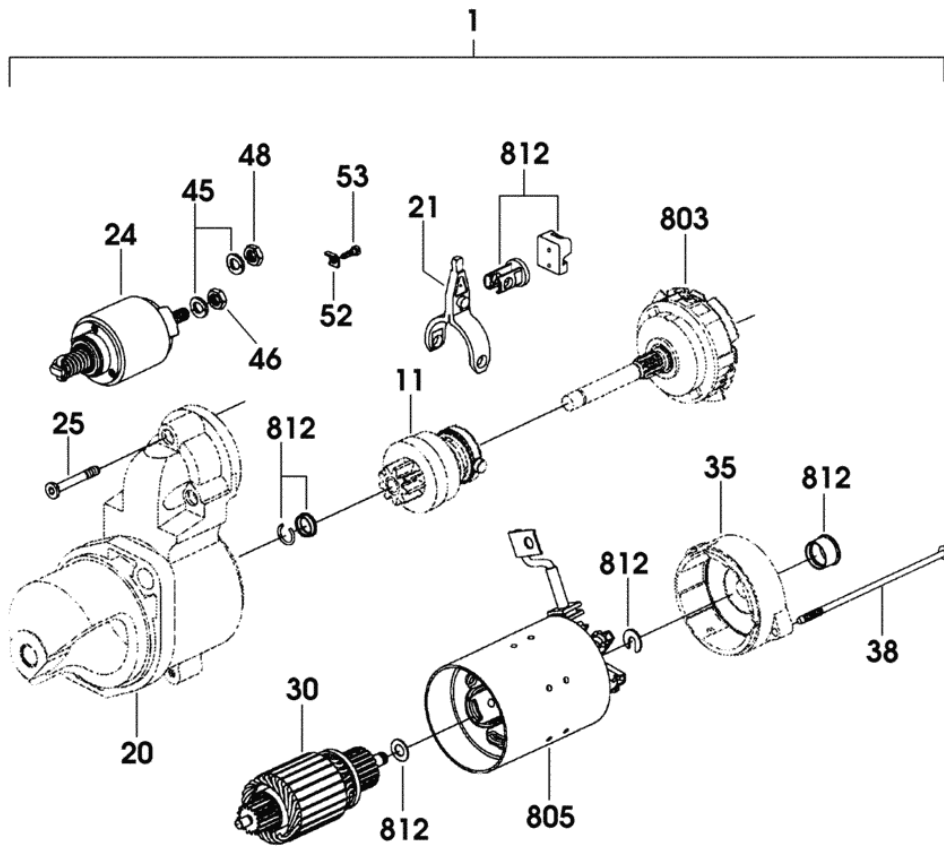
Fig.	Code	QTY	Name
1	2.8339.073.0	1	multimeter
2	0.010.3604.1	16	lamp 12V - 1W
3	0.900.0387.2	2	lamp 12V - 3W
4	0.900.0386.5	1	instrument holder dx
5	0.900.0386.6	1	instrument holder sx
6	0.900.0386.7	1	level indicator
7	0.900.0386.9	1	multimeter
8	0.900.0386.8	1	tempe guage



2_8339_073_0

Section: PARTS
STARTER PARTS

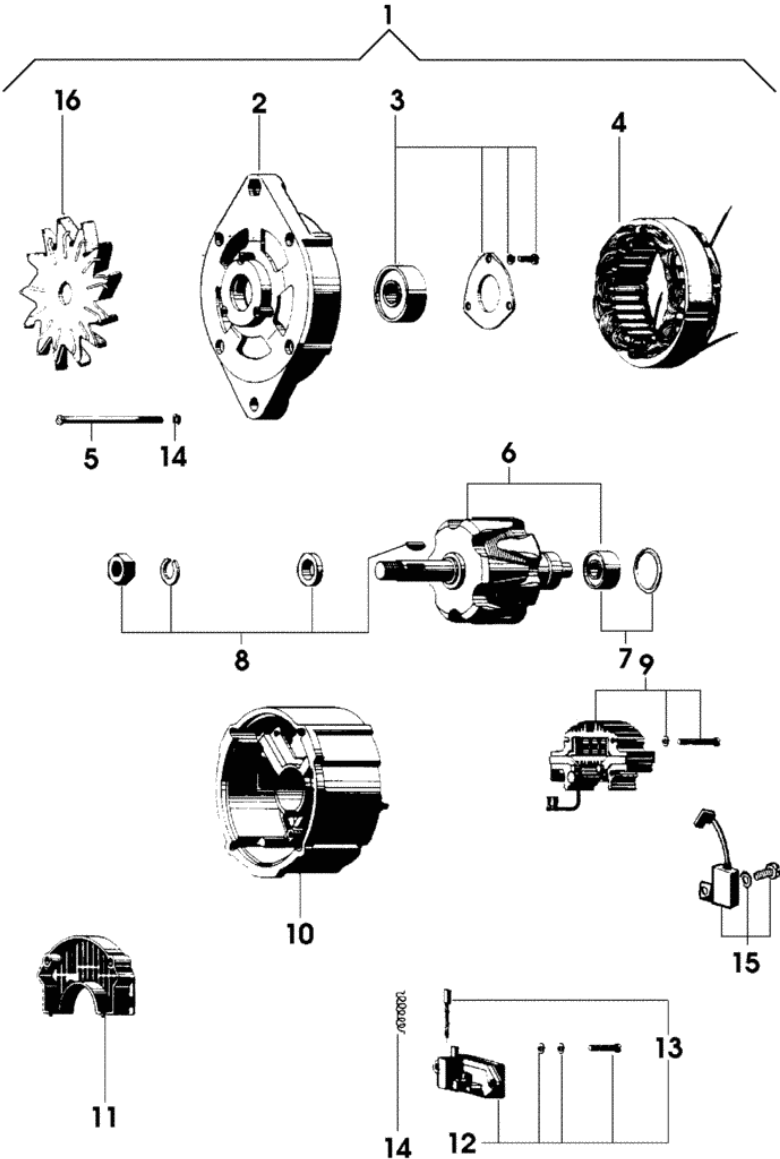
Fig.	Code	QTY	Name
1	2.9619.390.0	1	starter motor BOSCH 3 KW
11	0.010.3566.1	1	pinion
20	0.010.3566.0	1	support
21	0.010.3566.2	1	lever
24	0.010.3567.0	1	switch
25	0.010.3567.1	3	screw
30	0.010.3567.2	1	armature
35	0.010.3568.0	1	support
38	0.010.3568.1	2	screw
45	0.000.0000.1	-	not serviceable
46	0.000.0000.1	0	not serviceable
48	0.000.0000.1	0	not serviceable
52	2.9619.090.6	1	small plate
53	0.010.3569.0	1	screw
803	0.010.3569.1	1	gear
805	0.010.3569.2	1	brush holder
812	0.010.3570.0	1	accessories



2_9619_390_0

Section: PARTS
ALTERNATOR PARTS

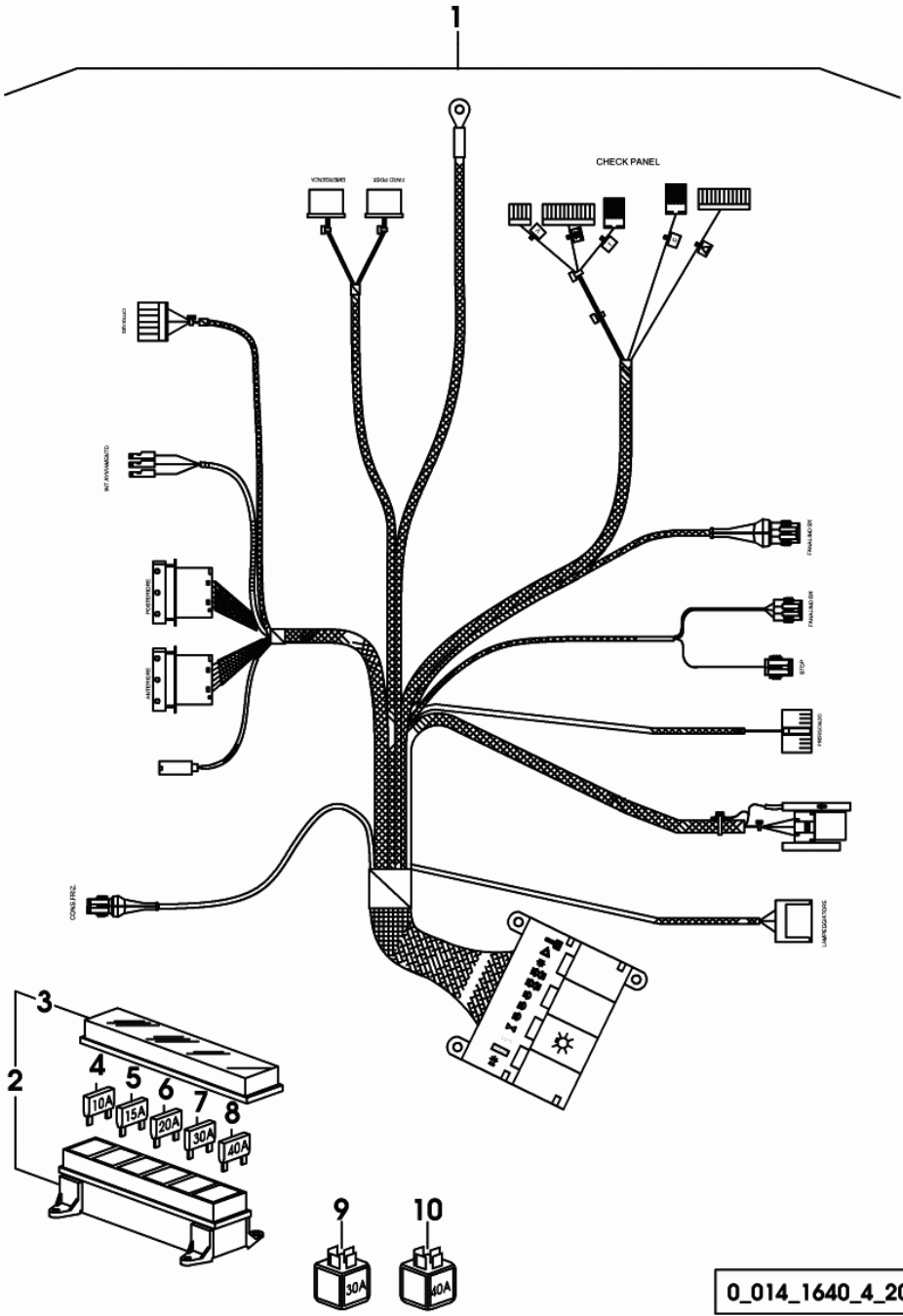
Fig.	Code	QTY	Name
1	2.9439.420.0/10	1	alternator 14V - 65A - ISKRA
2	0.009.4331.1	1	cover
3	0.010.2066.1	1	bearing
4	0.010.2066.2	1	field winding
5	0.010.2231.0	4	screw
6	0.010.2084.0	1	rotor
7	0.010.2067.2	1	bearing
8	0.010.2068.0	1	repair seal set
9	0.009.4881.0	1	rectifier
10	0.010.2068.1	1	cover
11	0.010.2231.1	1	guard
12	0.009.4335.0	1	regulator
13	0.009.4335.1	2	brush set
14	0.000.0000.1	0	not serviceable
15	0.010.2068.2	1	condenser
16	0.009.4331.0	1	rotor blade



2_9439_420_0_10

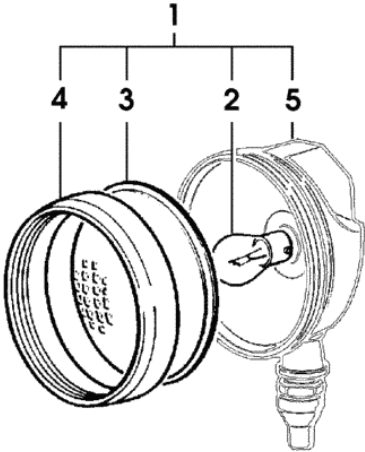
Section: PARTS
ELECTRICAL SYSTEM

Fig.	Code	QTY	Name
1	0.014.1640.4/20	1	electrical system
2	0.000.0000.1	0	not serviceable
3	0.900.0382.1	1	cover
4	0.010.2087.2	8	fuse 10A
5	0.010.2088.0	2	fuse 15A
6	0.010.2088.1	1	fuse 20A
7	0.010.2088.2	1	fuse 30A
8	0.010.2089.1	1	fuse 40A
9	0.010.2089.2	3	relay 12V - 30A
10	2.7659.101.0	1	relay 12V-40A



Section: PARTS
HEADLAMP COMPONENTS

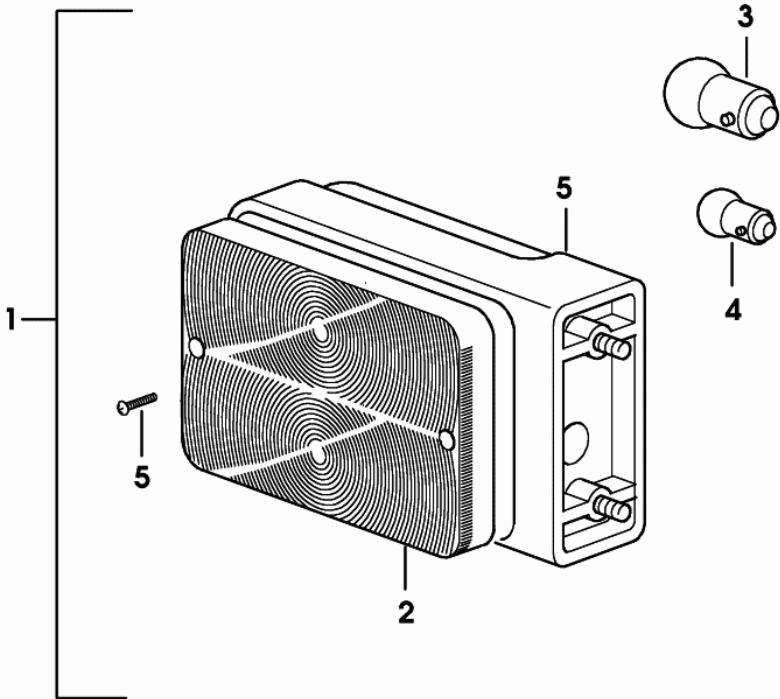
Fig.	Code	QTY	Name
1	2.8029.300.0	1	headlight
2	2.8210.004.0	1	lamp 12V-35W
3	2.8029.120.1	1	window glass
4	2.8029.120.2	1	gasket
5	0.000.0000.1	0	not serviceable



2_8029_300_0

Section: PARTS
HEADLAMP COMPONENTS

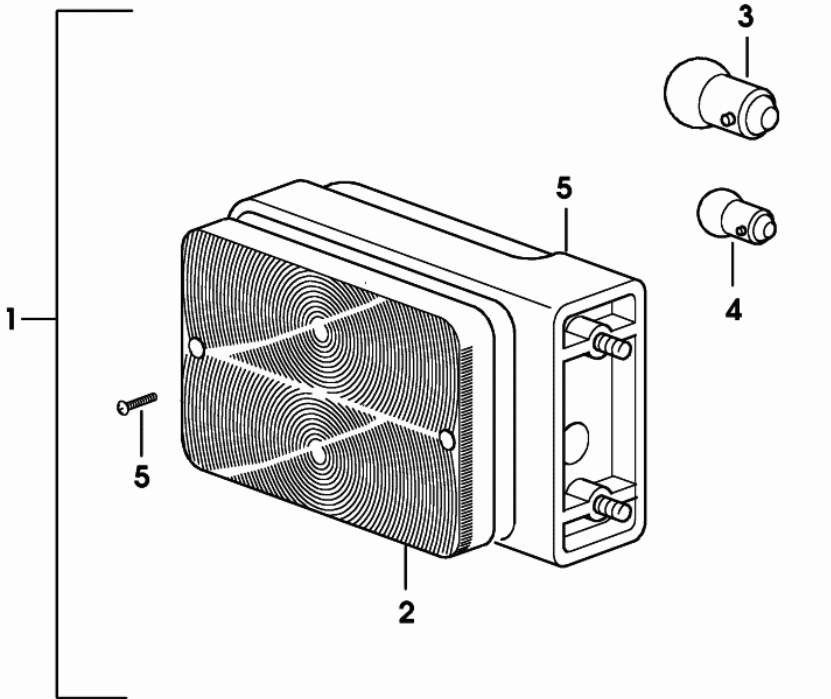
Fig.	Code	QTY	Name
1	2.8019.960.0	1	side lamp sx
2	2.8019.200.1	1	glass
3	2.8313.001.0	1	lamp 12V 21W
4	2.8311.005.0	1	lamp 12V-5W
5	0.000.0000.1	0	not serviceable



2_8019_960_0

Section: PARTS
HEADLAMP COMPONENTS

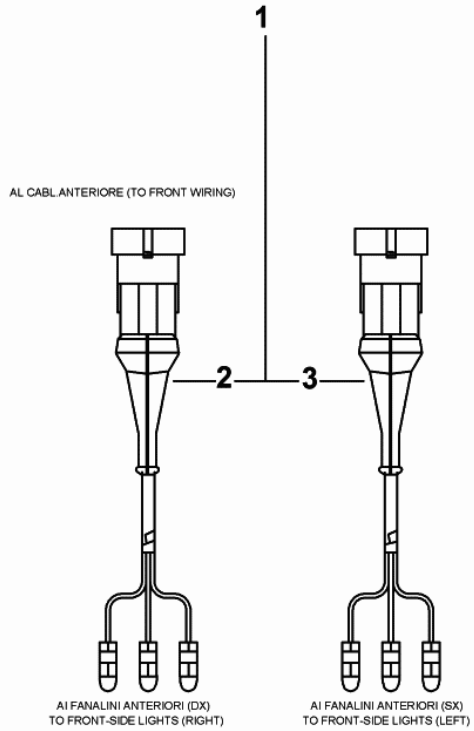
Fig.	Code	QTY	Name
1	2.8019.970.0	1	side lamp dx
2	2.8019.200.1	1	glass
3	2.8313.001.0	1	lamp 12V 21W
4	2.8311.005.0	1	lamp 12V-5W
5	0.000.0000.1	0	not serviceable



2_8019_970_0

Section: PARTS
ELECTRICAL SYSTEM

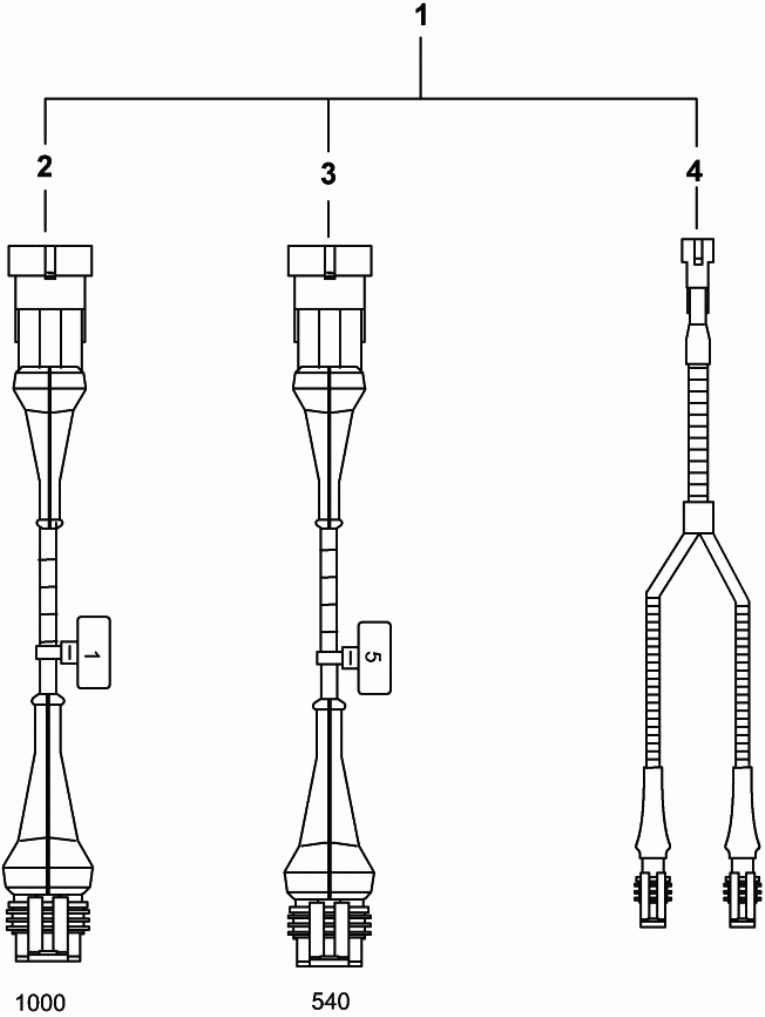
Fig.	Code	QTY	Name
1	0.014.1643.4	1	wire
2	0.900.0527.3	1	wire
3	0.900.0527.4	1	wire



0_014_1643_4

Section: PARTS
ELECTRICAL SYSTEM

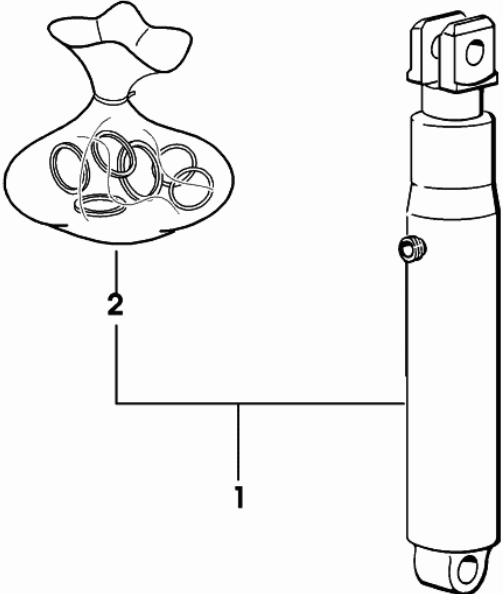
Fig.	Code	QTY	Name
1	0.014.1644.4	1	wire
2	0.900.0527.0	1	wire
3	0.900.0527.1	1	wire
4	0.900.0527.2	1	wire



0_014_1644_4

Section: PARTS
HYDRAULIC CYLINDER

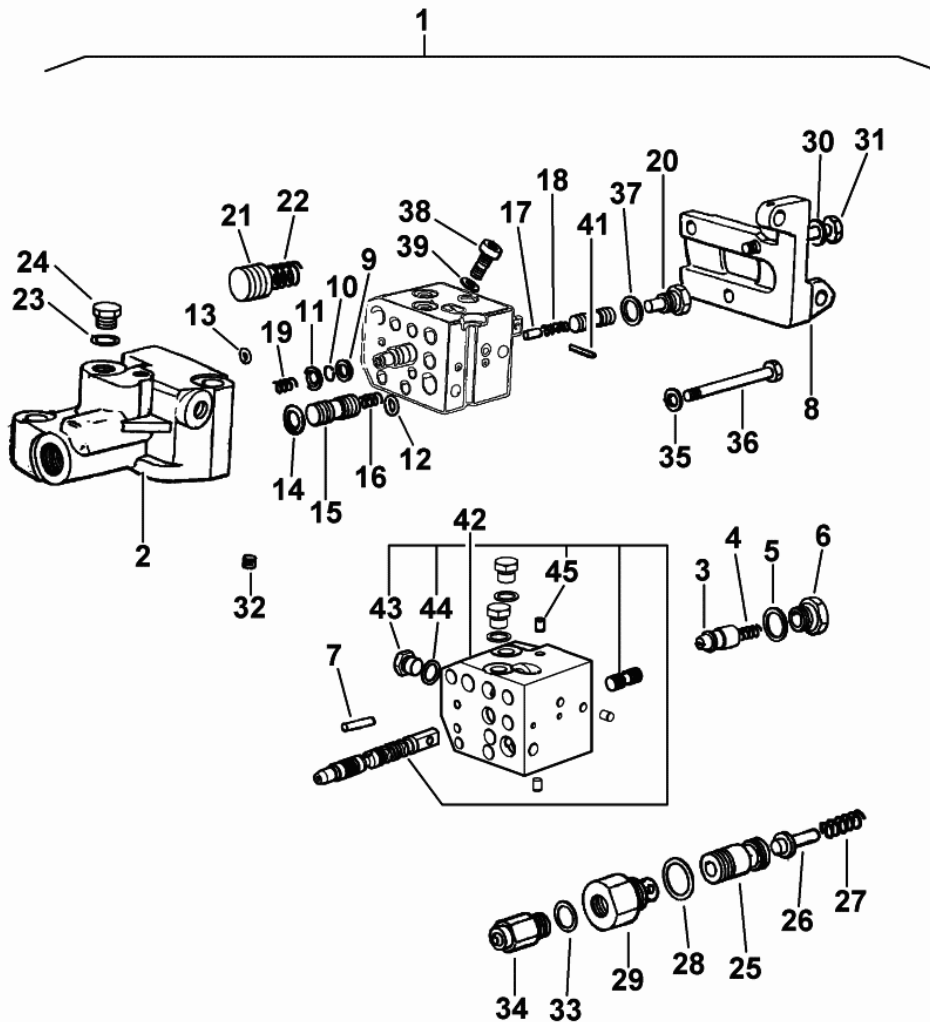
Fig.	Code	QTY	Name
1	0.98601.10.4/10	-	jack mm 42
2	0.009.4325.2	-	gasket set



0_98601_10_4_10

Section: PARTS
DISTRIBUTOR

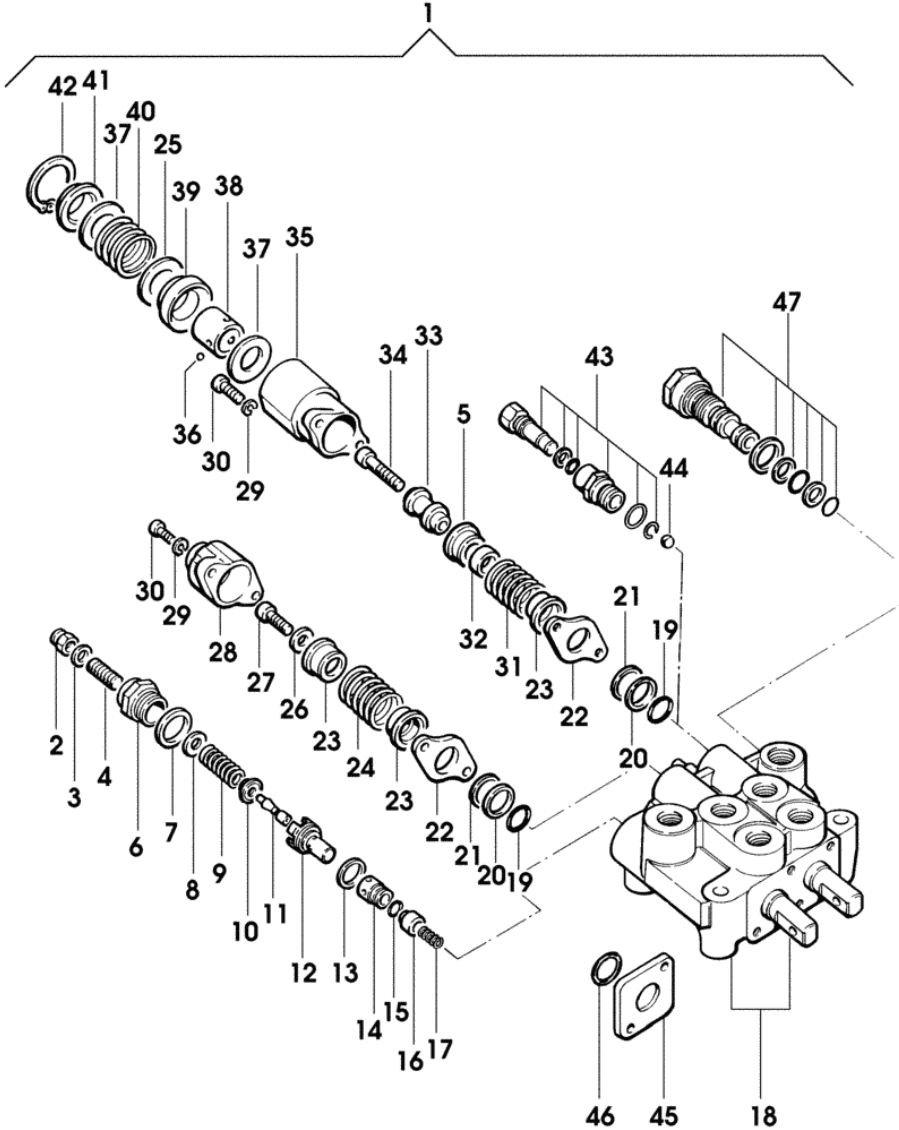
Fig.	Code	QTY	Name
1	0.9087.420.4/30	1	distributor
2	0.006.6463.0	1	body
3	0.9087.452.3/10	1	valve
4	2.4019.257.1	1	spring 8.8x25x1.1
5	2.1560.011.0	1	gasket 16.2x20
6	2.3199.062.0	1	plug
7	0.9087.450.0/20	1	stem
8	0.9087.427.0	1	bracket
9	0.9087.456.0	1	washer
10	2.1420.002.0	1	circlip a 8
11	0.9087.455.0	1	ring
12	2.1531.026.0	2	ring 11.11x1.78
13	2.1531.009.0	1	ring 5.28x1.78
14	2.1531.033.0	1	ring 13.11x2.62
15	0.9087.457.0/10	1	valve
16	2.4019.256.1	1	spring 7.8x54x1.4
17	2.1699.155.0	1	pin 5x11.5
18	2.4019.258.1	1	spring 7.8x25.5x0.9
19	2.4019.259.1/10	1	spring 10.3x111.5x1.1
20	2.3199.061.2	1	plug m 10 p.1
21	0.9087.451.0/20	1	small piston
22	2.4019.257.1	1	spring 8.8x25x1.1
23	2.1560.008.0	2	gasket 12.2x18
24	2.3110.422.7	2	plug m 12 p.1.25x10
25	0.009.2171.0	1	small piston
26	0.9107.453.0	1	pin
27	2.4019.306.0	1	spring 9.5x57.3x1.2
28	2.1560.015.0	1	gasket 20.2x24
29	0.9107.454.0	1	plug
30	2.1470.004.2	3	lock washer 8
31	2.0112.225.2	3	screw m 8 p.1.25x80
32	2.0512.101.7	1	grain m 6 p.1x6
33	2.1560.010.0	1	gasket 14.2x20
34	0.9087.464.3	1	valve
35	2.1470.002.2	1	lock washer 6
36	2.0112.021.1	1	screw m 6 p.1x60
37	2.1569.095.0	1	gasket 10.4x14x1.2
38	0.9087.463.3/20	1	screw
39	2.1560.003.0	1	gasket 8.2x12
41	2.1631.307.0	1	roll pin 4x16
42	0.9087.420.3/70	1	distributor
43	2.3110.401.1	3	plug m 10 P.1X8
44	2.1560.005.0	3	gasket 10.2x14
45	2.1890.002.2	4	expansion plug



0_9087_420_4_30

Section: PARTS
HYDRAULIC DISTRIBUTOR-PARTS

Fig.	Code	QTY	Name
1	2.3719.530.0	1	distributor 4 - float
2	0.009.4186.0	1	cap nut m 6
3	0.98282.76.0	1	washer
4	0.009.4460.1	1	register m 6x30
5	0.98281.90.0	1	cup
6	0.009.4460.2	1	plug
7	2.1560.015.0	1	gasket 20.2x24
8	0.9032.081.0	1	washer
9	0.9032.077.0	1	nut m 8
10	0.98282.73.0	1	spacer
11	0.9032.064.0	1	valve seat
12	0.9032.063.0	1	valve seat
13	0.9032.065.0	1	'o' ring
14	0.009.4178.1	1	valve seat
15	2.1530.019.0	1	'o' ring 9.25x1.78
16	0.009.4179.1	1	valve seat
17	0.009.4180.1	1	spring
18	0.000.0000.1	0	not serviceable
19	2.1530.038.0	4	'o' ring 15.54x2.62
20	0.98282.62.0	2	'o' ring
21	0.9032.061.0	2	washer
22	0.9032.058.0	2	shim
23	0.9032.056.0	3	cup
24	0.009.4181.1	1	spring
25	0.009.4186.1	2	shim
26	2.1310.003.2	1	flat washer 7.4x14
27	0.9032.055.0	1	screw m 7x16
28	0.9032.054.0	1	cover
29	2.1470.001.2	4	lock washer 5
30	2.0312.006.1	4	screw m 5 p.0.8x20
31	0.98281.89.0	1	spring
32	0.98281.91.0	1	spacer
33	0.009.4466.0	1	valve seat
34	0.98281.95.0	1	screw m 7x40
35	0.009.4466.1	1	sleeve
36	2.2999.087.0	6	ball 3/16"
37	0.98281.96.0	2	washer
38	0.98281.85.0	1	sleeve
39	0.98281.92.0	1	guide
40	0.98281.88.0	1	spring
41	0.98281.94.0	1	cup
42	0.98282.60.0	1	circlip
43	0.009.4185.1	1	reductions
44	2.2810.009.0	1	ball mm 11.906

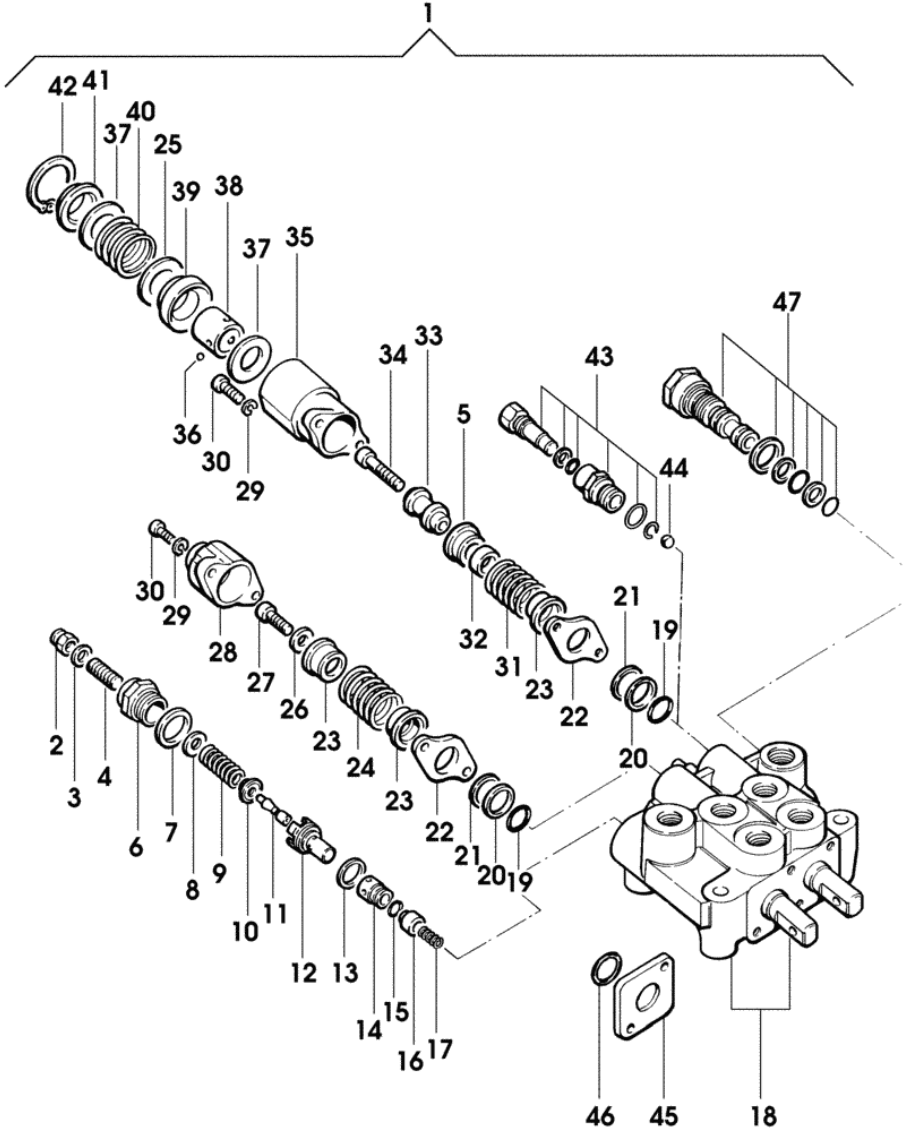


2_3719_530_0

Section: PARTS

HYDRAULIC DISTRIBUTOR-PARTS

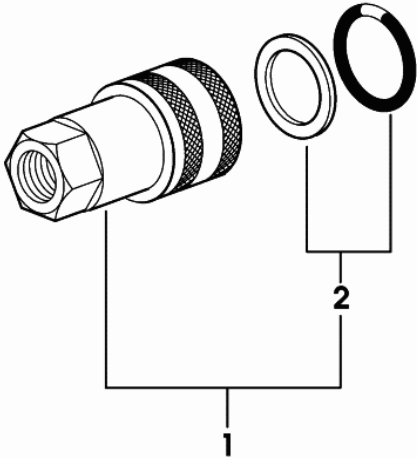
Fig.	Code	QTY	Name
45	0.009.4462.2	1	shim
46	2.1530.044.0	1	'o' ring 17.17x1.78
47	0.009.4177.1	1	accessories



2_3719_530_0

Section: PARTS
ENGAGEMENT

Fig.	Code	QTY	Name
1	0.98308.50.3/10	1	coupling
2	04438079	1	seal ring kit

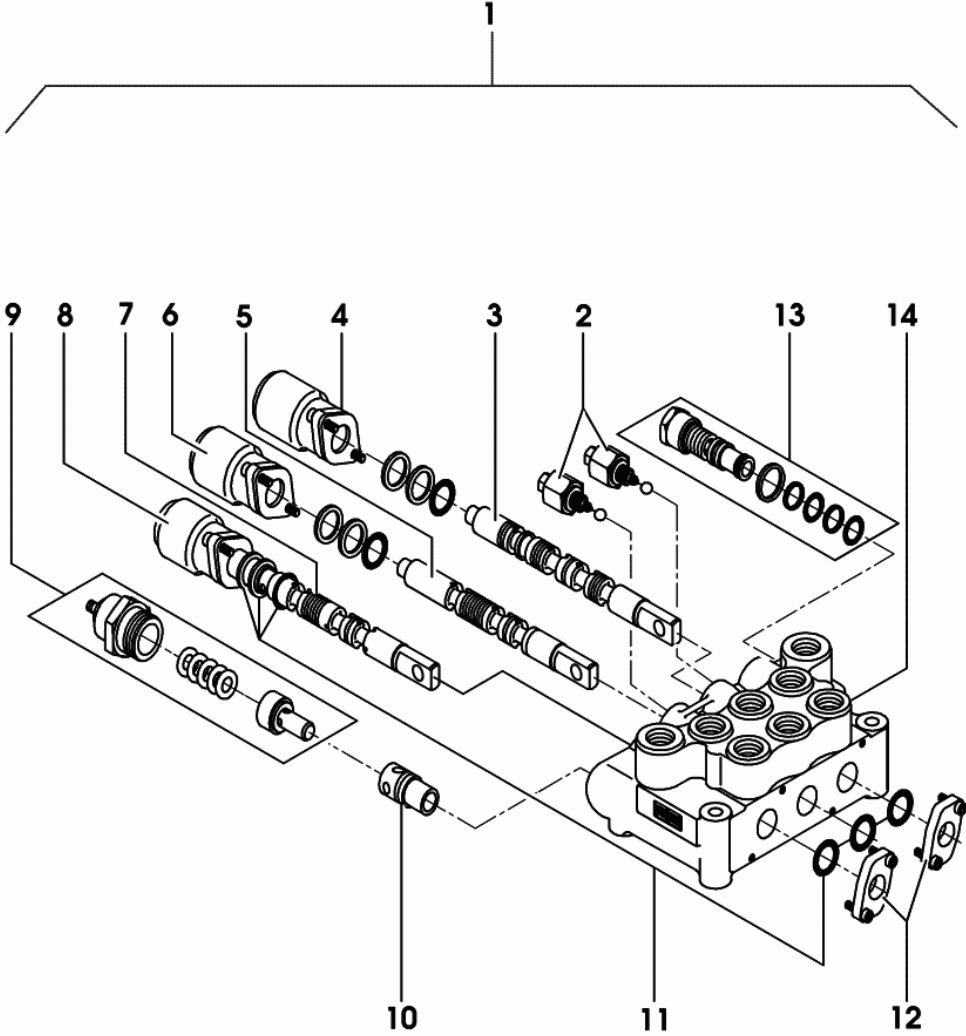


0_98308_50_3_10

Section: PARTS

HYDRAULIC DISTRIBUTOR-PARTS

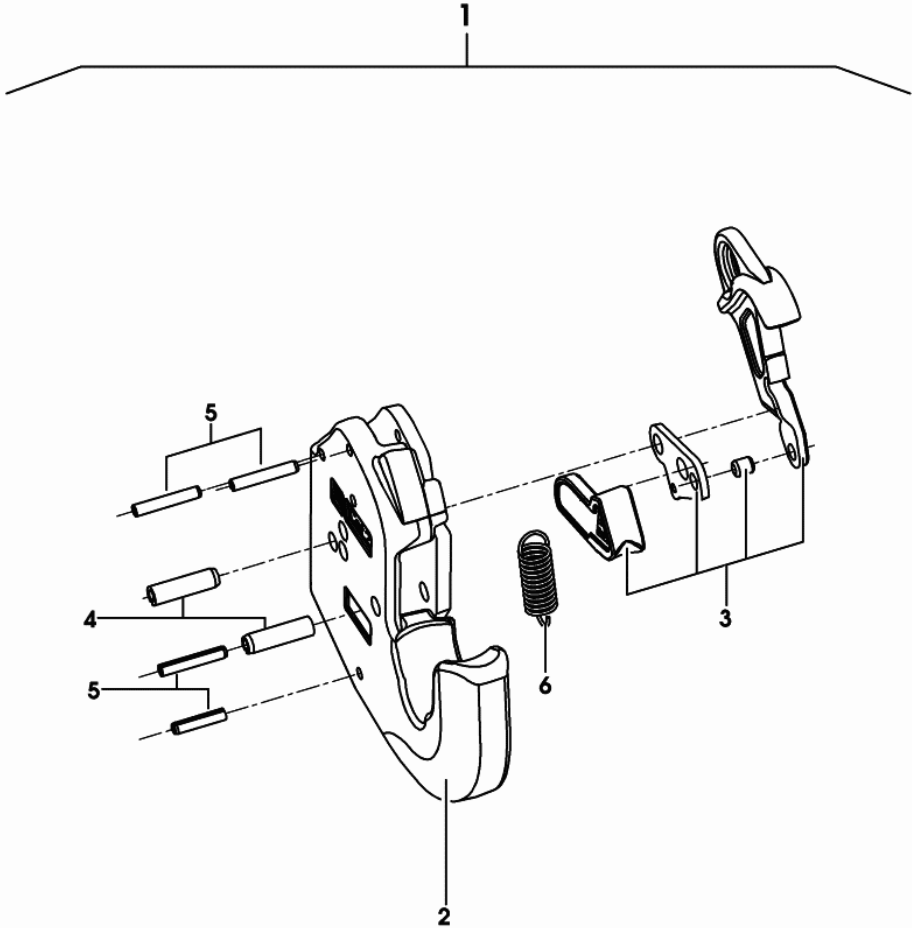
Fig.	Code	QTY	Name
1	0.009.2007.4/10	1	distributor
2	0.010.2176.2	2	valve
3	0.900.0391.2	1	slider
4	0.010.3985.0	1	small cap
5	0.900.0391.3	1	slider
6	0.900.0391.4	1	small cap
7	0.900.0391.5	1	slider
8	0.900.0391.6	1	small cap
9	0.010.2178.1	1	valve
10	0.010.3982.2	1	valve
11	0.010.2175.0	3	gasket set
12	0.900.0391.7	2	shim
13	0.900.0391.8	1	plug
14	0.000.0000.1	0	not serviceable



0_009_2007_4_10

Section: PARTS
TOWING HITCH

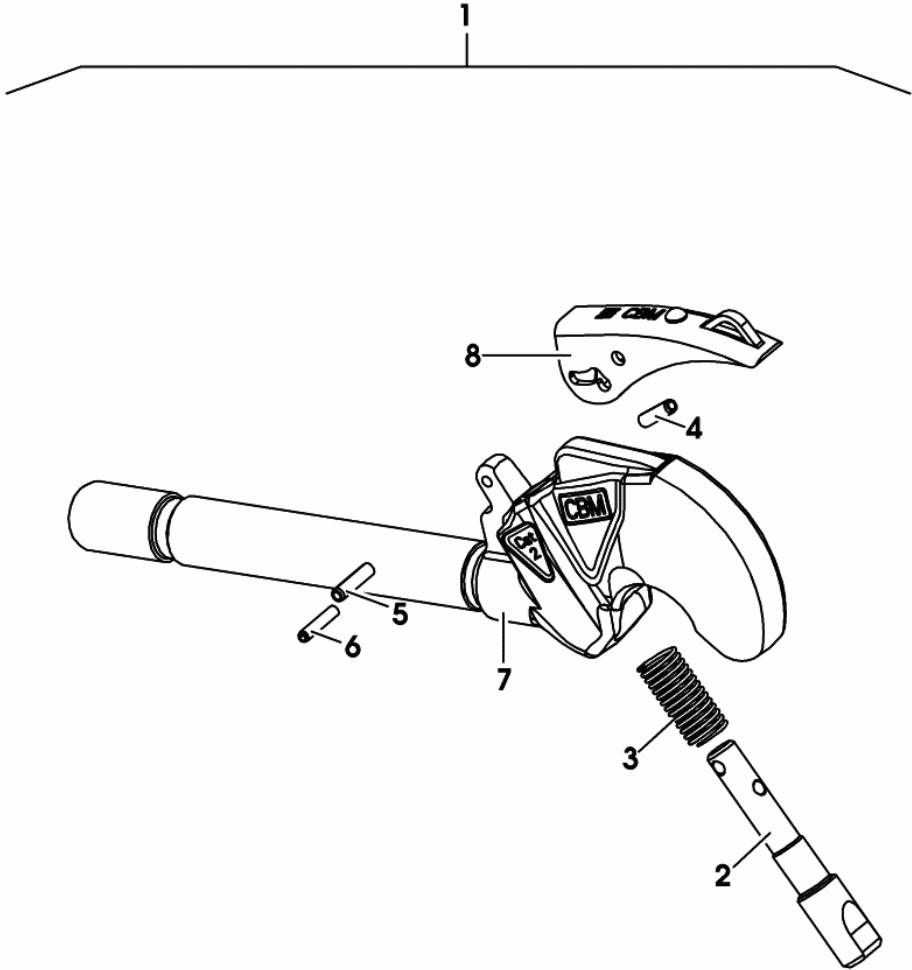
Fig.	Code	QTY	Name
1	0.014.1420.3	1	automatic hook 2 cat.-CBM-
2	0.000.0000.1	1	not serviceable
3	0.900.0270.5	1	part set
4	0.900.0270.6	1	part set
5	0.900.0270.7	1	part set
6	0.900.0270.8	1	spring



0_014_1420_3

Section: PARTS
LINKAGE

Fig.	Code	QTY	Name
1	0.014.1405.3	1	rod cat. 2
2	04397651	1	pin
3	0.900.0070.6	1	spring
4	0.900.0070.7	1	roll pin
5	0.900.0070.8	1	roll pin
6	0.900.0070.9	1	roll pin
7	0.000.0000.1	0	not serviceable
8	04397652	1	lever

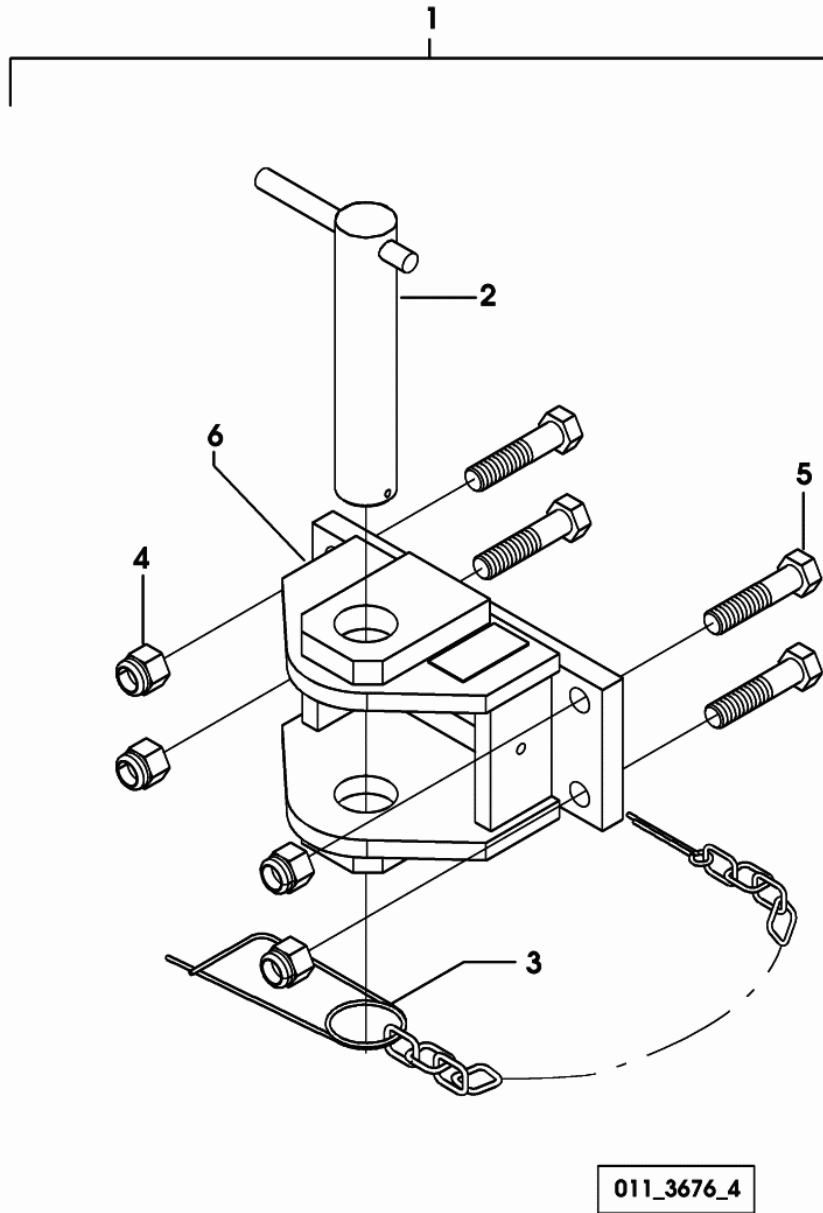


0_014_1405_3

Section: PARTS

REAR TOWING HITCH CAT: "D"

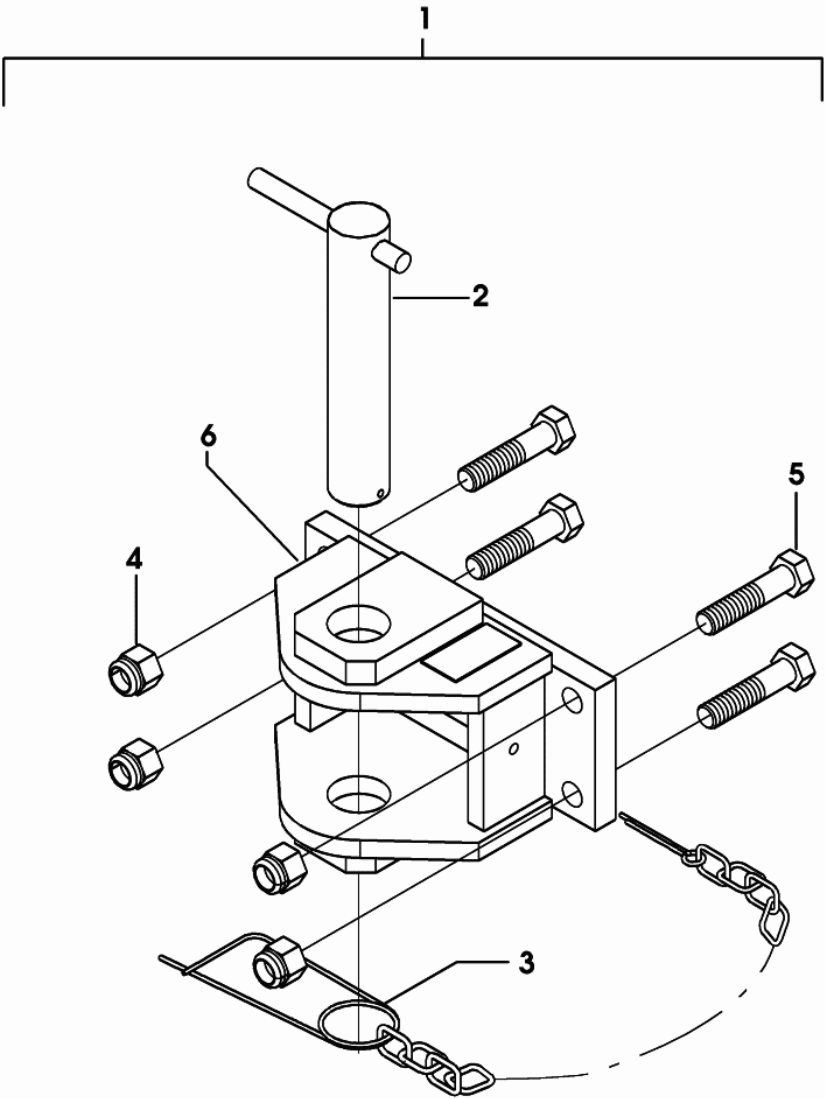
Fig.	Code	QTY	Name
1	0.011.3676.4	1	tow hook cat. D
2	0.010.2986.0	1	pin
3	0.010.2985.1	1	piston pin
4	0.010.2842.1	4	nut m 18
5	0.010.2842.0	4	screw m 18x80
6	0.010.2996.2	1	clevis



Section: PARTS

REAR TOWING HITCH CAT: "D2"

Fig.	Code	QTY	Name
1	0.011.5643.4	1	clevis cat. D2
2	0.010.2985.0	1	pin
3	0.010.2985.1	1	piston pin
4	0.010.2842.1	4	nut m 18
5	0.010.2842.0	4	screw m 18x80
6	0.010.2995.2	1	clevis



011_5643_4

Section: PARTS

REAR TOWING HITCH CAT: "C"

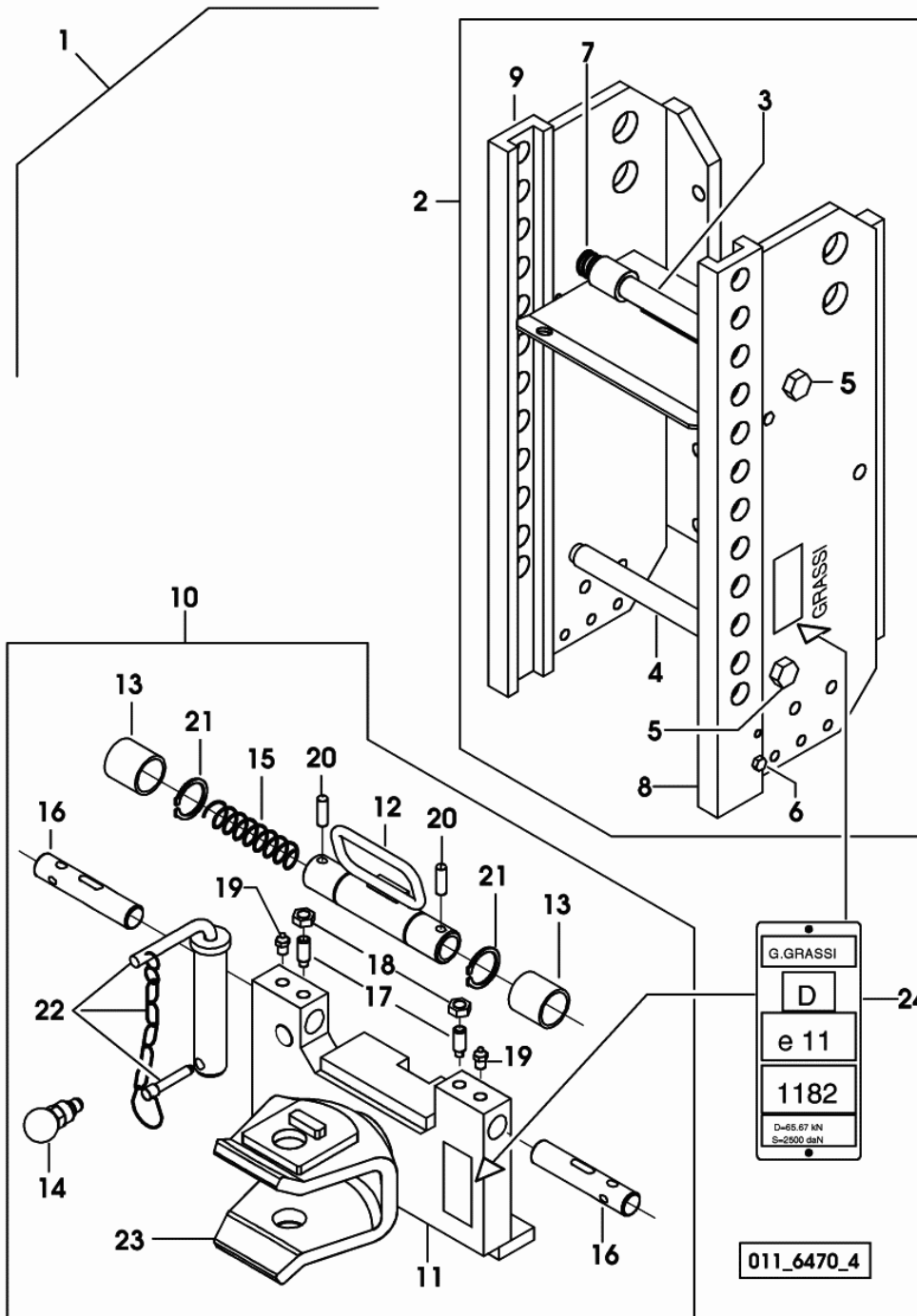
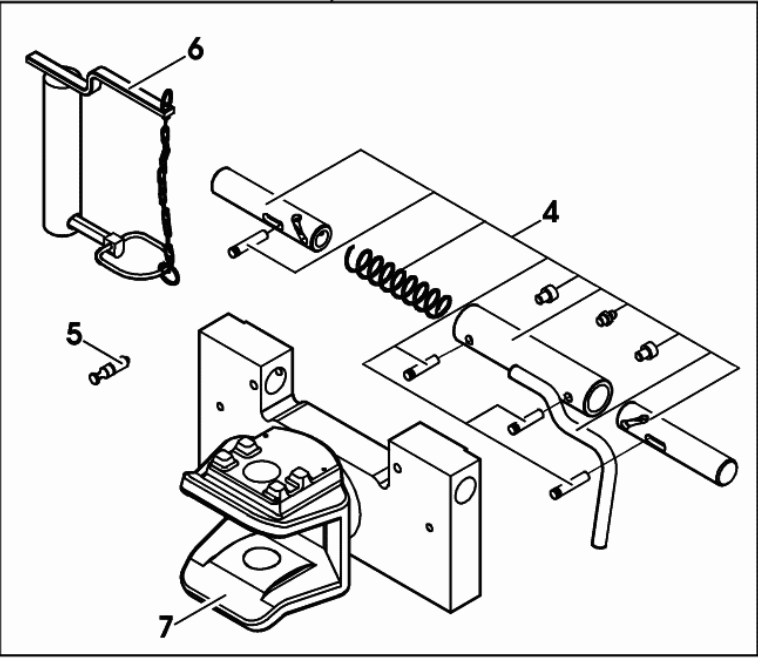
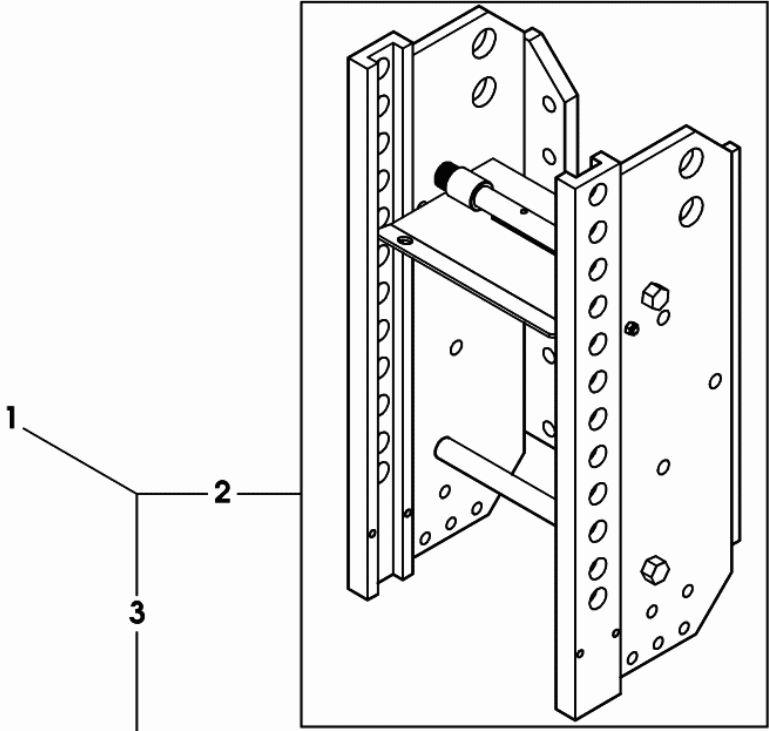


Fig.	Code	QTY	Name
1	0.011.6470.4	1	tow hook CEE
2	0.010.2997.0	1	chassis frame
3	0.010.2992.0	1	shield
4	0.010.2992.1	1	rod
5	0.010.2835.2	4	screw m 16x40
6	0.010.2836.0	3	screw m 8x45
7	0.010.2992.2	1	spring
8	0.010.2997.1	1	guide dx
9	0.010.2997.2	1	guide sx
10	0.010.2990.0	1	support L = mm 320
11	0.010.2990.1	1	support
12	0.010.2837.2	1	tube
13	0.010.2838.0	2	sleeve
14	0.010.2838.1	1	stop
15	0.010.2838.2	2	spring
16	0.010.2989.1	1	pin 25
17	0.010.2839.1	2	grain m 12x25 PP
18	0.010.2839.2	2	nut m 12
19	0.010.2840.0	2	lubricator m 10
20	0.010.2840.1	2	pin 10x35
21	0.010.2840.2	2	circlip 35
22	0.010.2990.2	1	pin
23	0.010.2991.0	1	clevis
24	0.010.2991.1	1	plate CEE

Section: PARTS
DRAWBAR COUPLING

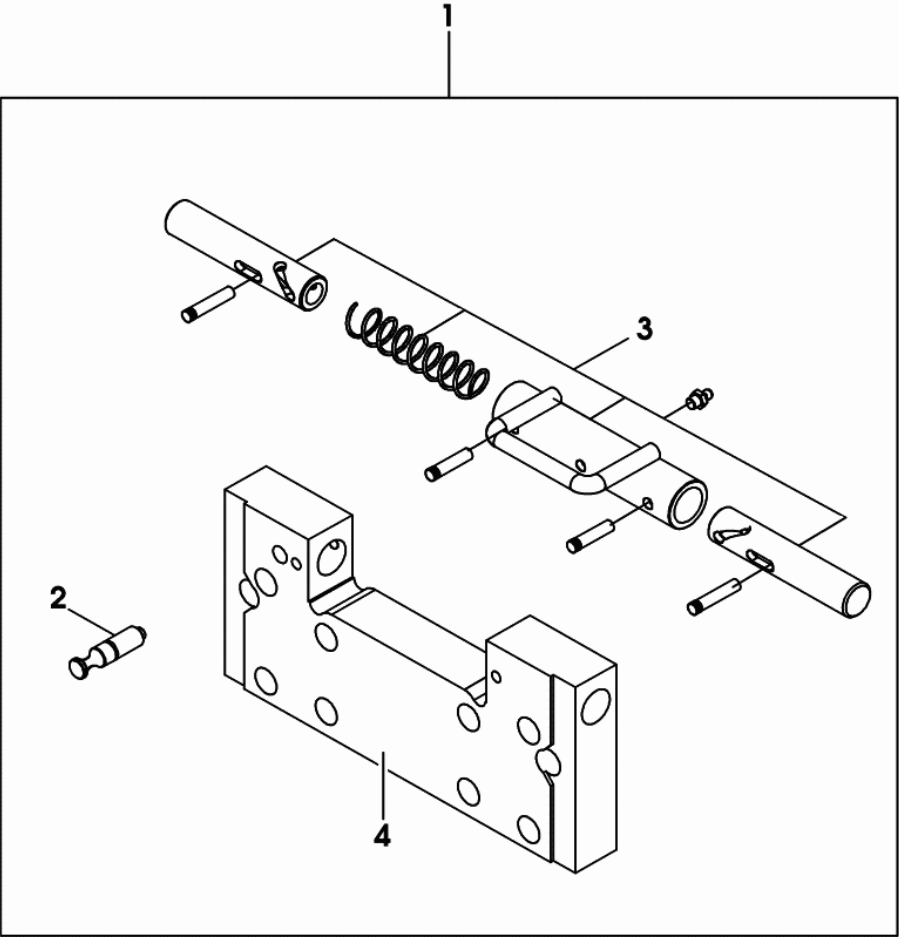
Fig.	Code	QTY	Name
1	0.011.6470.4/10	1	tow hook CEE
2	0.900.0387.8	1	chassis frame
3	0.900.0387.9	1	chassis frame
4	0.900.0307.0	1	part set
5	0.900.0307.1	1	smau pin
6	0.900.0388.0	1	pin
7	0.000.0000.1	0	not serviceable



0_011_6470_4_10

Section: PARTS
SLIDE mm 320

Fig.	Code	QTY	Name
1	0.014.4485.3	1	plate
2	0.900.0457.1	1	smau pin
3	0.900.0458.5	1	part set
4	0.000.0000.1	0	not serviceable



0_014_4485_3

Section: PARTS

REAR TOWING HITCH CAT: "C"

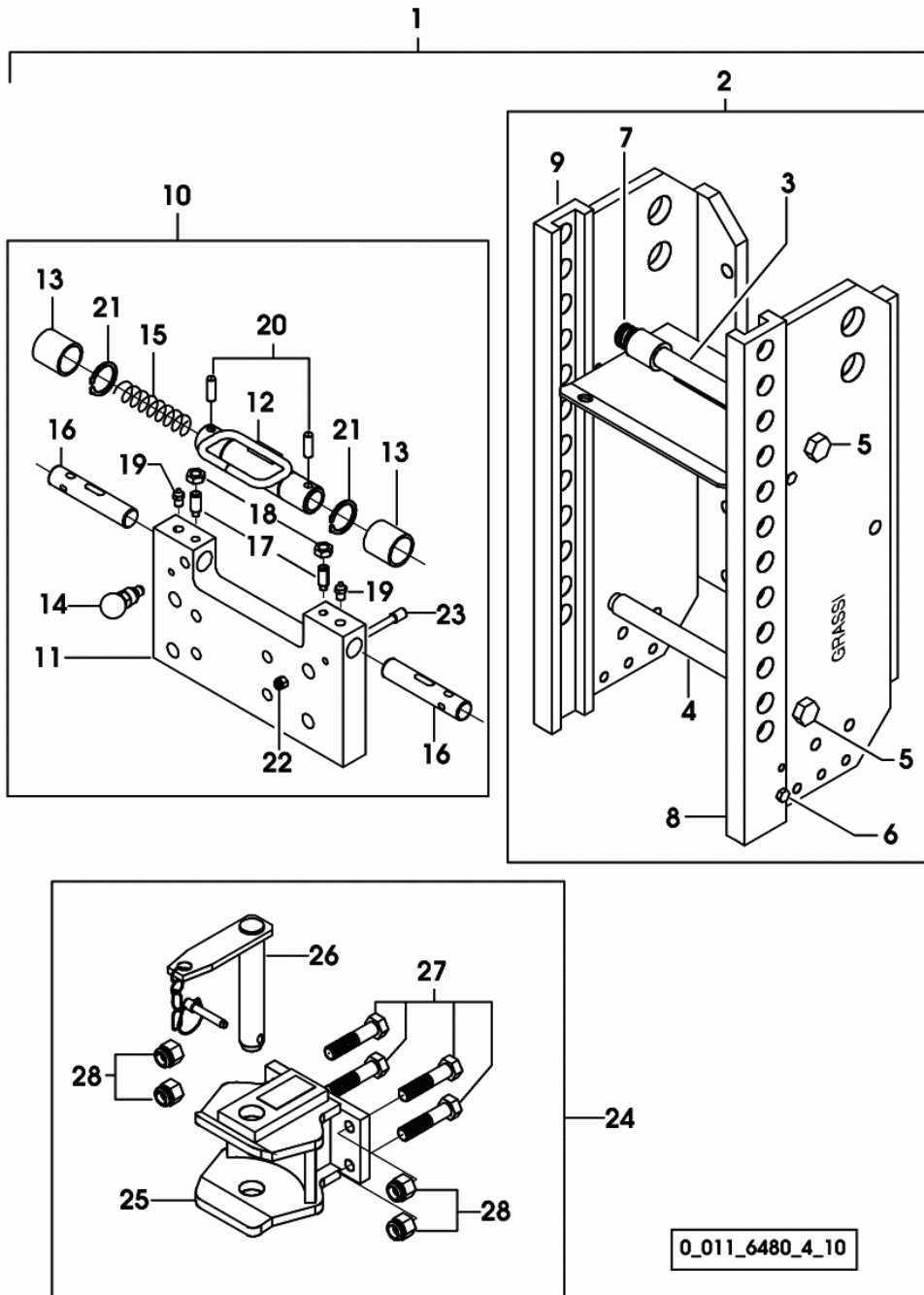


Fig.	Code	QTY	Name
1	0.011.6480.4/10	1	tow hook CUNA - cat. C
2	0.010.2997.0	1	chassis frame
3	0.010.2992.0	1	shield
4	0.010.2992.1	1	rod
5	0.010.2835.2	4	screw m 16x40
6	0.010.2836.0	3	screw m 8x45
7	0.010.2992.2	1	spring
8	0.010.2997.1	1	guide dx
9	0.010.2997.2	1	guide sx
10	0.010.2993.2	1	support L = mm 320
11	0.000.0000.1	-	not serviceable
12	0.010.2837.2	1	tube
13	0.010.2838.0	2	sleeve
14	0.010.2838.1	1	stop
15	0.010.2838.2	2	spring
16	0.010.2989.1	1	pin 25
17	0.010.2839.1	2	grain m 12x25 PP
18	0.010.2839.2	2	nut m 12
19	0.010.2840.0	2	lubricator m 10
20	0.010.2840.1	2	pin 10x35
21	0.010.2840.2	2	circlip 35
22	0.010.2841.0	1	nut m 8
23	0.010.2836.0	1	screw m 8x45
24	0.010.2994.1	1	clevis
25	0.010.2994.2	1	clevis
26	0.010.2841.2	1	pin cat. C
27	0.010.2995.0	4	screw m 14x70
28	0.010.2995.1	4	nut m 14

Section: PARTS

DRAWBAR COUPLING

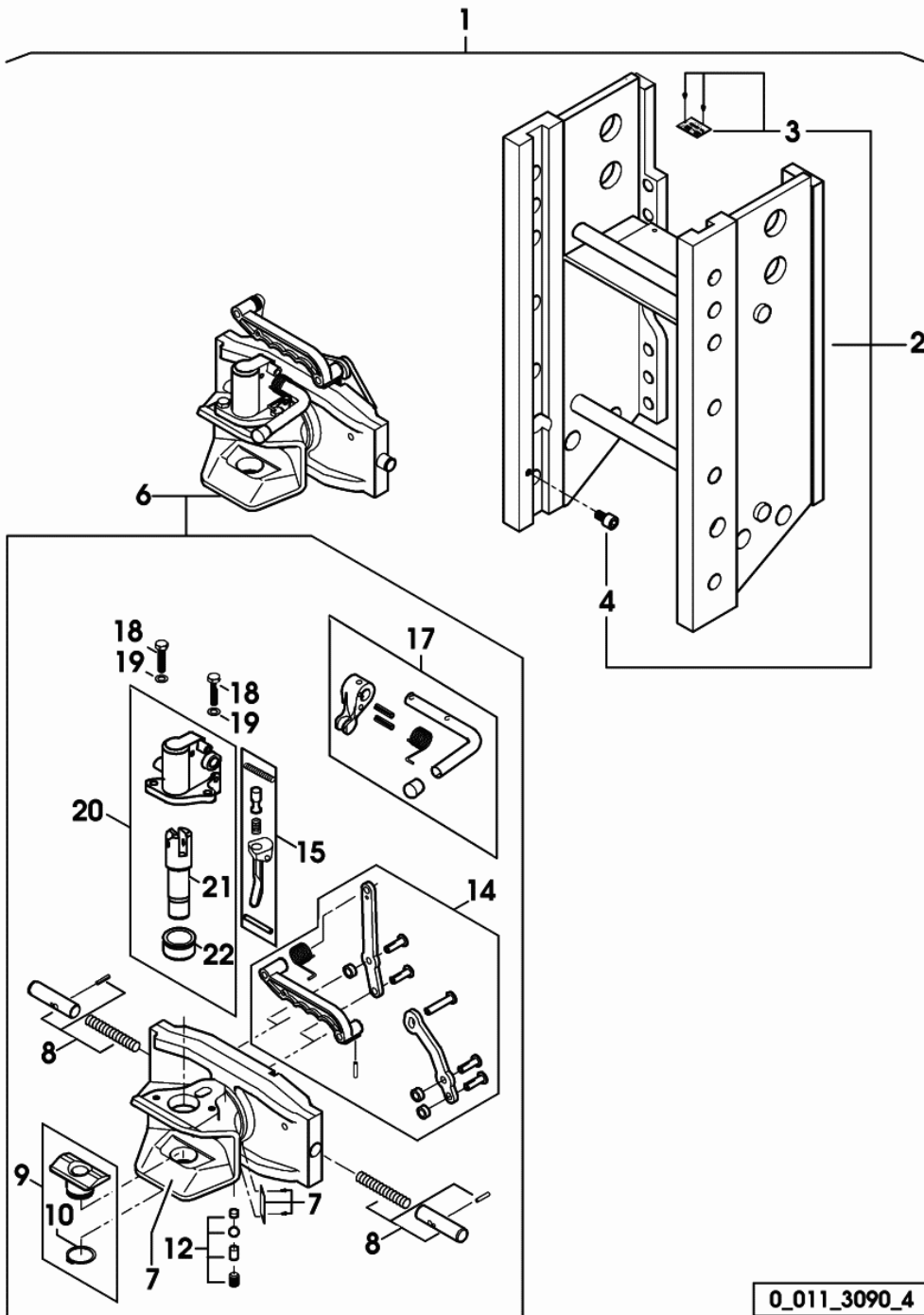


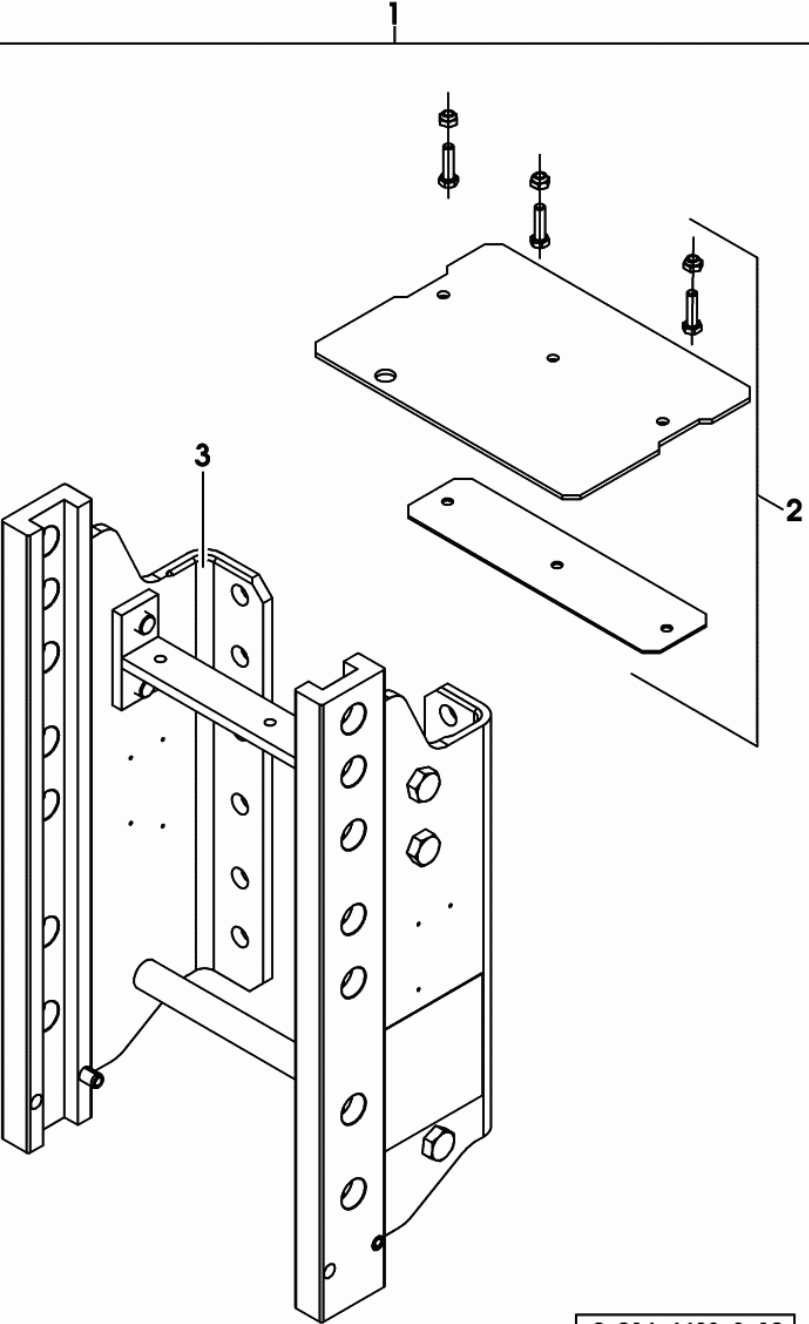
Fig.	Code	QTY	Name
1	0.011.3090.4	1	tow hook CRAMER
2	0.000.0000.1	1	not serviceable
3	0.900.0372.8	1	plate
4	0.900.0372.2	1	screw
6	0.900.0077.3	1	clevis mm 38
7	0.000.0000.1	0	not serviceable
8	04432938.4	2	part set
9	04337124	1	pin
10	01137321	1	ring 40x2,5 d471
12	0.010.3587.1	1	cap
14	04432942.4	1	lever
15	0.900.0129.8	1	spacer
17	0.900.0129.9	1	lever
18	01112451	2	screw m10x45 d933
19	01107268	2	spring washer
20	0.900.0296.9	1	head mm 38
21	0.900.0296.8	1	pin mm 38
22	0.900.0296.7	1	sleeve mm 38

0_011_3090_4

Section: PARTS

TRAILER STAND - DRAWBAR COUPLING

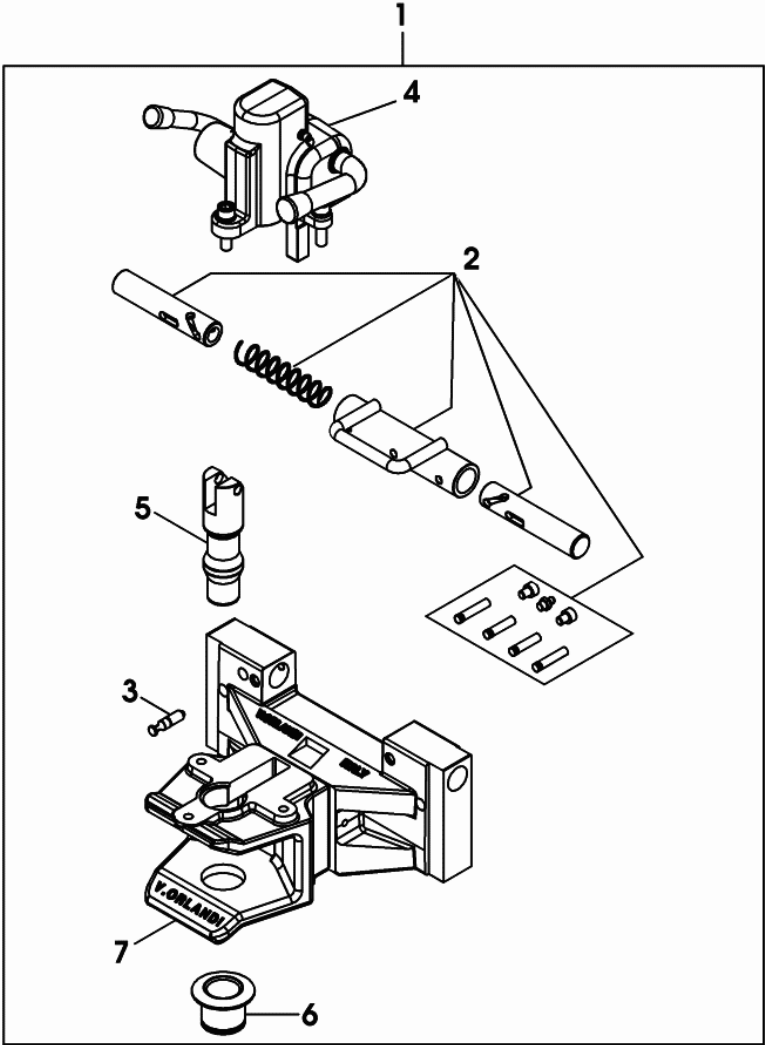
Fig.	Code	QTY	Name
1	0.014.4483.3/10	1	chassis frame
2	0.900.0458.6	1	shield
3	0.000.0000.1	0	not serviceable



0_014_4483_3_10

Section: PARTS
DRAWBAR COUPLING mm 38

Fig.	Code	QTY	Name
1	0.014.4449.3/20	1	tow hook
2	0.900.0307.0	1	part set
3	0.900.0307.1	1	smau pin
4	0.900.0307.3	1	head
5	0.900.0307.4	1	pin mm 38
6	0.900.0307.5	1	sleeve
7	0.000.0000.1	0	not serviceable

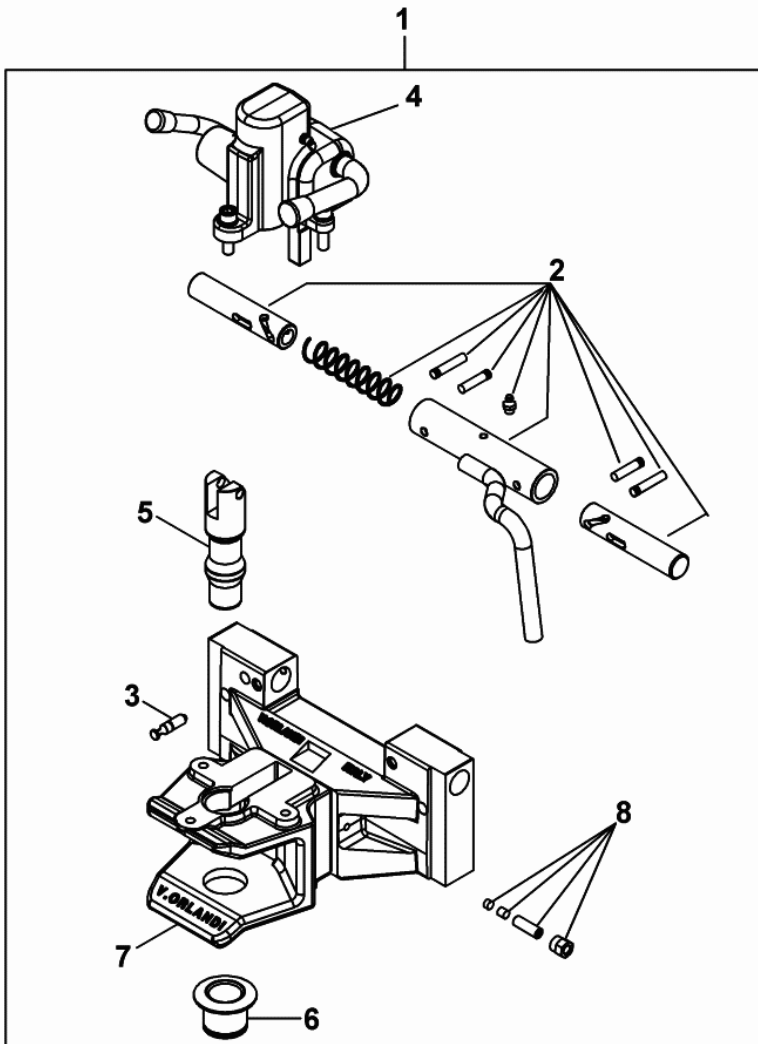


0_014_4449_3_20

Section: PARTS

DRAWBAR COUPLING mm 38

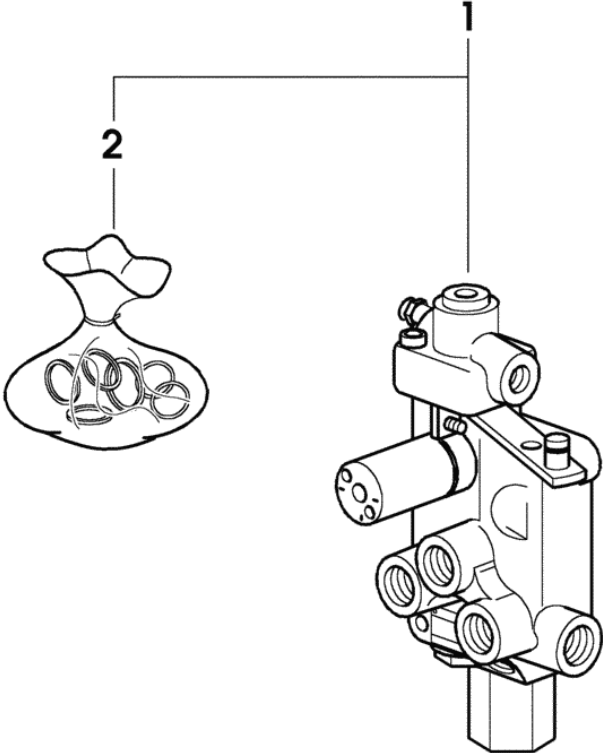
Fig.	Code	QTY	Name
1	0.014.4449.3/30	1	tow hook
2	0.900.0525.4	1	part set
3	0.900.0307.1	1	smau pin
4	0.900.0307.3	1	head
5	0.900.0307.4	1	pin mm 38
6	0.900.0307.5	1	sleeve
7	0.000.0000.1	0	not serviceable
8	0.900.0525.3	1	part set



0_014_4449_3_30

Section: PARTS
VALVE PARTS

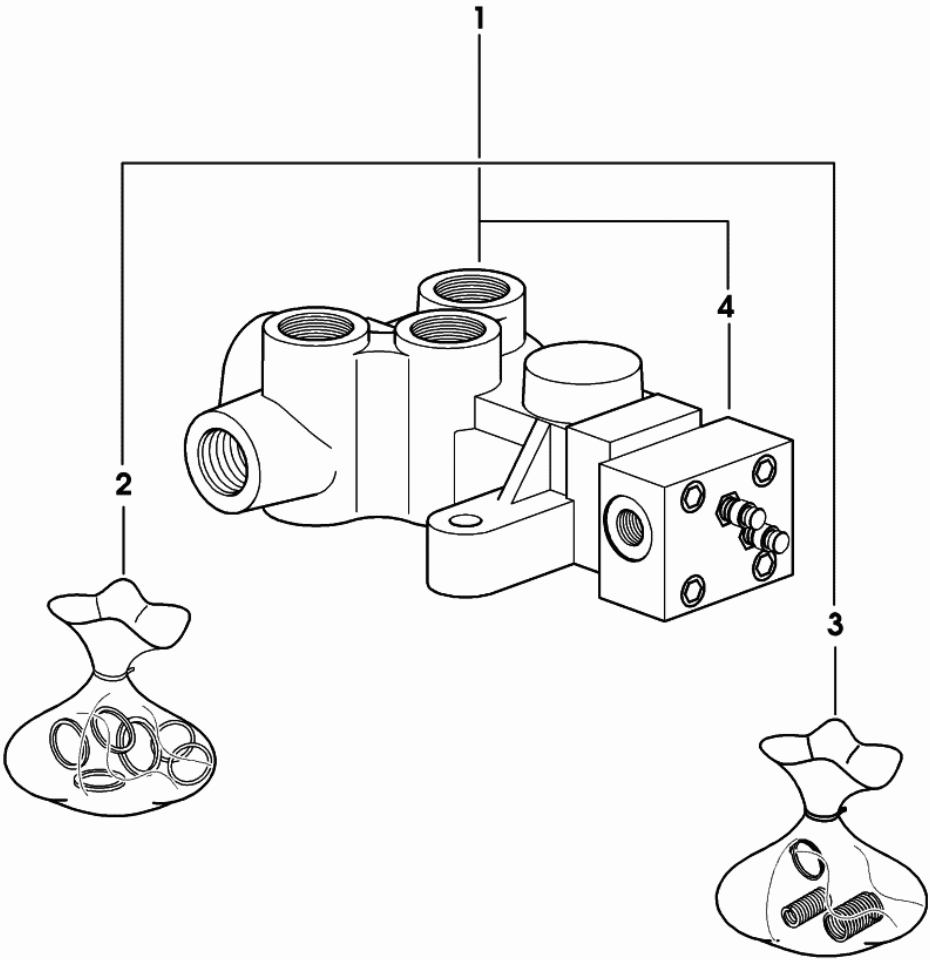
Fig.	Code	QTY	Name
1	2.3719.810.0/10	1	valve
2	0.009.4343.2	1	gasket set



2_3719_810_0_10

Section: PARTS
TRAILER BRAKE VALVE

Fig.	Code	QTY	Name
1	2.3719.550.0/40	1	valve
2	0.010.3493.1	1	gasket set
3	0.900.0040.2	1	spring
4	0.900.0040.3	1	small block



2_3719_550_0_40